



US00D531798S

(12) **United States Design Patent**
Ringo

(10) **Patent No.:** **US D531,798 S**

(45) **Date of Patent:** **** Nov. 14, 2006**

(54) **REUSABLE RETAIL DISPLAY AND STORAGE UNIT FOR ELECTRICAL COMPONENTS**

(75) Inventor: **Scott Andrew Ringo**, Euleless, TX (US)

(73) Assignee: **Dobbs-Stanford Corporation**, Dallas, TX (US)

(**) Term: **14 Years**

(21) Appl. No.: **29/227,950**

(22) Filed: **Apr. 15, 2005**

(51) **LOC (8) Cl.** **03-01**

(52) **U.S. Cl.** **D3/273; D3/294; D9/415**

(58) **Field of Classification Search** D3/273,
D3/269, 294, 905; D9/415, 423; 206/372,
206/373, 379, 461, 462, 463, 806

See application file for complete search history.

(56) **References Cited**

U.S. PATENT DOCUMENTS

2,893,771	A	7/1959	Claud-Mantle	
3,024,940	A	3/1962	Meyer	
3,298,594	A	1/1967	Makowski et al.	
3,410,391	A	11/1968	Kanter	
3,416,701	A	12/1968	Kramer et al.	
3,499,525	A	3/1970	Kanter	
3,737,067	A	6/1973	Palson	
3,767,110	A	10/1973	Congleton	
4,260,057	A	* 4/1981	Wall-Andersen	206/379
D270,617	S	* 9/1983	Skowronski et al.	D9/415
D276,024	S	* 10/1984	Skowronski et al.	D9/415
4,570,818	A	* 2/1986	Borst et al.	220/835
D287,467	S	* 12/1986	Mallon	D9/415

4,643,303	A	2/1987	Arp et al.	
4,687,129	A	* 8/1987	Cugley	220/315
D305,000	S	* 12/1989	Hernandez	D9/415
D309,430	S	* 7/1990	Cramer	D9/415
5,065,885	A	11/1991	Scaroni	
D331,361	S	* 12/1992	Langolf	D9/415
5,507,385	A	4/1996	Koloski et al.	
D402,105	S	12/1998	Erickson	
5,904,269	A	5/1999	Wolff	
D411,448	S	* 6/1999	Baker	D9/415
D414,606	S	10/1999	Sun	
D427,769	S	7/2000	Zimmerman	
D446,713	S	* 8/2001	Adam	D9/415
D470,046	S	* 2/2003	Chao	D9/415
D489,530	S	5/2004	Lindsay	
6,793,096	B1	9/2004	Seok	

* cited by examiner

Primary Examiner—Philip S. Hyder

(74) *Attorney, Agent, or Firm*—Storm LLP; John G. Fischer

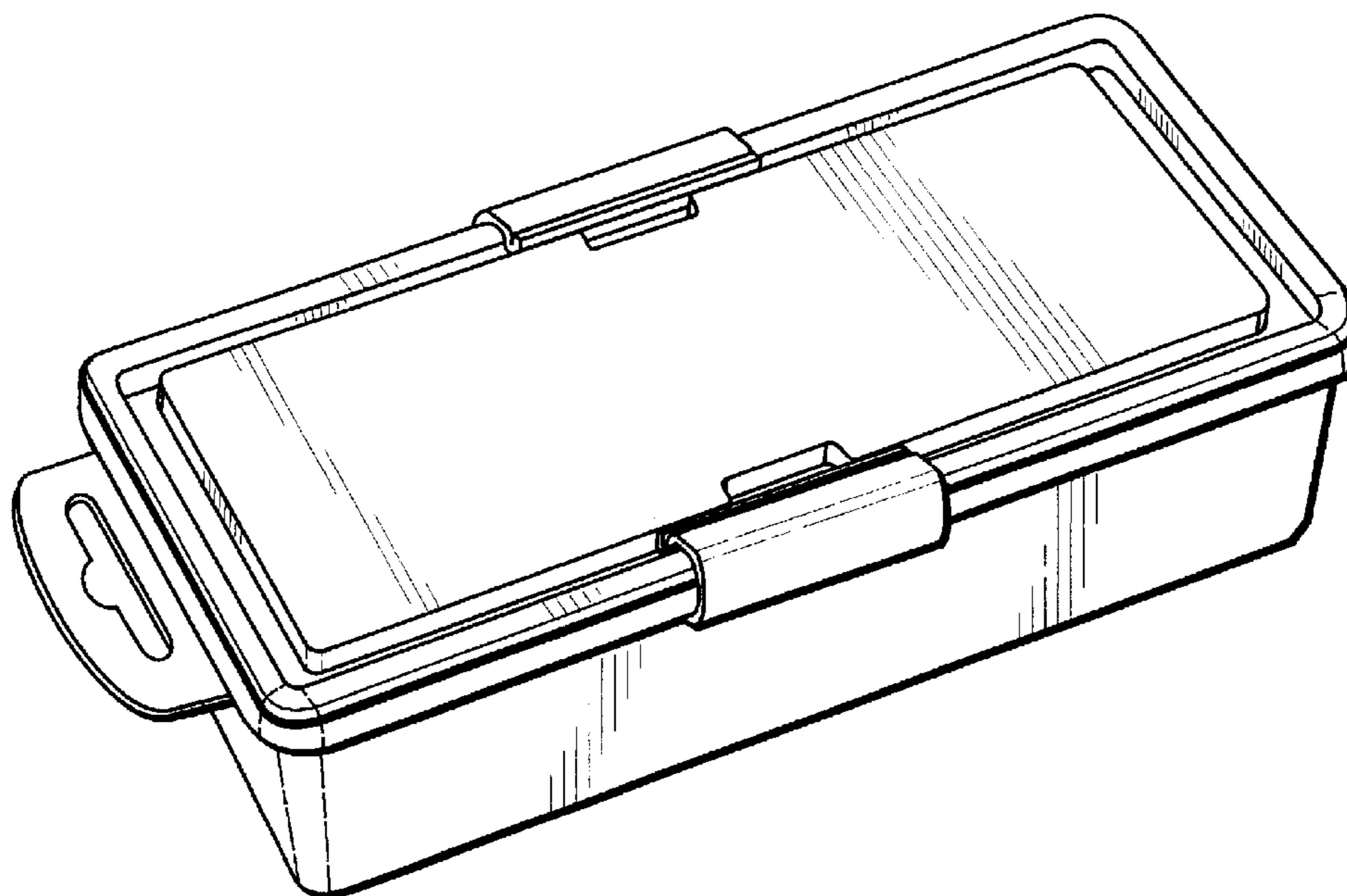
(57) **CLAIM**

The ornamental design for a reusable retail display and storage unit for electrical components, as shown and described.

DESCRIPTION

FIG. 1 is an isometric view thereof;
FIG. 2 is side view thereof;
FIG. 3 is a second side view thereof;
FIG. 4 is a front view thereof;
FIG. 5 is a rear view thereof;
FIG. 6 is a top view thereof; and,
FIG. 7 is a bottom view thereof.

1 Claim, 4 Drawing Sheets



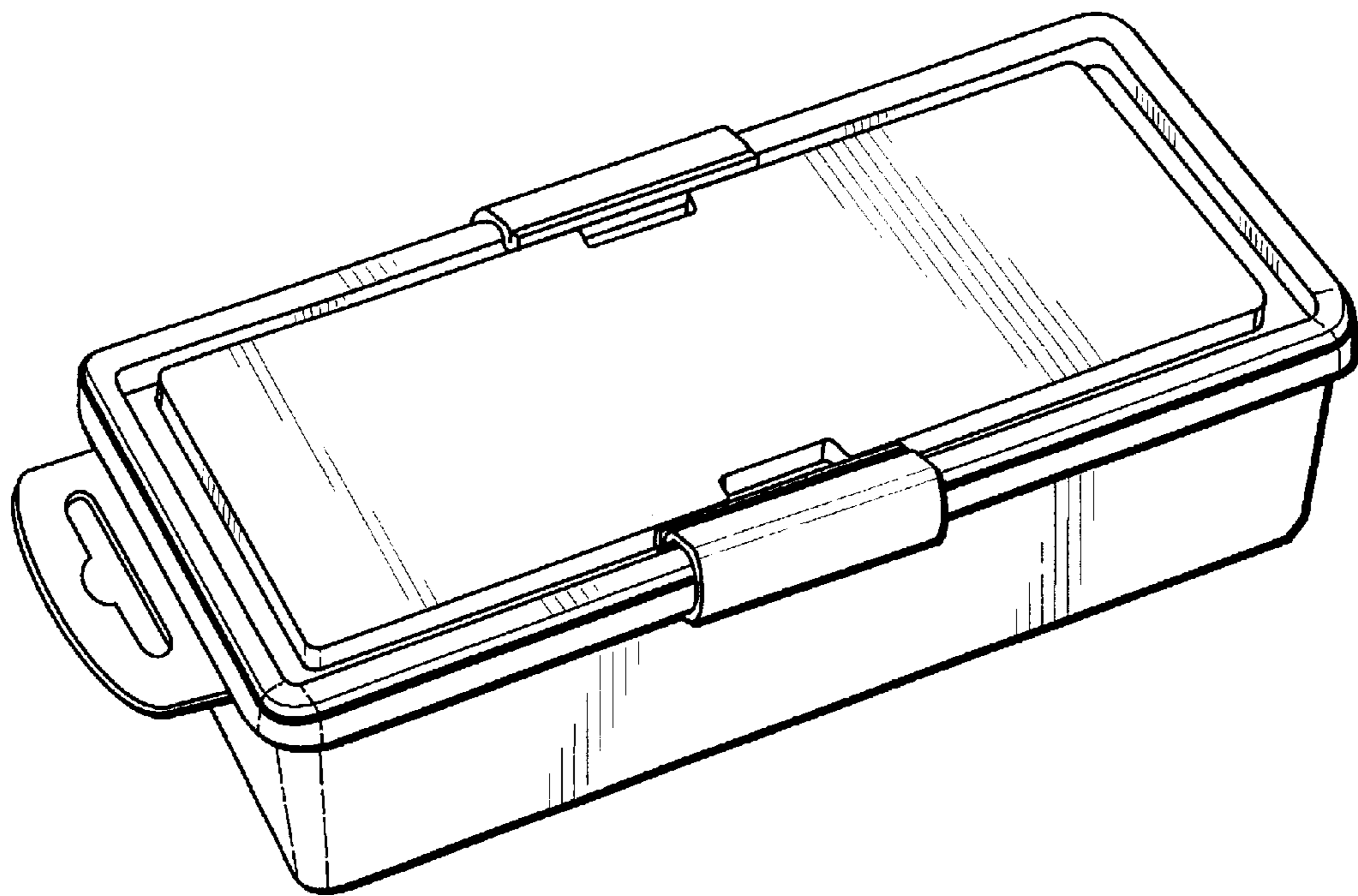


FIG. 1

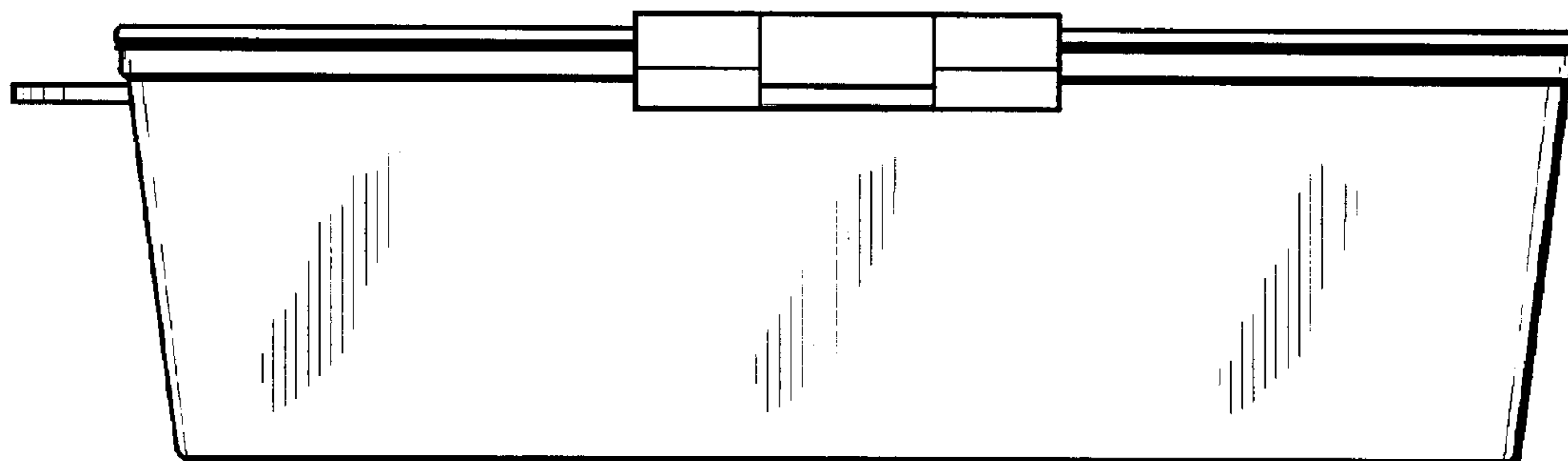


FIG. 2

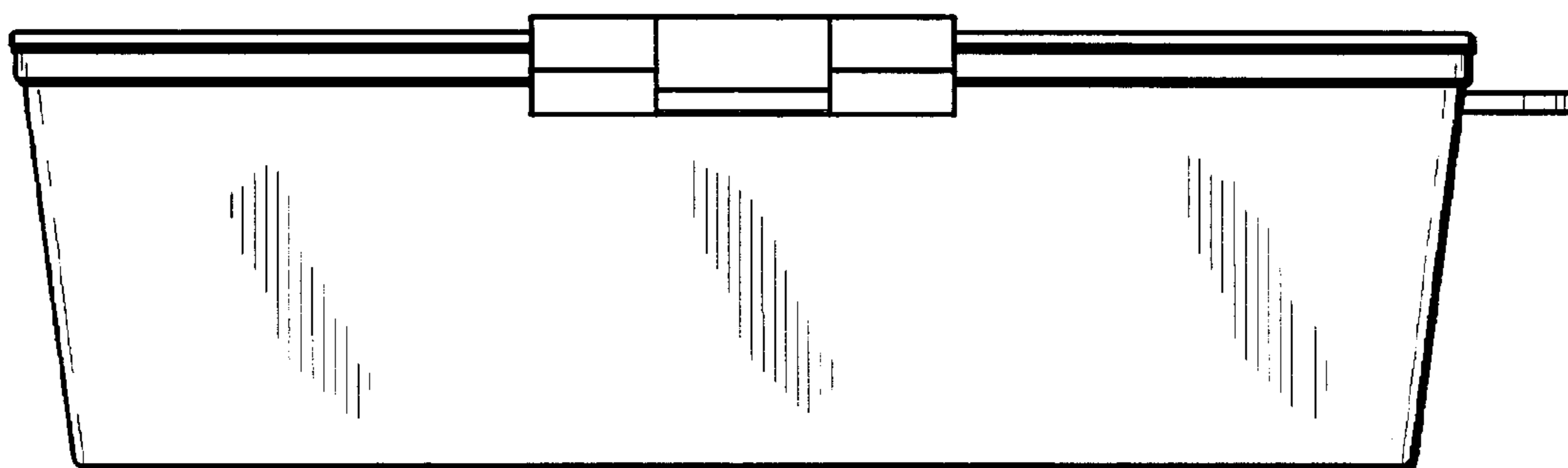


FIG. 3

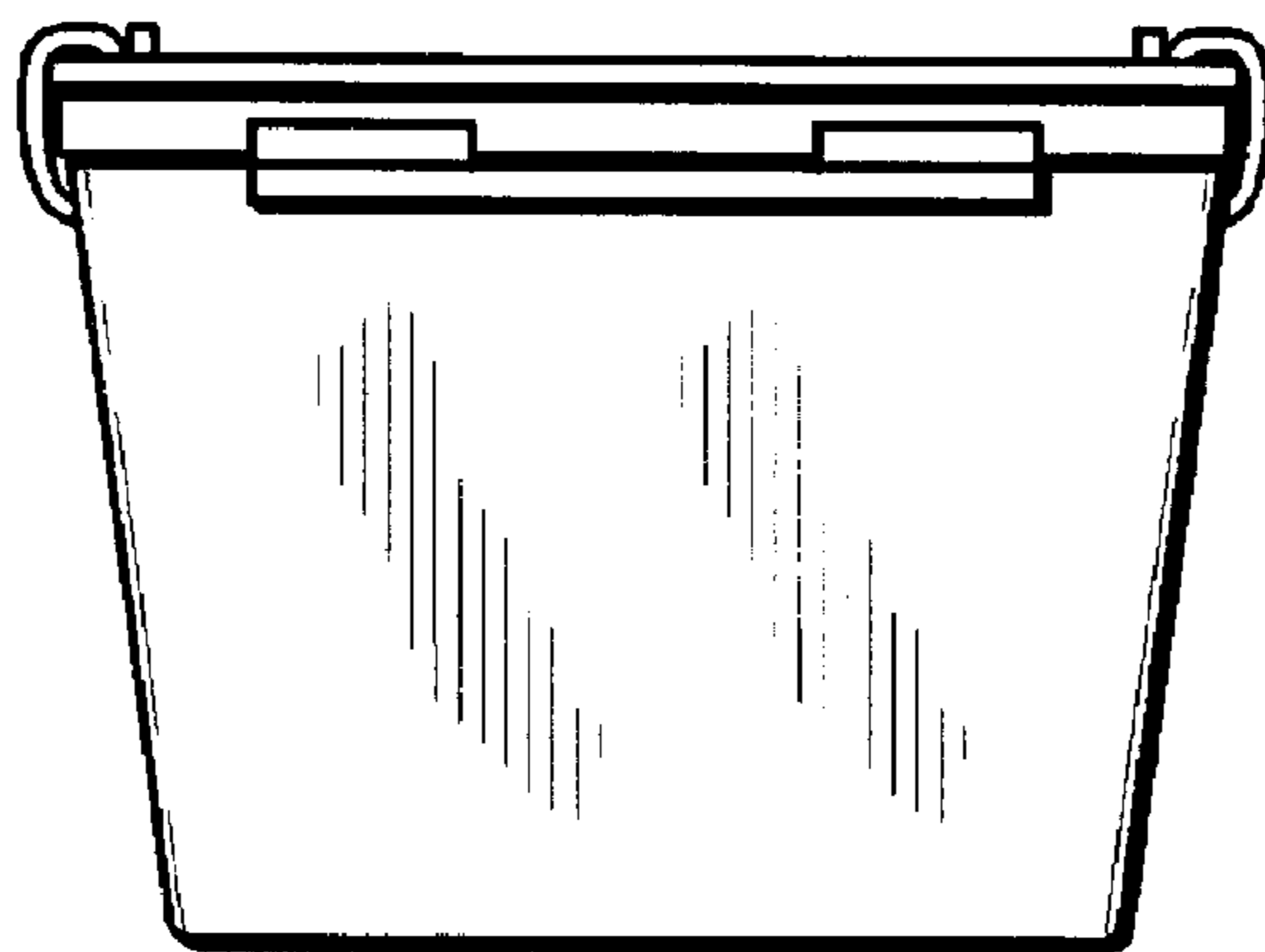


FIG. 4

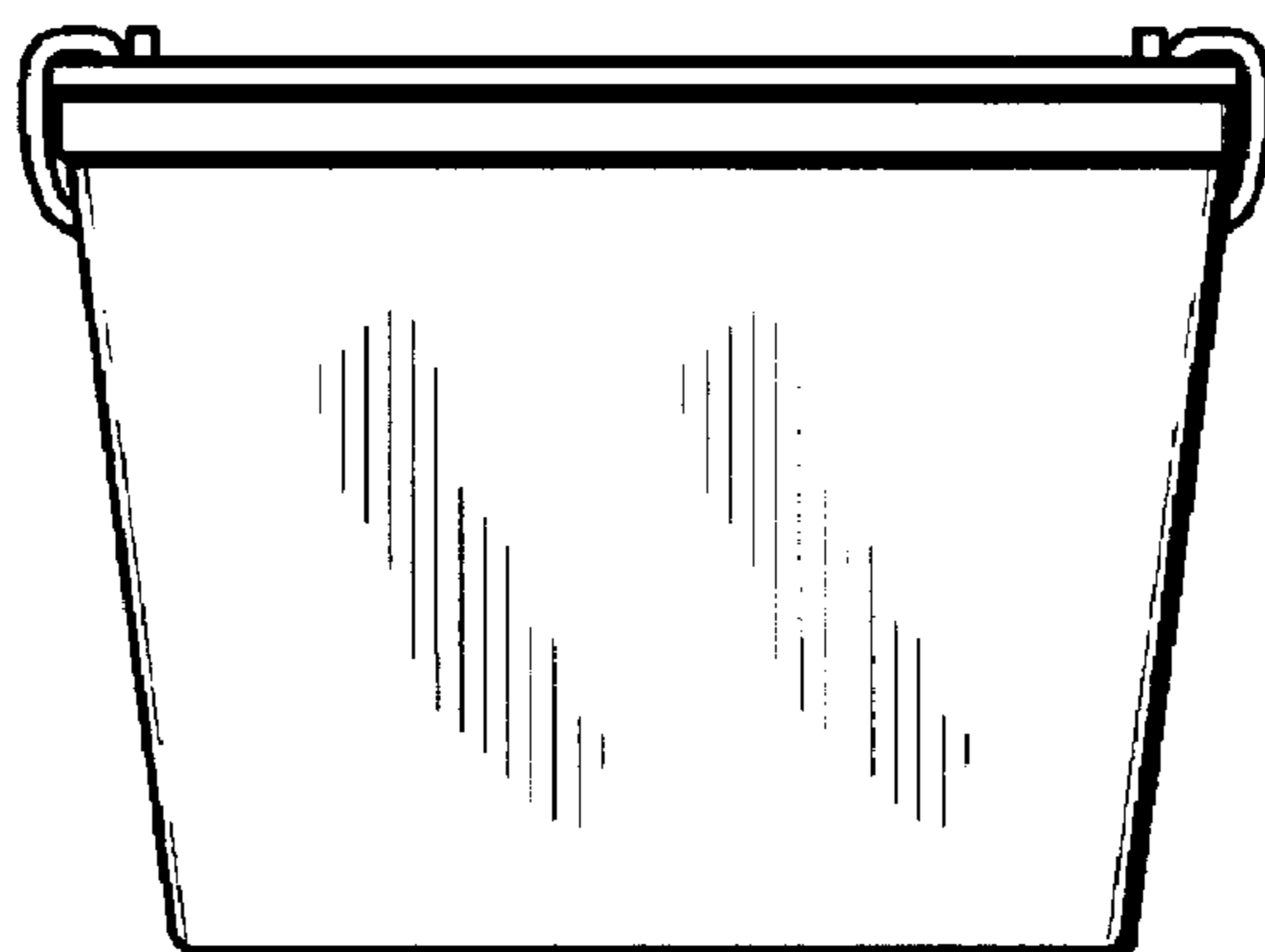


FIG. 5

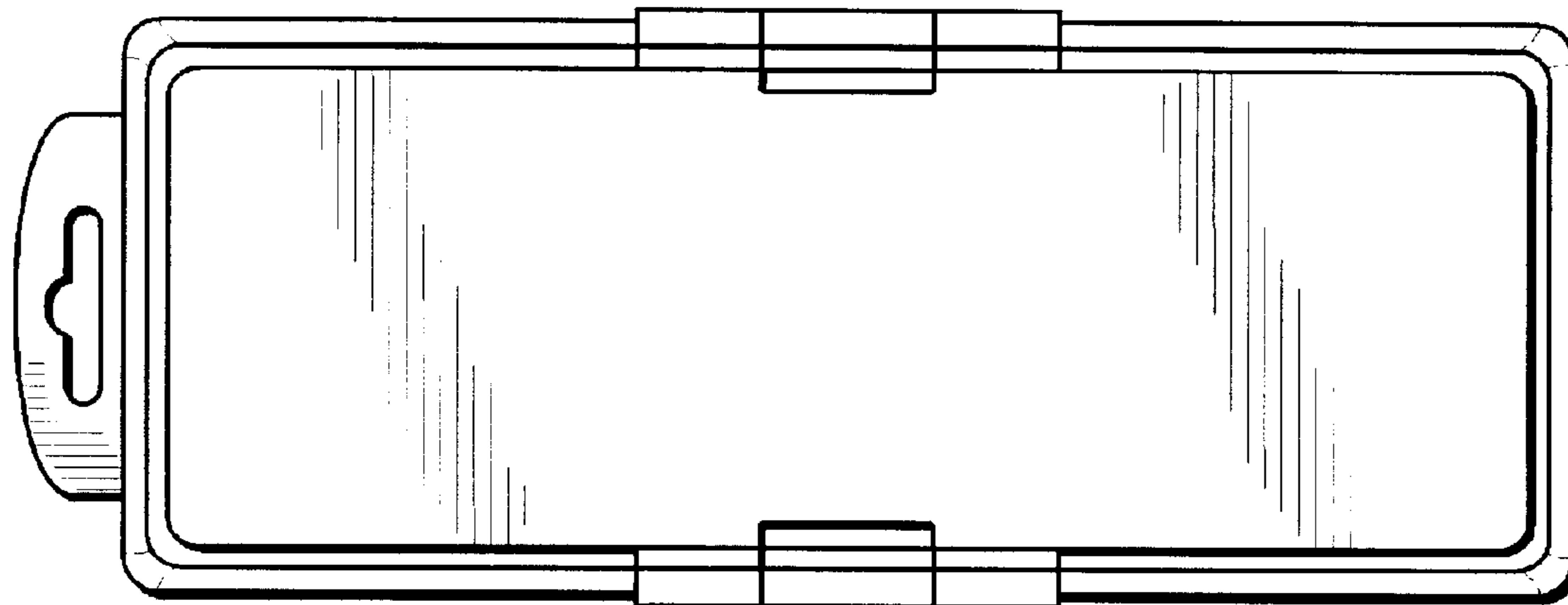


FIG. 6

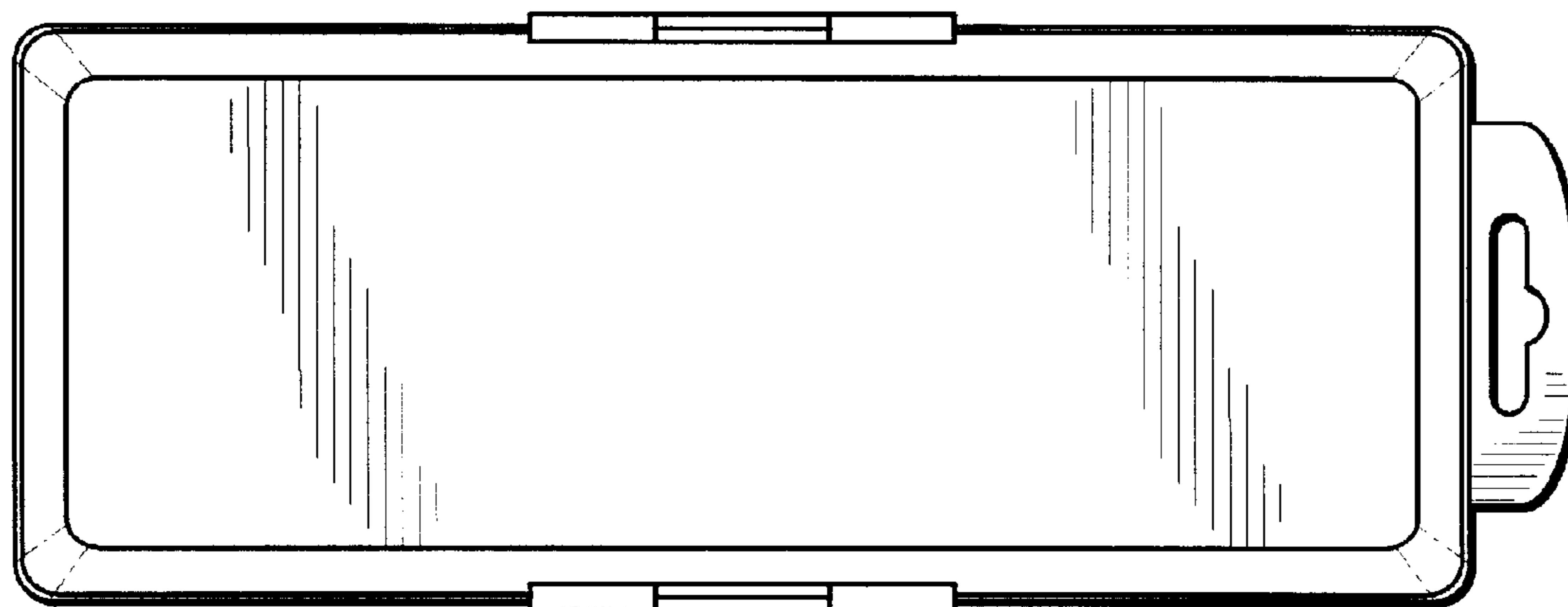


FIG. 7