



US00D531797S

(12) **United States Design Patent** (10) **Patent No.:** **US D531,797 S**  
**Briggs** (45) **Date of Patent:** **\*\* Nov. 14, 2006**

(54) **SWIM FLIPPER HOLSTER**

(76) Inventor: **Denise L. Briggs**, 31 Tailor Ct.,  
O'Fallon, MO (US) 63366

(\*\*) Term: **14 Years**

(21) Appl. No.: **29/230,526**

(22) Filed: **May 23, 2005**

(51) **LOC (8) Cl.** ..... **03-01**

(52) **U.S. Cl.** ..... **D3/271.9**; D3/218

(58) **Field of Classification Search** ..... D3/218,  
D3/271.9, 271.1; D14/143, 250; D21/806;  
224/222, 269, 904, 929

See application file for complete search history.

(56) **References Cited**

**U.S. PATENT DOCUMENTS**

D302,693 S	8/1989	Le Bleu	.....	D14/143
D303,261 S	9/1989	Gobindram	.....	D14/143
D305,653 S	1/1990	Ferdi et al.	.....	D14/143
5,083,954 A	1/1992	Jacobs	.....	D21/239 X
D335,668 S	5/1993	Pasinski	.....	D14/143
D350,801 S	9/1994	Dagnino	.....	D21/239
D359,284 S	6/1995	Hung	.....	D14/151
D371,127 S	6/1996	Baab	.....	D14/143

D377,117 S	*	1/1997	Klassen	.....	D3/218
D448,762 S	*	10/2001	Powell	.....	D14/250
D459,346 S	*	6/2002	Powell	.....	D14/250
D484,874 S	*	1/2004	Chang et al.	.....	D14/250
D500,203 S	*	12/2004	Kim	.....	D3/218
D500,591 S	*	1/2005	Greene	.....	D3/218

\* cited by examiner

*Primary Examiner*—Philip S. Hyder

(74) *Attorney, Agent, or Firm*—Grace J. Fishel

(57) **CLAIM**

The ornamental design for a swim flipper holster, as shown.

**DESCRIPTION**

FIG. 1 is a perspective view of an swim flipper holster showing my new design;

FIG. 2 is front plan view thereof;

FIG. 3 is a left side elevation view thereof;

FIG. 4 is a bottom end view;

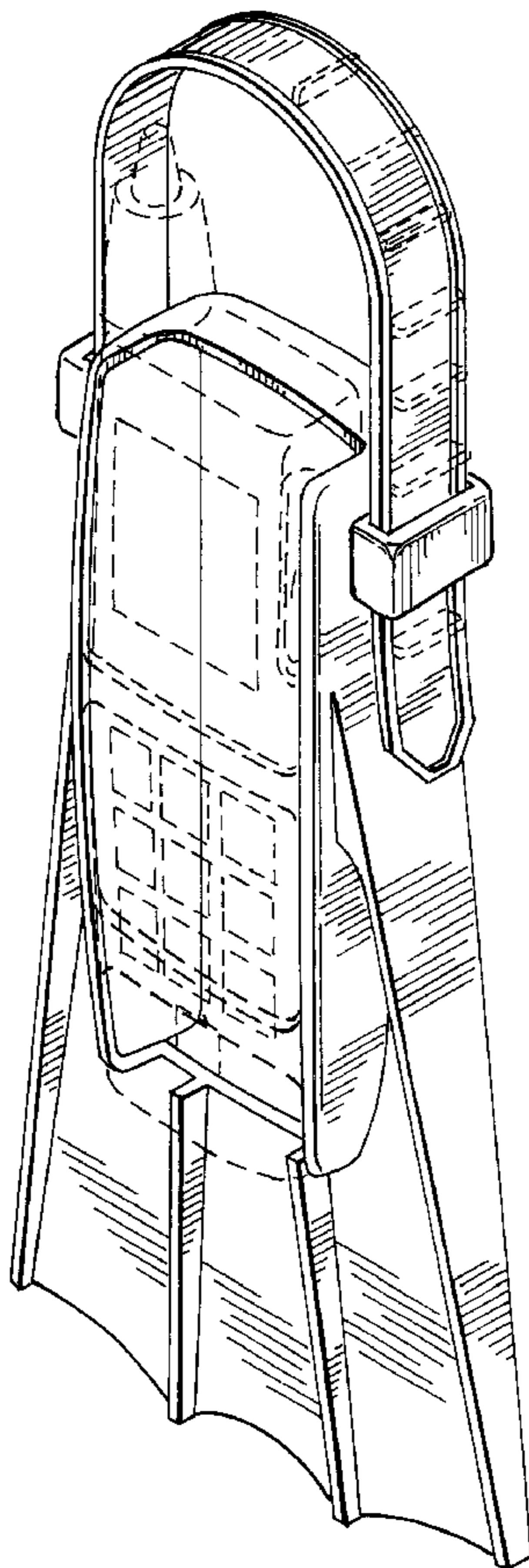
FIG. 5 is a rear plan view thereof;

FIG. 6 is a right side elevation thereof; and,

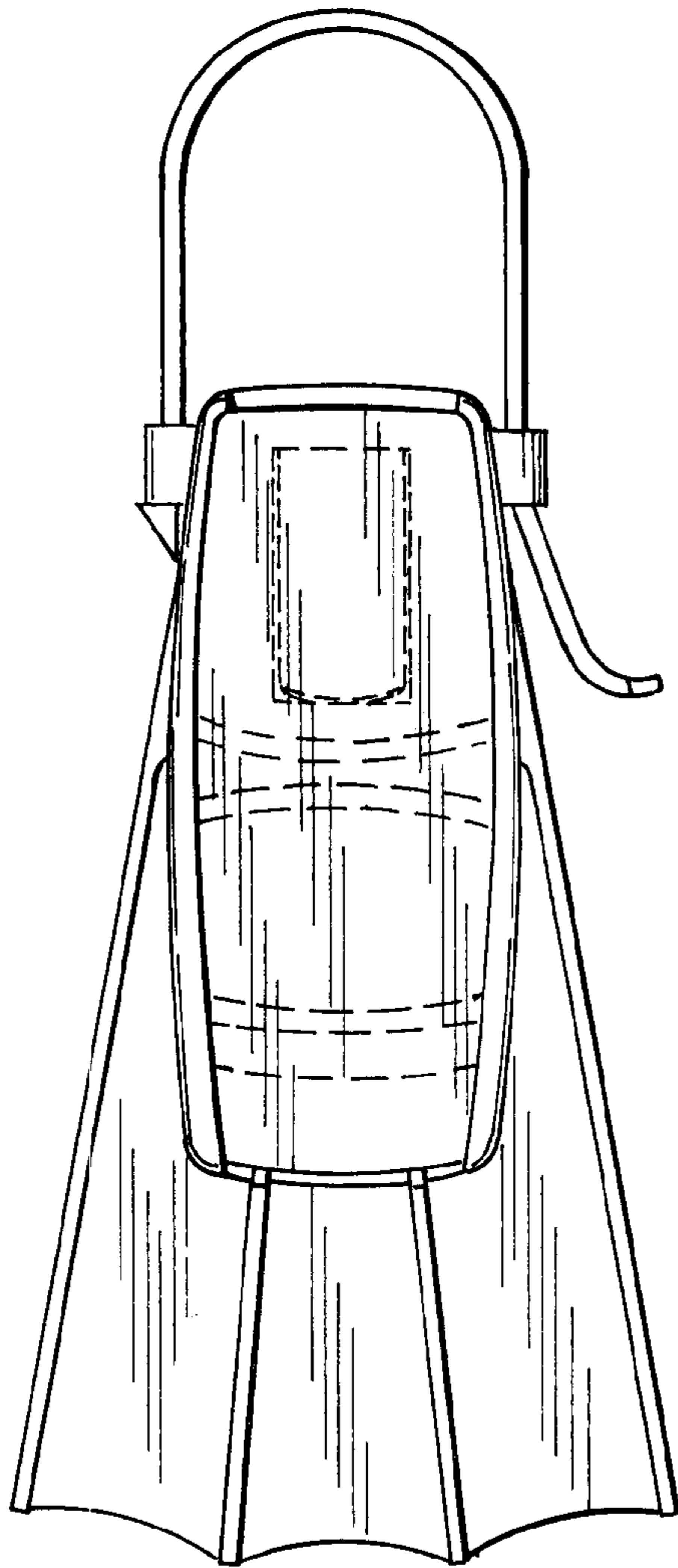
FIG. 7 is a top end view thereof.

The cellular telephone shown in broken lines in FIGS. 1–7 denotes the nature and environmental use of the design and is not part of the claimed design.

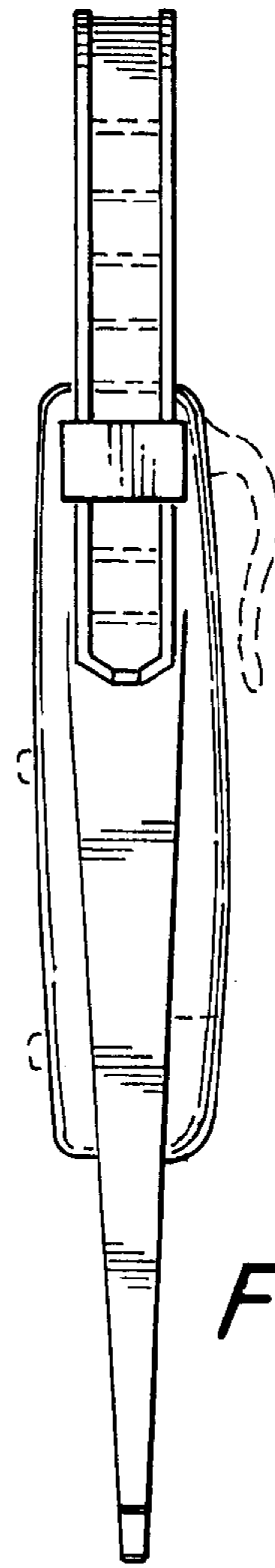
**1 Claim, 3 Drawing Sheets**



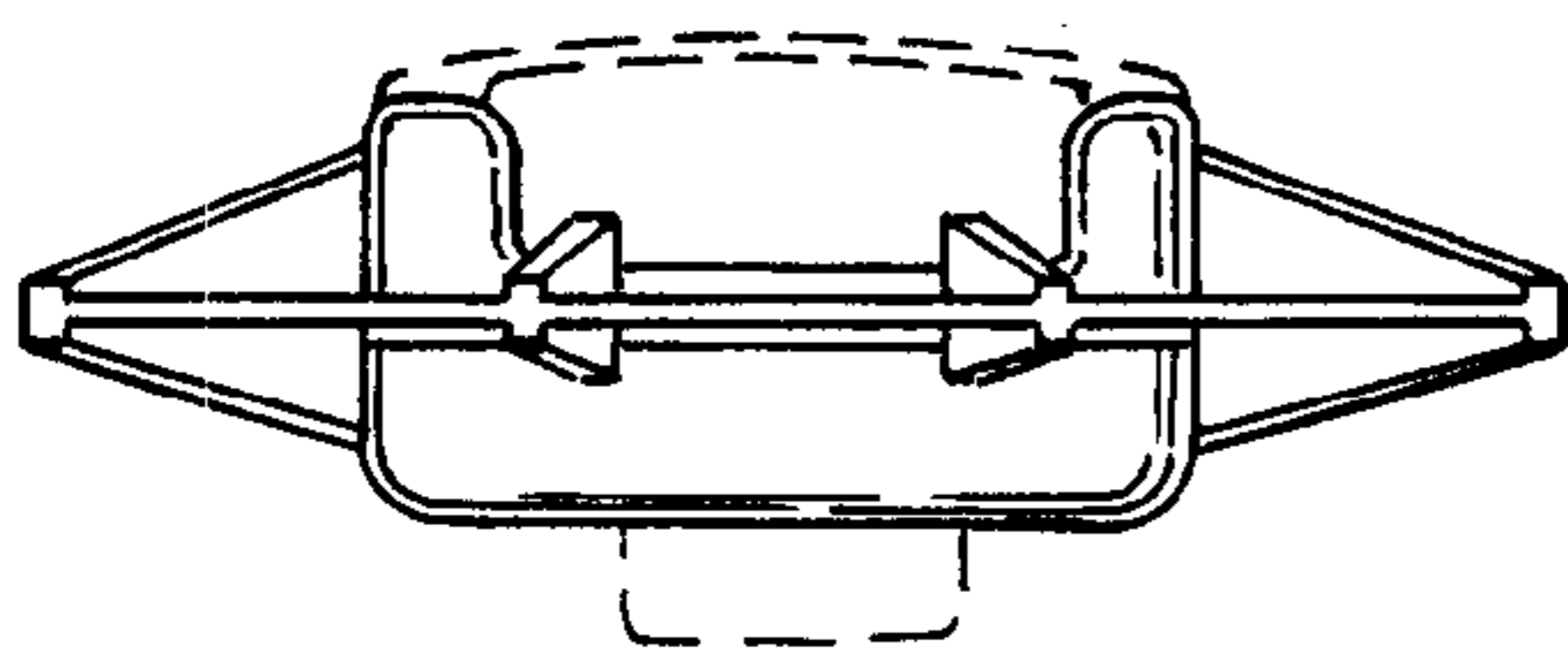




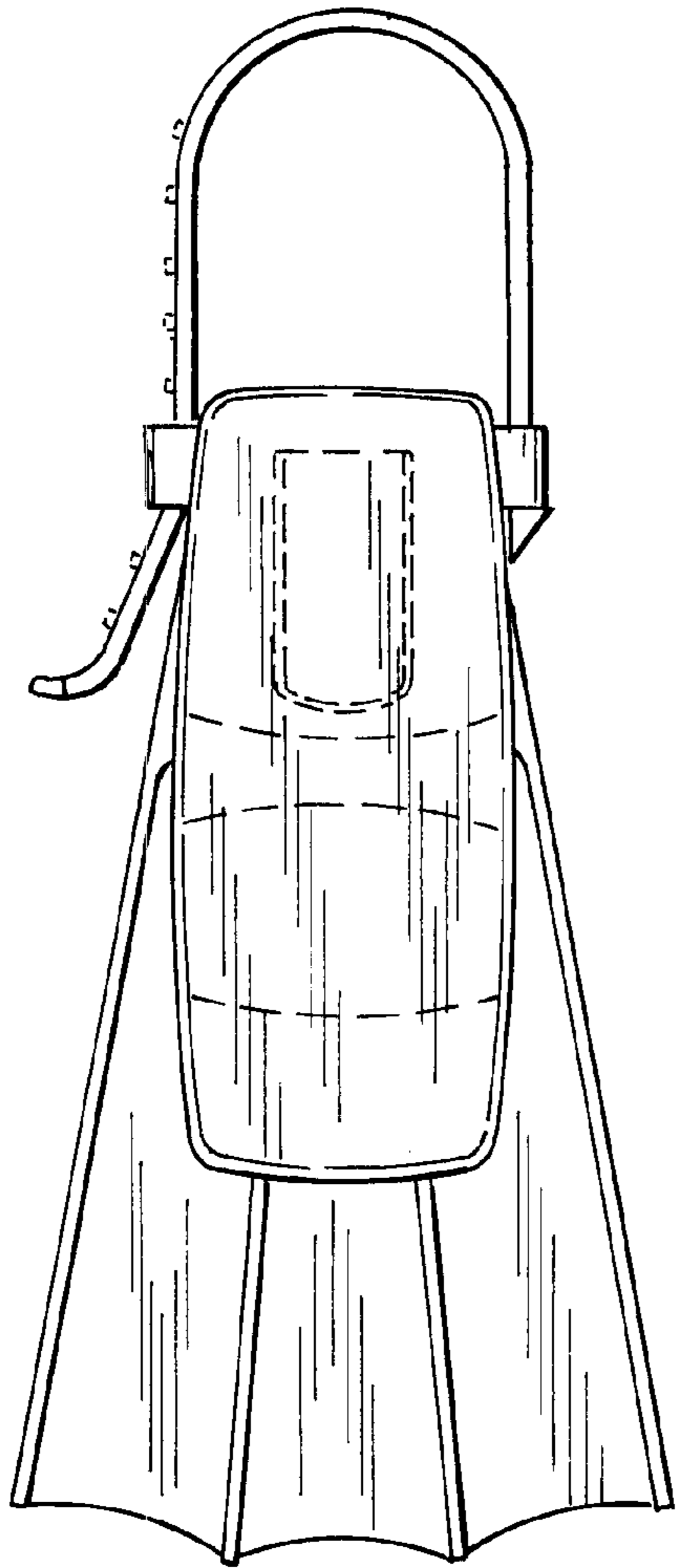
*FIG. 2*



*FIG. 3*



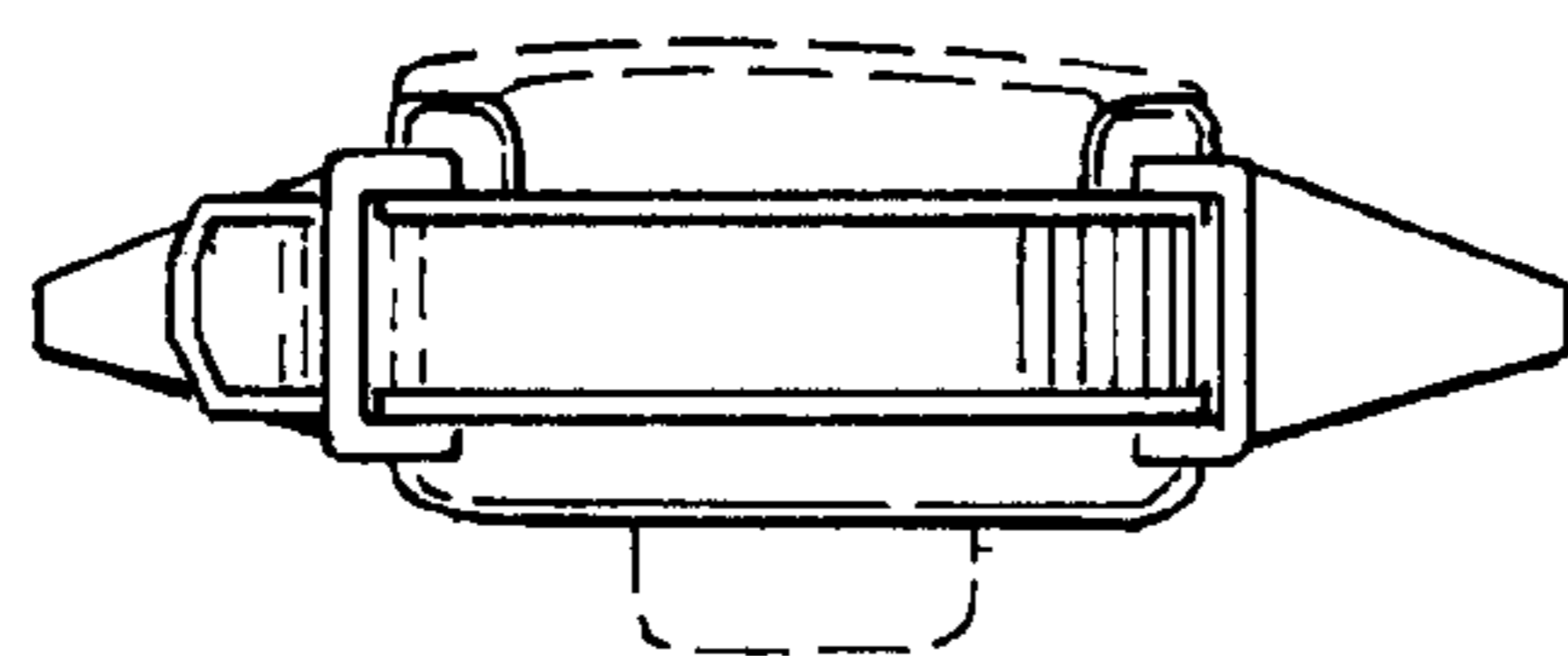
*FIG. 4*



*FIG. 5*



*FIG. 6*



*FIG. 7*