



US00D531796S

(12) **United States Design Patent**
Guyon

(10) **Patent No.:** **US D531,796 S**

(45) **Date of Patent:** **** Nov. 14, 2006**

(54) **HANDBAG**

(76) **Inventor:** **Isabelle Guyon**, 71 Boulevard
Montparnasse, 75006 Paris (FR)

(**) **Term:** **14 Years**

(21) **Appl. No.:** **29/226,986**

(22) **Filed:** **Apr. 5, 2005**

(51) **LOC (8) Cl.** **03-01**

(52) **U.S. Cl.** **D3/246**

(58) **Field of Classification Search** D3/231,
D3/232, 233, 234, 237, 238, 240, 241, 242,
D3/243, 245, 246, 303, 318, 321, 322, 323,
D3/324, 325, 326, 902; 150/100, 106, 107,
150/110, 111, 112, 118, 900; 190/100, 109,
190/112, 115, 119, 121, 902, 903; 383/4,
383/6, 7, 8, 10, 12, 15, 22, 23, 25, 26, 27,
383/29, 31, 37, 38, 41, 42, 78, 84; D11/7,
D11/70

See application file for complete search history.

(56) **References Cited**

U.S. PATENT DOCUMENTS

D484,688 S * 1/2004 Golliday D3/234
D489,894 S * 5/2004 Guyon D3/246

D497,717 S * 11/2004 Galliano D3/246
D498,589 S * 11/2004 Galliano D3/246
D501,599 S * 2/2005 Guyon D3/246
D501,717 S * 2/2005 Guyon D3/246
D508,770 S * 8/2005 Hayes D3/246

* cited by examiner

Primary Examiner—Louis S. Zarfaz

Assistant Examiner—Monica A. Weingart

(74) *Attorney, Agent, or Firm*—Gottlieb, Rackman &
Reisman PC

(57) **CLAIM**

The ornamental design for a handbag, as shown and
described.

DESCRIPTION

FIG. 1 is a bottom plan view of a handbag showing my new
design;

FIG. 2 is a front elevation view thereof;

FIG. 3 is a left side elevation view thereof;

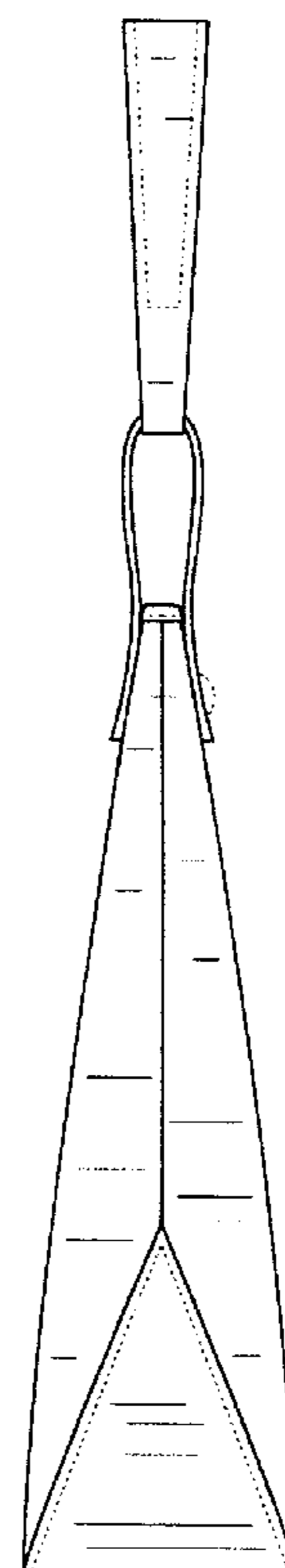
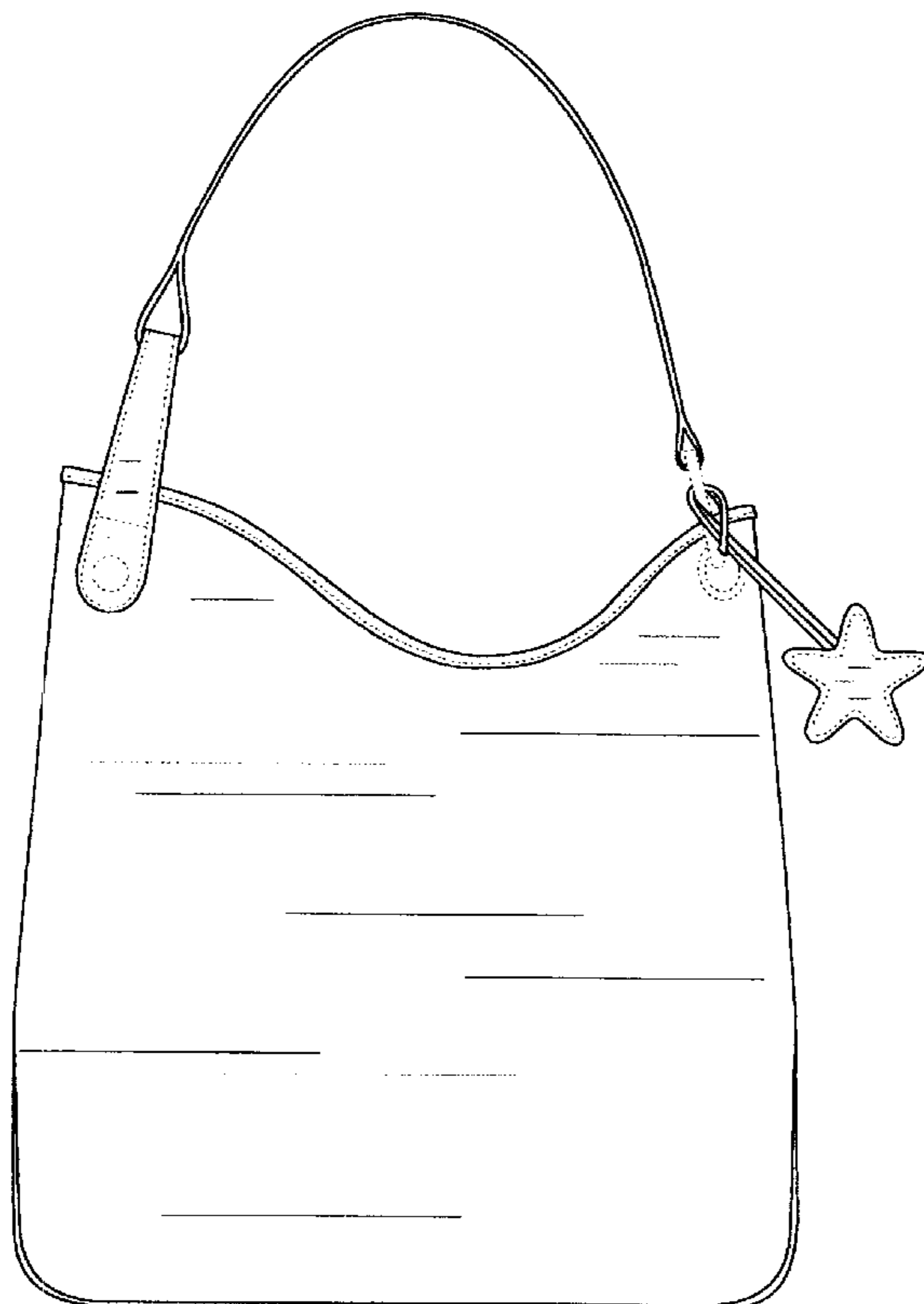
FIG. 4 is a top plan view thereof;

FIG. 5 is a rear elevation view thereof; and,

FIG. 6 is a right side elevation view thereof.

The broken line showing in FIGS. 2–6 is for illustrative
purposes only and forms no part of the claimed design.

1 Claim, 2 Drawing Sheets



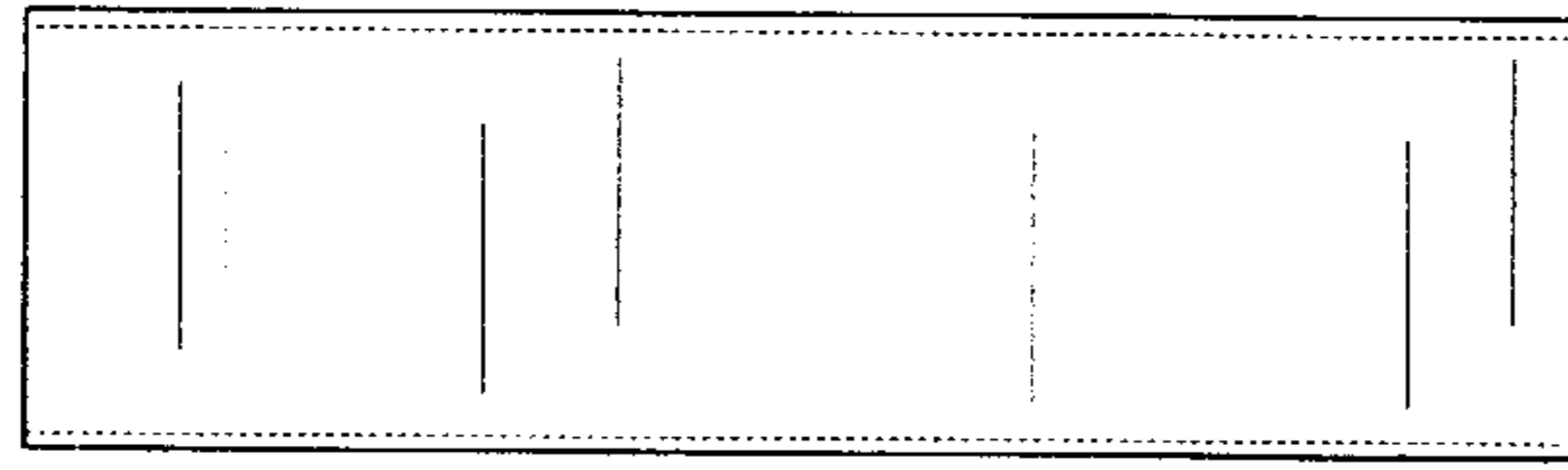


FIG. 1

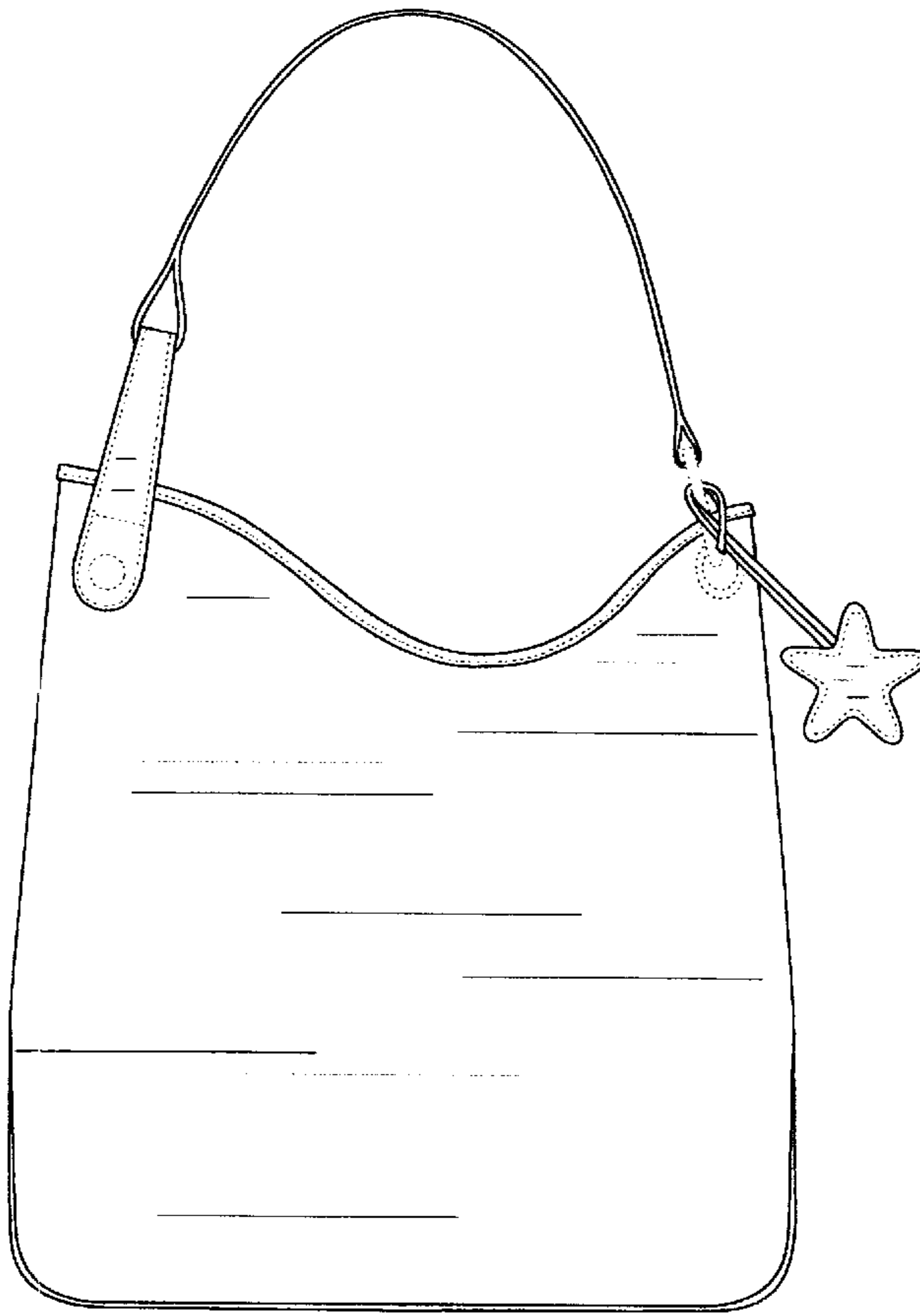


FIG. 2

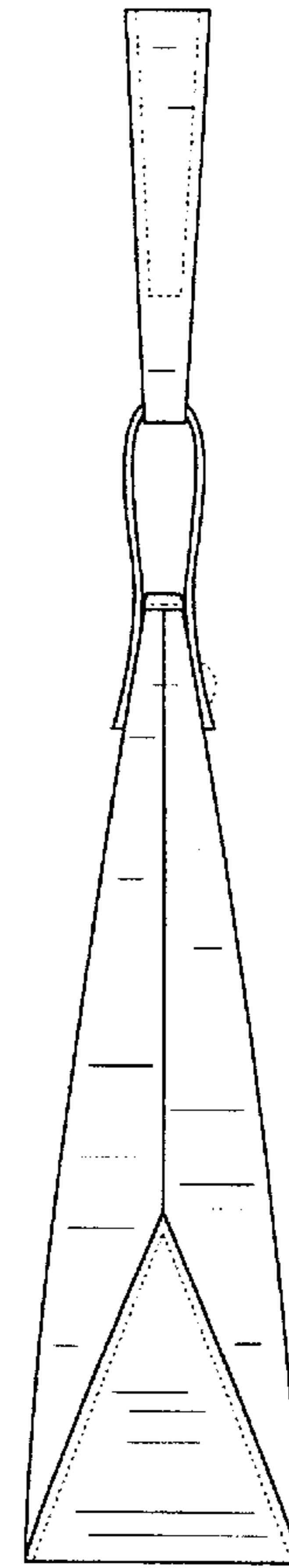


FIG. 3

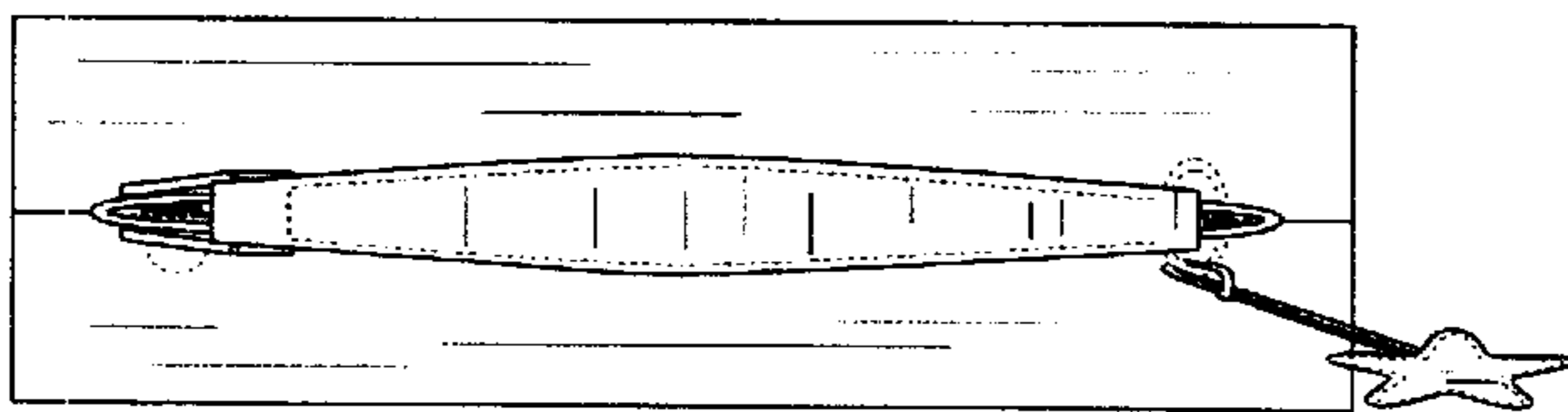


FIG. 4



FIG. 5

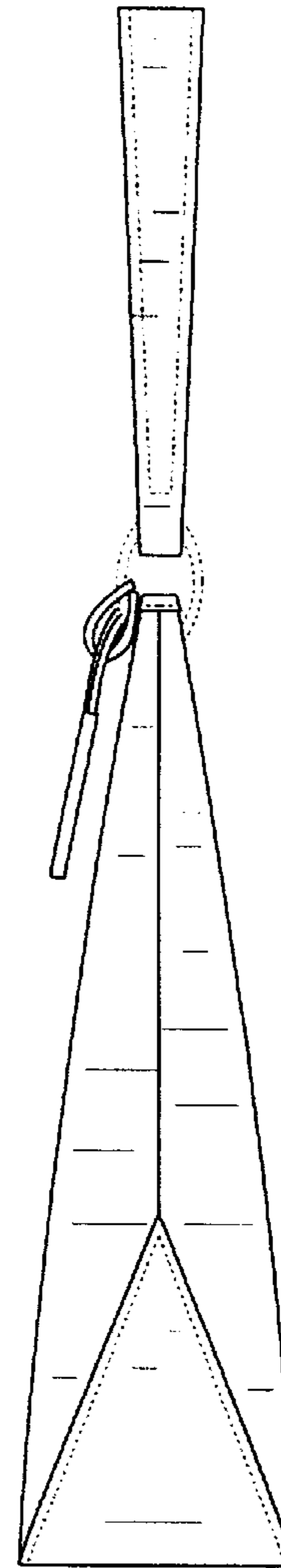


FIG. 6