



US00D531788S

(12) **United States Design Patent**
Rittberg

(10) **Patent No.:** **US D531,788 S**

(45) **Date of Patent:** **** Nov. 14, 2006**

(54) **PAIR OF SLIPPER OUTSOLES**

(75) Inventor: **Matthew Rittberg**, Parsippany, NJ
(US)

(73) Assignee: **Tristar Products, Inc.**, Fairfield, NJ
(US)

(**) Term: **14 Years**

(21) Appl. No.: **29/222,498**

(22) Filed: **Jan. 31, 2005**

(51) **LOC (8) Cl.** **02-04**

(52) **U.S. Cl.** **D2/959; D2/953; D2/960**

(58) **Field of Classification Search** D2/902,
D2/946-949, 951-960; 36/3 B, 22 R, 24.5,
36/25 R, 28, 32 R, 34 R, 67 A, 59 C

See application file for complete search history.

(56) **References Cited**

U.S. PATENT DOCUMENTS

D192,285 S	*	2/1962	Messinger	D2/953
3,083,476 A	*	4/1963	Herschdorf	36/15
3,662,478 A	*	5/1972	Schwab	36/59 C
D294,653 S	*	3/1988	Le	D2/900
4,827,631 A	*	5/1989	Thornton	36/102
D345,455 S	*	3/1994	Smith	D2/953
D418,281 S	*	1/2000	Bray et al.	D2/919
D441,176 S	*	5/2001	Dean	D2/959
D446,000 S	*	8/2001	Price	D2/907
D452,362 S	*	12/2001	Mastroianni et al.	D2/908
D458,740 S	*	6/2002	McClaskie	D2/957
D468,894 S	*	1/2003	Duclos	D2/953
D485,664 S	*	1/2004	Bray et al.	D2/919

D485,665 S	*	1/2004	Bray et al.	D2/919
D485,666 S	*	1/2004	Bray et al.	D2/919
D498,901 S	*	11/2004	Hawker et al.	D2/926
D500,190 S	*	12/2004	Della Valle	D2/954
D500,914 S	*	1/2005	Ammon	D2/953
D503,522 S	*	4/2005	Schoenborn et al.	D2/952
D504,757 S	*	5/2005	Schoenborn et al.	D2/952

* cited by examiner

Primary Examiner—Celia A. Murphy

(74) *Attorney, Agent, or Firm*—Edward J. Chalfie; Ladas & Parry LLP

(57) **CLAIM**

The ornamental design for a pair of slipper outsoles, as shown and described.

DESCRIPTION

FIG. 1 is a perspective view of the left odd of a pair of slipper outsoles showing my new design; the right side sole being a mirror image, and being removed for convenience of illustration; and the broken lines showing a slipper upper illustrating the portion of the design that forms no part of the claim;

FIG. 2 is a front elevational view thereof;

FIG. 3 is a rear elevational view thereof;

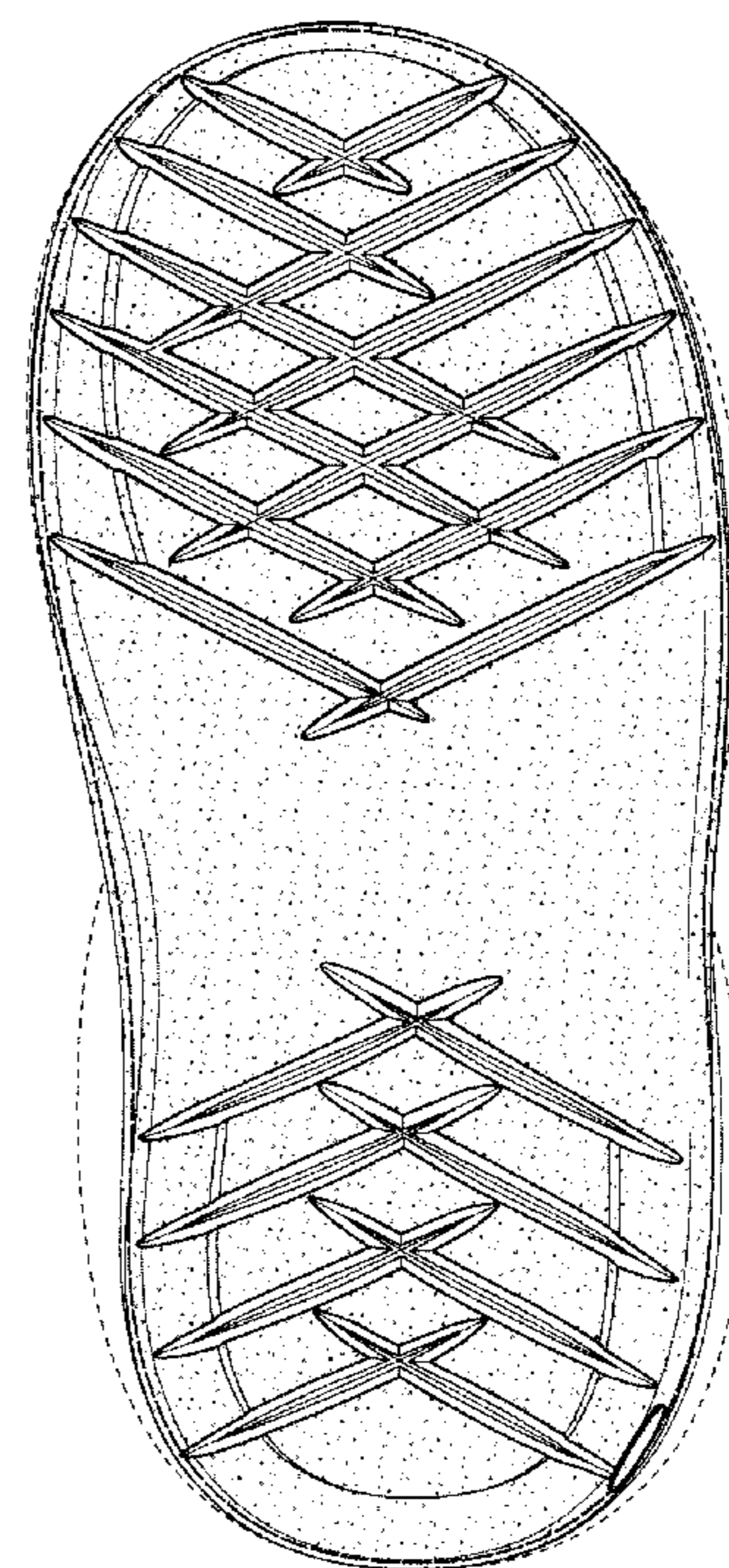
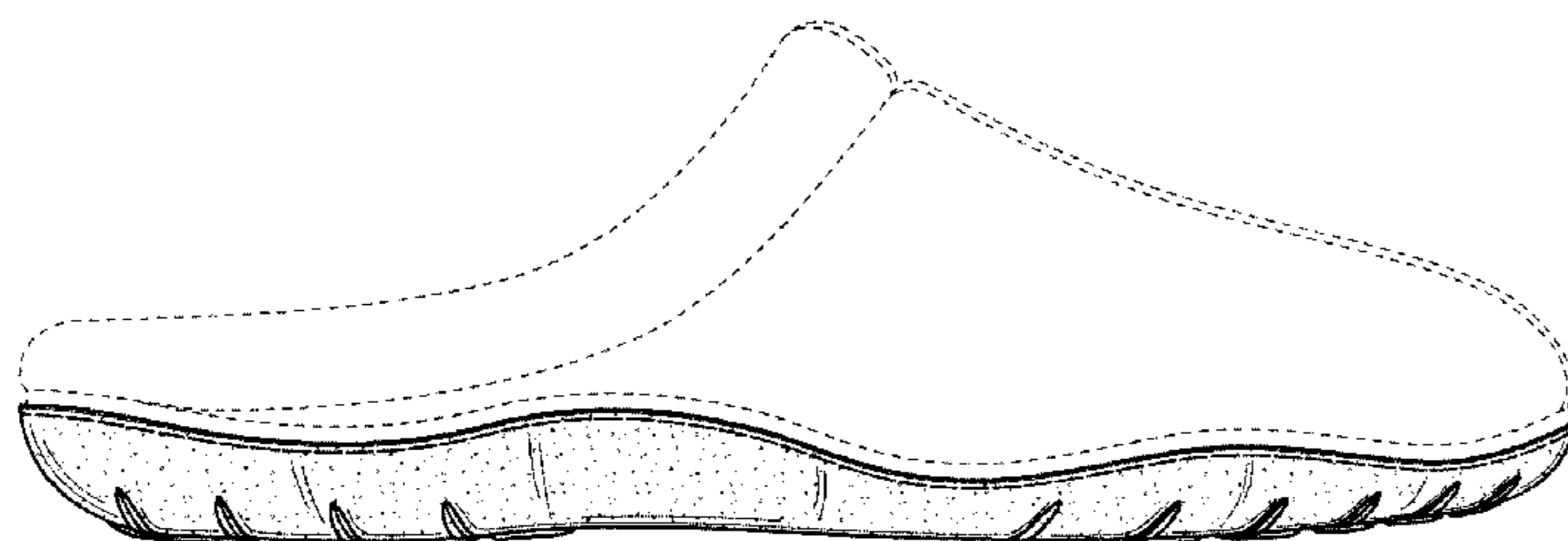
FIG. 4 is a left side elevational view thereof;

FIG. 5 is a right side elevational view thereof; and,

FIG. 6 is a bottom plan view thereof.

The broken lines shown in the periphery of the claimed surface throughout the views are understood to represent stitching.

1 Claim, 4 Drawing Sheets



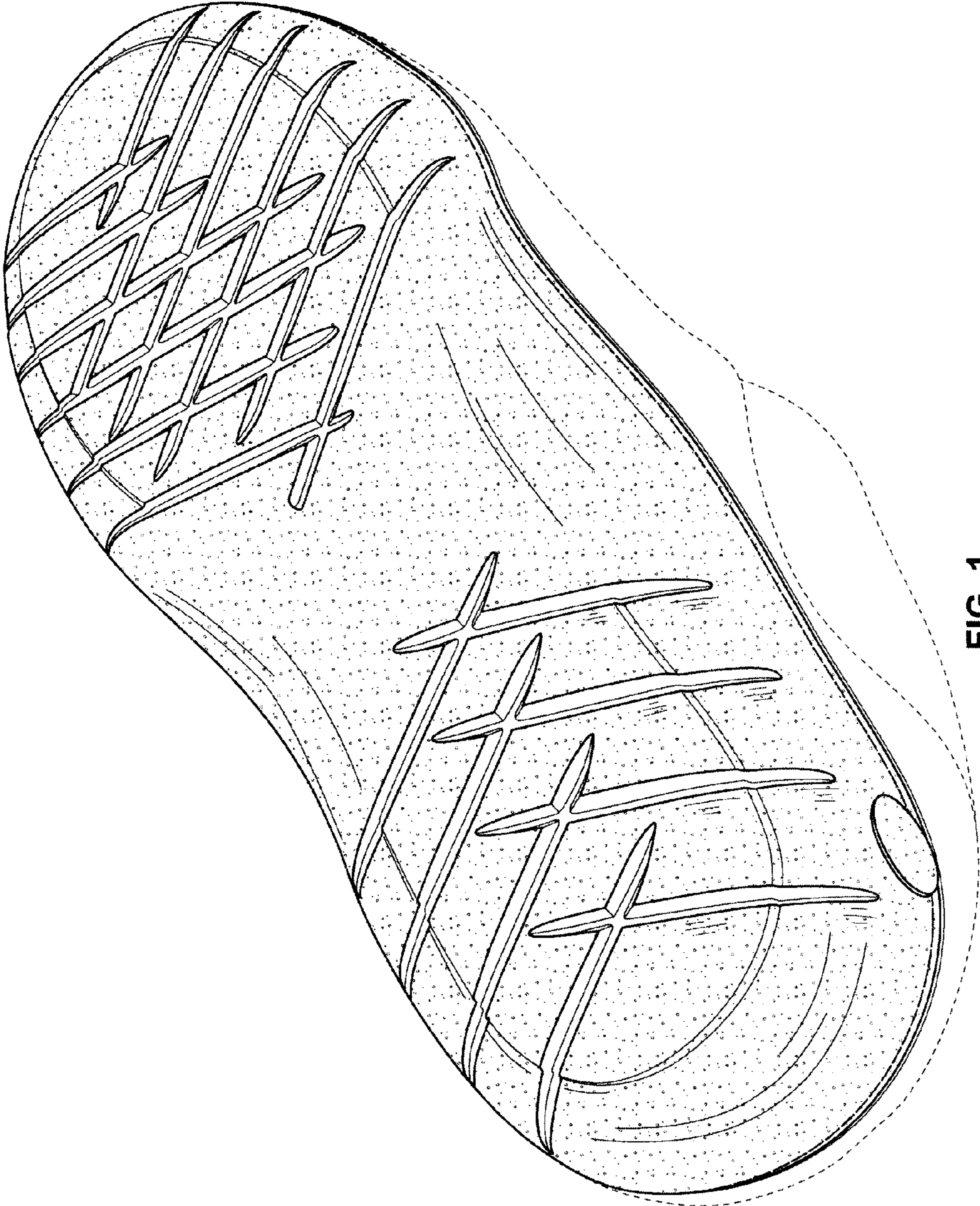


FIG. 1

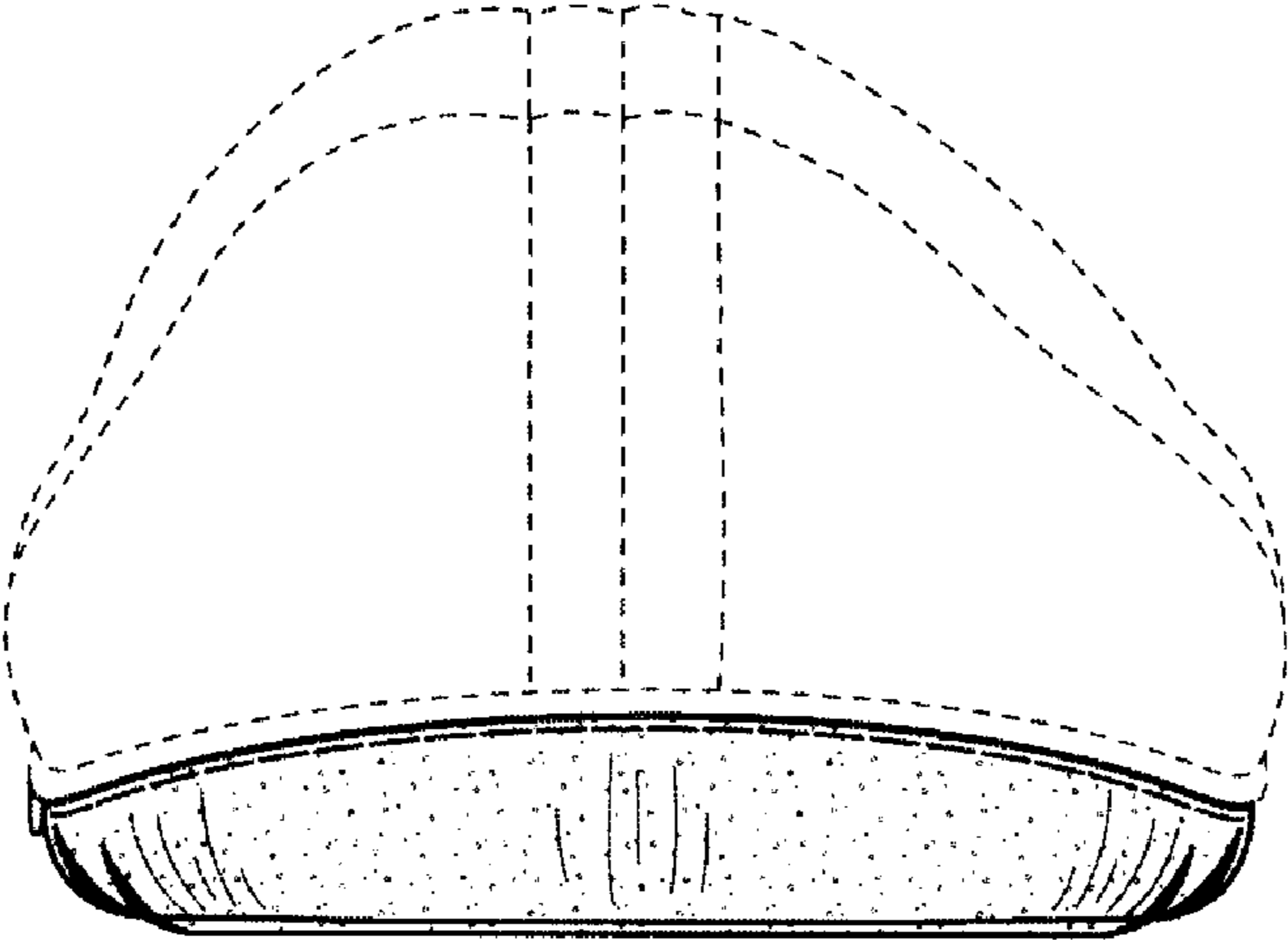


FIG. 2

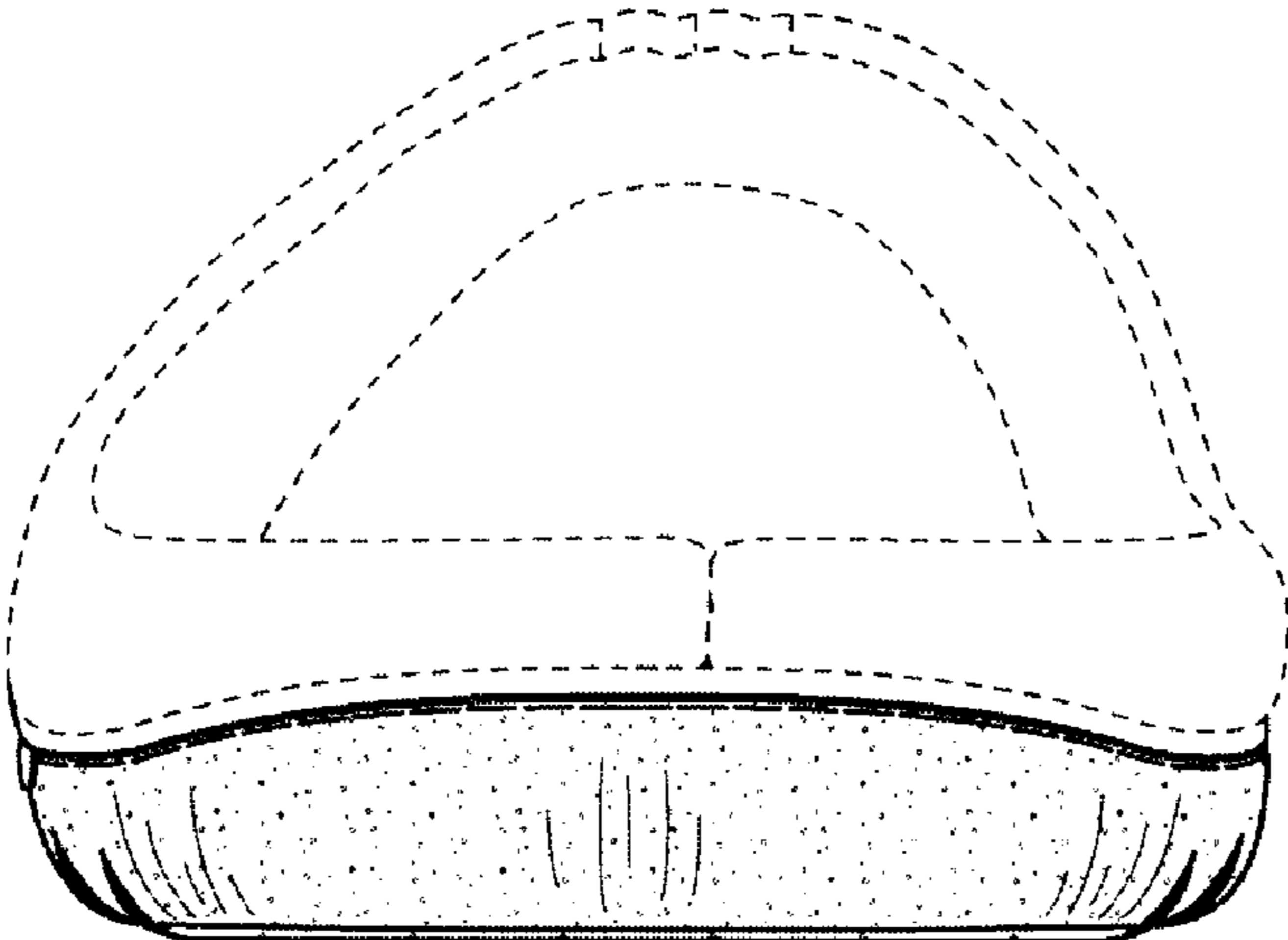


FIG. 3

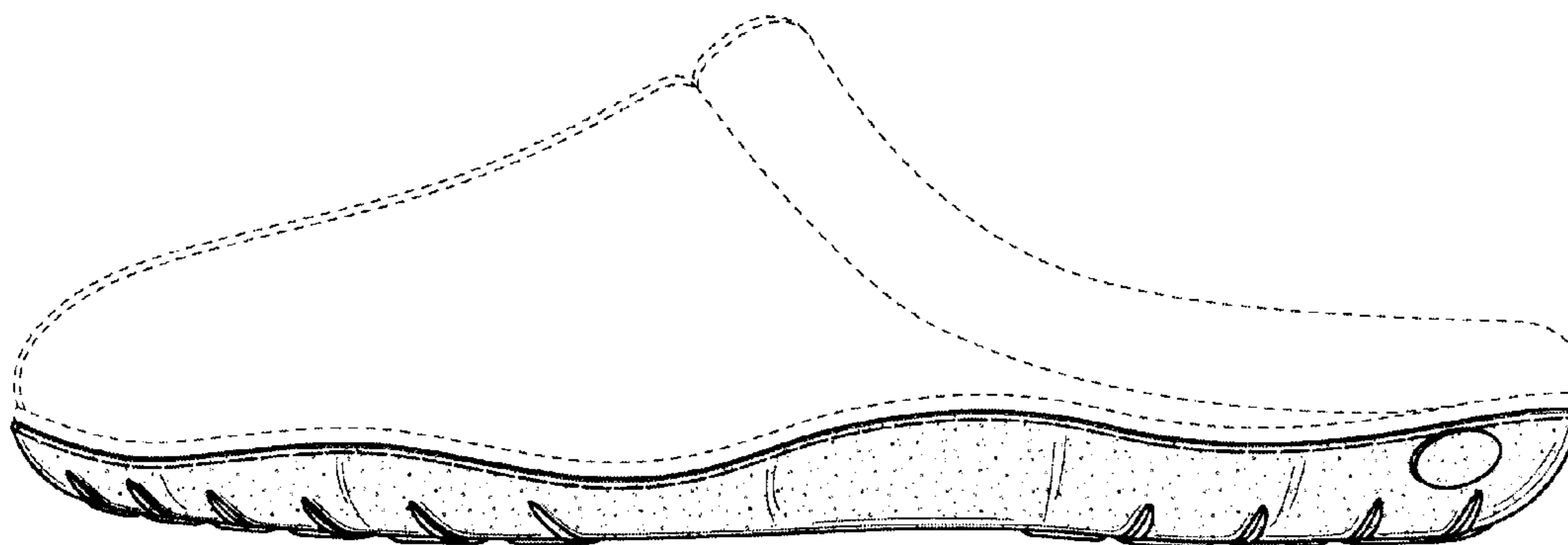


FIG. 4

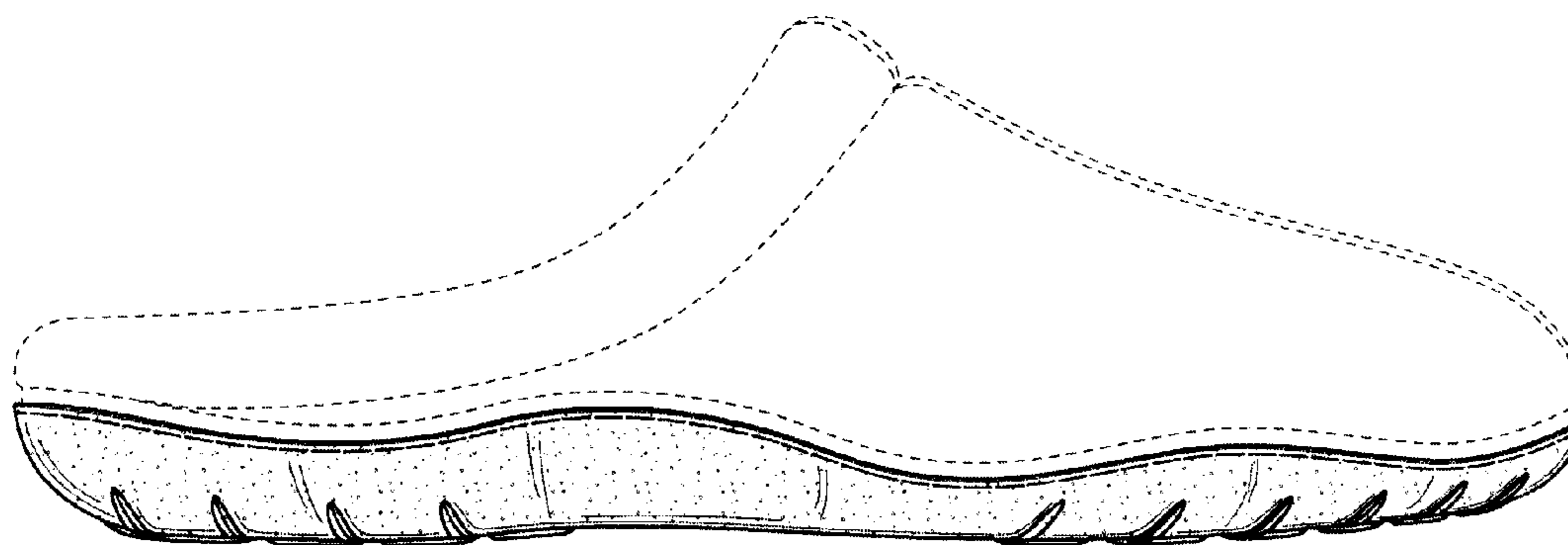


FIG. 5

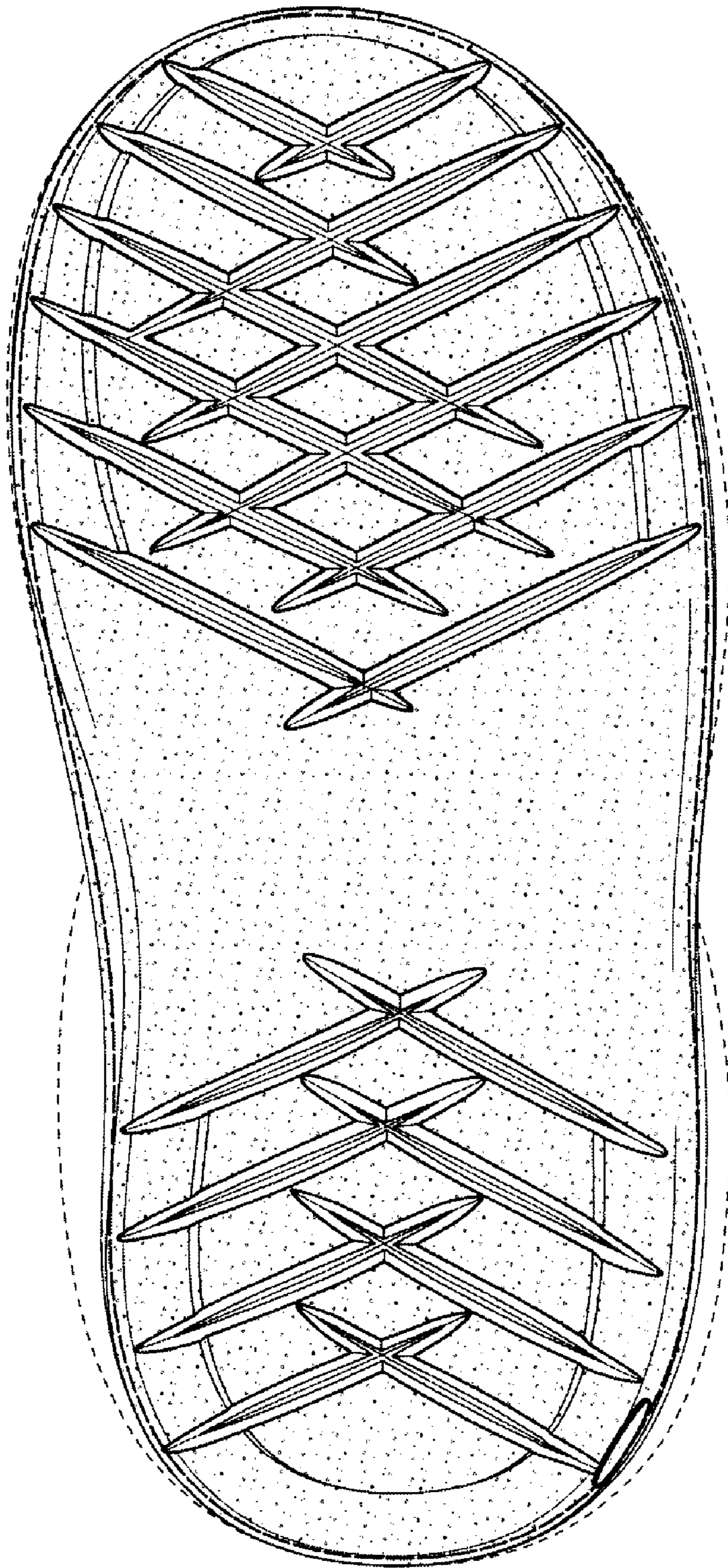


FIG. 6