



US00D531779S

(12) **United States Design Patent**  
**Huguet**

(10) **Patent No.:** **US D531,779 S**

(45) **Date of Patent:** **\*\* Nov. 7, 2006**

(54) **PORTION OF A DRAWER OF A SERVICE CART**

(75) Inventor: **Marty Huguet**, Greer, SC (US)

(73) Assignee: **Professional Tool Products, LLC**, Greenville, SC (US)

(\*\*) Term: **14 Years**

(21) Appl. No.: **29/219,937**

(22) Filed: **Dec. 23, 2004**

**Related U.S. Application Data**

(63) Continuation-in-part of application No. 29/211,199, filed on Aug. 12, 2004.

(51) **LOC (8) Cl.** ..... **12-02**

(52) **U.S. Cl.** ..... **D34/27**

(58) **Field of Classification Search** ..... D34/12-27;  
D8/315, 316, 317, 313, 300, 301, 302; D6/522,  
D6/546

See application file for complete search history.

(56) **References Cited**

**U.S. PATENT DOCUMENTS**

D66,318 S	*	12/1924	Baker	.....	D8/316
D104,162 S	*	4/1937	Hopkins	.....	D8/316
D116,497 S	*	9/1939	Lingard	.....	D8/317
2,329,767 A		9/1943	Jakeway		
2,525,208 A		10/1950	Clink		
2,575,661 A		11/1951	Hickey		
2,697,244 A		12/1954	Lincke		
2,981,549 A		4/1961	Hotton		
3,997,218 A		12/1976	Wolf et al.		

(Continued)

**OTHER PUBLICATIONS**

U.S. Appl. No. 10/746,412, filed Dec. 24, 2003; In re: Huguet, entitled *Service Cart With Protective Bumpers and Recessed Drawer Handles*.

U.S. Appl. No. 29/211,200, filed Aug. 12, 2004; In re: Huguet, entitled *Service Cart*.

*Primary Examiner*—Freda Nunn  
*Assistant Examiner*—Kevin K. Rudzinski  
(74) *Attorney, Agent, or Firm*—Alston & Bird LLP

(57) **CLAIM**

The ornamental design for a portion of a drawer of a service cart, as shown and described.

**DESCRIPTION**

FIG. 1 is a perspective view of a portion of a drawer of a service cart according to an embodiment of the present invention;

FIG. 2 is a front elevation view of the portion of a drawer of FIG. 1;

FIG. 3 is a top plan view of the portion of a drawer of FIG. 1;

FIG. 4 is a right side elevation view of the portion of a drawer of FIG. 1, the left side elevation view of the portion of a drawer of FIG. 1 being a mirror image thereof;

FIG. 5 is a bottom plan view of the portion of a drawer of FIG. 1; the rear elevation view of the portion of a drawer of FIG. 1 is unornamented and forms no part of the claimed design of the portion of a drawer shown in FIG. 1;

FIG. 6 is a perspective view of a portion of a drawer of a service cart according to another embodiment of the present invention;

FIG. 7 is a front elevation view of the portion of a drawer of FIG. 6;

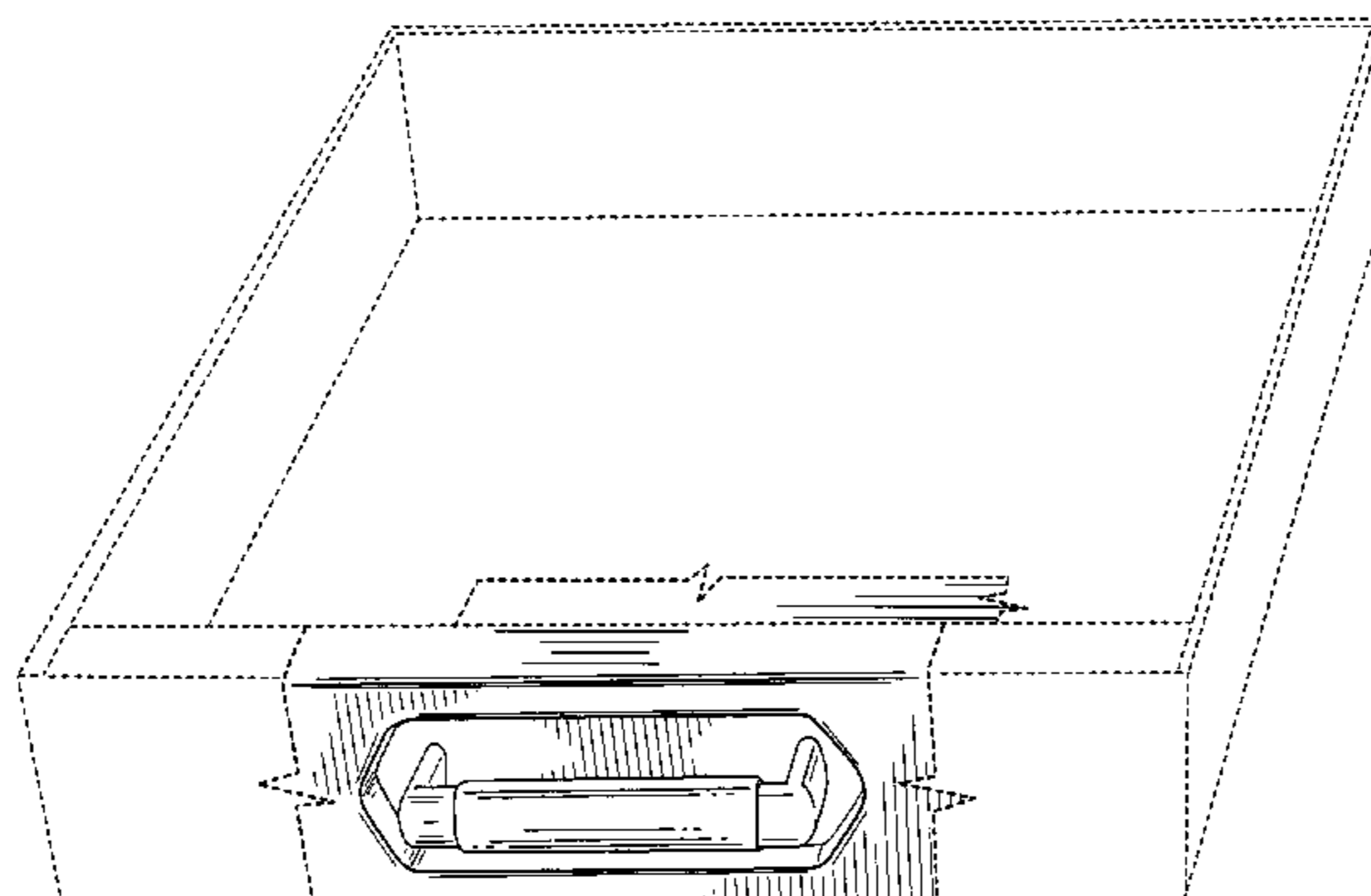
FIG. 8 is a top plan view of the portion of a drawer of FIG. 6;

FIG. 9 is a right side elevation view of the portion of a drawer of FIG. 6, the left side elevation view of the portion of a drawer of FIG. 6 being a mirror image thereof; and,

FIG. 10 is a bottom plan view of the portion of a drawer of FIG. 6; the rear elevation view of the portion of a drawer of FIG. 6 is unornamented and forms no part of the claimed design of the portion of a drawer shown in FIG. 6.

The broken lines shown herein are for illustrative purposes only and form no part of the claimed design.

**1 Claim, 10 Drawing Sheets**



# US D531,779 S

Page 2

---

## U.S. PATENT DOCUMENTS

4,040,695 A *	8/1977	Brann	.....	312/348.6	5,588,659 A	12/1996	Boes et al.
D248,923 S *	8/1978	Spellier	.....	D8/313	5,673,983 A	10/1997	Carlson et al.
4,120,549 A	10/1978	Bureau			5,720,535 A	2/1998	Mehman
D278,769 S	5/1985	Sharpe			5,913,582 A	6/1999	Coonan
4,576,425 A *	3/1986	Pinnow et al.	.....	312/324	D423,817 S	5/2000	Holcomb et al.
D283,263 S	4/1986	Richey			D423,818 S	5/2000	Holcomb et al.
D283,977 S *	5/1986	Kunzler	.....	D8/301	D427,807 S	7/2000	Holcomb et al.
4,586,762 A	5/1986	Kennedy et al.			6,264,219 B1	7/2001	Smith
4,880,248 A	11/1989	Elmer			D469,329 S *	1/2003	Martin ..... D8/301
5,221,132 A	6/1993	Combs et al.			6,578,938 B1	6/2003	Norman et al.
D337,404 S	7/1993	Miles			2001/0035702 A1	11/2001	Murphy et al.
5,489,106 A	2/1996	Engelking et al.			2003/0155729 A1	8/2003	Chen

\* cited by examiner

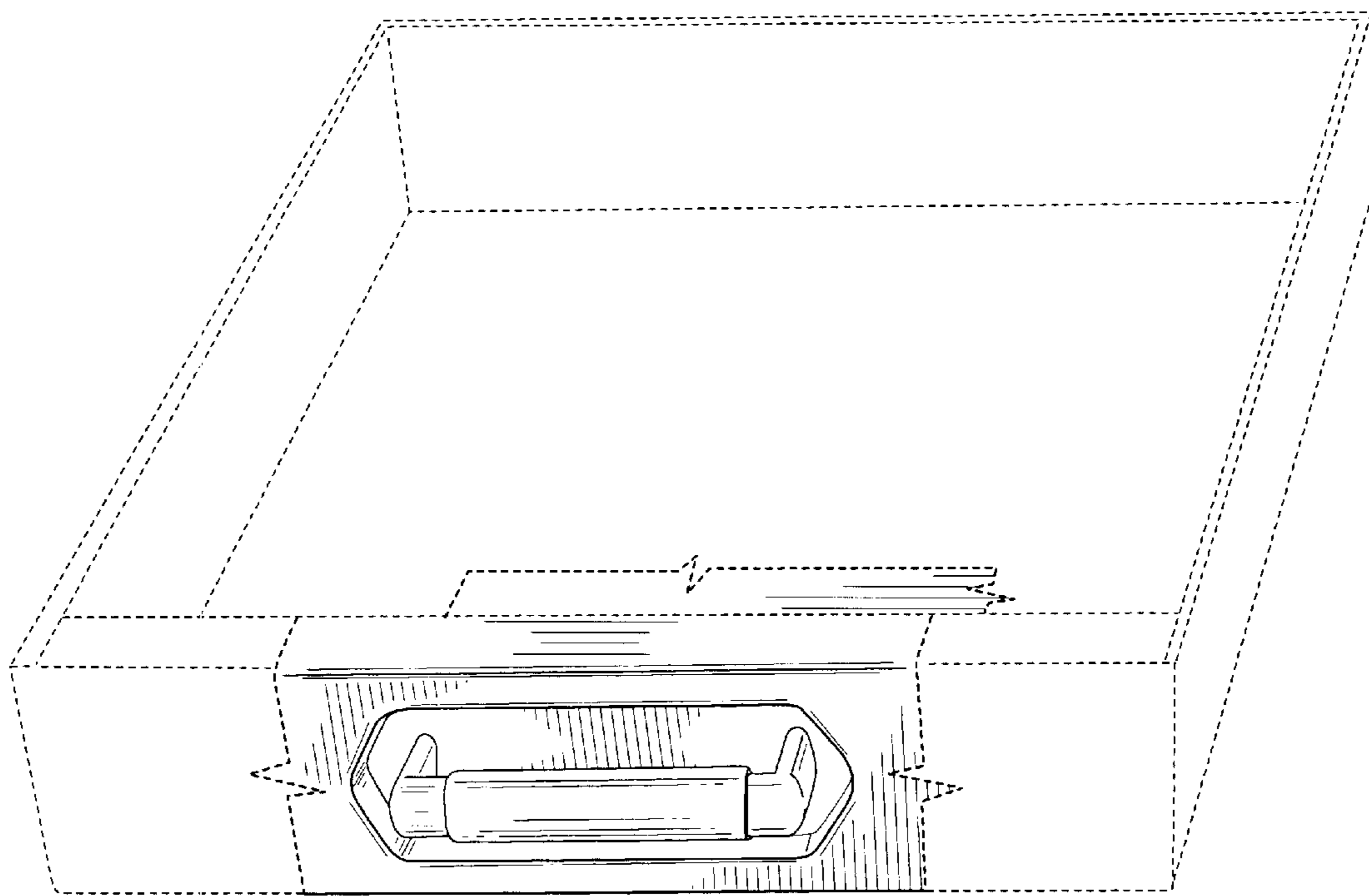
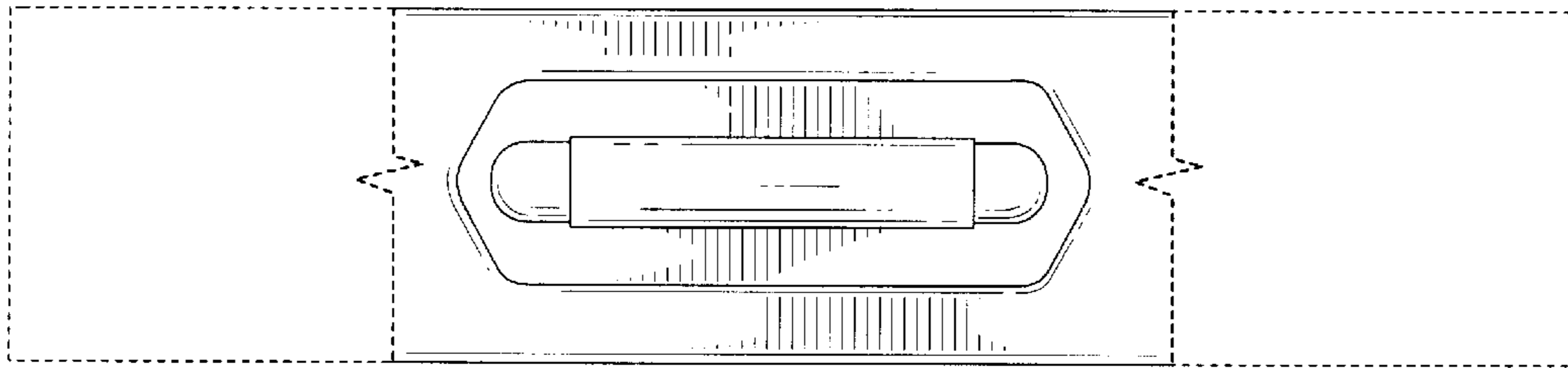


FIG. 1



**FIG. 2**

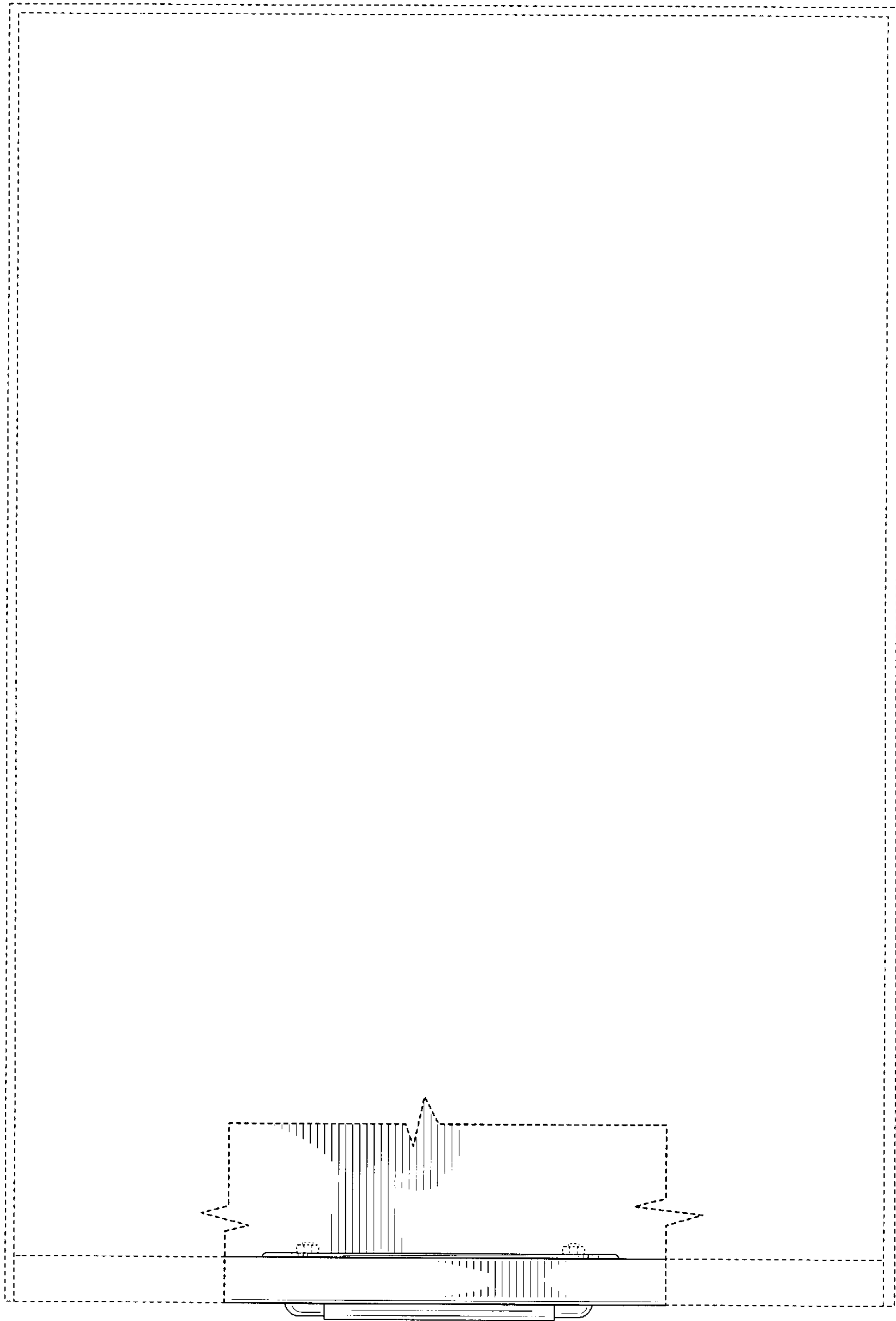
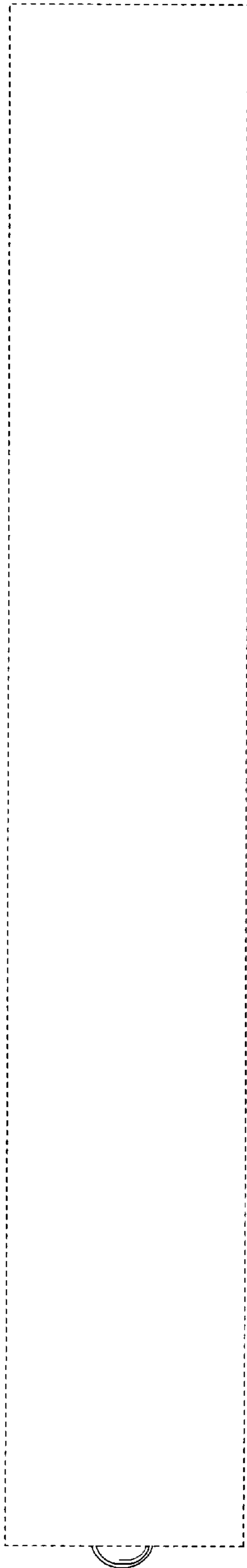


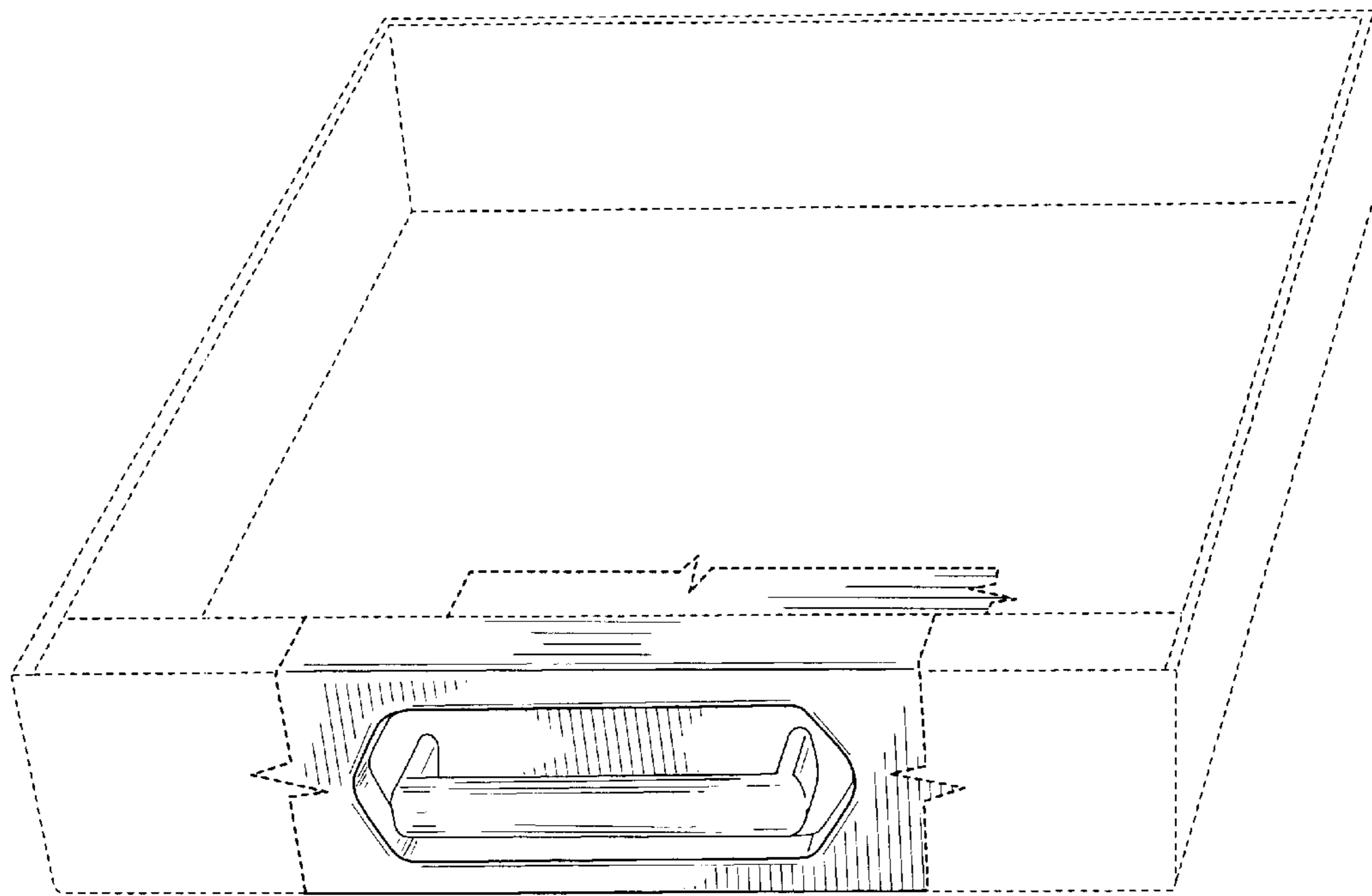
FIG. 3



*FIG. 4*

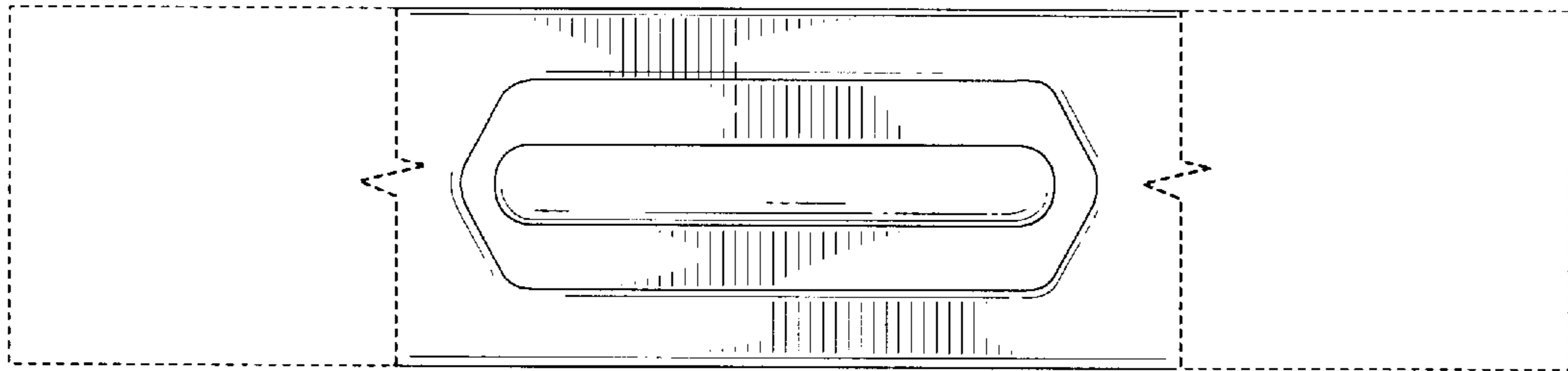


**FIG. 5**



**FIG. 6**





**FIG. 7**

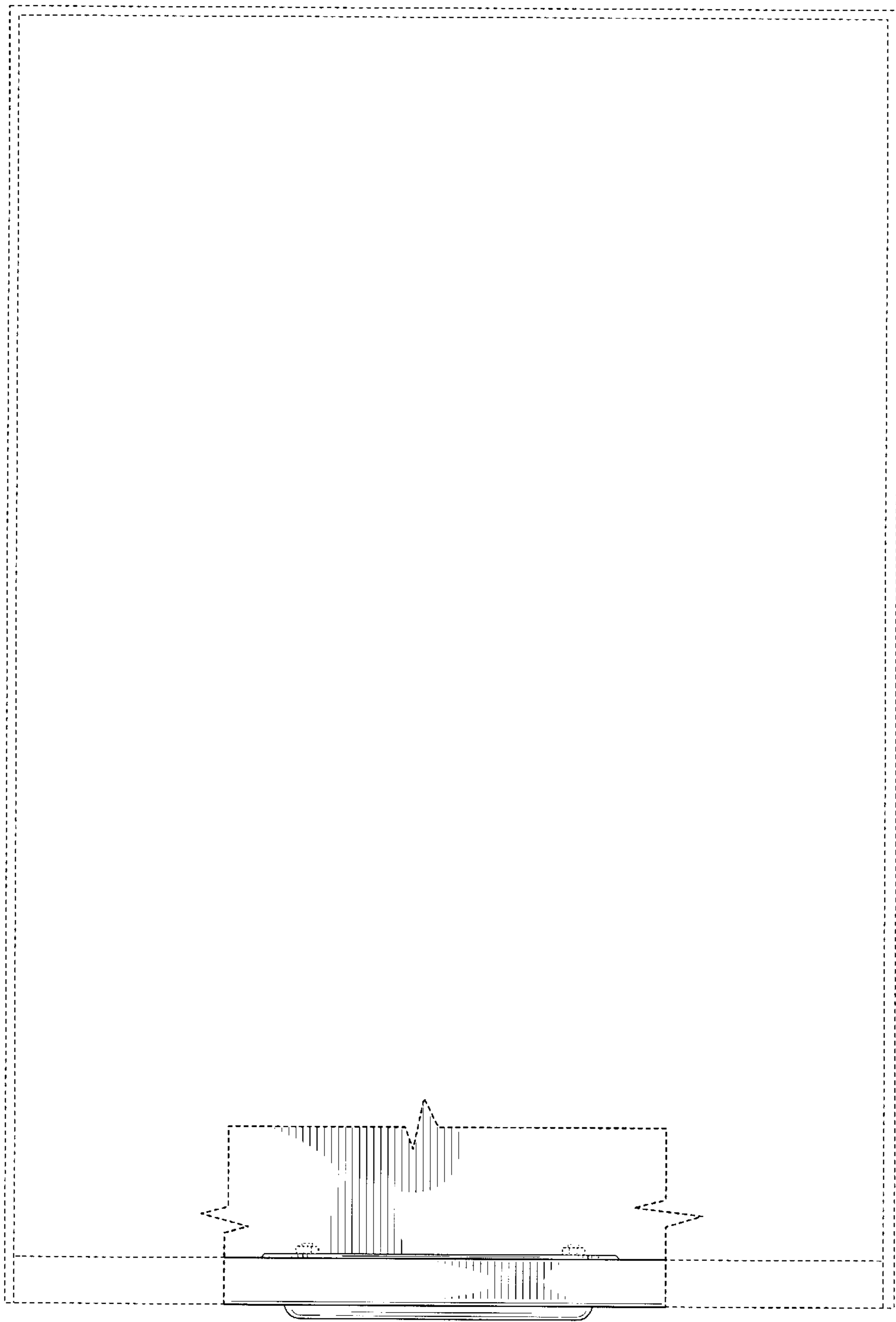
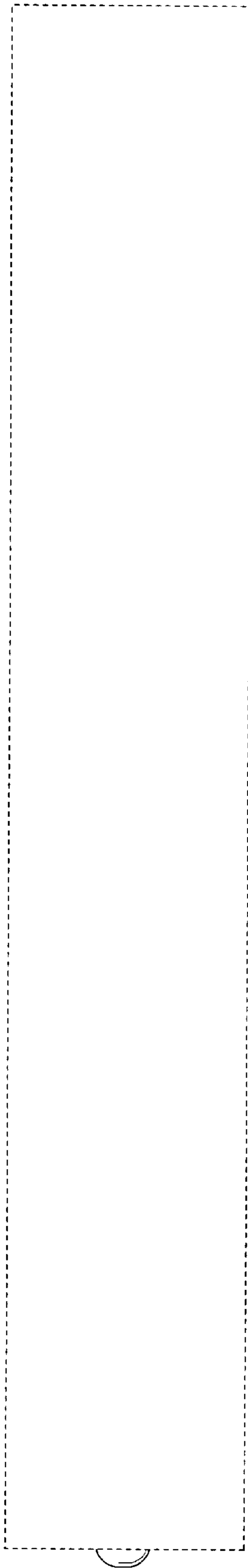
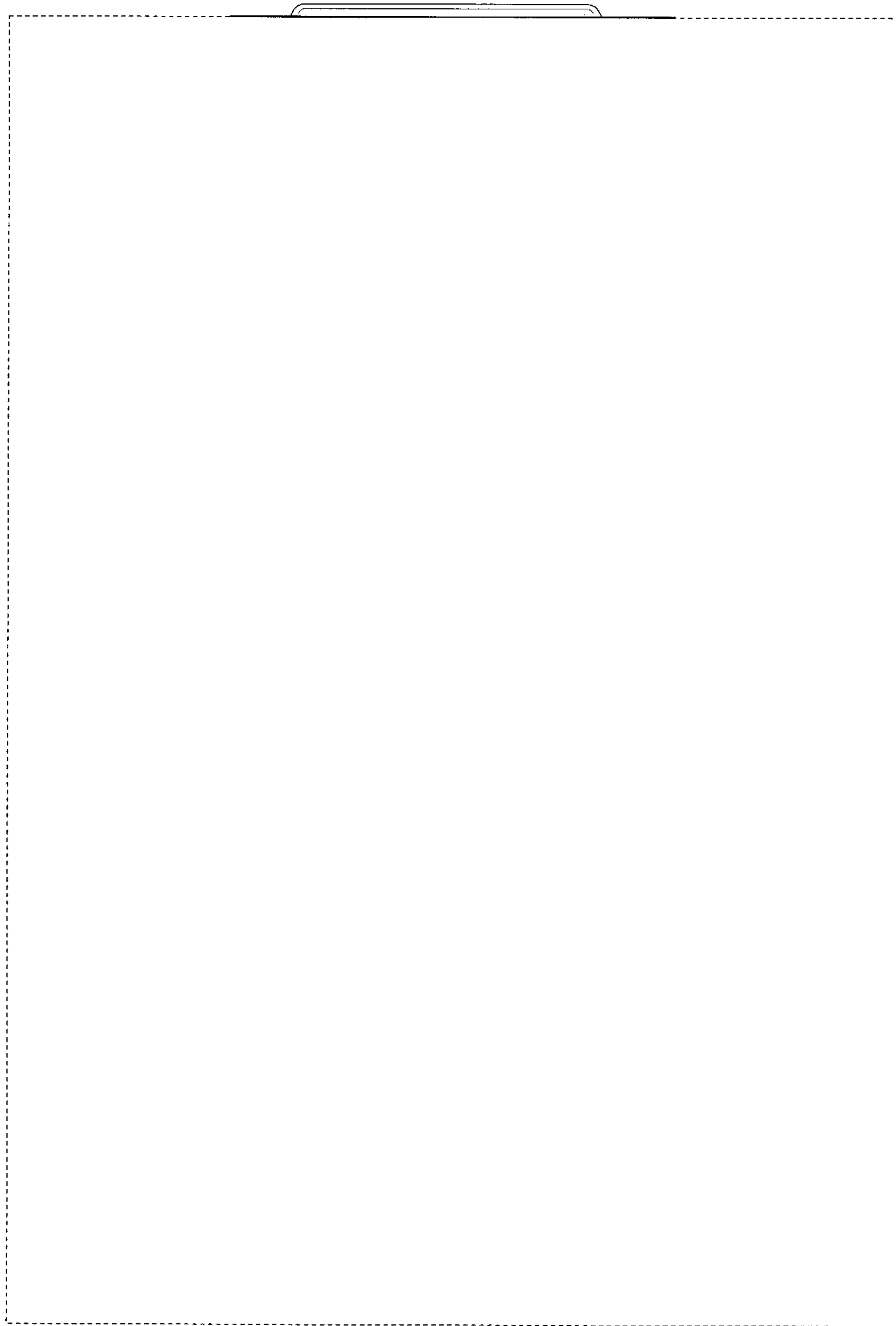


FIG. 8



**FIG. 9**



***FIG. 10***