



US00D531778S

(12) **United States Design Patent**
Liao

(10) **Patent No.:** **US D531,778 S**

(45) **Date of Patent:** **** Nov. 7, 2006**

(54) **GOLF CART**

(75) Inventor: **Gordon Liao**, Yung Kang (TW)

(73) Assignee: **Unique Product & Design Co., Ltd.**,
Yung Kang (TW)

(**) Term: **14 Years**

(21) Appl. No.: **29/237,682**

(22) Filed: **Sep. 1, 2005**

(51) **LOC (8) Cl.** **12-13**

(52) **U.S. Cl.** **D34/15**

(58) **Field of Classification Search** D34/12-27;
280/646, 652, 47.24, 47.26, 654, 655, 39,
280/40, 79.11, 33.991, 33.992, 33.993; 180/19.1,
180/19.3

See application file for complete search history.

(56) **References Cited**

U.S. PATENT DOCUMENTS

D423,746 S	*	4/2000	Liao	D34/15
D448,906 S	*	10/2001	Wu	D34/15
D450,167 S	*	11/2001	Liao	D34/15
D450,902 S	*	11/2001	Liao	D34/15
D454,996 S	*	3/2002	Liao	D34/15

D462,152 S	*	8/2002	Liao	D34/15
D468,511 S	*	1/2003	Liu	D34/15
6,698,789 B1	*	3/2004	Reimers et al.	280/651
D488,279 S	*	4/2004	Wu	D34/15
D502,303 S	*	2/2005	Wu	D34/15

* cited by examiner

Primary Examiner—Freda S. Nunn

Assistant Examiner—Kevin K. Rudzinski

(74) *Attorney, Agent, or Firm*—Alan D. Kamrath; Nikolai & Mersereau, P.A.

(57) **CLAIM**

The ornamental design for a golf cart, as shown and described.

DESCRIPTION

FIG. 1 is a perspective view of a golf cart showing my design;

FIG. 2 is a front elevational view thereof;

FIG. 3 is a rear elevational view thereof;

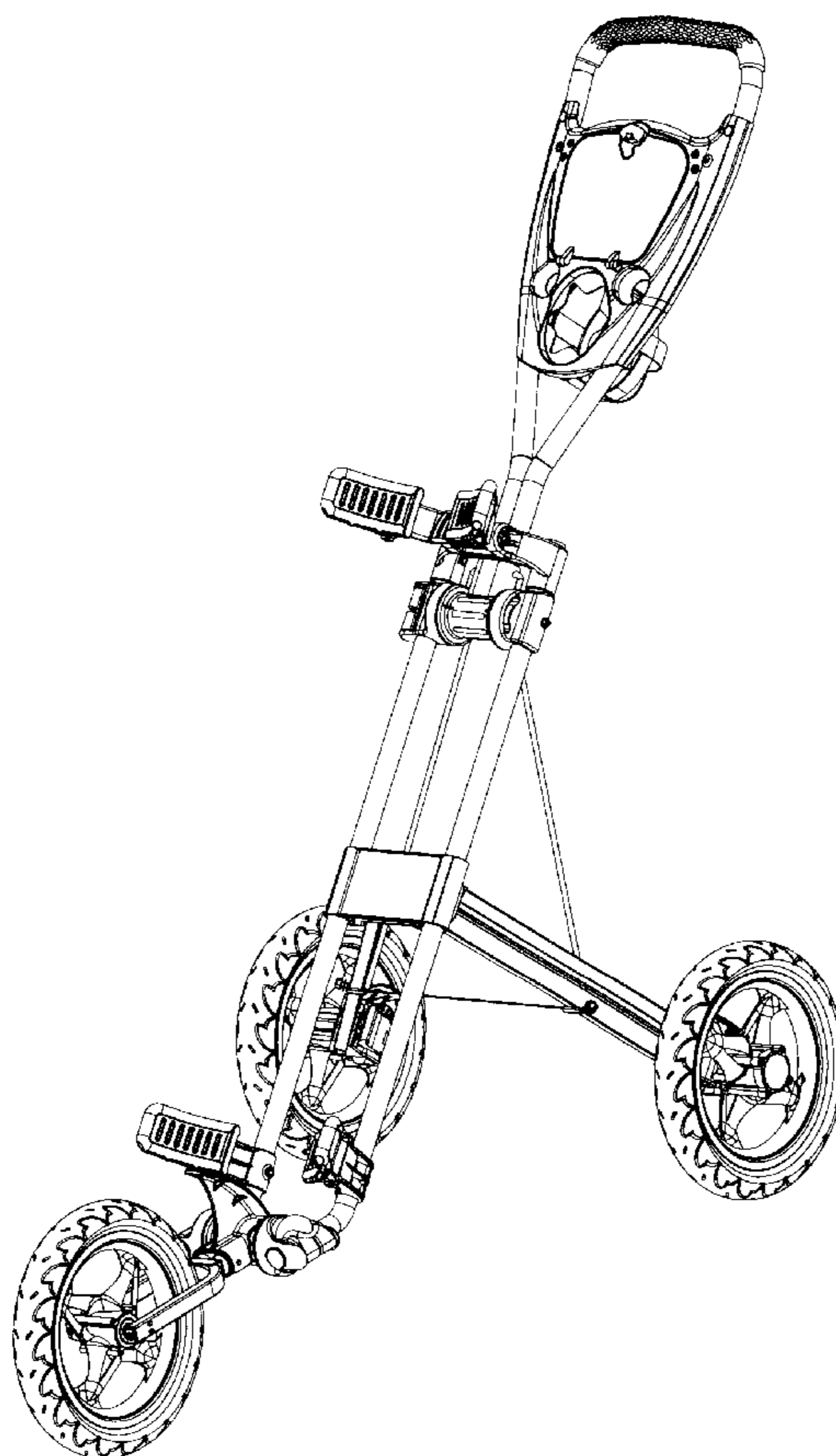
FIG. 4 is a left side elevational view thereof;

FIG. 5 is a right side elevational view thereof;

FIG. 6 is a top plan view thereof; and,

FIG. 7 is a bottom plan view thereof.

1 Claim, 7 Drawing Sheets



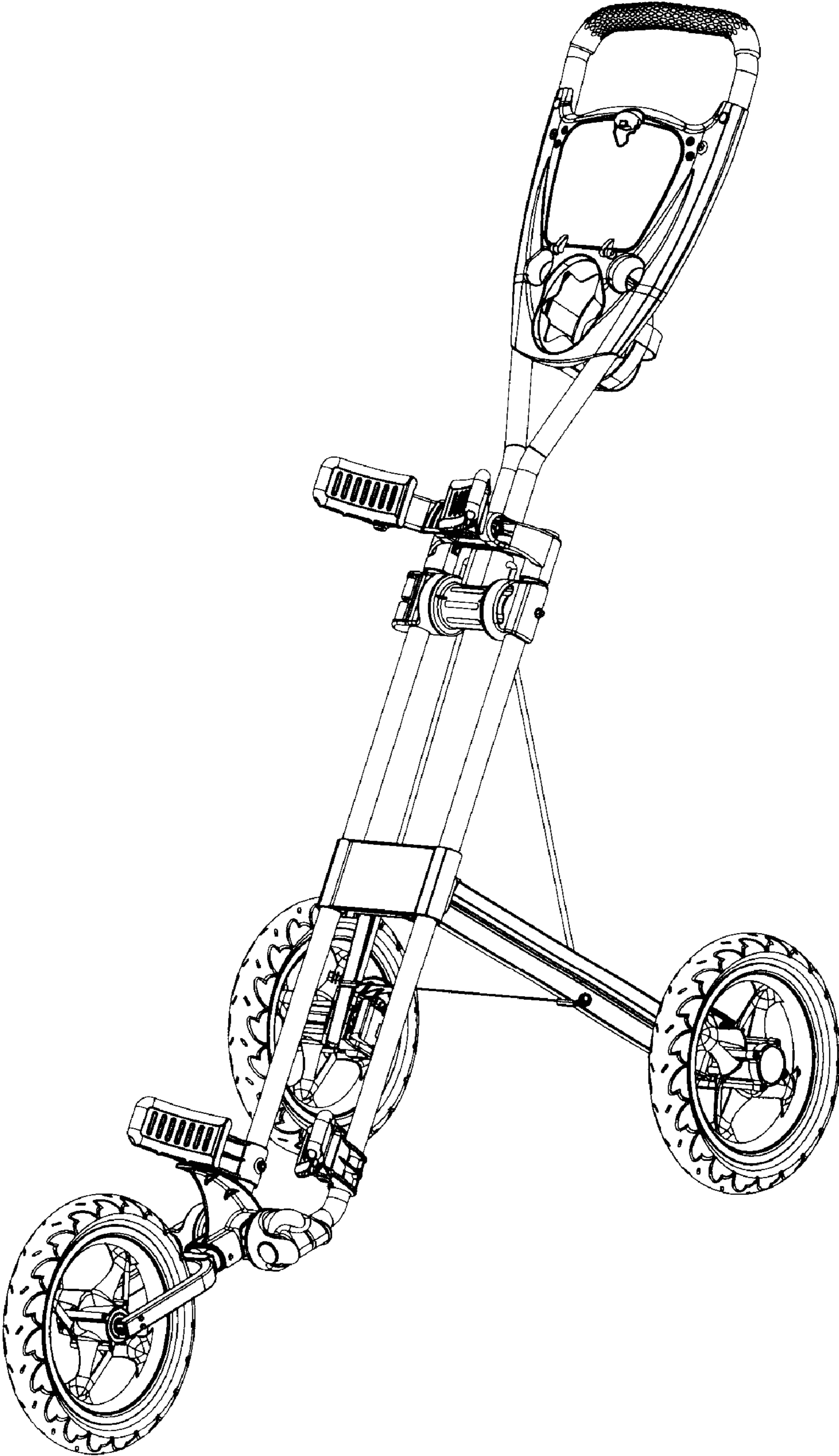


FIG. 1

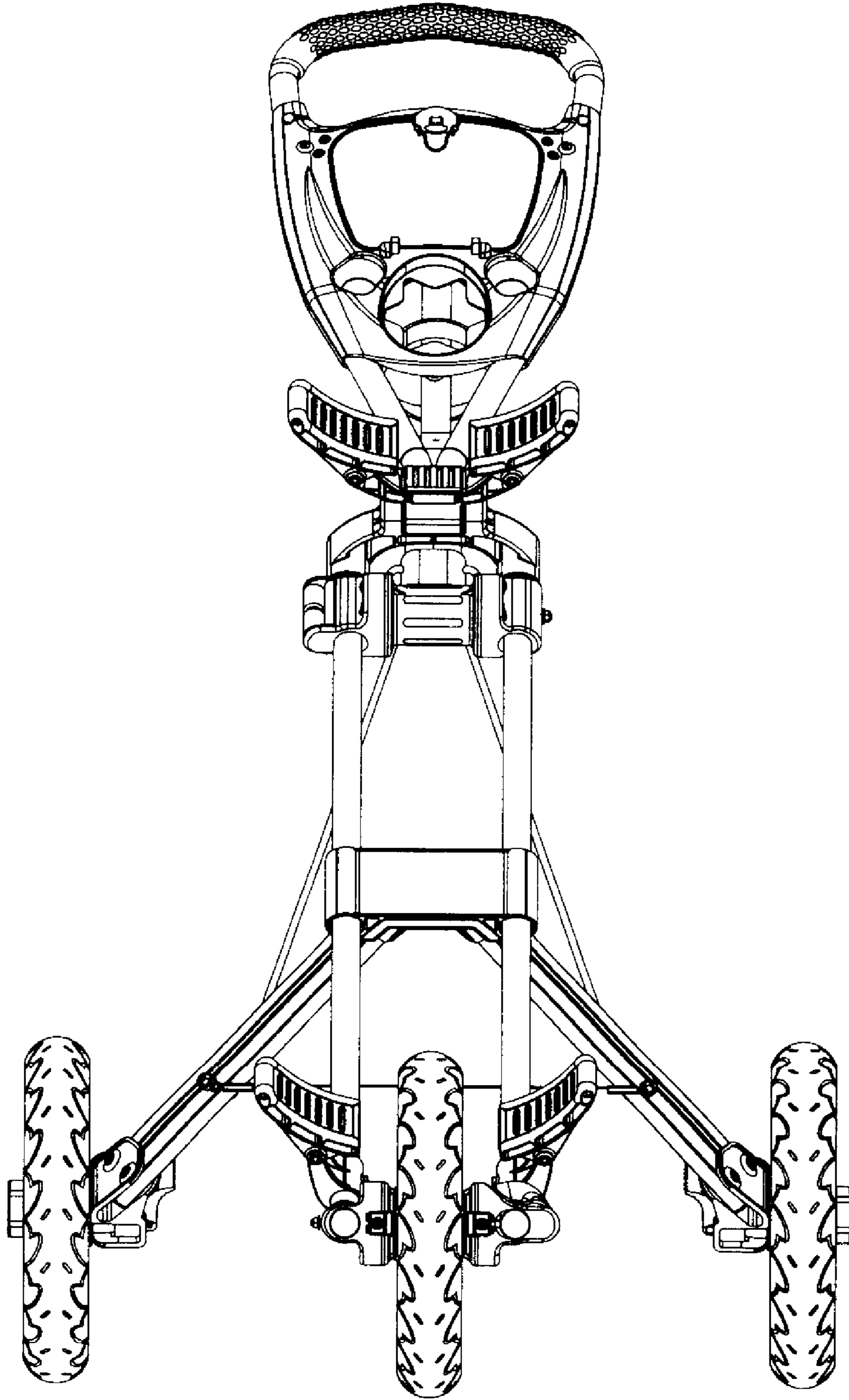


FIG. 2

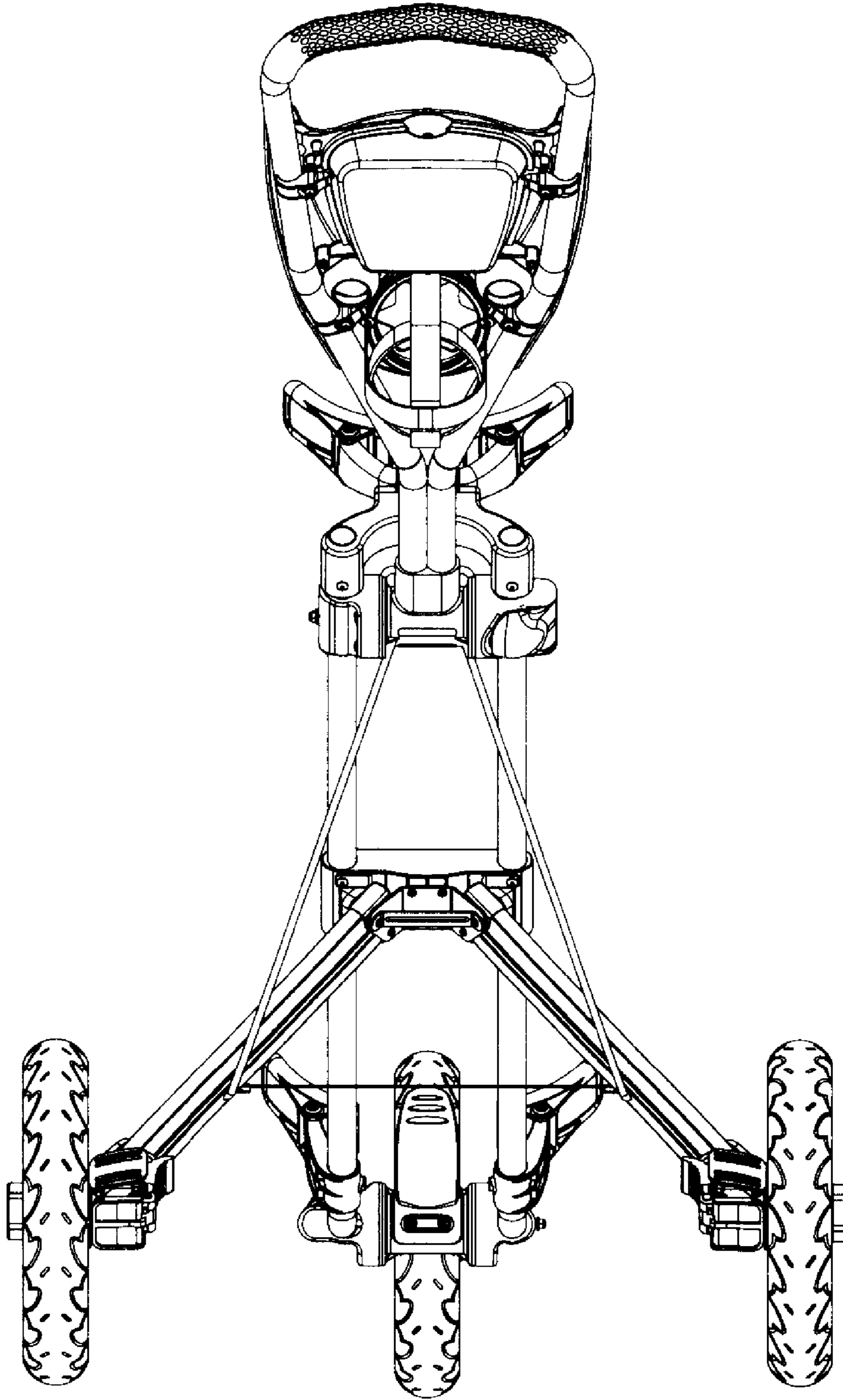


FIG. 3

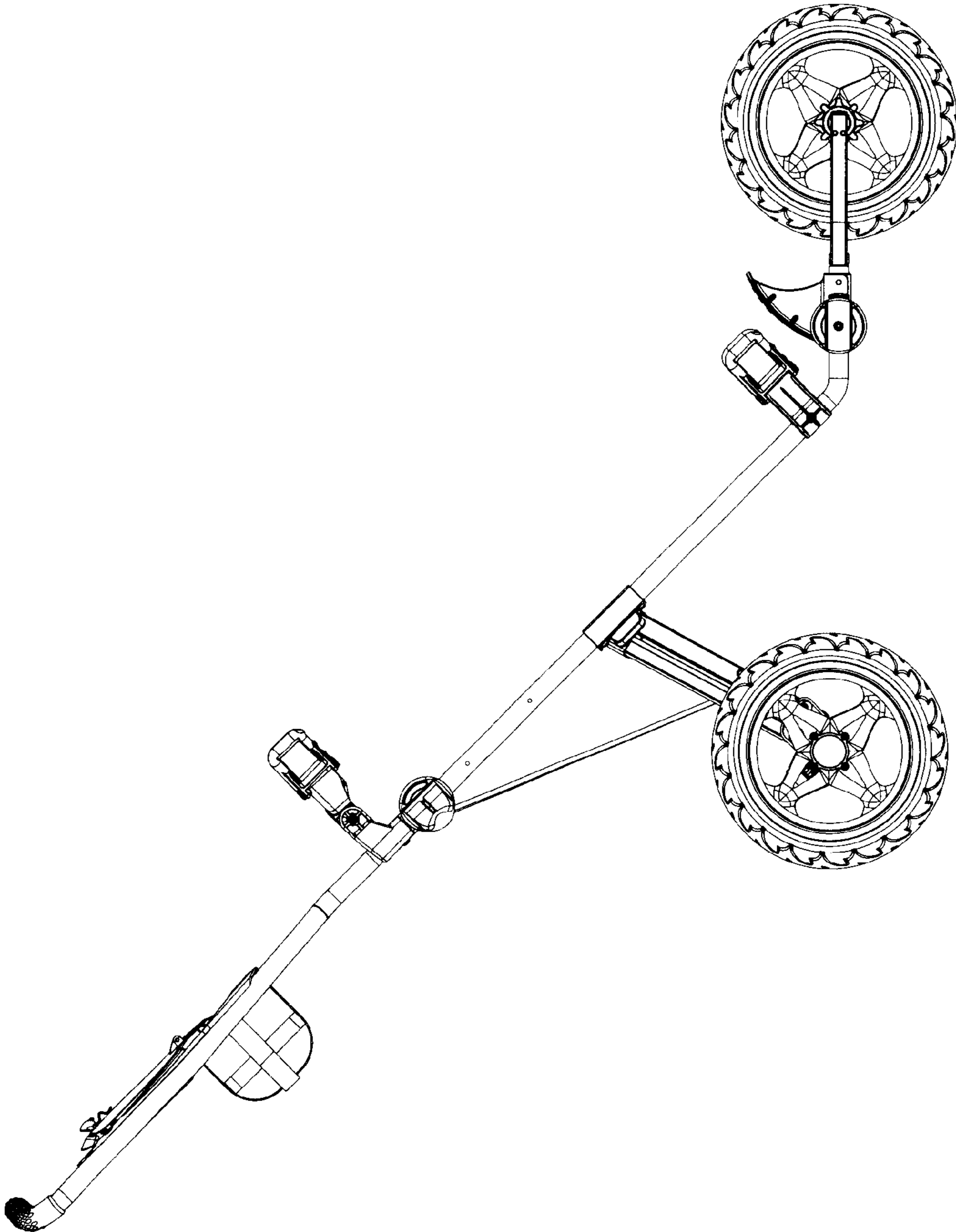


FIG. 4

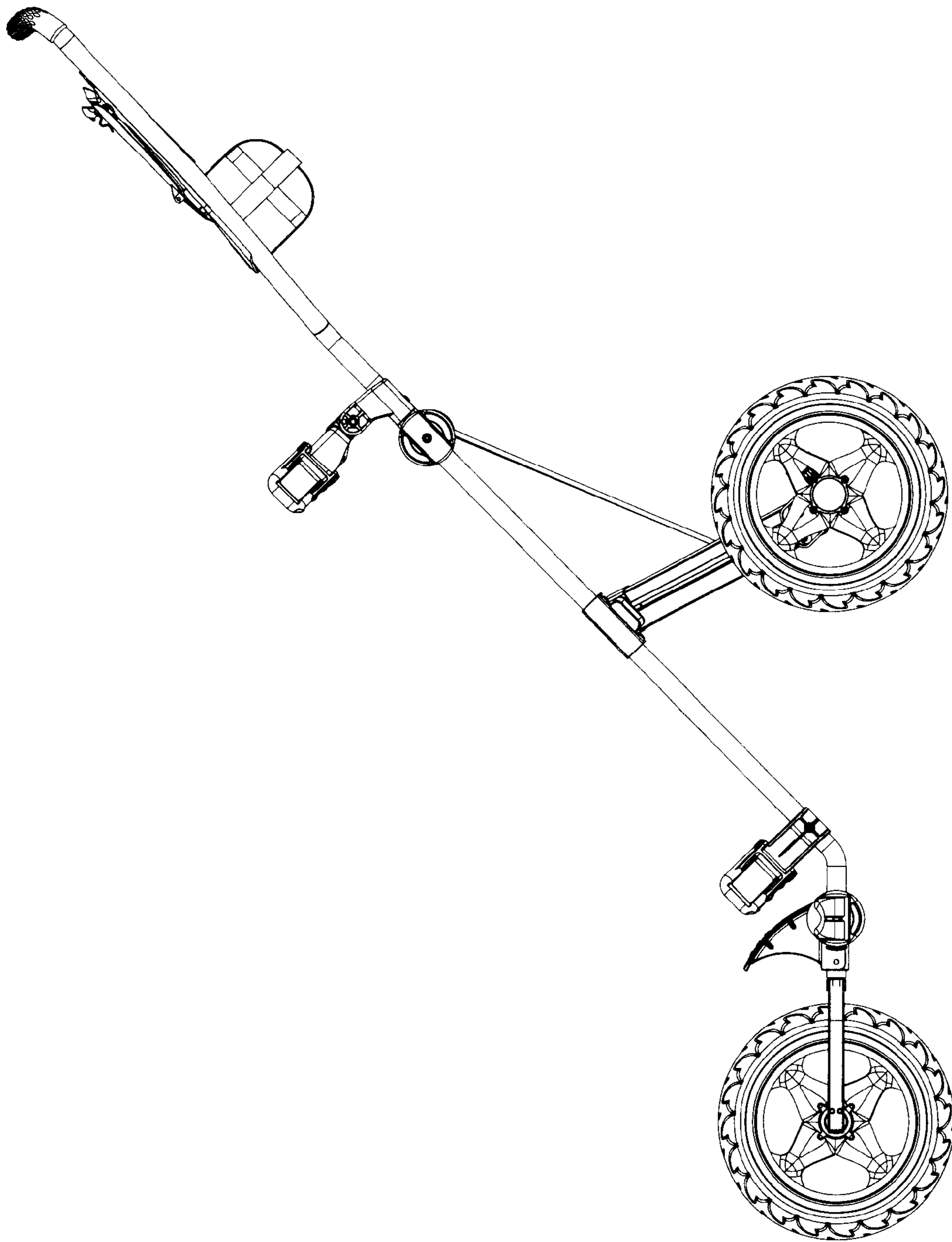


FIG. 5

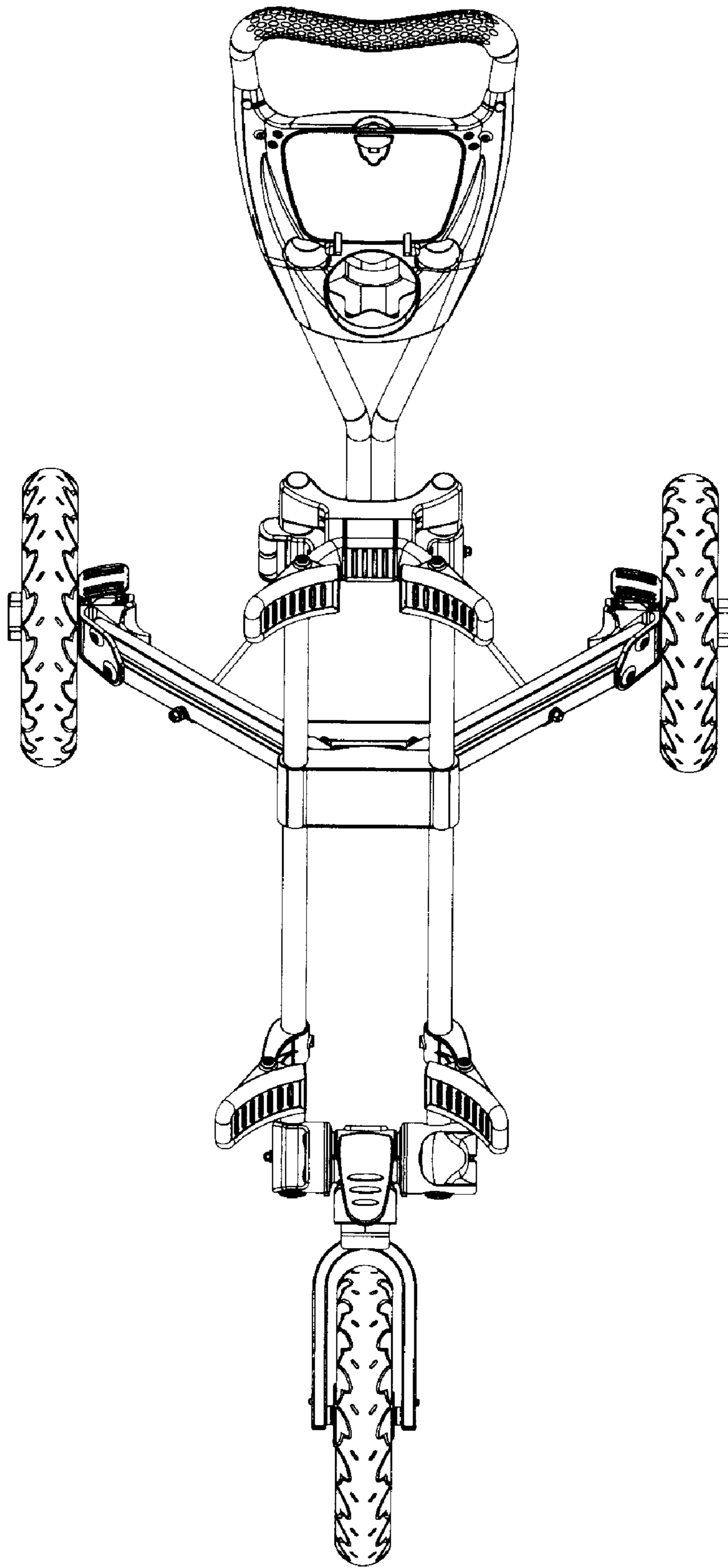


FIG. 6

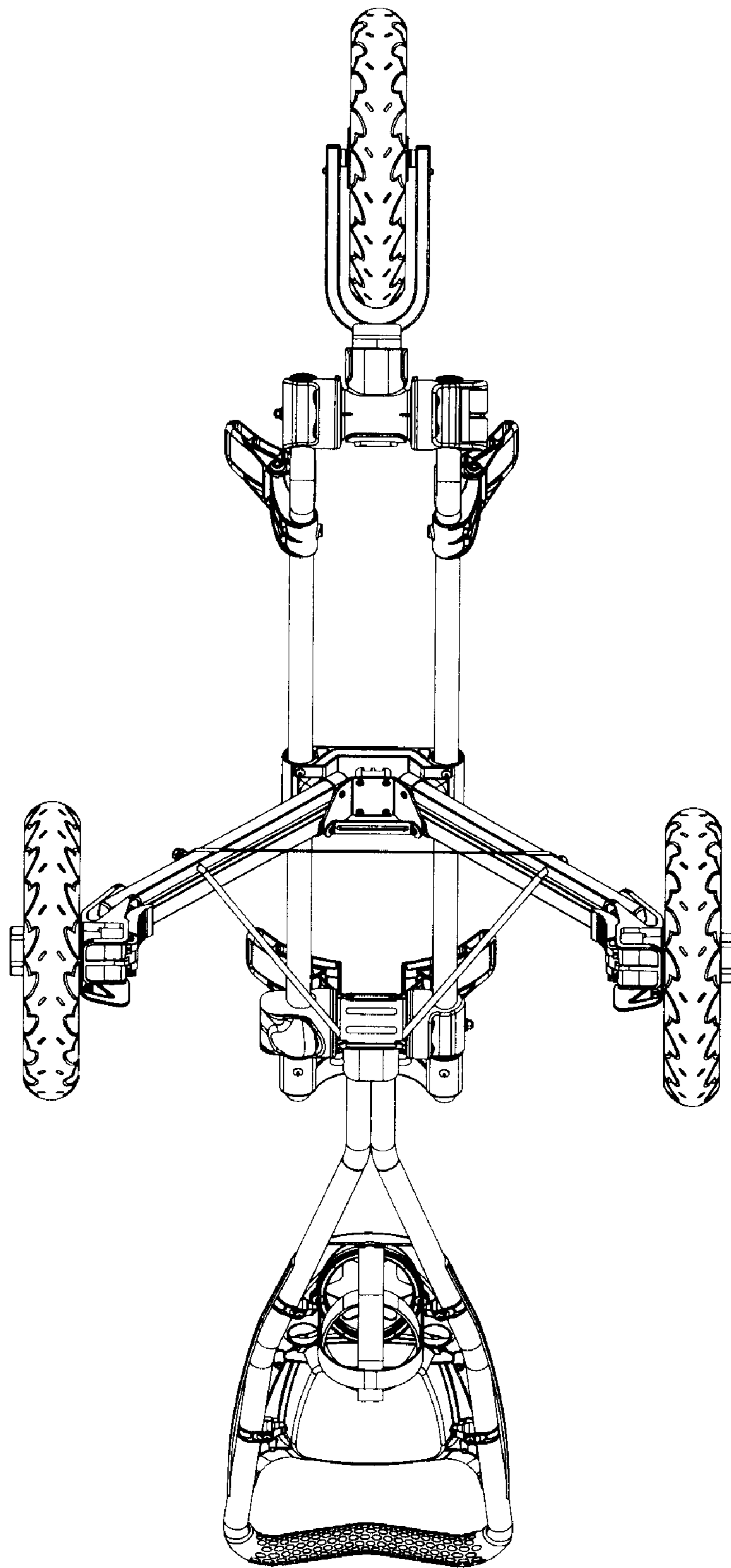


FIG. 7