



US00D531777S

(12) **United States Design Patent**
Richter

(10) **Patent No.:** **US D531,777 S**

(45) **Date of Patent:** **** Nov. 7, 2006**

(54) **AMENITY UNIT**

(75) **Inventor:** **Gary M. Richter**, Waukesha, WI (US)

(73) **Assignee:** **DCI Marketing, Inc.**, Milwaukee, WI (US)

(**) **Term:** **14 Years**

(21) **Appl. No.:** **29/199,567**

(22) **Filed:** **Feb. 17, 2004**

(51) **LOC (8) Cl.** **09-09**

(52) **U.S. Cl.** **D34/6; D6/398**

(58) **Field of Classification Search** D15/151;
D6/396-398; D34/1, 5, 6, 7, 8, 9, 10, 11;
220/908, 908.1, 911-913

See application file for complete search history.

(56) **References Cited**

U.S. PATENT DOCUMENTS

D40,166 S	7/1909	McLean	
1,184,674 A	5/1916	Gasser et al.	
1,763,306 A	6/1930	Hendrickson	
2,432,455 A	12/1947	Smith	
2,571,071 A	10/1951	Smith	
2,584,382 A	2/1952	Earle	
2,834,506 A	5/1958	Schaefer, Jr.	
3,728,003 A	4/1973	Bohannon	
3,793,756 A *	2/1974	Kay et al.	40/306
4,130,214 A	12/1978	Sobson	
D272,263 S	1/1984	Lienhard	
D273,147 S	3/1984	Iverson	
4,726,634 A *	2/1988	Deweese et al.	312/100
4,759,470 A *	7/1988	Jacobs	221/97
4,820,003 A	4/1989	Lloyd	
4,948,004 A *	8/1990	Chich	220/495.08

4,989,426 A	2/1991	Kretchman et al.	
D331,100 S	11/1992	Jacobsen et al.	
D338,756 S *	8/1993	Pink et al.	D34/1
5,294,012 A	3/1994	Shott et al.	
D360,643 S *	7/1995	Whittington	D15/151
D365,900 S	1/1996	Kamm	
5,487,203 A *	1/1996	Brach et al.	15/245
D382,058 S	8/1997	Ellman et al.	
D388,922 S *	1/1998	Peters	D34/1
D393,510 S *	4/1998	Creske	D34/1
D402,820 S *	12/1998	Morison et al.	D6/397
6,003,706 A	12/1999	Rosen	
D442,753 S *	5/2001	Weiss et al.	D34/1
6,364,147 B1 *	4/2002	Meinzinger et al. ...	220/495.06
D461,611 S *	8/2002	Weiss et al.	D34/1
D495,845 S *	9/2004	Lauer	D34/1

* cited by examiner

Primary Examiner—Cynthia E. Ramirez

(74) *Attorney, Agent, or Firm*—Brian G. Gilpin; Godfrey & Kahn, S.C.

(57) **CLAIM**

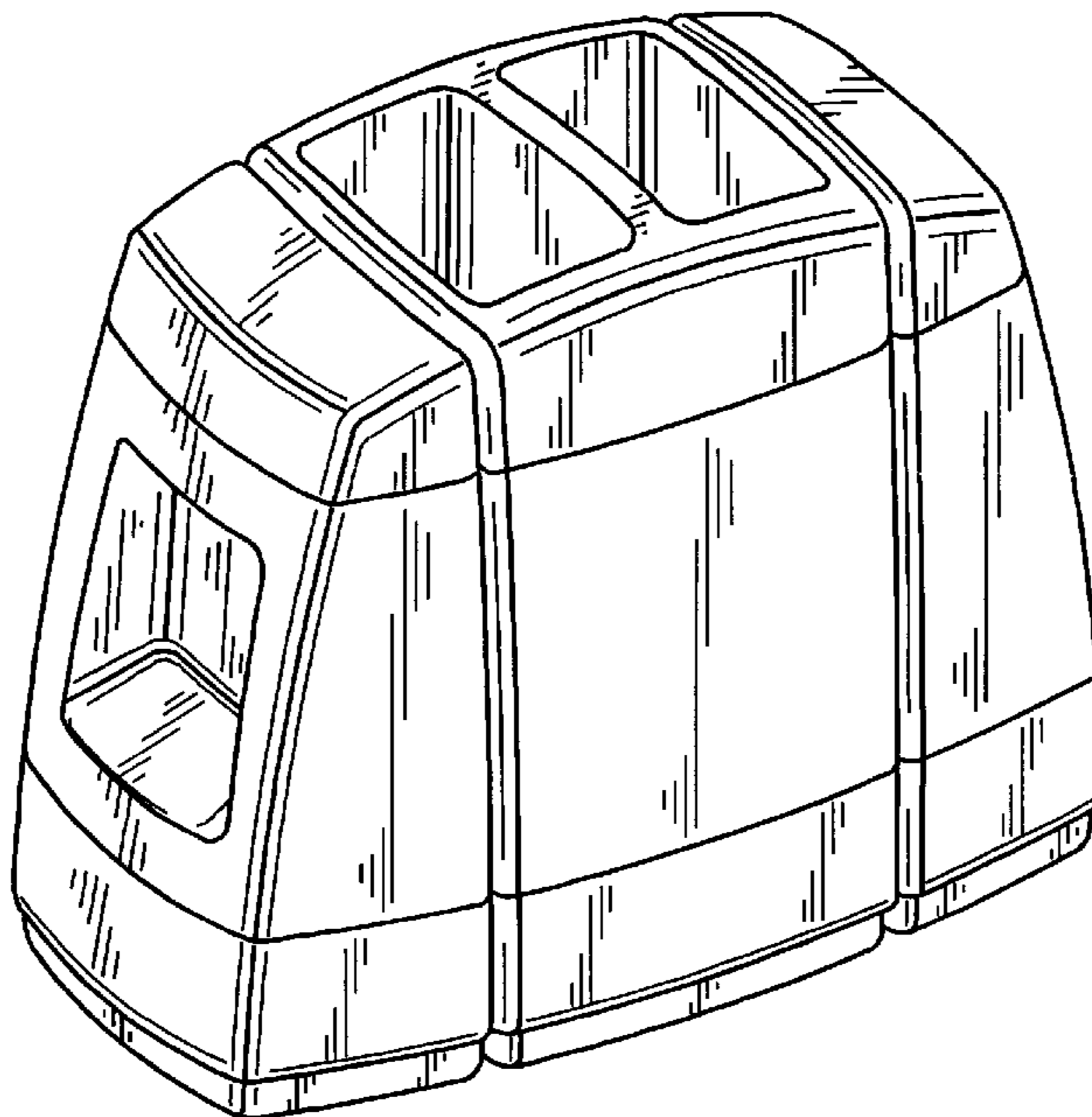
The ornamental design for an amenity unit, as shown and described.

DESCRIPTION

FIG. 1 is a front perspective view of an amenity unit.
FIG. 2 is a front perspective view of the amenity unit.
FIG. 3 is a top plan view of the amenity unit.
FIG. 4 is a side view of the amenity unit; and,
FIG. 5 is a side view of the amenity unit.

The ornamental design which is claimed is shown in solid lines in the drawings. The broken line disclosure is for illustrative purposes only and forms no part of the claimed design.

1 Claim, 2 Drawing Sheets



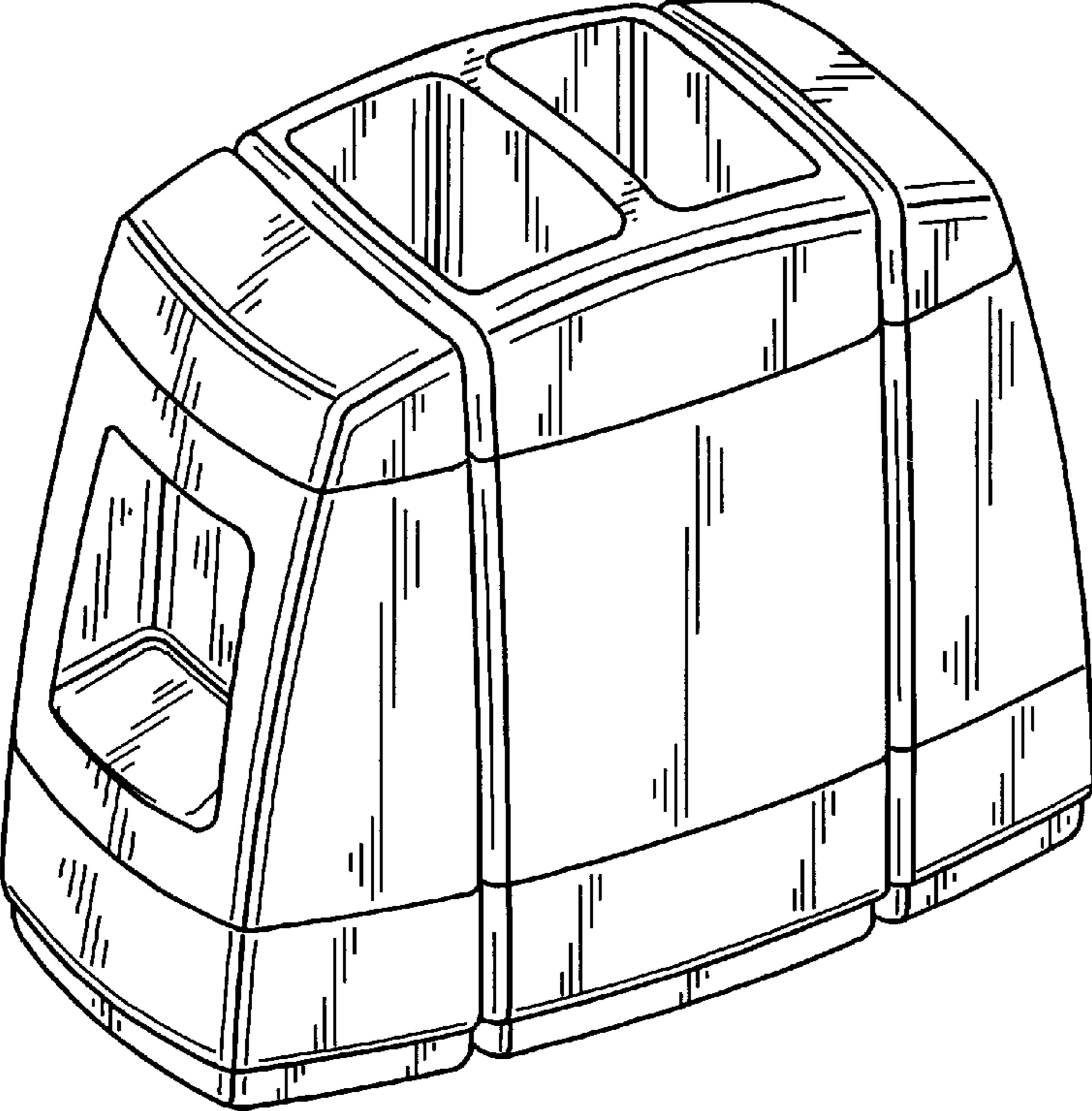


FIG. 1

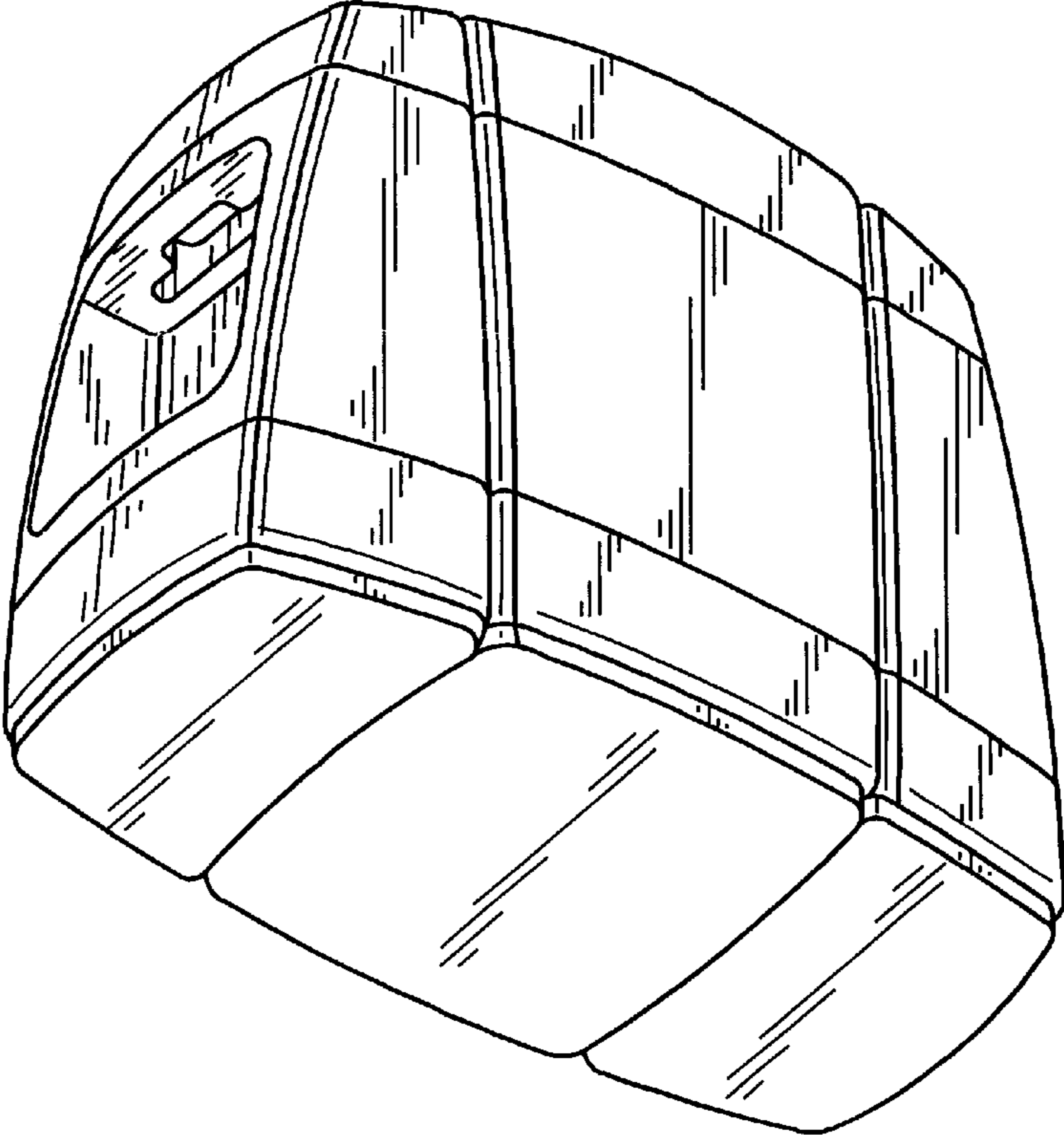


FIG. 2

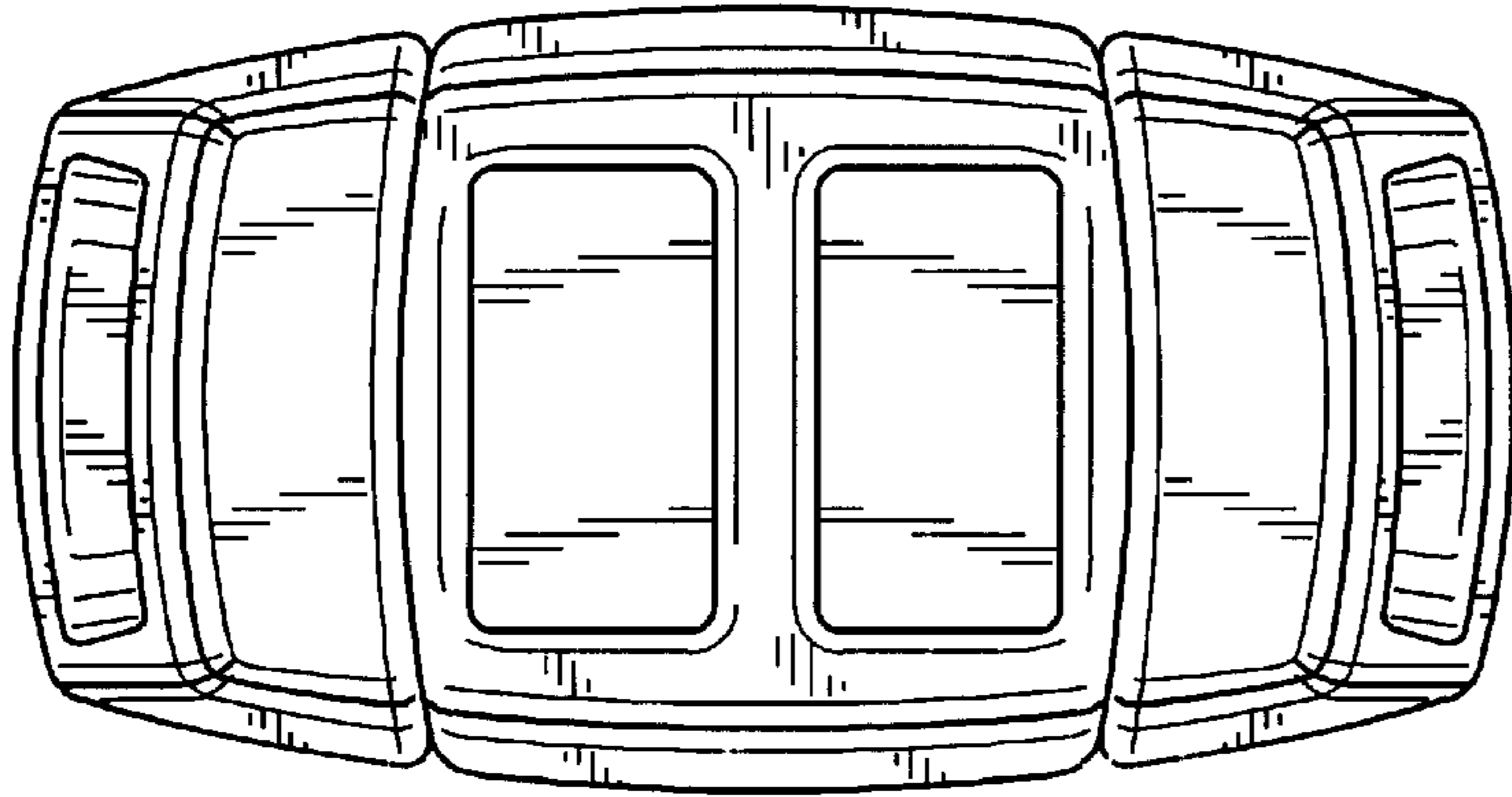


FIG. 3

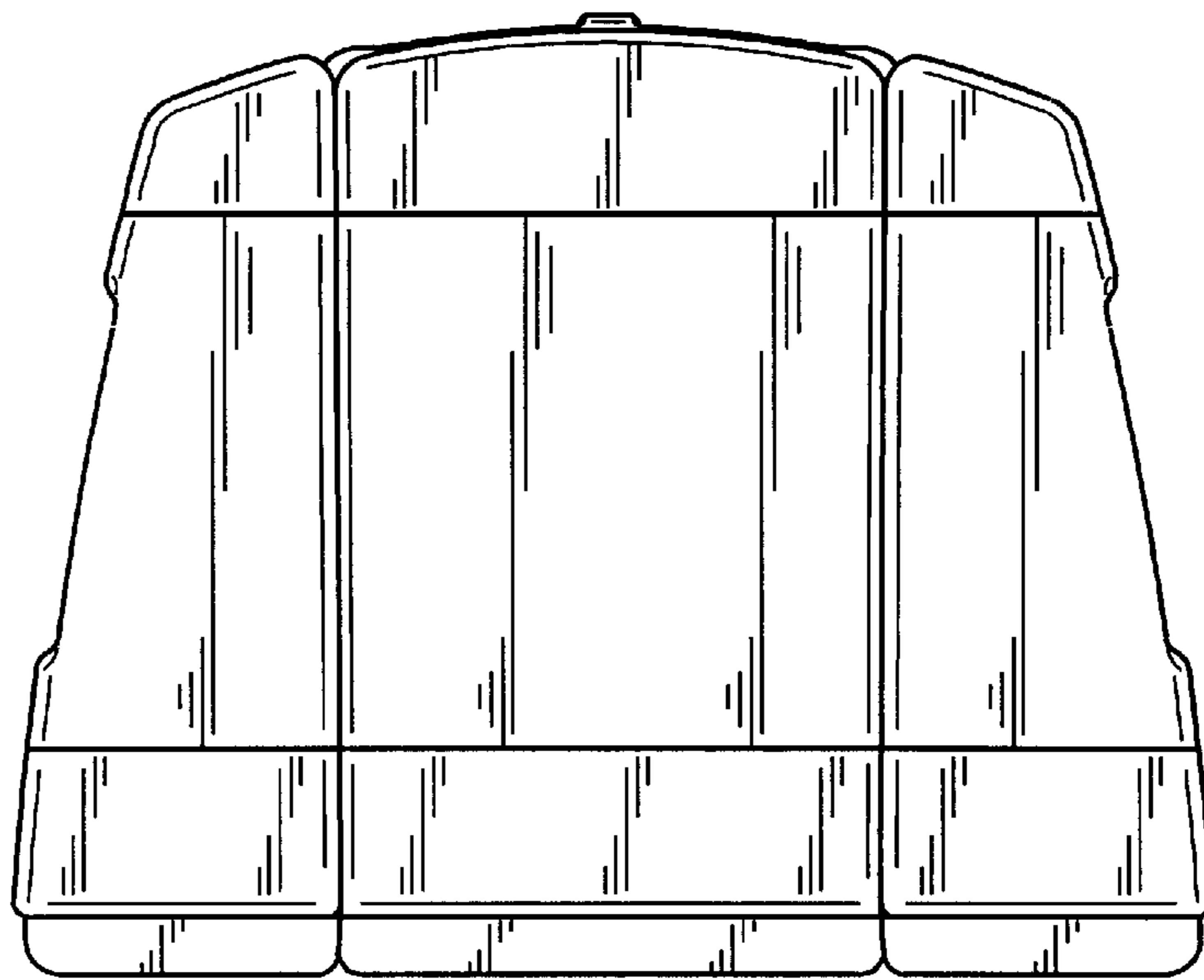


FIG. 4

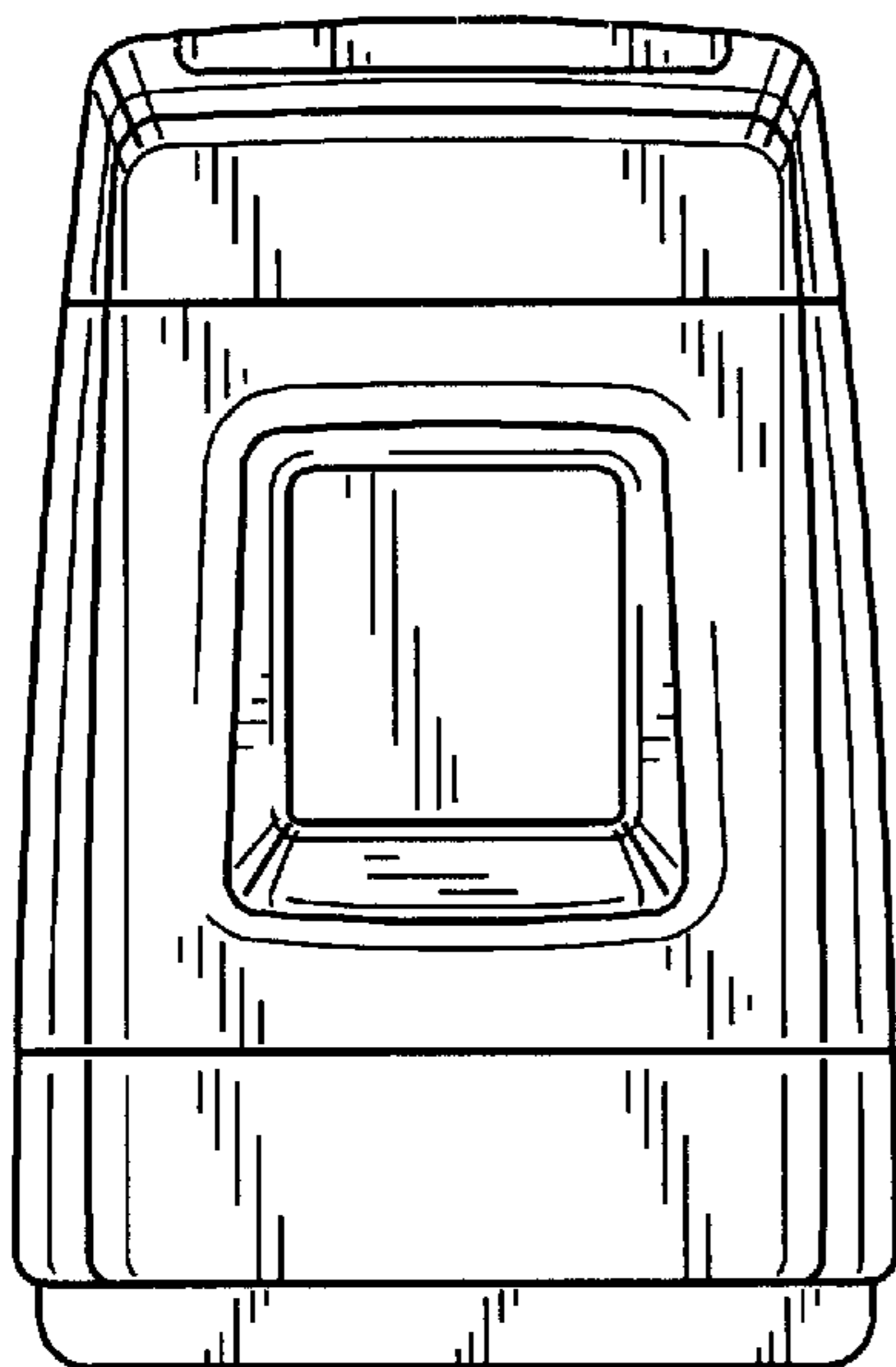


FIG. 5