



US00D531773S

(12) **United States Design Patent**
Leung

(10) **Patent No.:** **US D531,773 S**

(45) **Date of Patent:** **** Nov. 7, 2006**

(54) **STEAM IRON**

(75) Inventor: **Albert Yat Cheong Leung**, Kowloon
(HK)

(73) Assignee: **Tunbow Electrical Limited**, Kowloon
(HK)

(**) Term: **14 Years**

(21) Appl. No.: **29/195,139**

(22) Filed: **Dec. 5, 2003**

(51) **LOC (8) Cl.** **07-05**

(52) **U.S. Cl.** **D32/70**

(58) **Field of Classification Search** D32/68-72;
38/74-75, 77.1-77.9, 90-97; 219/245-248
See application file for complete search history.

(56) **References Cited**

U.S. PATENT DOCUMENTS

D326,939 S	*	6/1992	Gudefin	D32/70
D326,940 S	*	6/1992	Barrault	D32/70
D327,150 S	*	6/1992	Gudefin et al.	D32/70
D327,151 S		6/1992	Rohner et al.		
D340,329 S		10/1993	Barrault		
D340,330 S		10/1993	Seguljic		
D342,814 S		12/1993	Bergeron		
D344,829 S		3/1994	Levin		
D349,377 S		8/1994	Stützer et al.		
D360,509 S		7/1995	Maeda et al.		
D364,019 S		11/1995	Reibl		
D364,950 S		12/1995	Classen		
D365,899 S		1/1996	Wai		
D367,138 S	*	2/1996	Laborda	D32/70
D368,348 S		3/1996	Loomis et al.		
D369,004 S		4/1996	Reibl		
D369,005 S		4/1996	Stützer et al.		
D369,890 S		5/1996	Reibl		
D370,102 S		5/1996	Muller		
D370,103 S		5/1996	Gudefin		
D371,878 S		7/1996	Muller		
D373,869 S		9/1996	Stutzer et al.		
D373,870 S		9/1996	Reibl		
D373,872 S		9/1996	Sham		

D374,956 S	*	10/1996	Hsu	D32/70
D376,455 S		12/1996	Loomis		
D381,153 S		7/1997	Loomis		
D386,863 S	*	11/1997	Lin	D32/70
D388,574 S		12/1997	Clouet		
D388,575 S		12/1997	Naft		

(Continued)

Primary Examiner—Pamela J. Burgess

(74) *Attorney, Agent, or Firm*—Brinks Hofer Gilson & Lione

(57) **CLAIM**

The ornamental design for a steam iron, as shown.

DESCRIPTION

FIG. 1 is a perspective view of a first embodiment of a steam iron showing my design.

FIG. 2 is a left-side elevational view of the embodiment of FIG. 1;

FIG. 3 is a right-side elevational view, showing the side opposite that in FIG. 2;

FIG. 4 is a top view of the embodiment of FIG. 1;

FIG. 5 is a bottom view, showing the side opposite that in FIG. 4;

FIG. 6 is a front view of the embodiment of FIG. 1;

FIG. 7 is a rear view, showing the side opposite that in FIG. 6;

FIG. 8 is a perspective view of a second embodiment of a steam iron showing my design.

FIG. 9 is a left-side elevational view of the embodiment of FIG. 8;

FIG. 10 is a right-side elevational view, showing the side opposite that in FIG. 9;

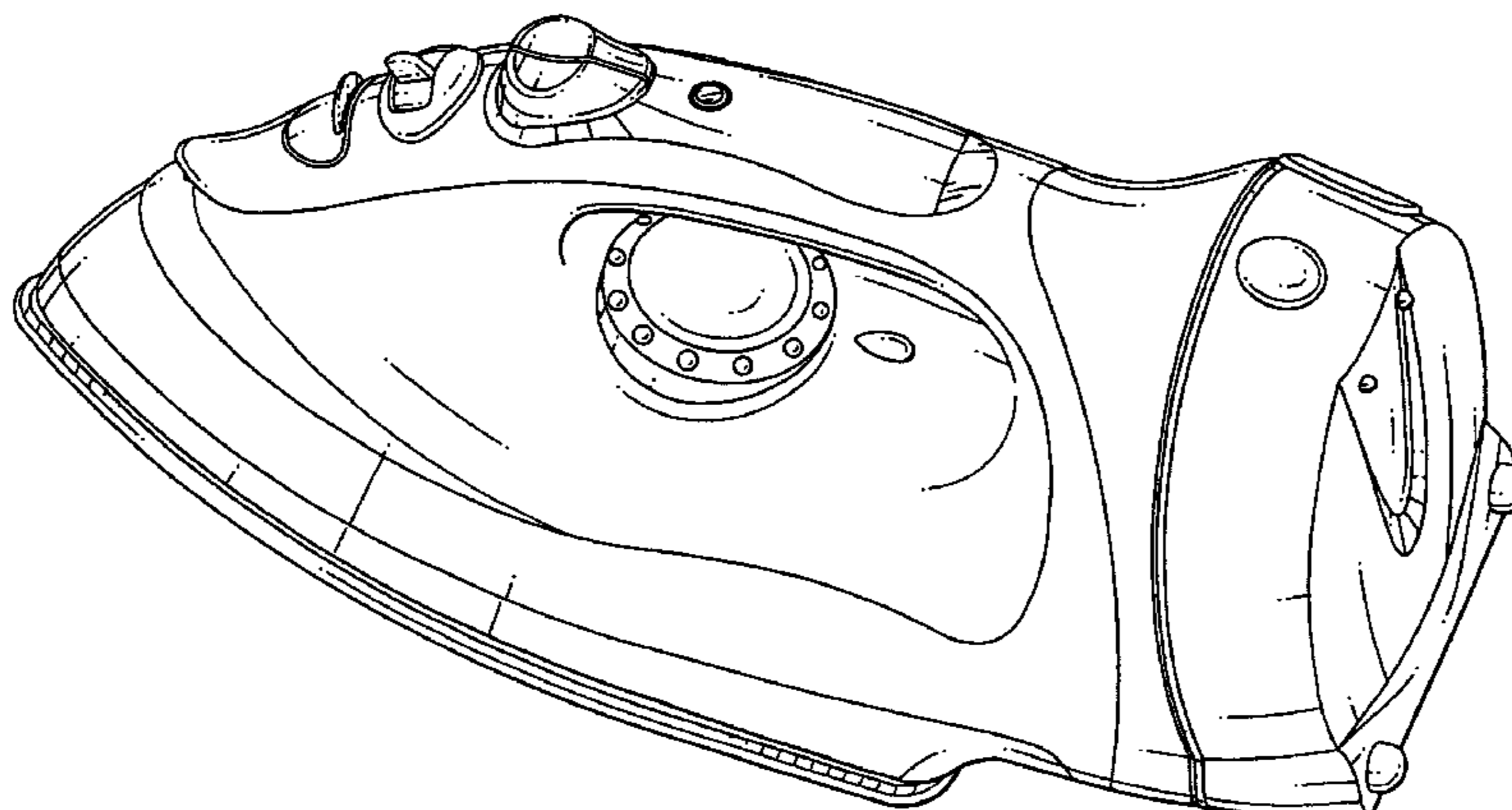
FIG. 11 is a top view of the embodiment of FIG. 8;

FIG. 12 is a bottom view, showing the side opposite that in FIG. 11;

FIG. 13 is a front view of the embodiment of FIG. 8; and, FIG. 14 is a rear view, showing the side opposite that in FIG. 13.

The dotted lines in FIGS. 1-14 are for environmental purposes only and form no part of the claimed design.

1 Claim, 14 Drawing Sheets



US D531,773 S

Page 2

U.S. PATENT DOCUMENTS

D389,622 S	1/1998	Dziersk		D456,104 S	4/2002	Saltet
D389,627 S	1/1998	Stützer et al.		D457,996 S	5/2002	Figur et al.
D389,968 S	1/1998	Sham		D459,045 S	6/2002	Figur et al.
D401,706 S	* 11/1998	Gudefin	D32/70	D459,562 S	6/2002	Page et al.
D406,933 S	3/1999	Leverrier		D464,779 S	10/2002	Garman
D408,107 S	4/1999	Clouet		D464,780 S	10/2002	Schupp
5,924,224 A	* 7/1999	Demuth et al.	38/77.8	D465,626 S	11/2002	Edmonds
D416,656 S	11/1999	Sadler		D466,260 S	11/2002	Wu
D418,649 S	1/2000	Stützer et al.		D466,663 S	12/2002	Wendt
D428,228 S	7/2000	Saltet		D468,505 S	1/2003	Fujita et al.
D429,048 S	8/2000	Brady		D470,286 S	2/2003	Hada
D430,371 S	8/2000	Brady et al.		D470,287 S	2/2003	Hada
D431,338 S	9/2000	Zanardo		D470,635 S	2/2003	Choi
D431,339 S	9/2000	Stützer et al.		D470,636 S	2/2003	Bas
D435,157 S	12/2000	Naft et al.		D472,354 S	3/2003	Figur et al.
D435,325 S	12/2000	Stützer et al.		D476,124 S	6/2003	Garman
D436,704 S	1/2001	Stützer et al.		D476,453 S	6/2003	Garman
D441,158 S	4/2001	Stützer et al.		D478,401 S	8/2003	Lee
D442,752 S	5/2001	Choi		D480,192 S	9/2003	Wendt
6,276,078 B1	* 8/2001	Beverly et al.	38/90	D480,524 S	10/2003	Wendt
D455,533 S	* 4/2002	Choi	D32/70	D480,525 S	10/2003	Wendt
D455,879 S	4/2002	Choi		D481,503 S	10/2003	Choi

* cited by examiner

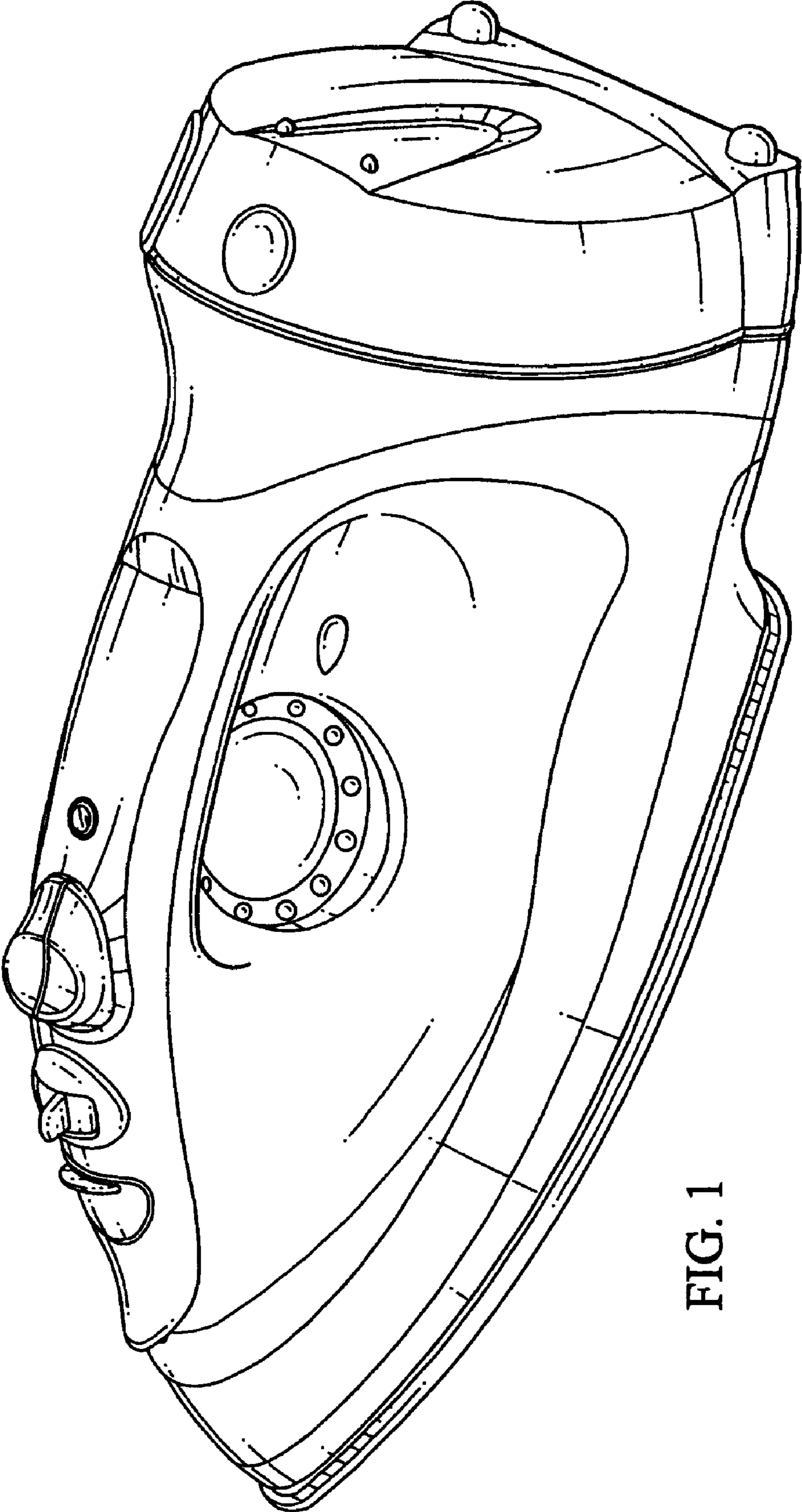


FIG. 1

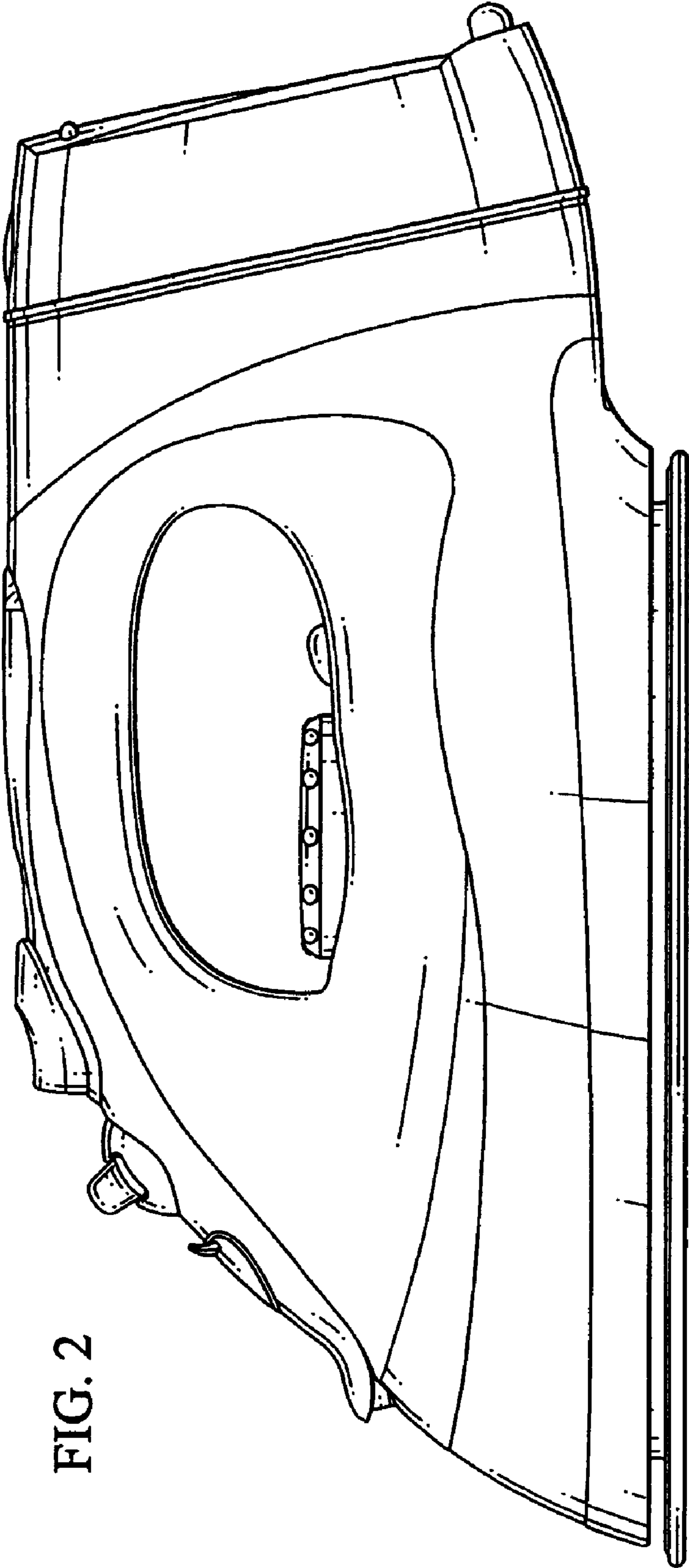
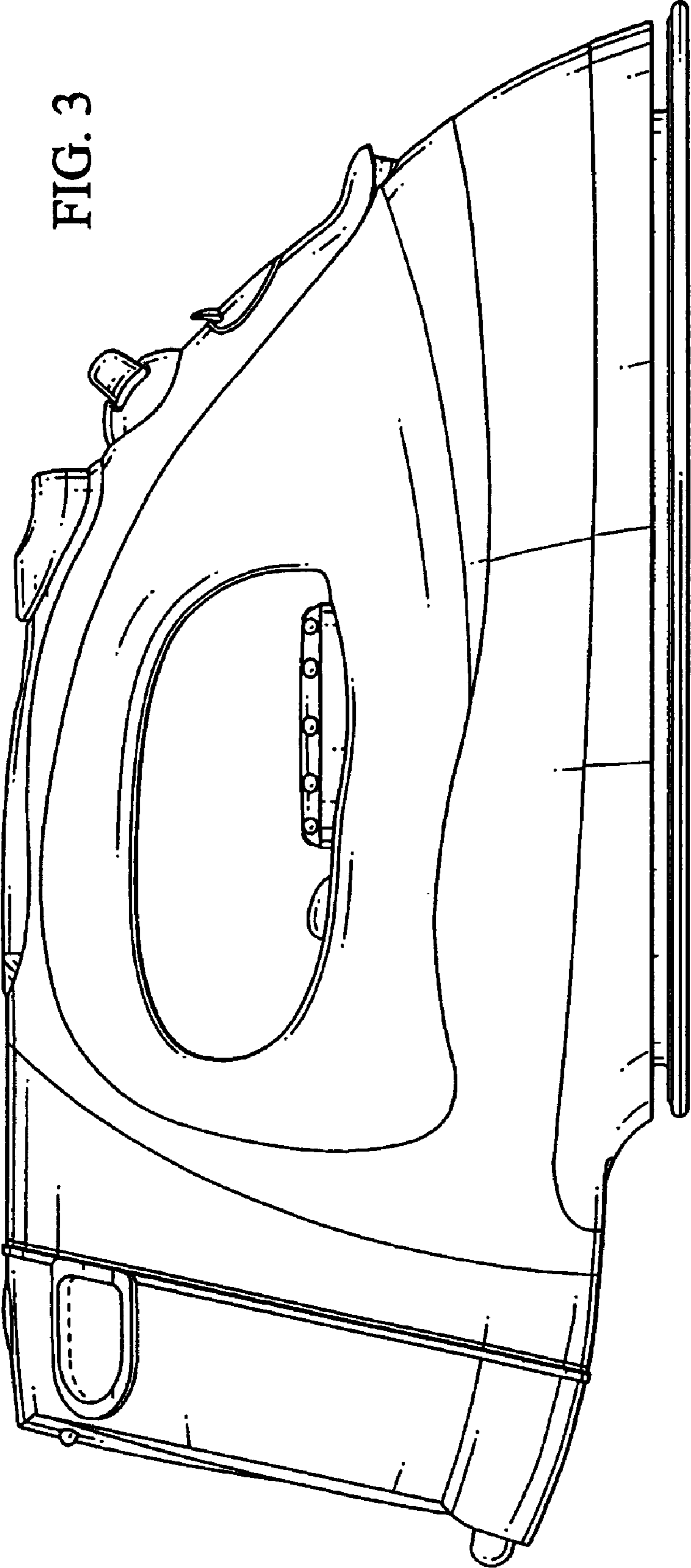


FIG. 2

FIG. 3



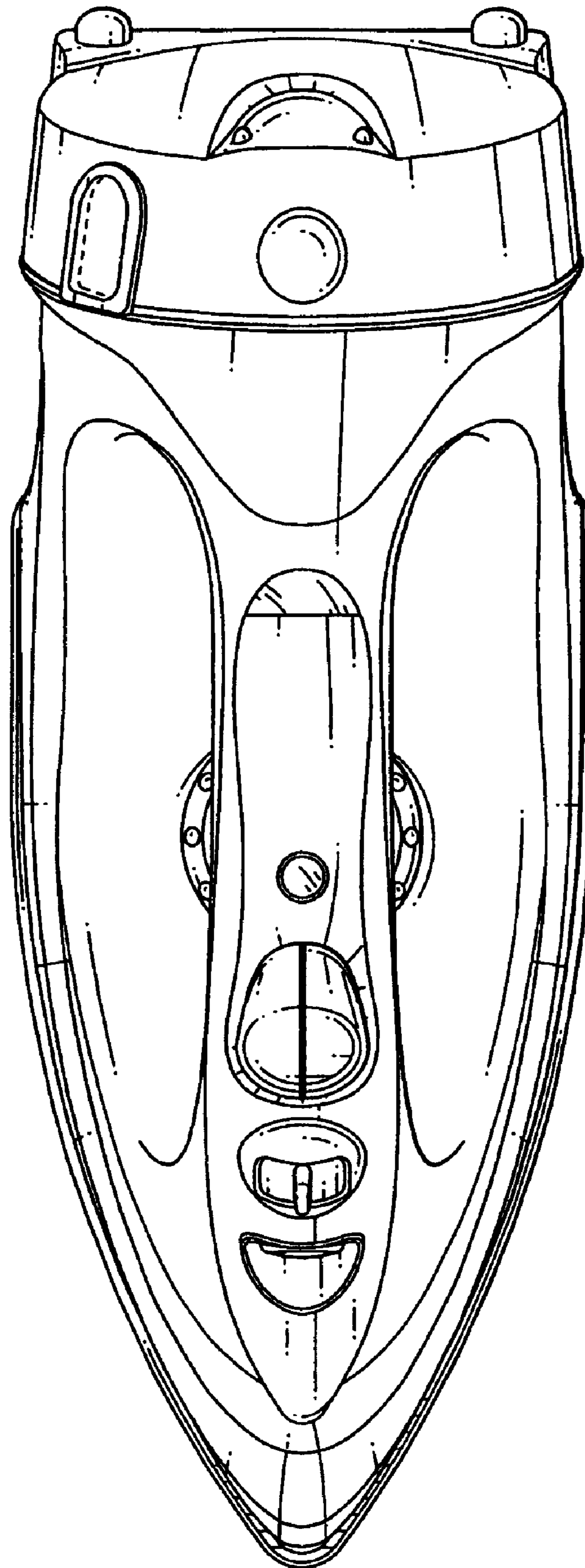


FIG. 4

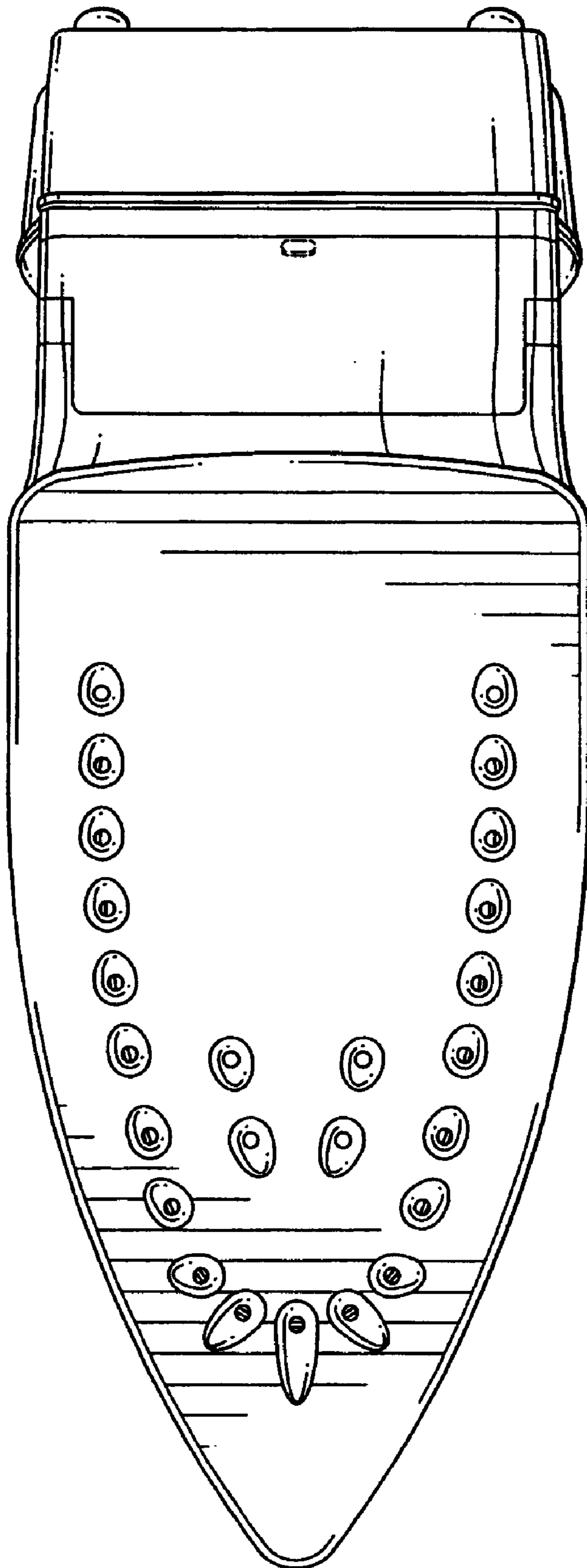


FIG. 5

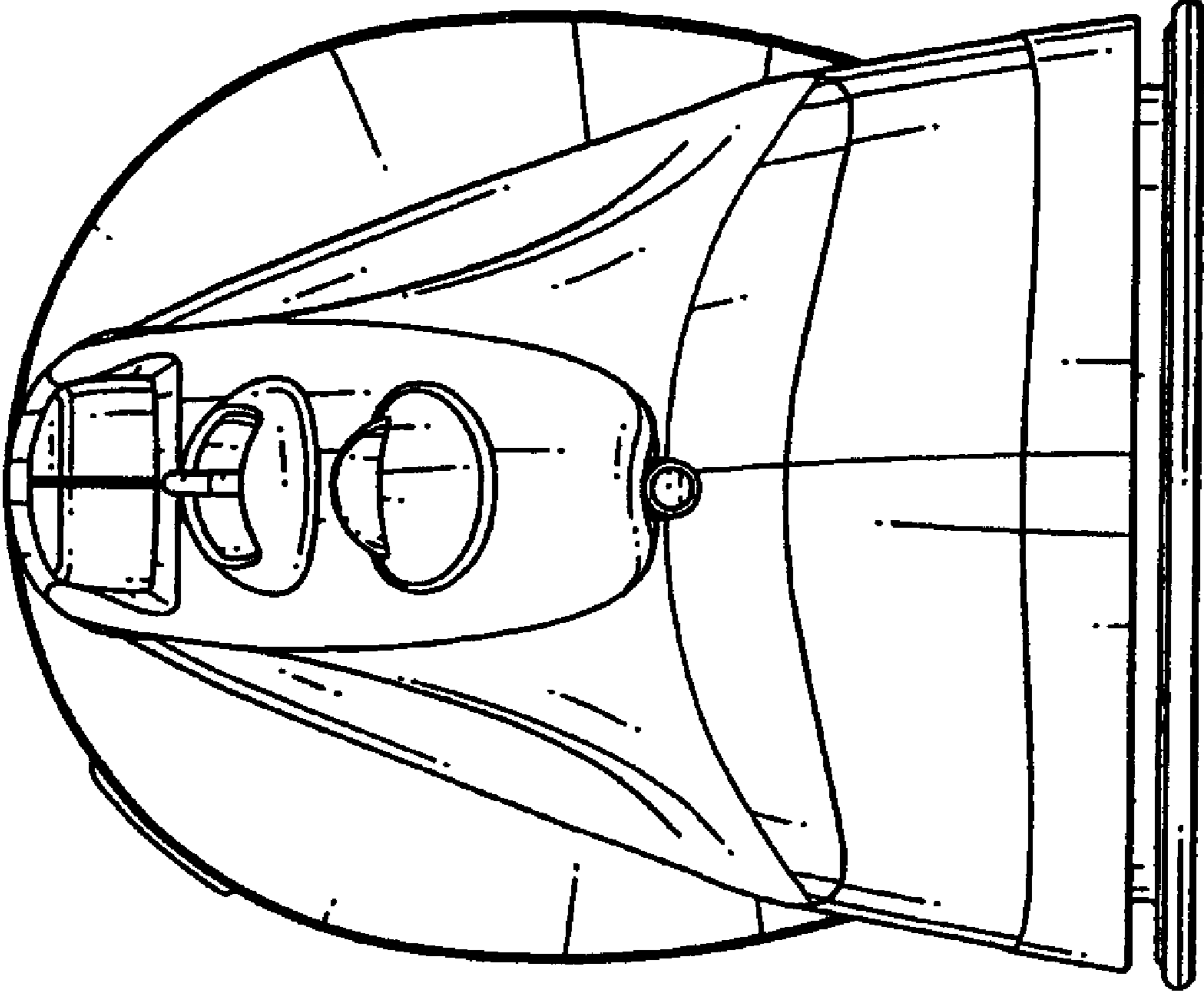


FIG. 6

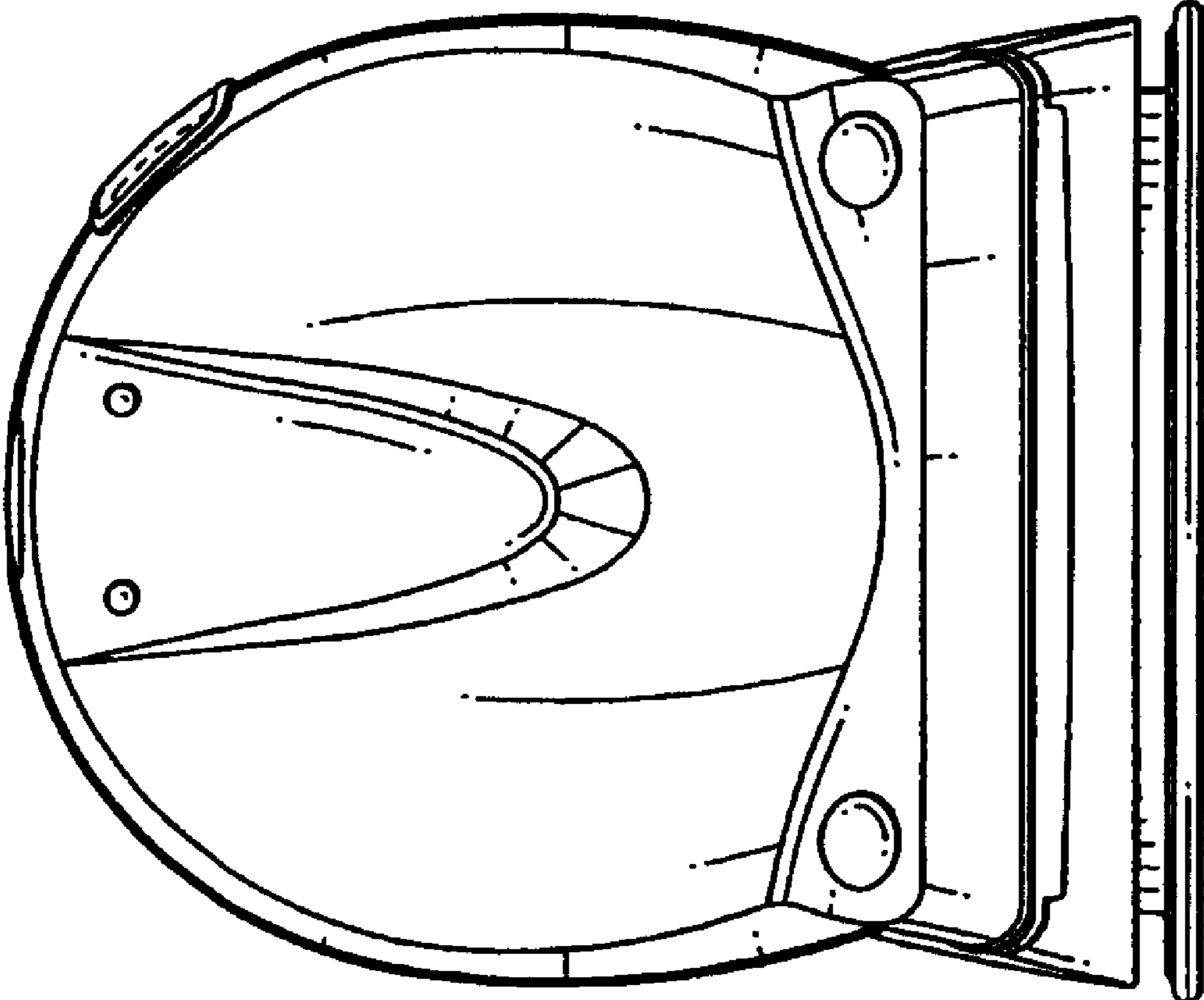


FIG. 7

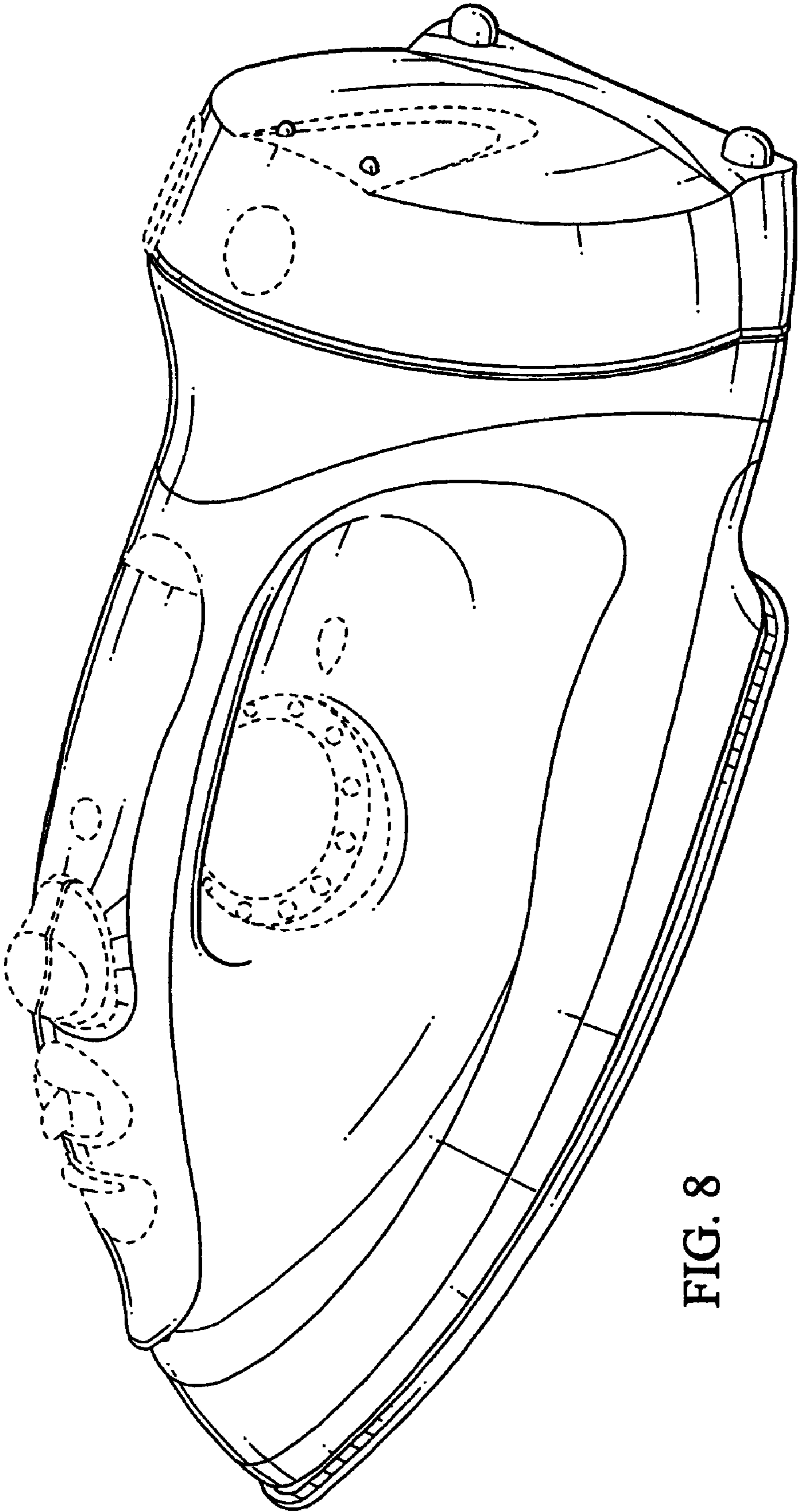


FIG. 8

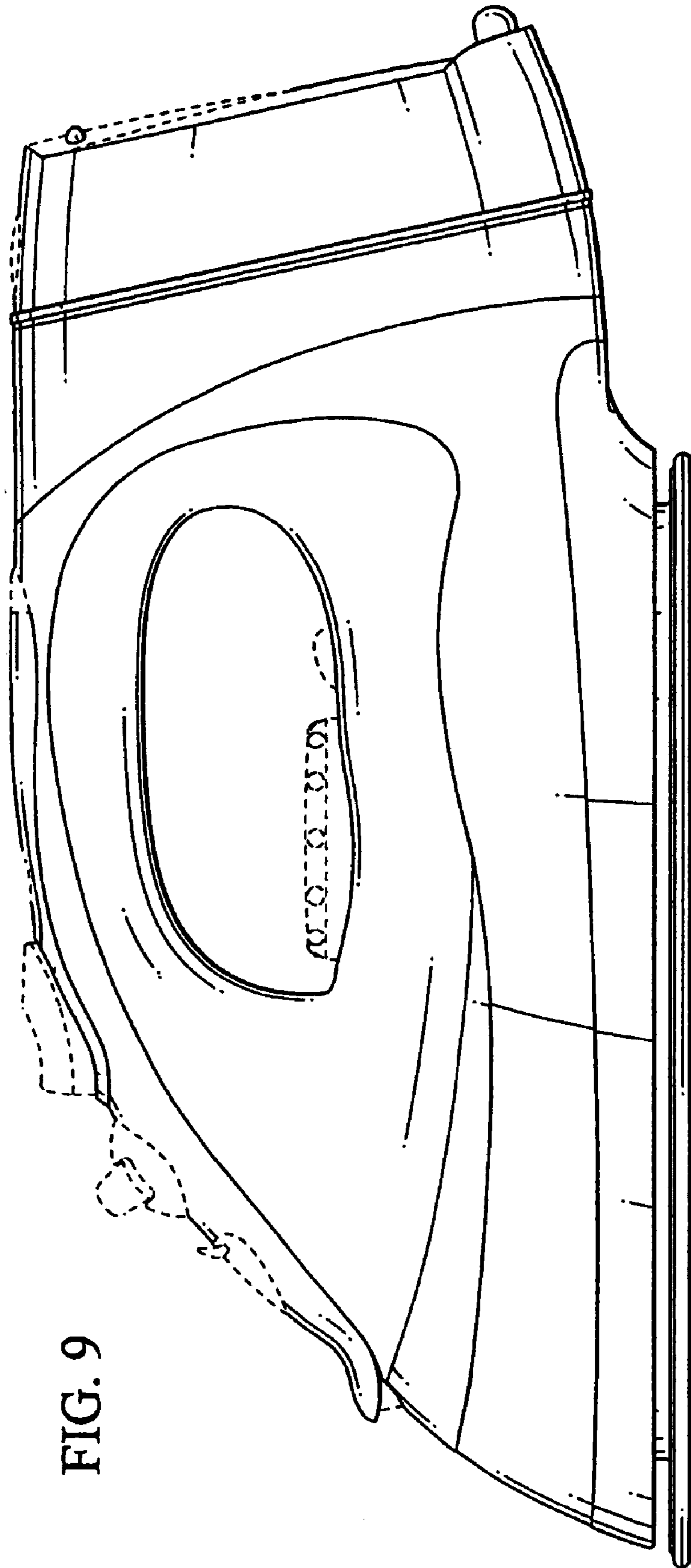
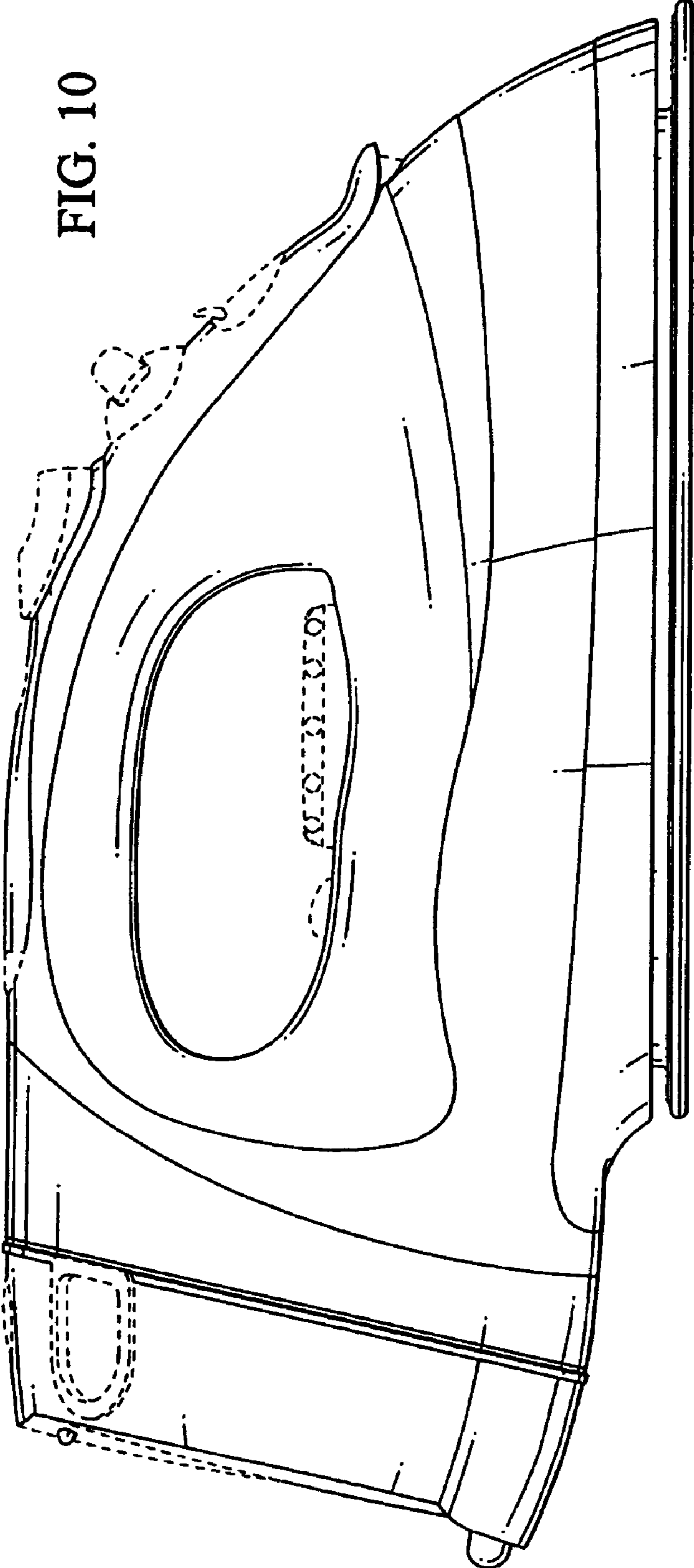


FIG. 9

FIG. 10



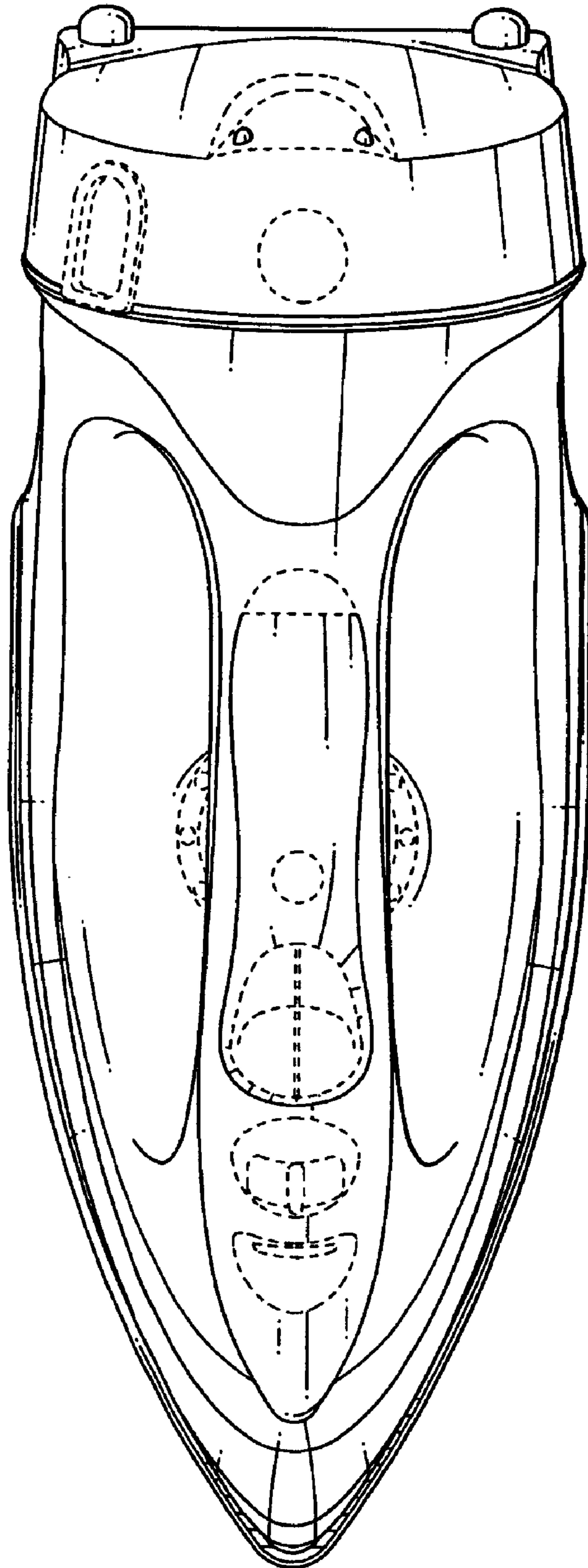


FIG. 11

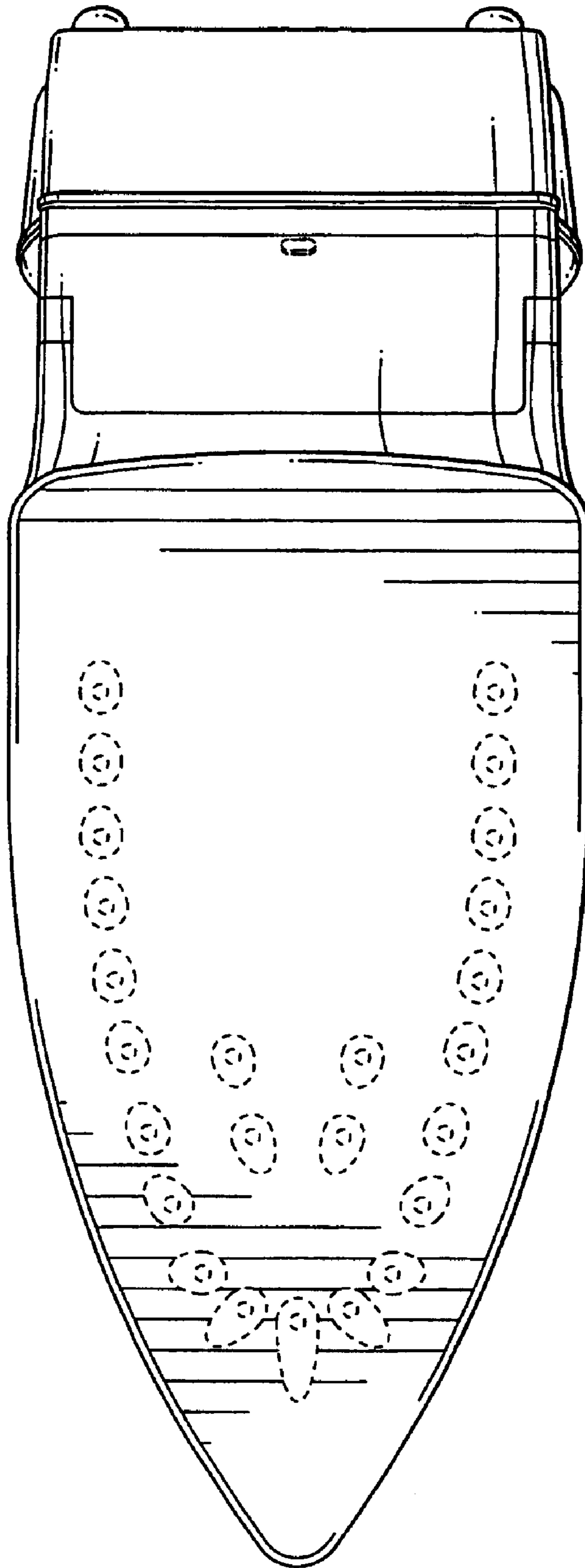


FIG. 12

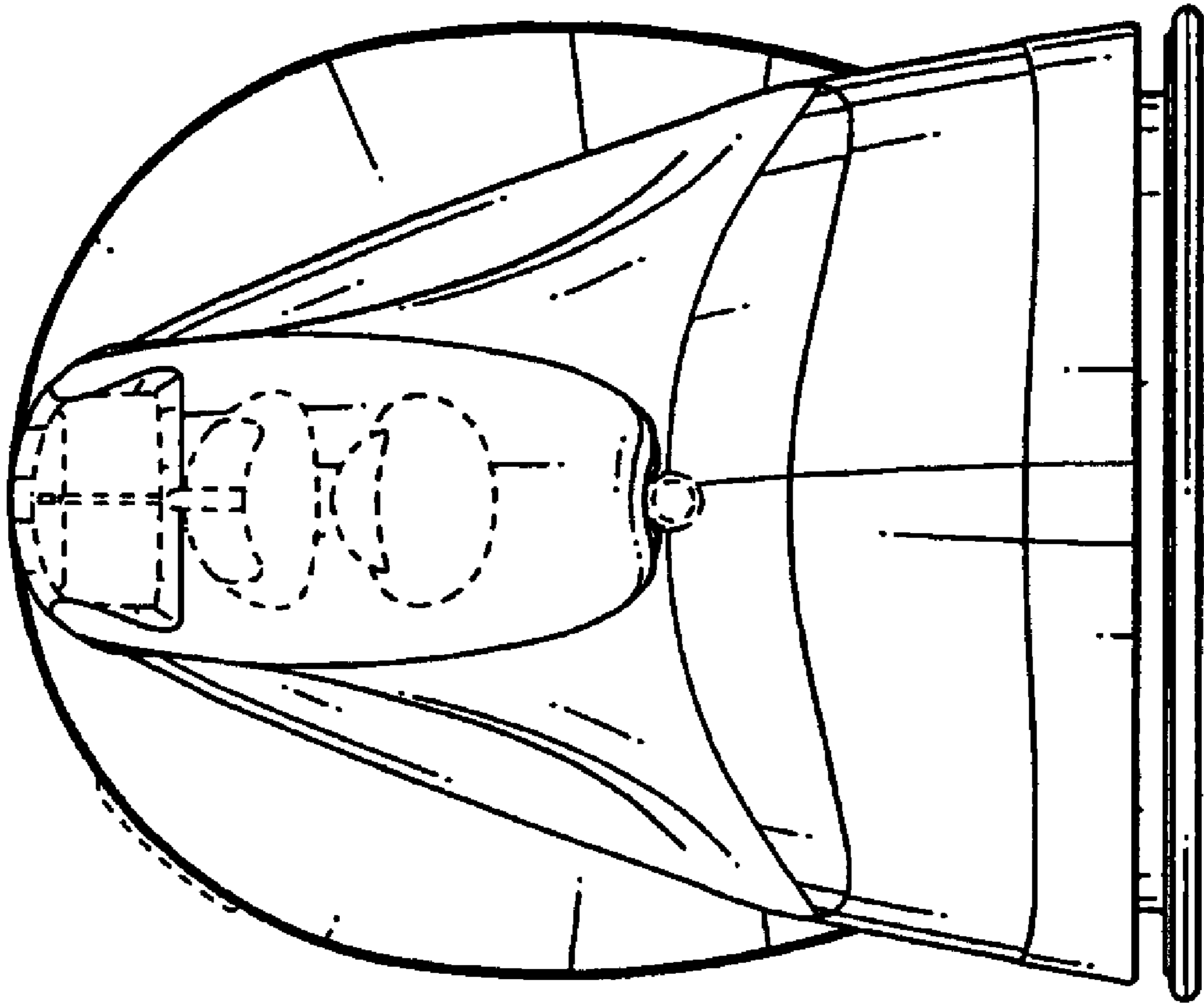


FIG. 13

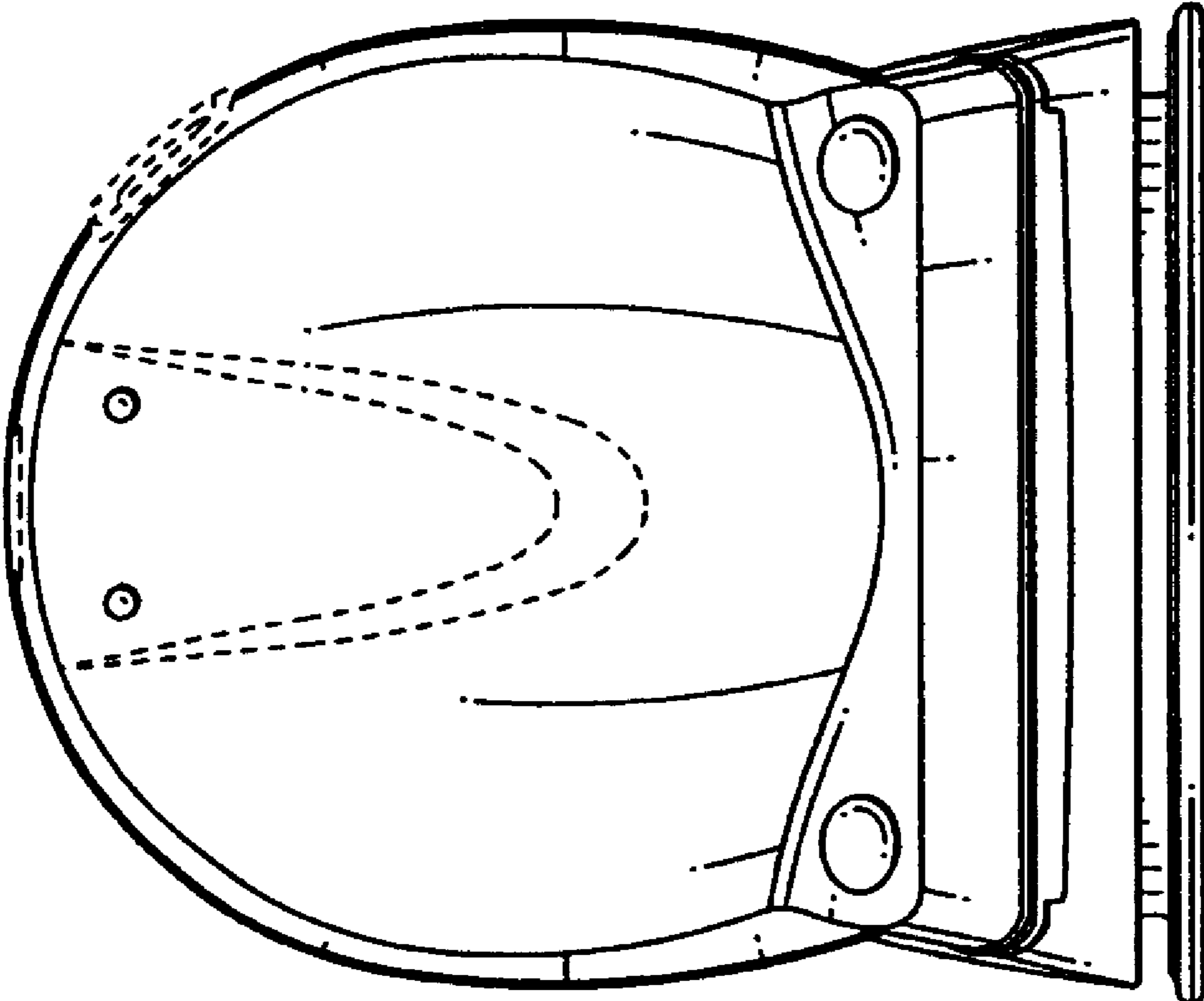


FIG. 14