



US00D531771S

(12) **United States Design Patent**
Kim et al.

(10) **Patent No.:** **US D531,771 S**

(45) **Date of Patent:** **** Nov. 7, 2006**

(54) **REMOTE CONTROLLER FOR DRUM TYPE WASHING MACHINE**

(75) Inventors: **Sun Kyoung Kim**, Seoul (KR); **Young Il Kim**, Incheon (KR)

(73) Assignee: **LG Electronics Inc.**, Seoul (KR)

(**) Term: **14 Years**

(21) Appl. No.: **29/230,431**

(22) Filed: **May 23, 2005**

(30) **Foreign Application Priority Data**

Nov. 24, 2004 (KR) 30-2004-0035932

(51) **LOC (8) Cl.** **15-05**

(52) **U.S. Cl.** **D32/25**

(58) **Field of Classification Search** D32/1,
D32/3, 25; D14/137-138, 124, 167, 191-192,
D14/188, 299, 197-199, 217-218; D13/168;
D10/104, 106; 455/344, 347, 350-351
See application file for complete search history.

(56) **References Cited**

U.S. PATENT DOCUMENTS

D277,465 S * 2/1985 MacDonald D10/106
D302,014 S * 7/1989 Ohzu D14/188
D326,094 S * 5/1992 Muraki et al. D14/191

D339,349 S * 9/1993 Hayasaka et al. D14/191
D343,618 S * 1/1994 Hayasaka et al. D14/191
D352,034 S * 11/1994 Scheid et al. D14/191
D369,807 S * 5/1996 Lloyd et al. D14/191
D371,387 S * 7/1996 Woock D19/20
D398,904 S * 9/1998 Tamaki et al. D14/341
D447,075 S * 8/2001 Roberts D10/106

* cited by examiner

Primary Examiner—Louis S. Zarfes

Assistant Examiner—Kathleen Sims

(74) *Attorney, Agent, or Firm*—Birch, Stewart, Kolasch & Birch, LLP

(57) **CLAIM**

The ornamental design for a remote controller for drum type washing machine, as shown and described.

DESCRIPTION

FIG. 1 is a perspective view of a remote controller for drum type washing machine showing my (our) new design; FIG. 2 is a front view thereof; FIG. 3 is a rear view thereof; FIG. 4 is a left side view thereof where the right side view is a mirror image; FIG. 5 is a top plan view thereof; and, FIG. 6 is a bottom plan view thereof.

1 Claim, 5 Drawing Sheets

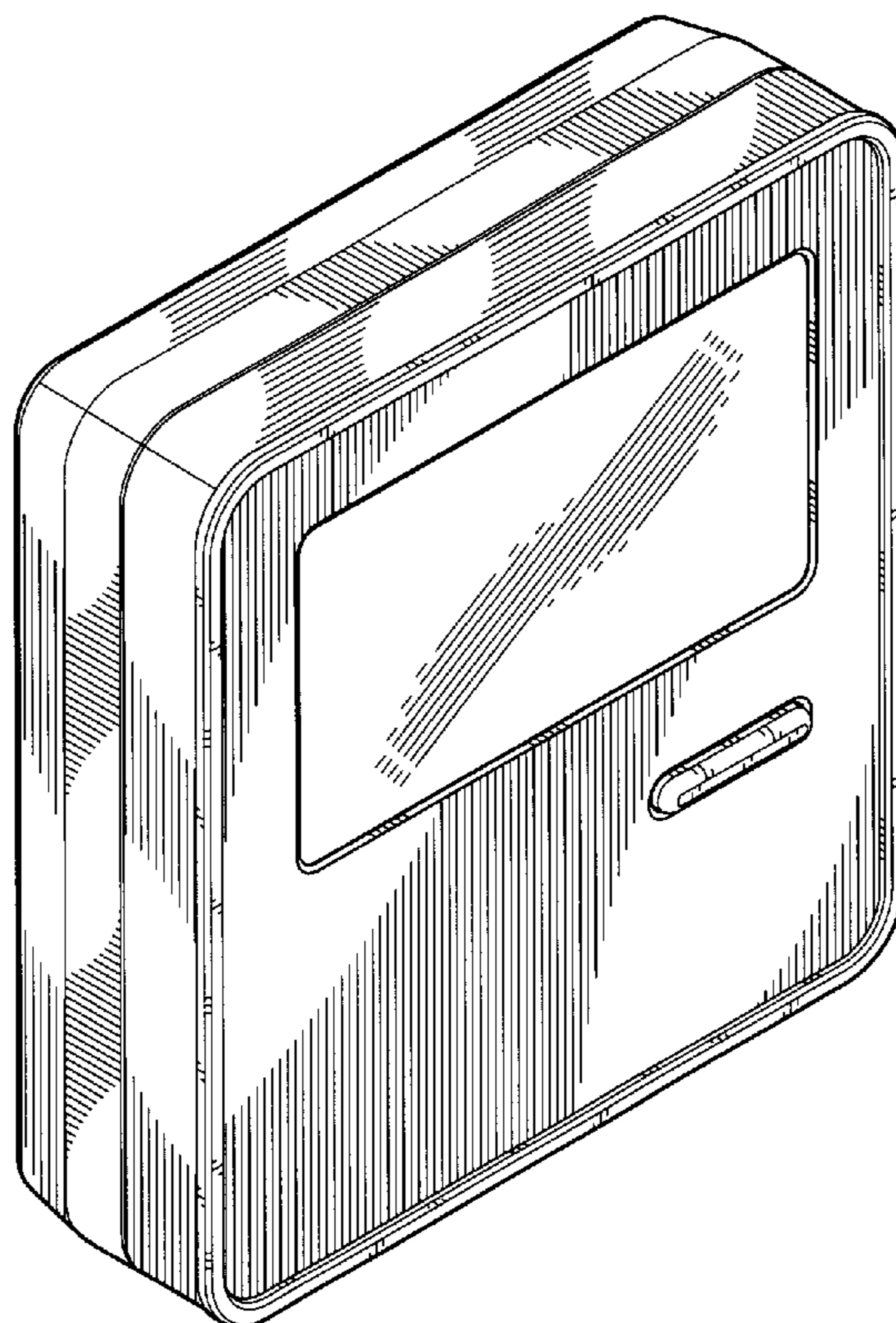


FIG. 1

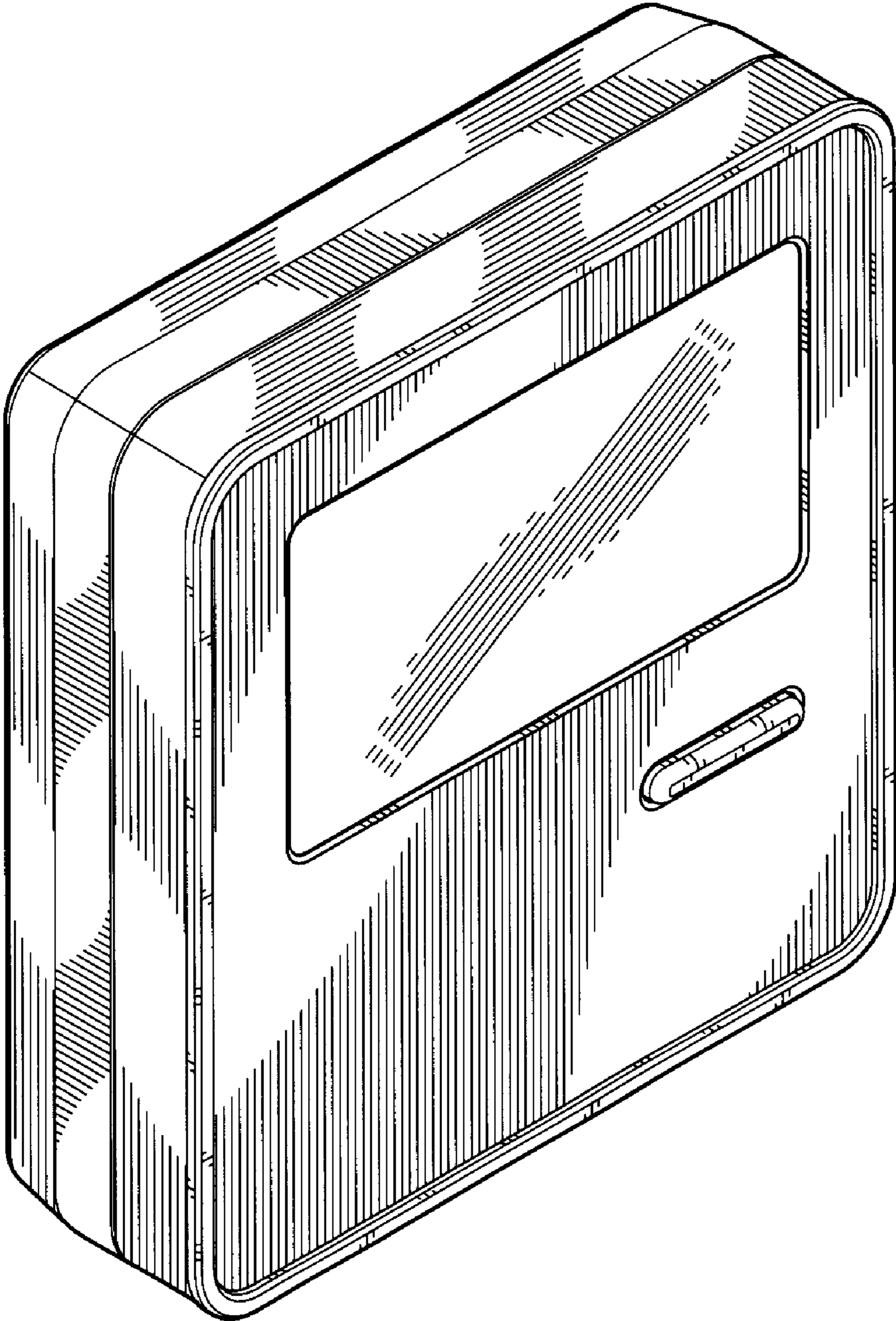


FIG. 2

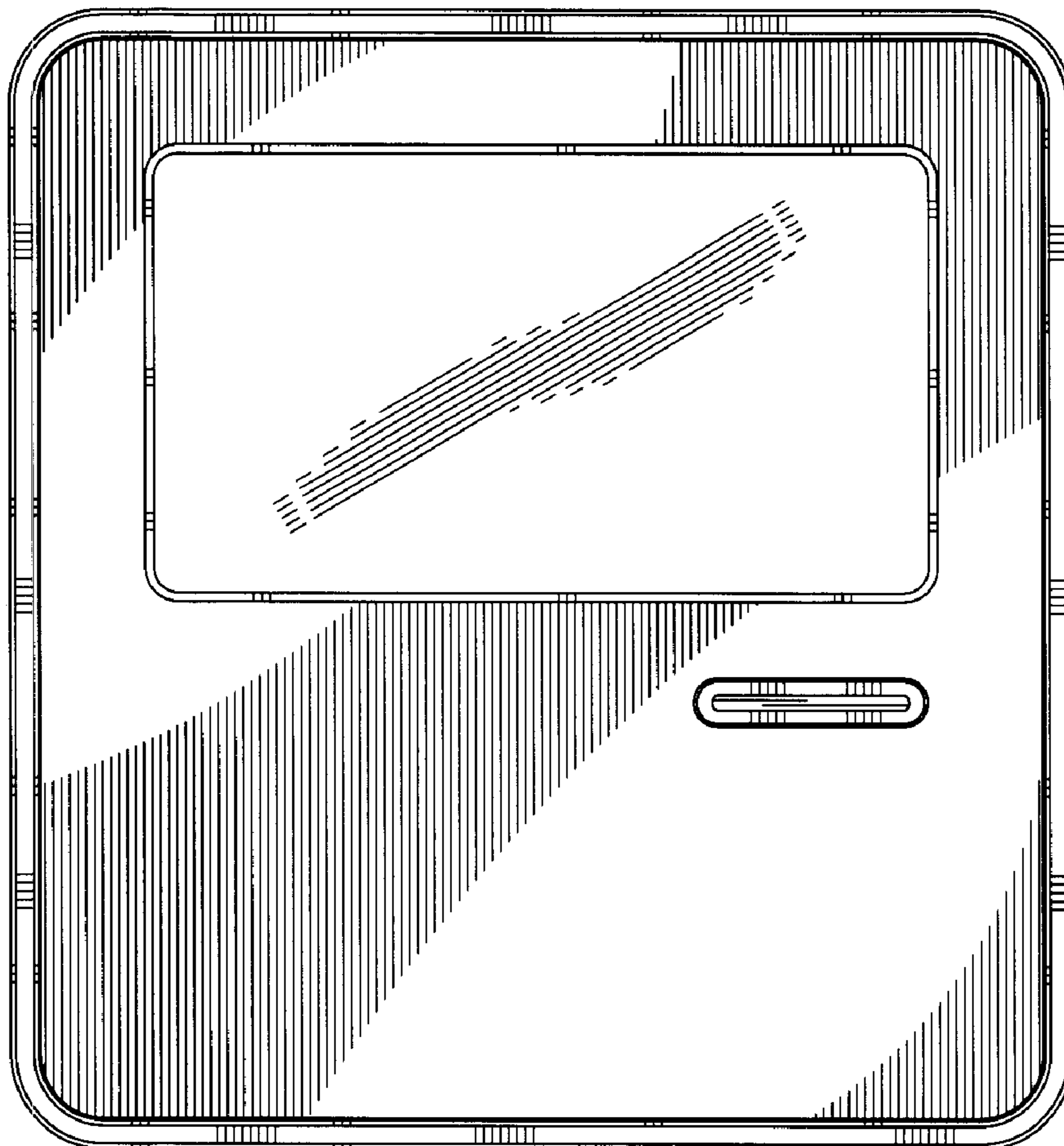


FIG. 3

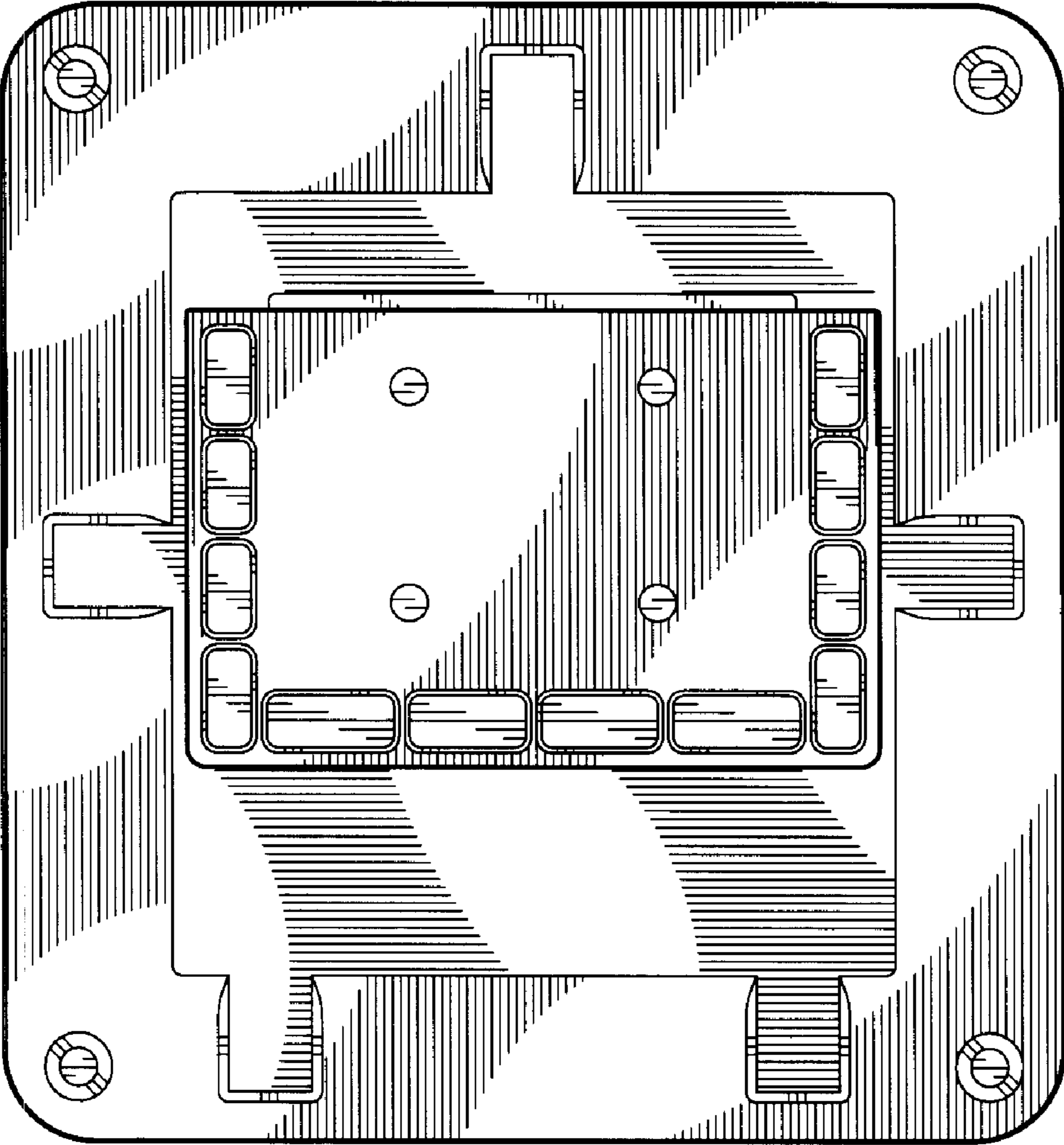


FIG. 4

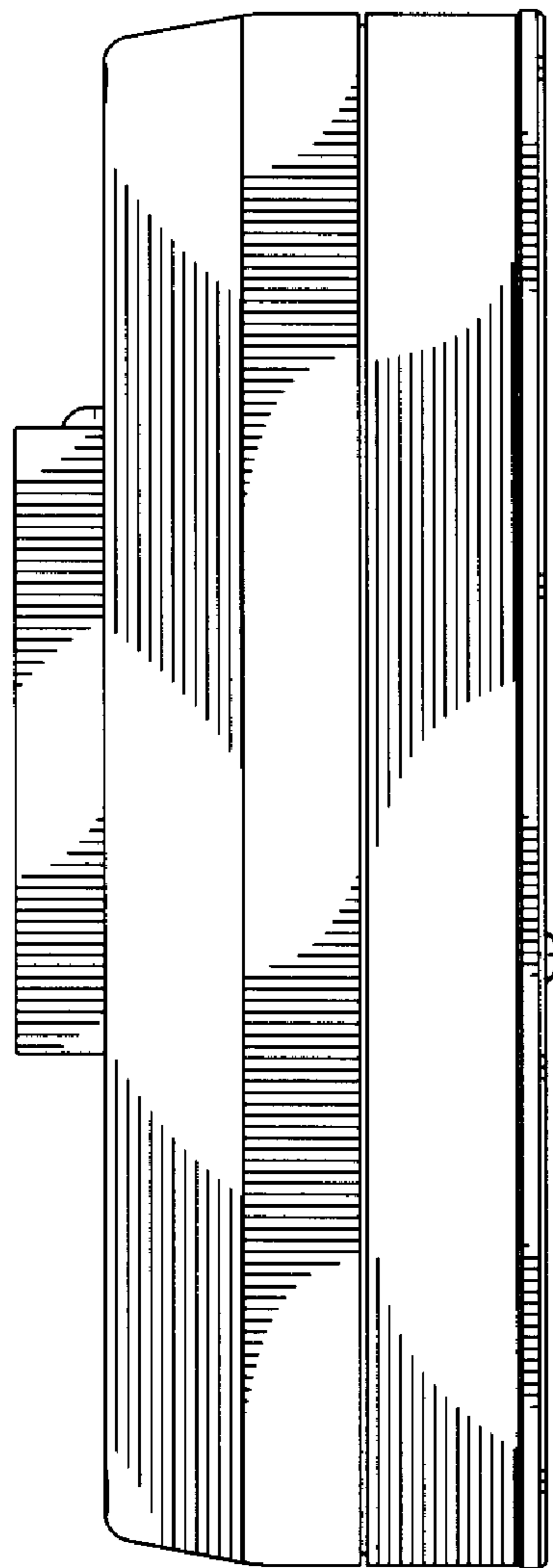


FIG. 5

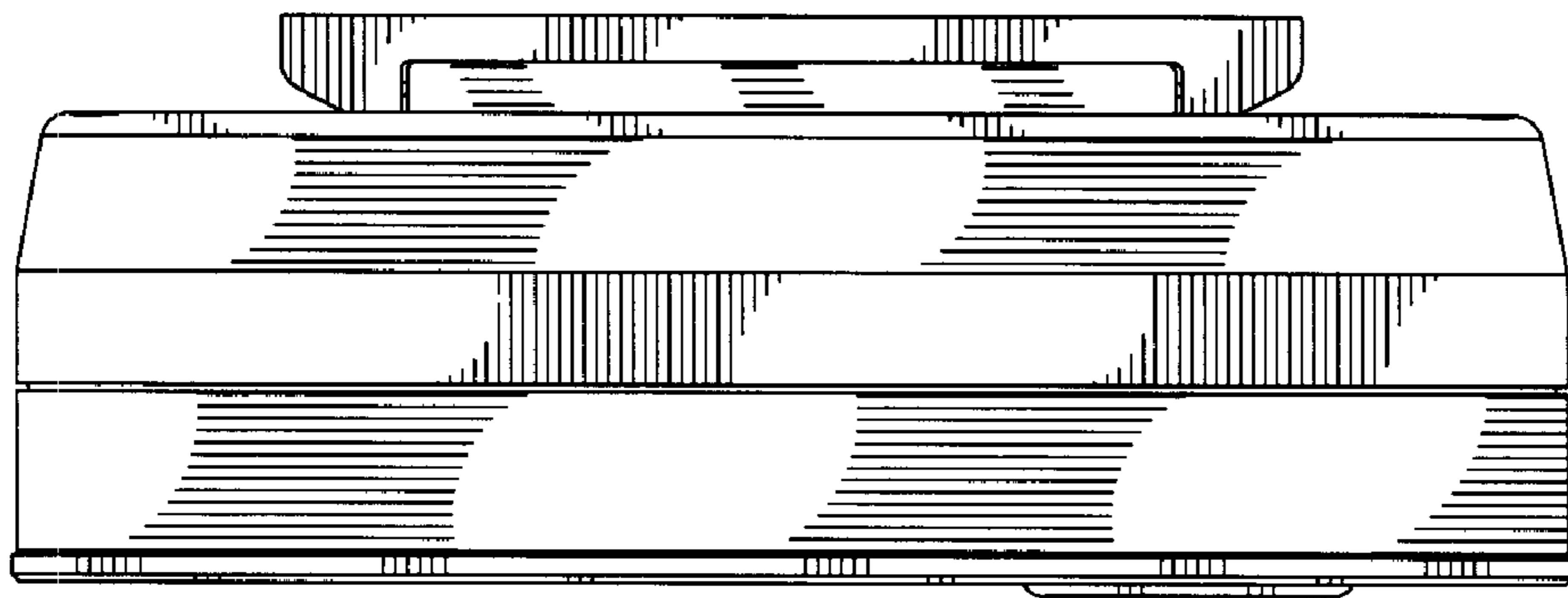


FIG. 6

