



US00D531770S

(12) **United States Design Patent**  
**Luebbering et al.**

(10) **Patent No.:** **US D531,770 S**

(45) **Date of Patent:** **\*\* Nov. 7, 2006**

(54) **VACUUM CLEANER**

(75) Inventors: **Greg Luebbering**, Hayworth, IL (US);  
**Arnie Sepke**, Hudson, IL (US); **Vince Bobrosky**, Normal, IL (US)

(73) Assignee: **Electrolux Home Care Products Ltd.**,  
Cleveland, OH (US)

(\*\*) Term: **14 Years**

(21) Appl. No.: **29/225,781**

(22) Filed: **Mar. 21, 2005**

(51) **LOC (8) Cl.** ..... **15-05**

(52) **U.S. Cl.** ..... **D32/22**

(58) **Field of Classification Search** ..... D32/21,  
D32/22-23, 31, 34; 15/320-321, 327.1, 327.2,  
15/323, 329, 334-335, 347, 350, 351, 353,  
15/361, 410-411, DIG. 10; 55/346, DIG. 3,  
55/459.1, 337, 429; 95/271

See application file for complete search history.

(56) **References Cited**

**U.S. PATENT DOCUMENTS**

D305,269 S	*	12/1989	Dyson	.....	D32/22
D375,820 S	*	11/1996	Piccaluga et al.	.....	D32/22
D436,426 S	*	1/2001	Paterson et al.	.....	D32/34
D455,876 S	*	4/2002	Arney et al.	.....	D32/22
D462,813 S	*	9/2002	Nakano et al.	.....	D32/22
D487,172 S	*	2/2004	Oh et al.	.....	D32/22
6,829,804 B1	*	12/2004	Sepke	.....	15/347
6,941,615 B1	*	9/2005	Shanor et al.	.....	15/410
D510,465 S	*	10/2005	Takahashi et al.	.....	D32/22
6,951,045 B1	*	10/2005	Thur et al.	.....	15/334

\* cited by examiner

*Primary Examiner*—Ruth McInroy

(74) *Attorney, Agent, or Firm*—Hunton & Williams

(57) **CLAIM**

The ornamental design for a vacuum cleaner, as shown and described.

**DESCRIPTION**

FIG. 1 is a front isometric view of a vacuum cleaner, showing the claimed design with the handle in an extended configuration;

FIG. 2 is a front isometric view of the vacuum cleaner, showing the handle in a retracted configuration;

FIG. 3 is a rear isometric view of the vacuum cleaner, showing the handle in an extended configuration;

FIG. 4 is a rear isometric view of the vacuum cleaner, showing the handle in a retracted configuration;

FIG. 5 is a front view of the vacuum cleaner, showing the handle in an extended configuration;

FIG. 6 is a front view of the vacuum cleaner, showing the handle in a retracted configuration;

FIG. 7 is a rear view of the vacuum cleaner, showing the handle in an extended configuration;

FIG. 8 is a rear view of the vacuum cleaner, showing the handle in a retracted configuration;

FIG. 9 is a right view of the vacuum cleaner, showing the handle in an extended configuration;

FIG. 10 is a right view of the vacuum cleaner, showing the handle in a retracted configuration;

FIG. 11 is a left view of the vacuum cleaner, showing the handle in an extended configuration;

FIG. 12 is a left view of the vacuum cleaner, showing the handle in a retracted configuration;

FIG. 13 is an enlarged top plan view; and,

FIG. 14 is an enlarged bottom plan view thereof.

**1 Claim, 7 Drawing Sheets**

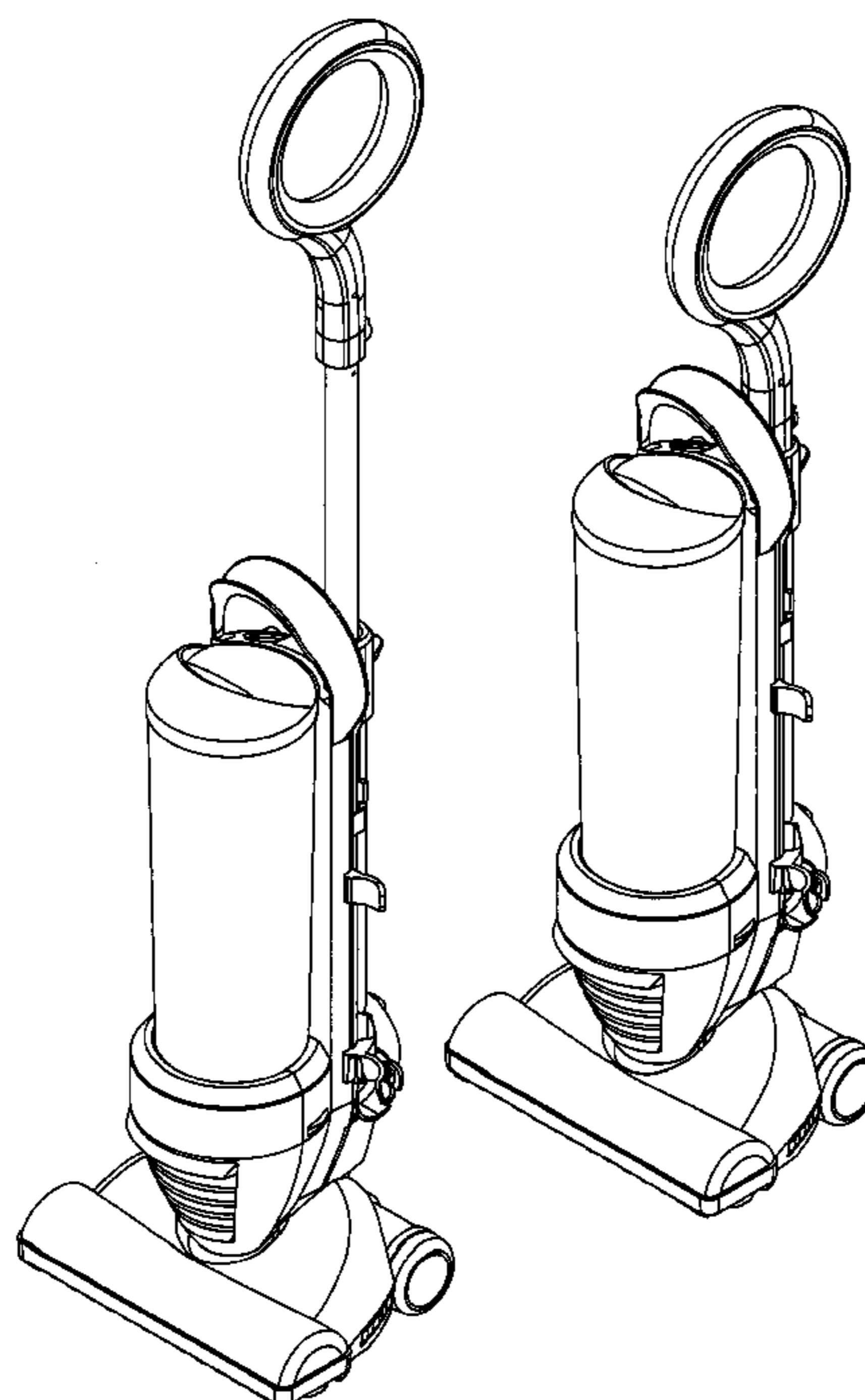


FIG. 1

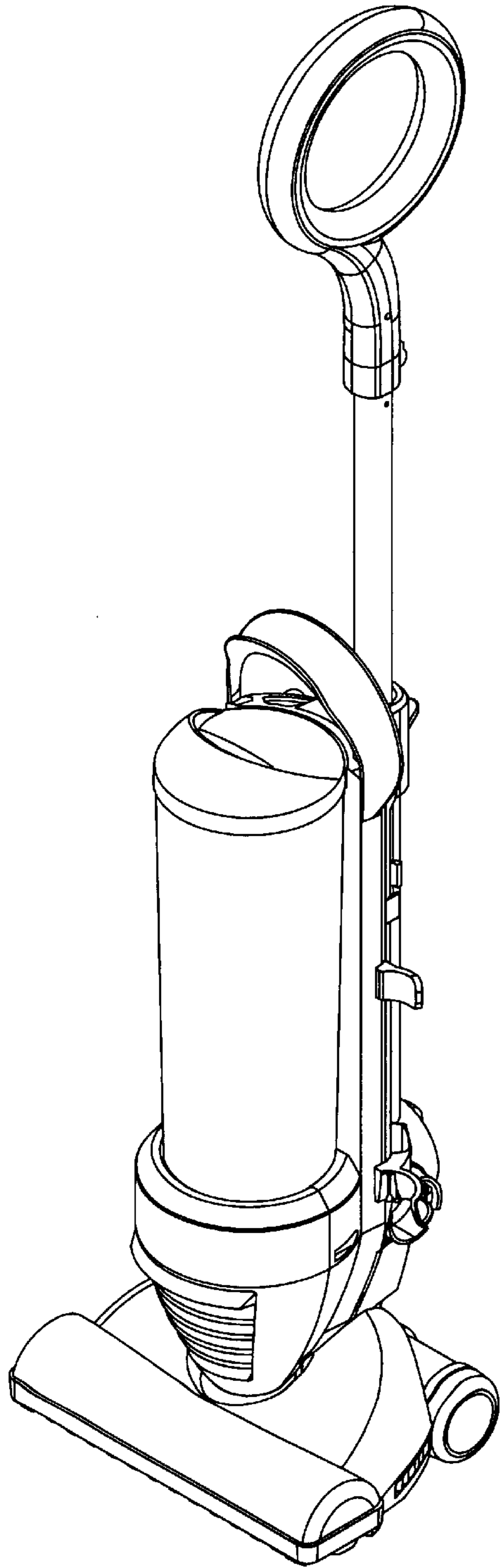


FIG. 2

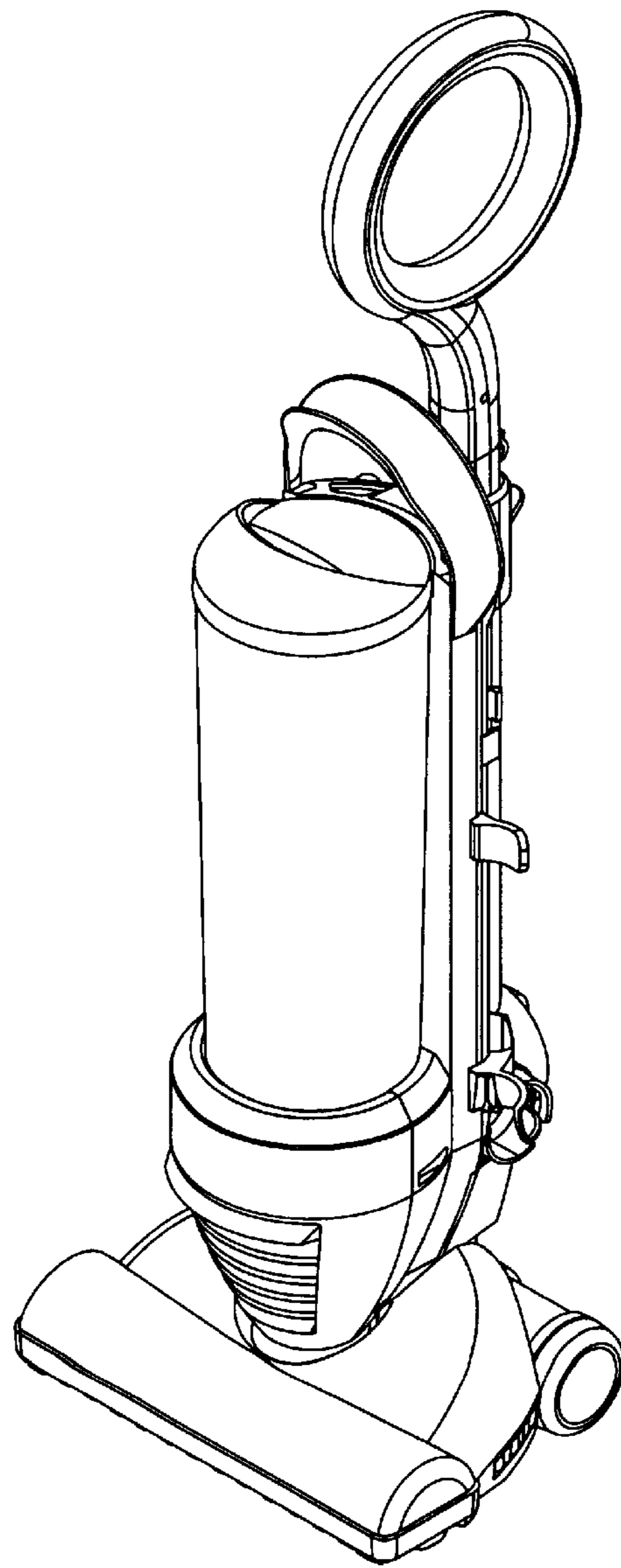


FIG. 3

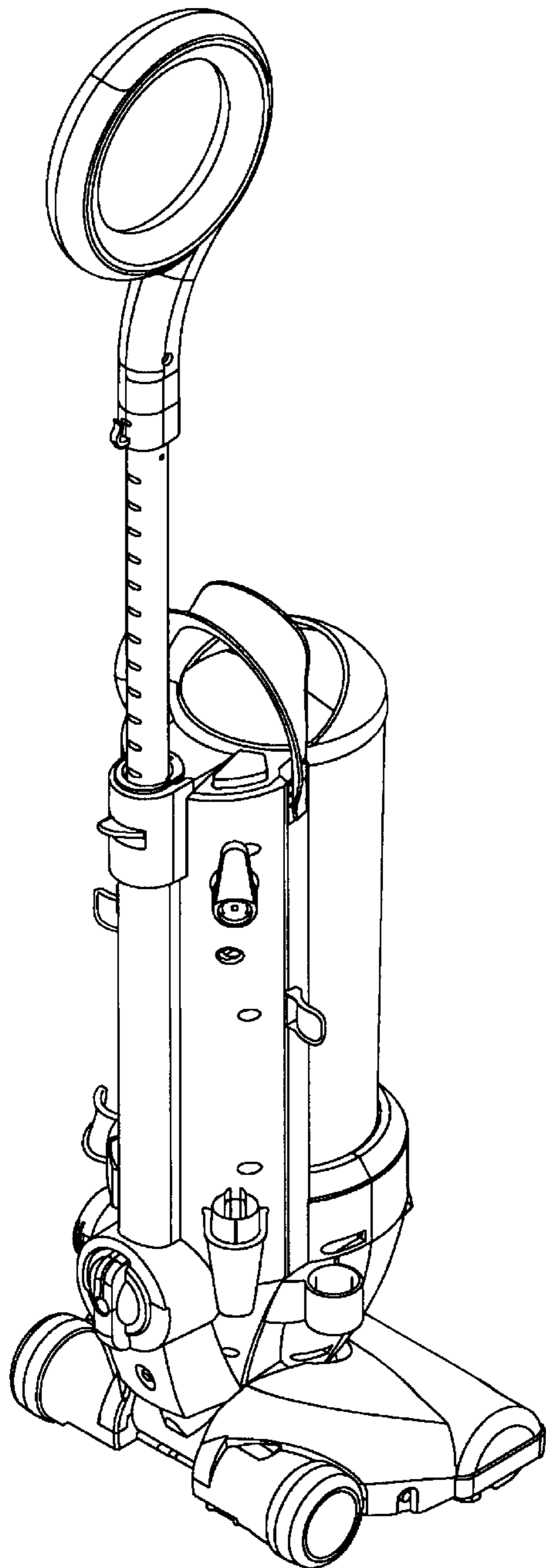


FIG. 4

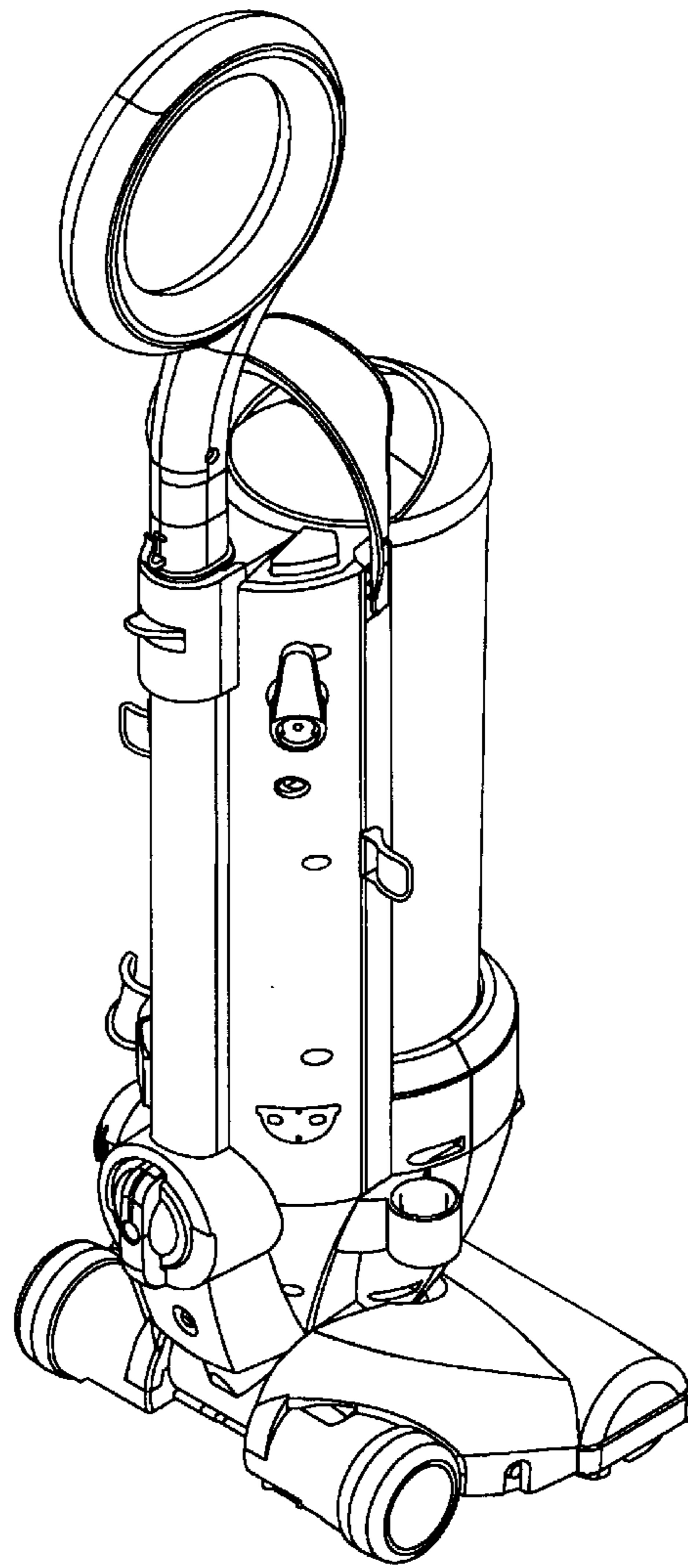


FIG. 5

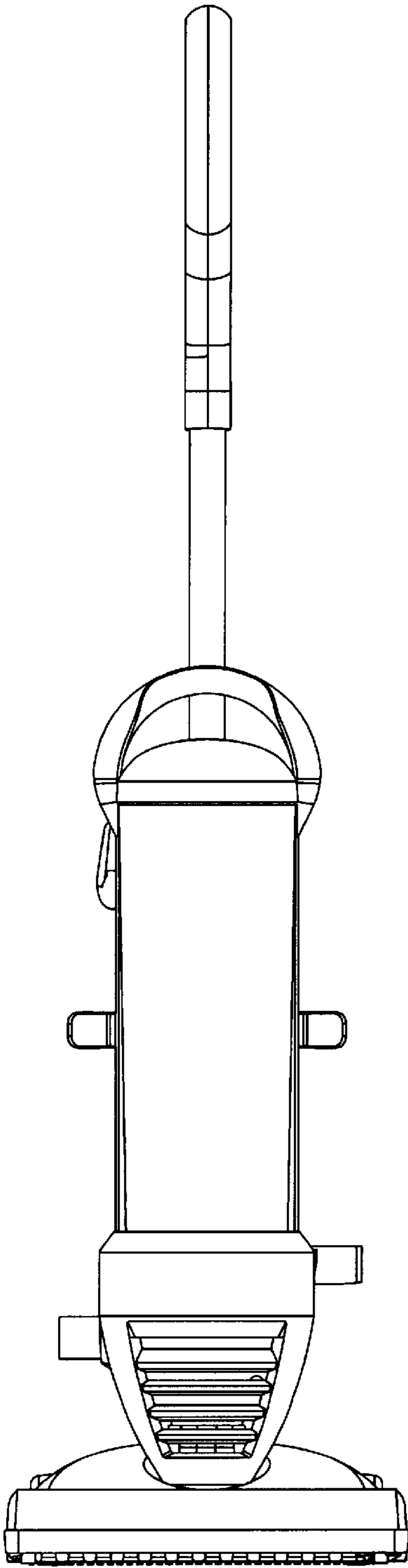


FIG. 6

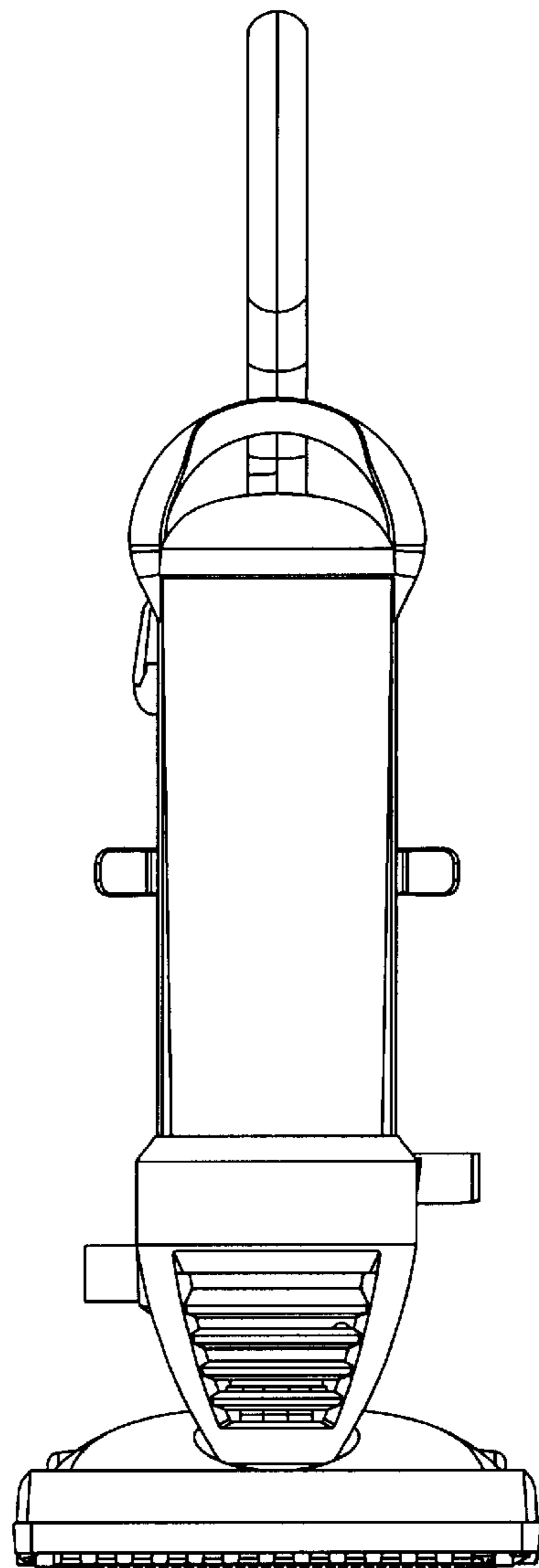




FIG. 7

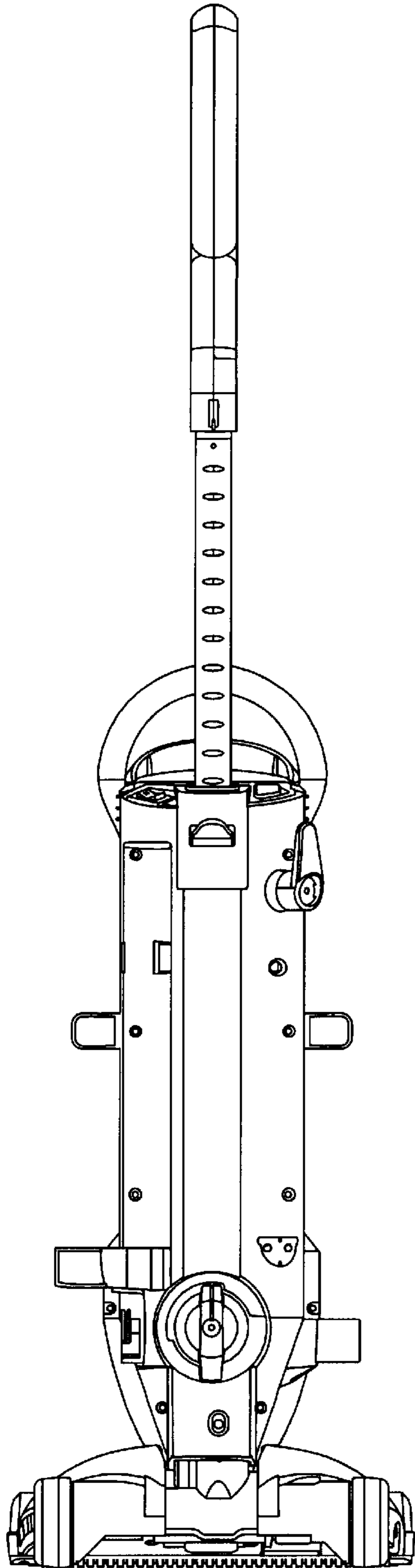


FIG. 8

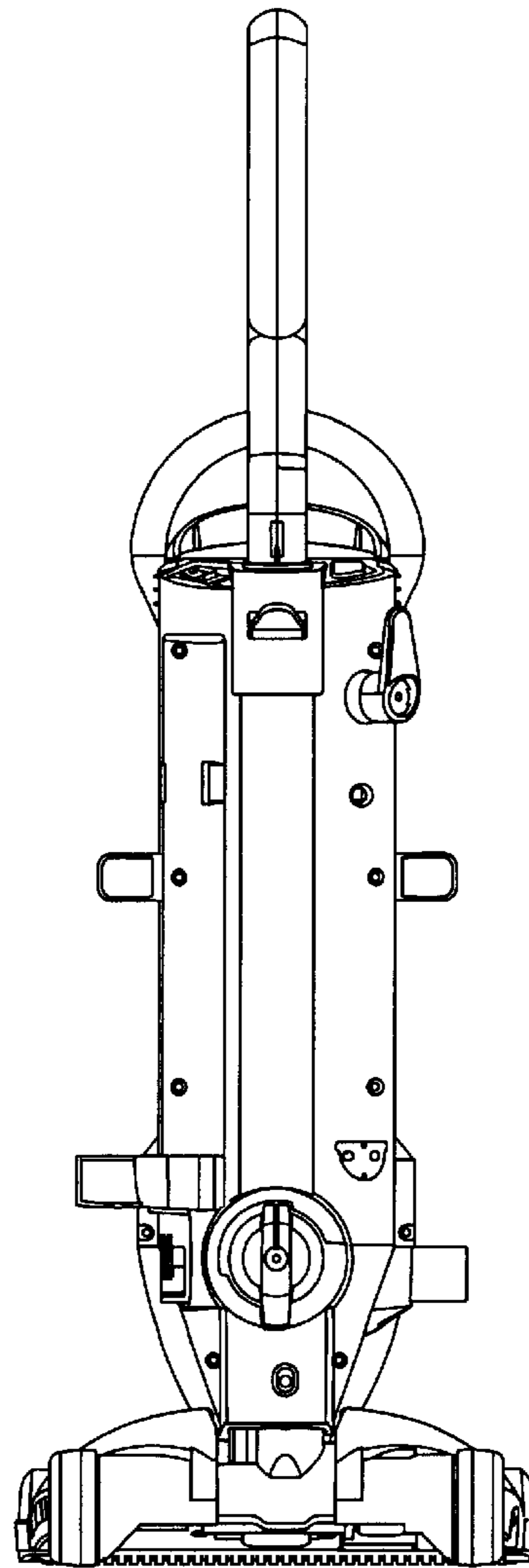


FIG. 9

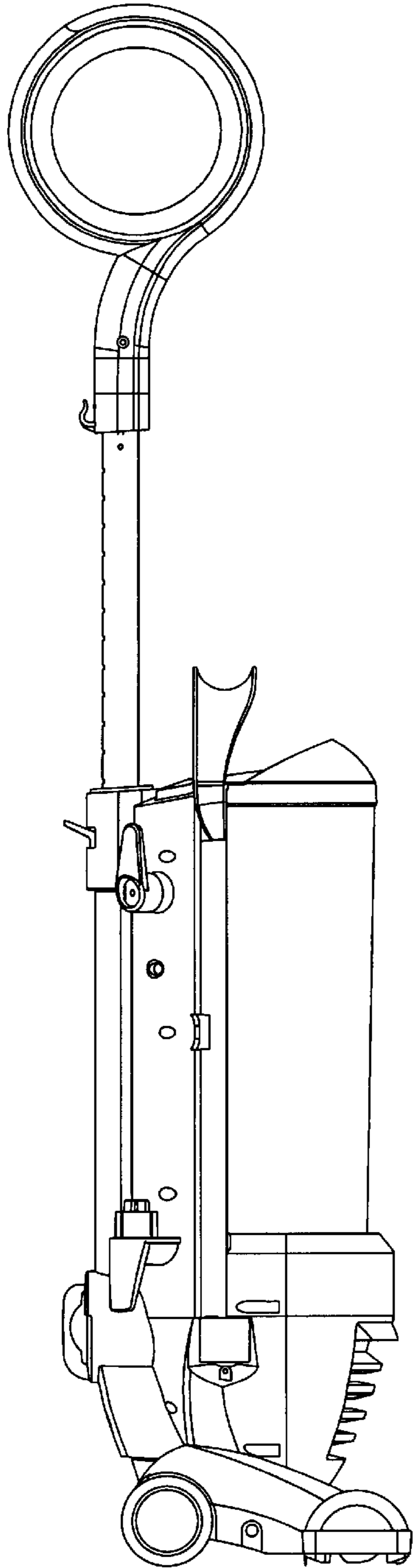


FIG. 10

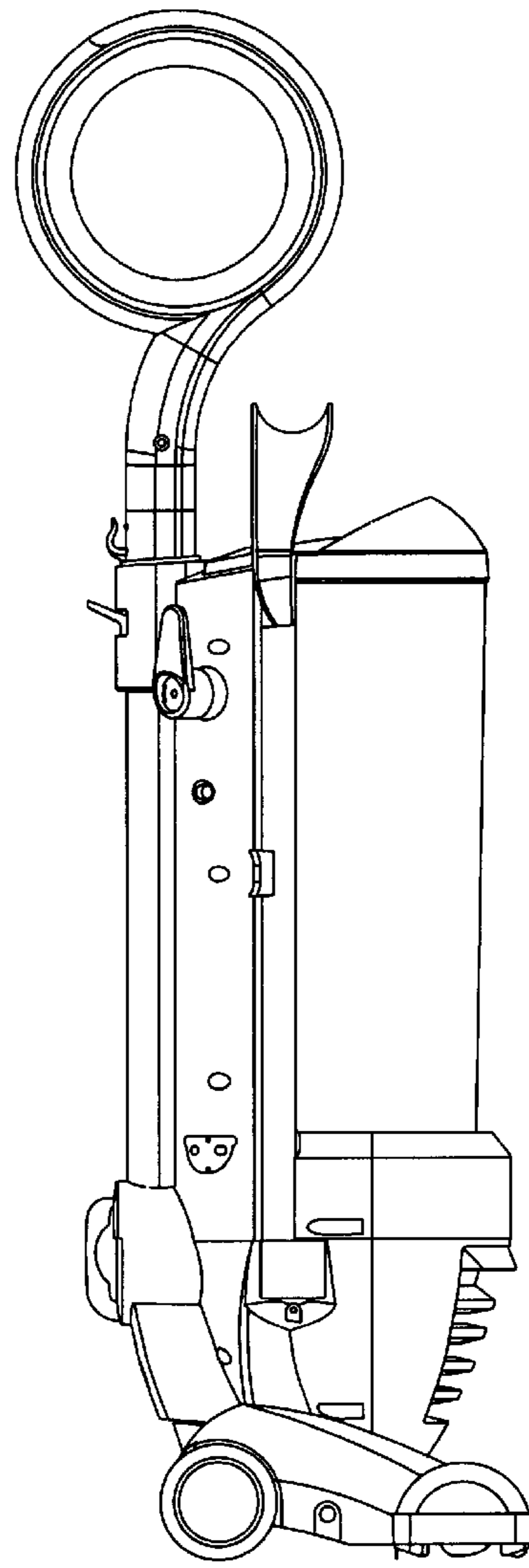


FIG. 11

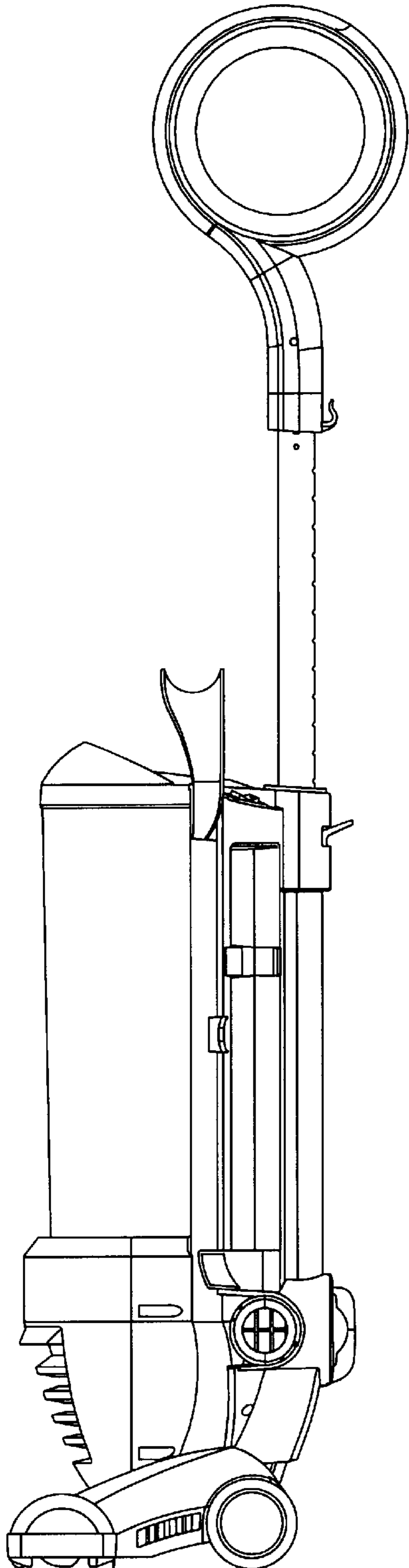


FIG. 12

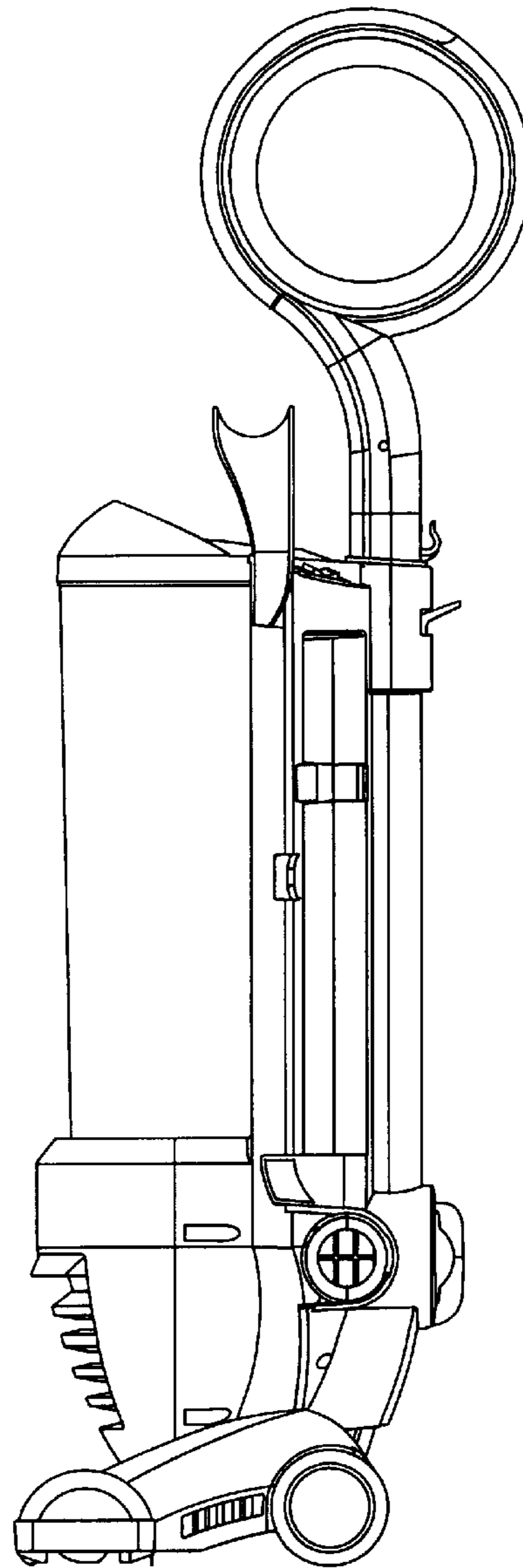


FIG. 13

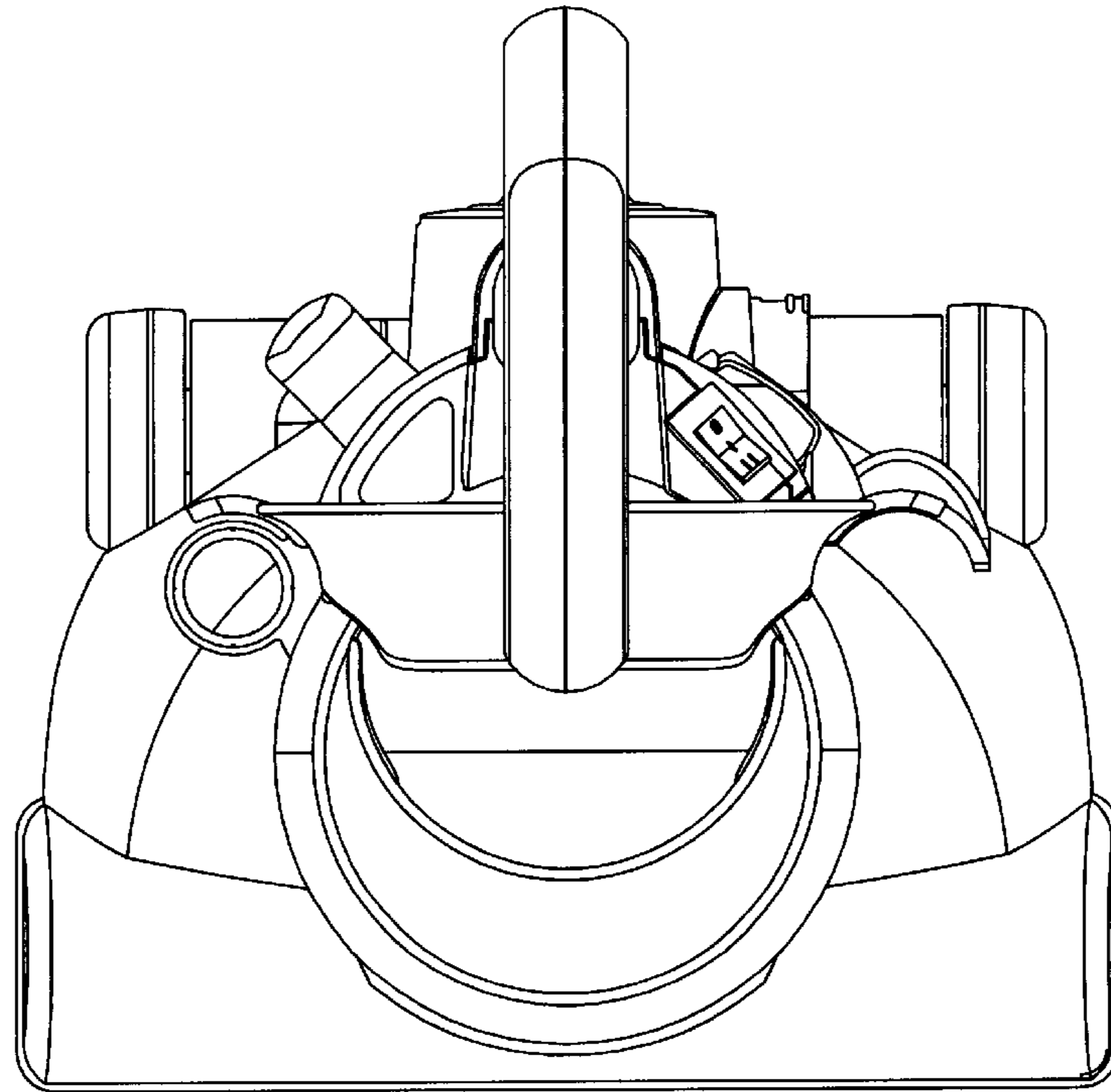


FIG. 14

