



US00D531769S

(12) **United States Design Patent**
Lin

(10) **Patent No.:** **US D531,769 S**

(45) **Date of Patent:** **** Nov. 7, 2006**

(54) **DUST COLLECTOR**

(76) **Inventor:** **Kun Yi Lin**, No. 261, Sec. 1, Liaonin Road, Beitun, Taichung 40675 (TW)

(**) **Term:** **14 Years**

(21) **Appl. No.:** **29/253,090**

(22) **Filed:** **Jan. 31, 2006**

(51) **LOC (8) Cl.** **15-05**

(52) **U.S. Cl.** **D32/21**

(58) **Field of Classification Search** D32/1, D32/15, 17, 21, 23, 24, 31; 15/310, 320, 15/321, 327.1, 327.2, 327.4, 327.6, 327.7, 15/347, 352-353, 329; 134/105, 198, 21; 451/453, 456; 144/252.1; 55/315, 356, 366, 55/428-429, 482, 472, 459.4
See application file for complete search history.

(56) **References Cited**

U.S. PATENT DOCUMENTS

5,163,985	A	*	11/1992	Chen	55/356
5,169,420	A	*	12/1992	Chen	55/315
D357,094	S	*	4/1995	Lin	D32/1
D357,095	S	*	4/1995	Lin	D32/1
D358,234	S	*	5/1995	Lin	D32/1
D501,964	S	*	2/2005	Cheng	D32/21

D502,297	S	*	2/2005	Cheng	D32/21
D518,610	S	*	4/2006	Cheng	D32/21
2005/0183233	A1	*	8/2005	Lin	15/352
2005/0257507	A1	*	11/2005	Tsai	55/428
2006/0016162	A1	*	1/2006	Lin	55/428

* cited by examiner

Primary Examiner—Ruth McInroy

(74) *Attorney, Agent, or Firm*—Charles E. Baxley

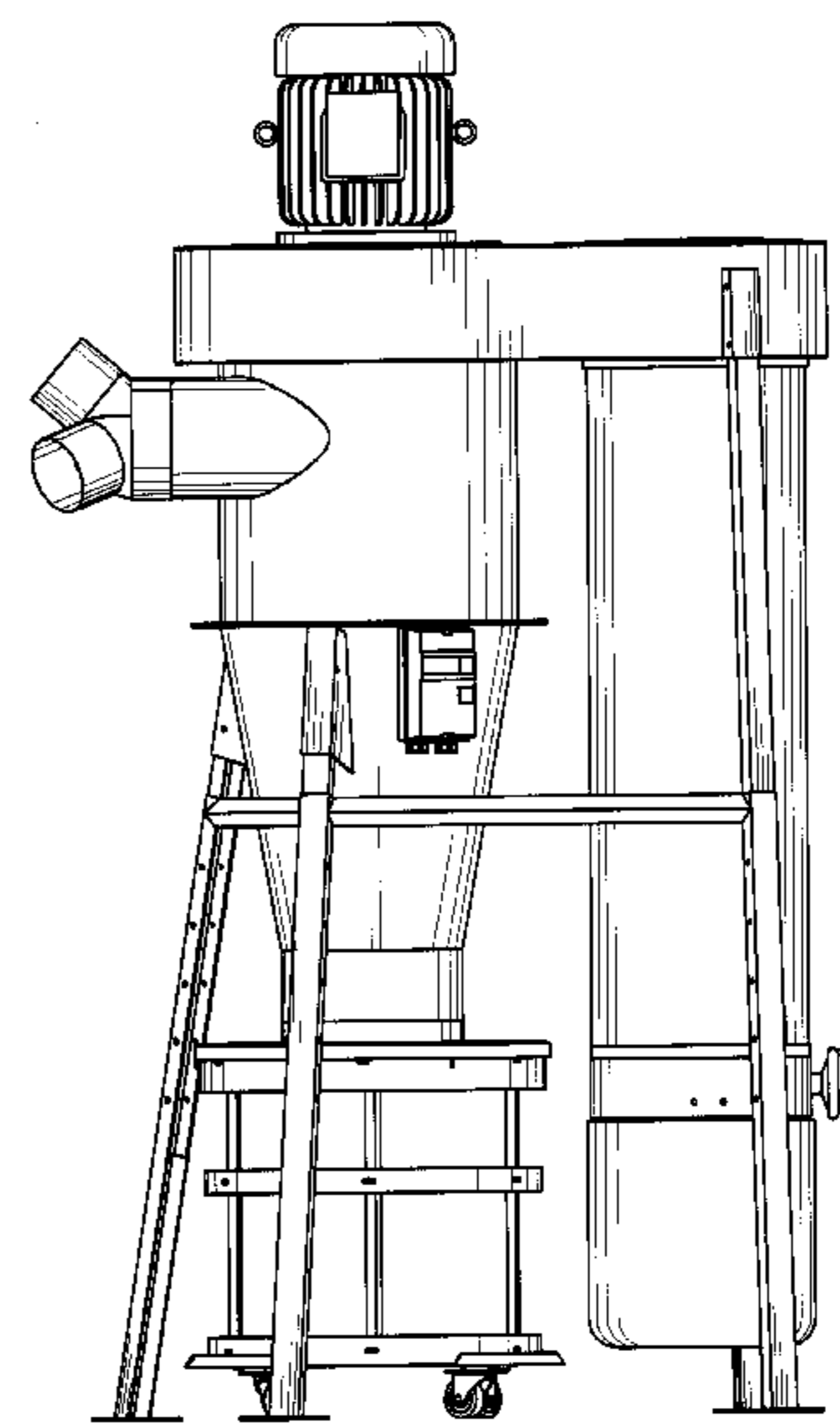
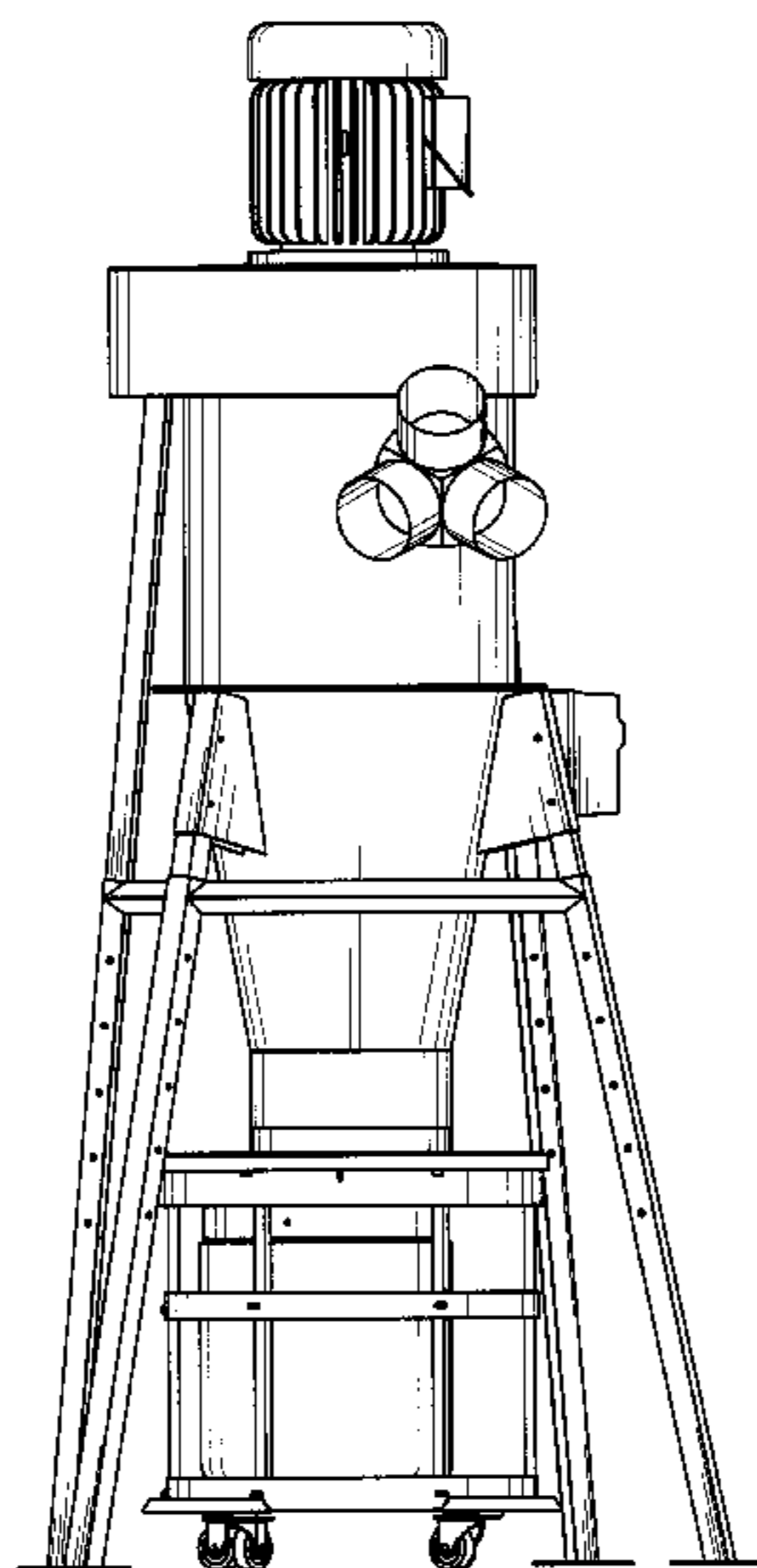
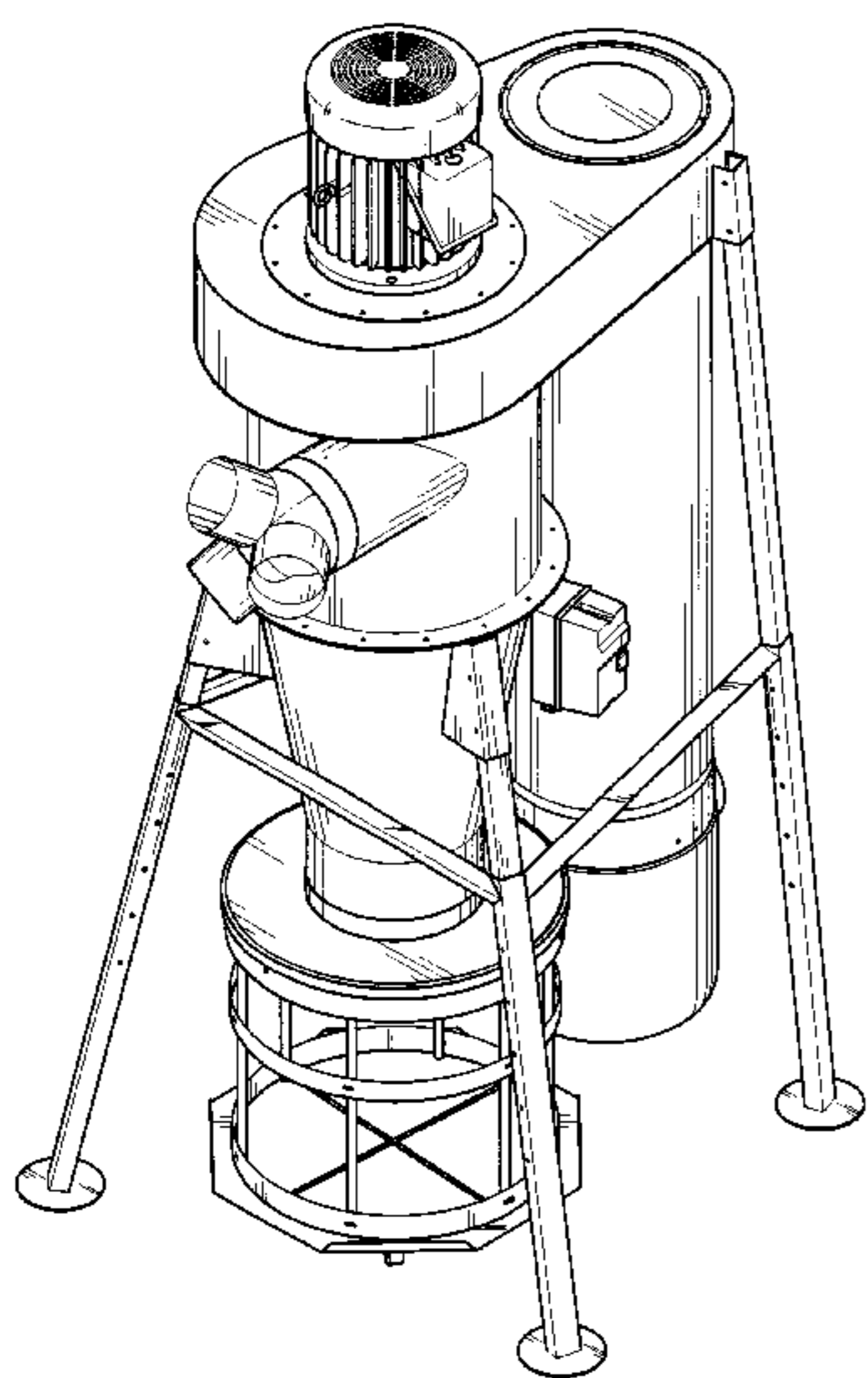
(57) **CLAIM**

The ornamental design for a dust collector, as shown and described.

DESCRIPTION

FIG. 1 is a perspective view of a dust collector showing my new design;
FIG. 2 is a front elevational view thereof;
FIG. 3 is a rear elevational view thereof;
FIG. 4 is a top plan view thereof;
FIG. 5 is a bottom plan view thereof;
FIG. 6 is a left side elevational view thereof;
FIG. 7 is a right side elevational view thereof; and,
FIG. 8 is a perspective view thereof, the dust collecting tubes depicted by means of broken lines being for illustrative purposes only and forming no part of the claimed design.

1 Claim, 7 Drawing Sheets



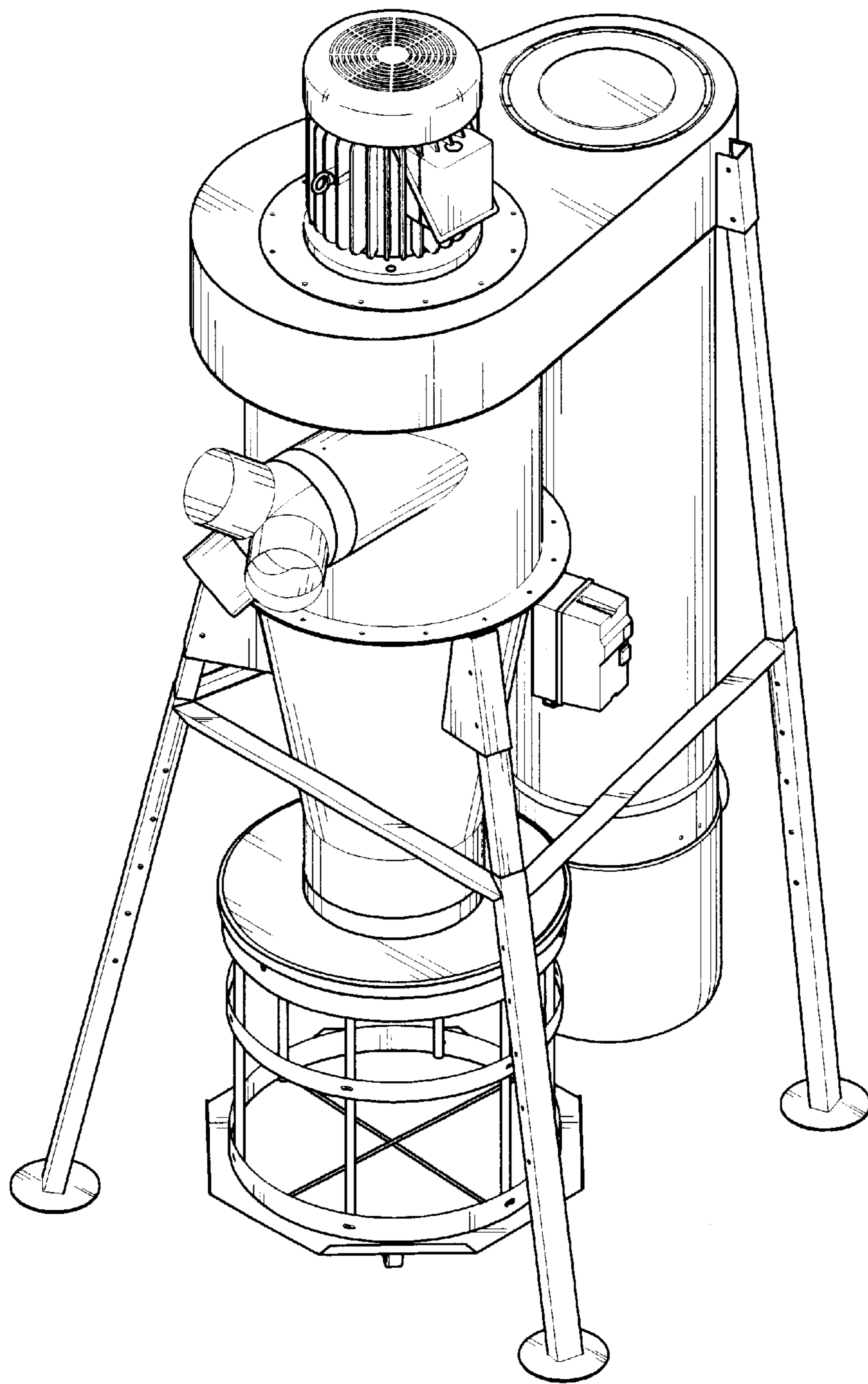


FIG. 1

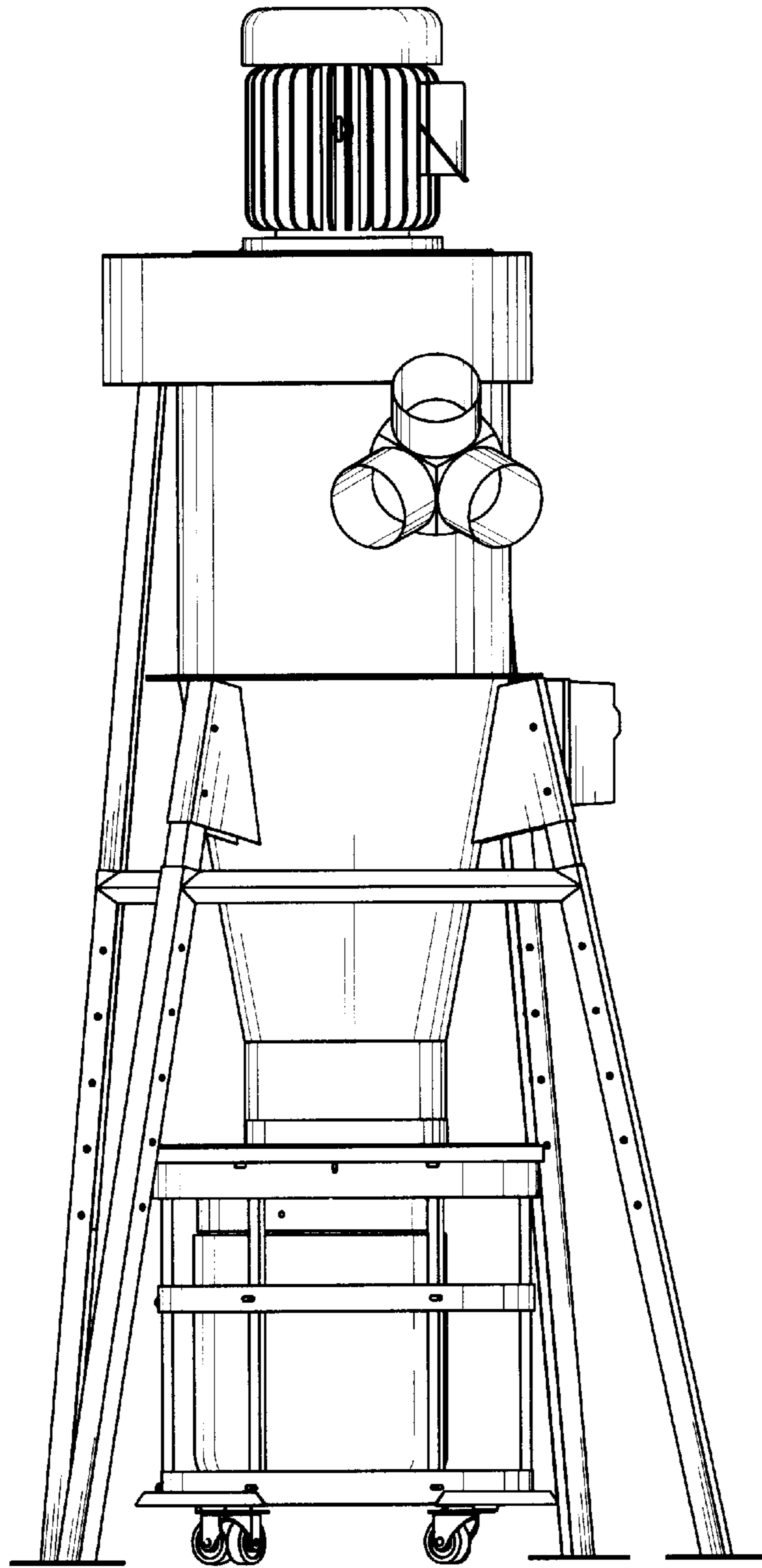


FIG. 2

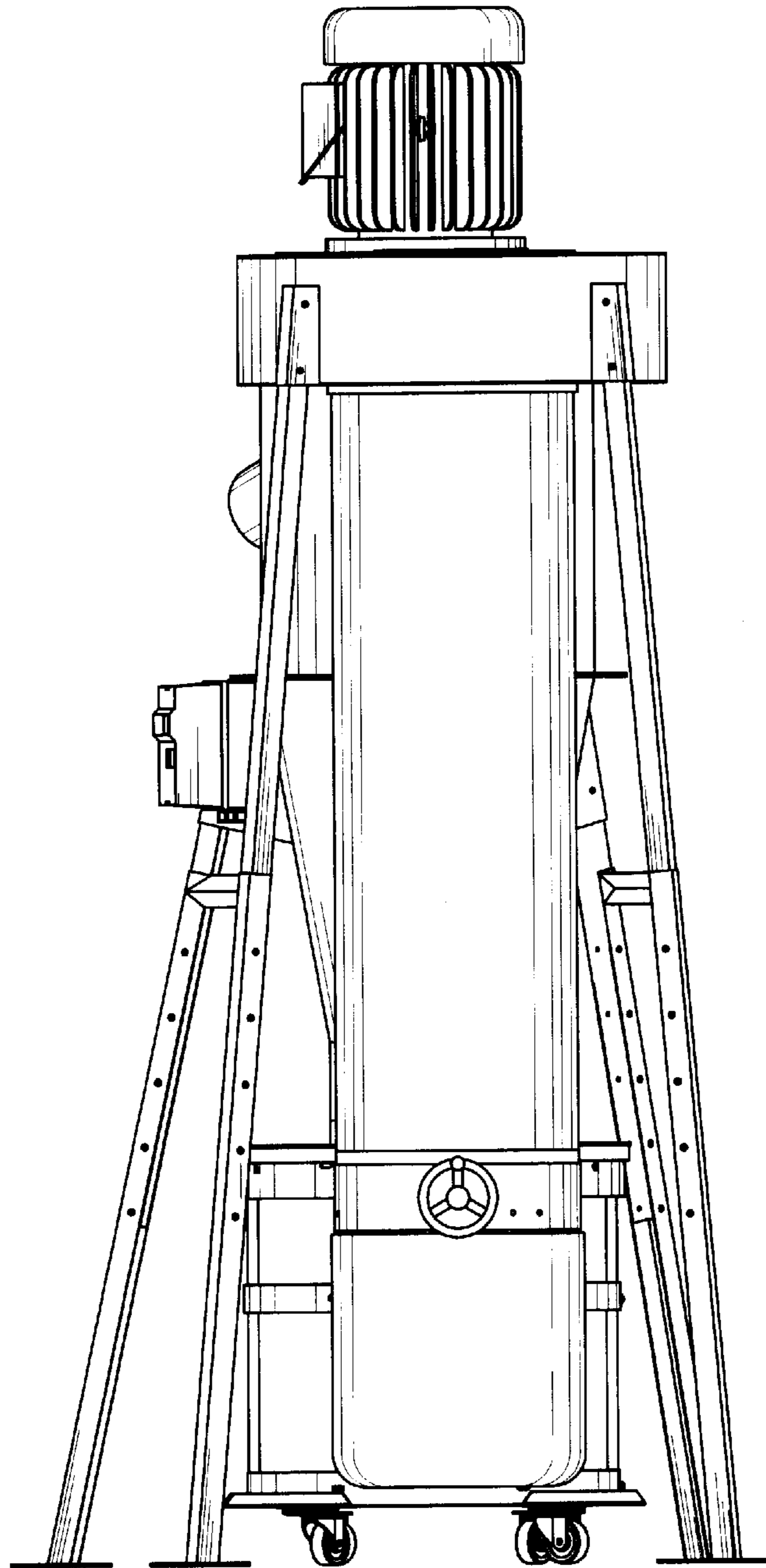


FIG. 3

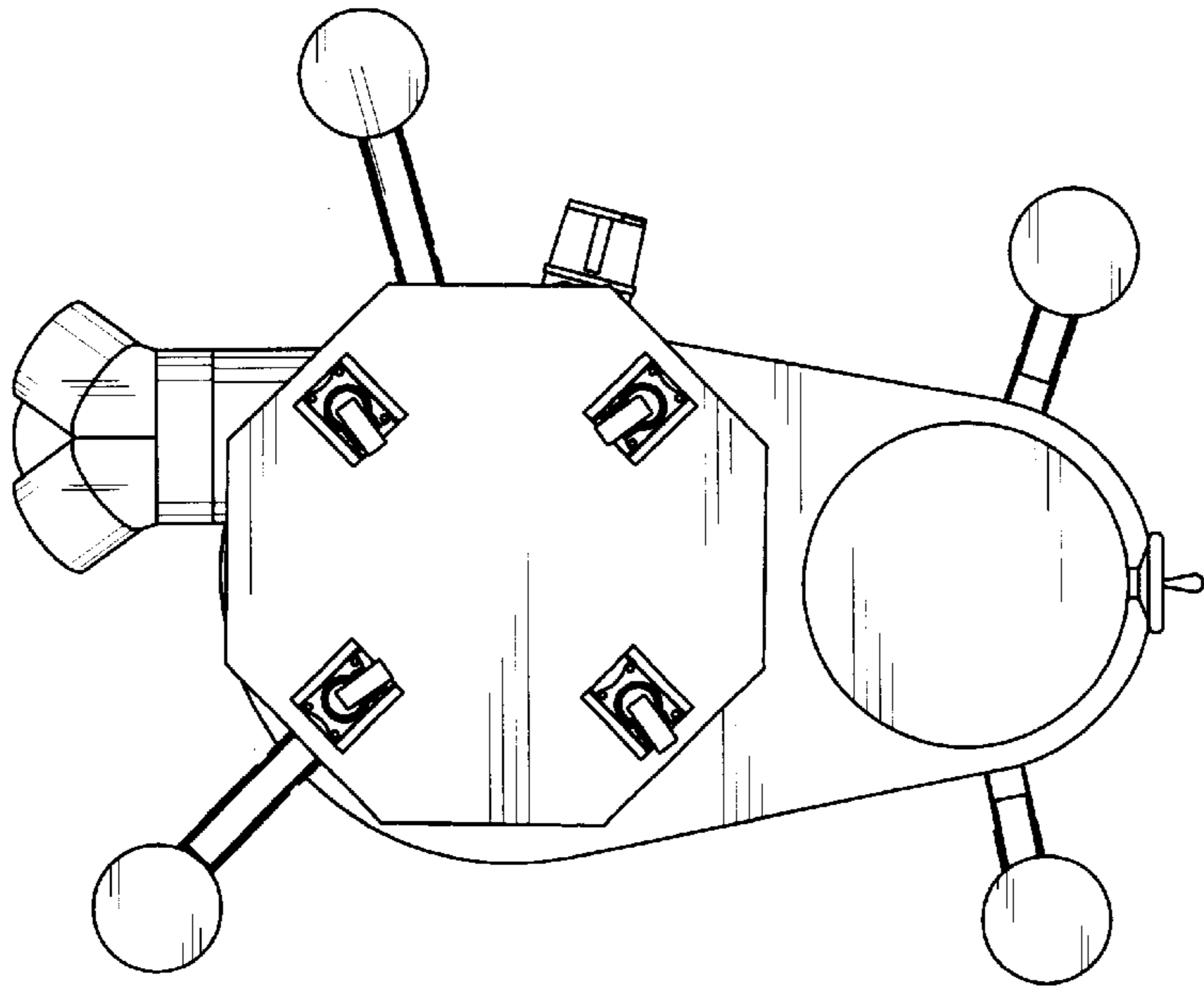


FIG. 5

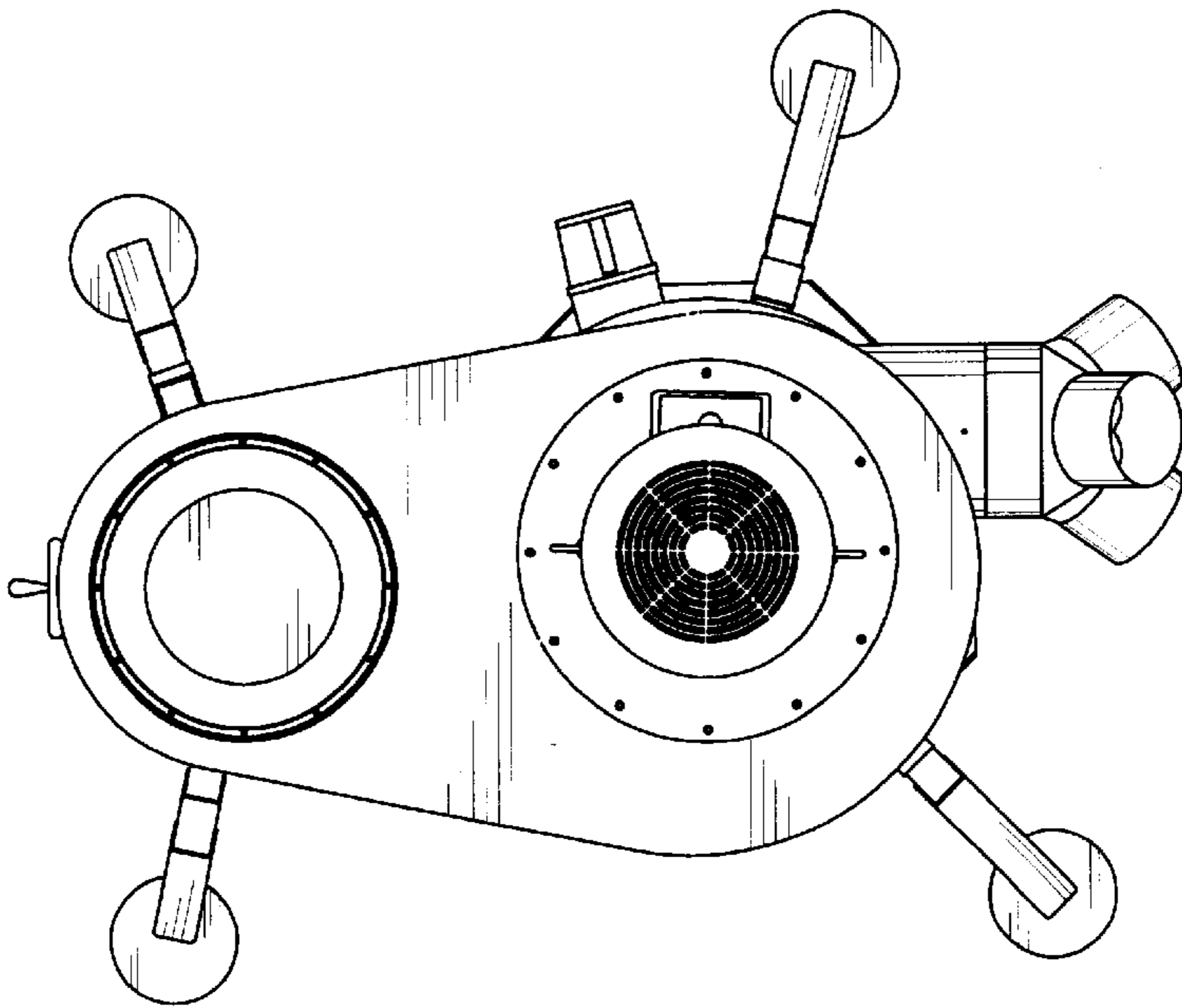


FIG. 4

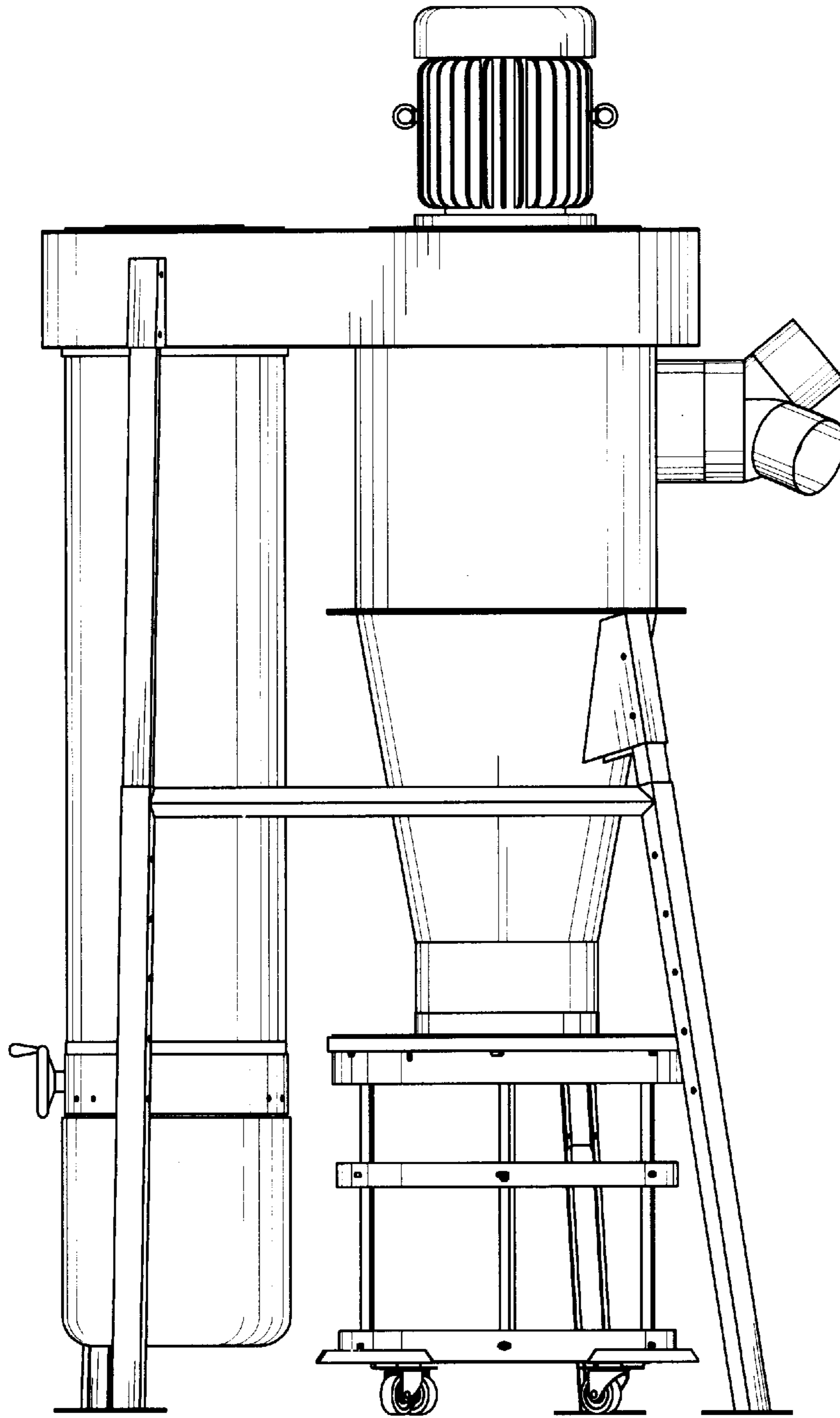


FIG. 6

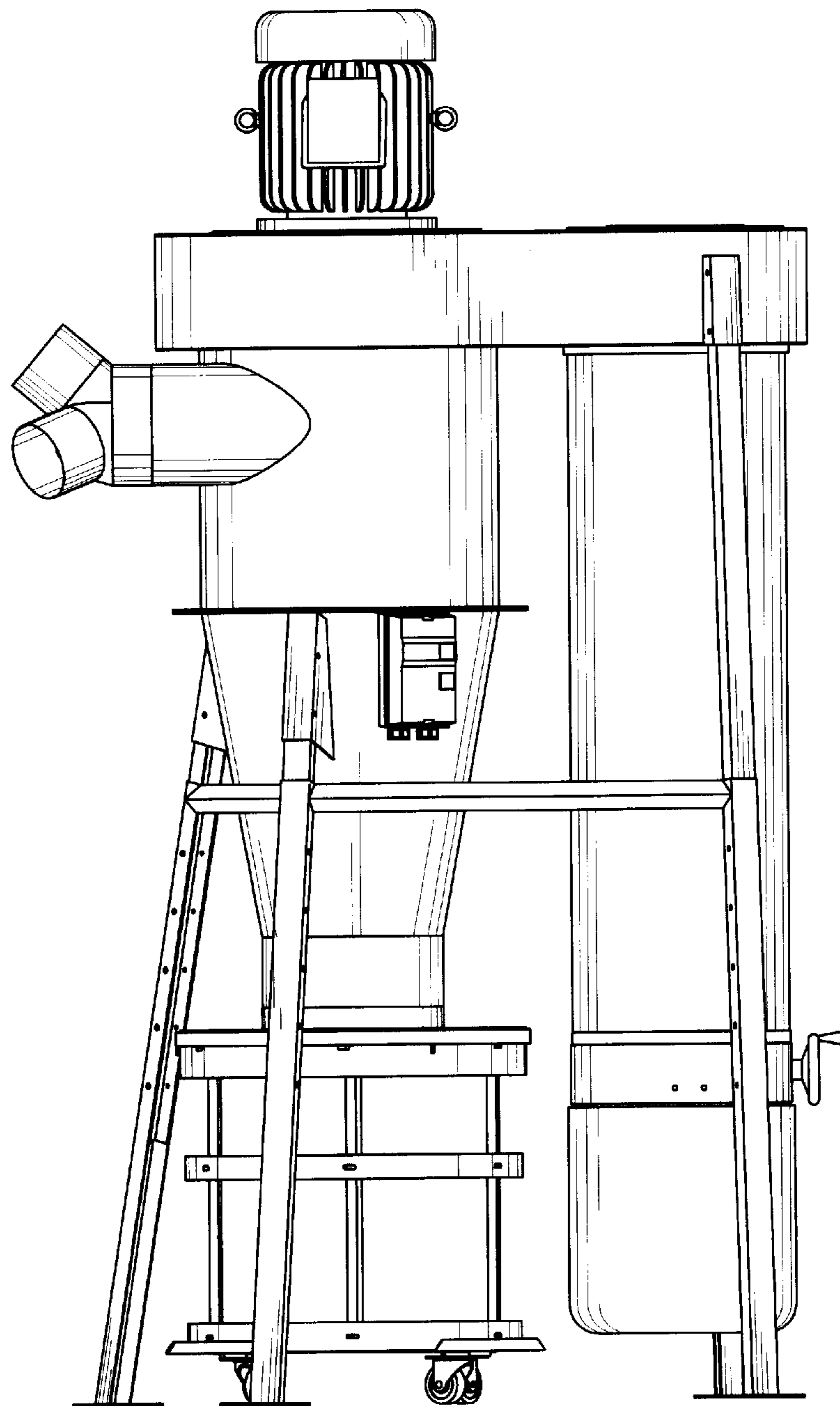


FIG. 7

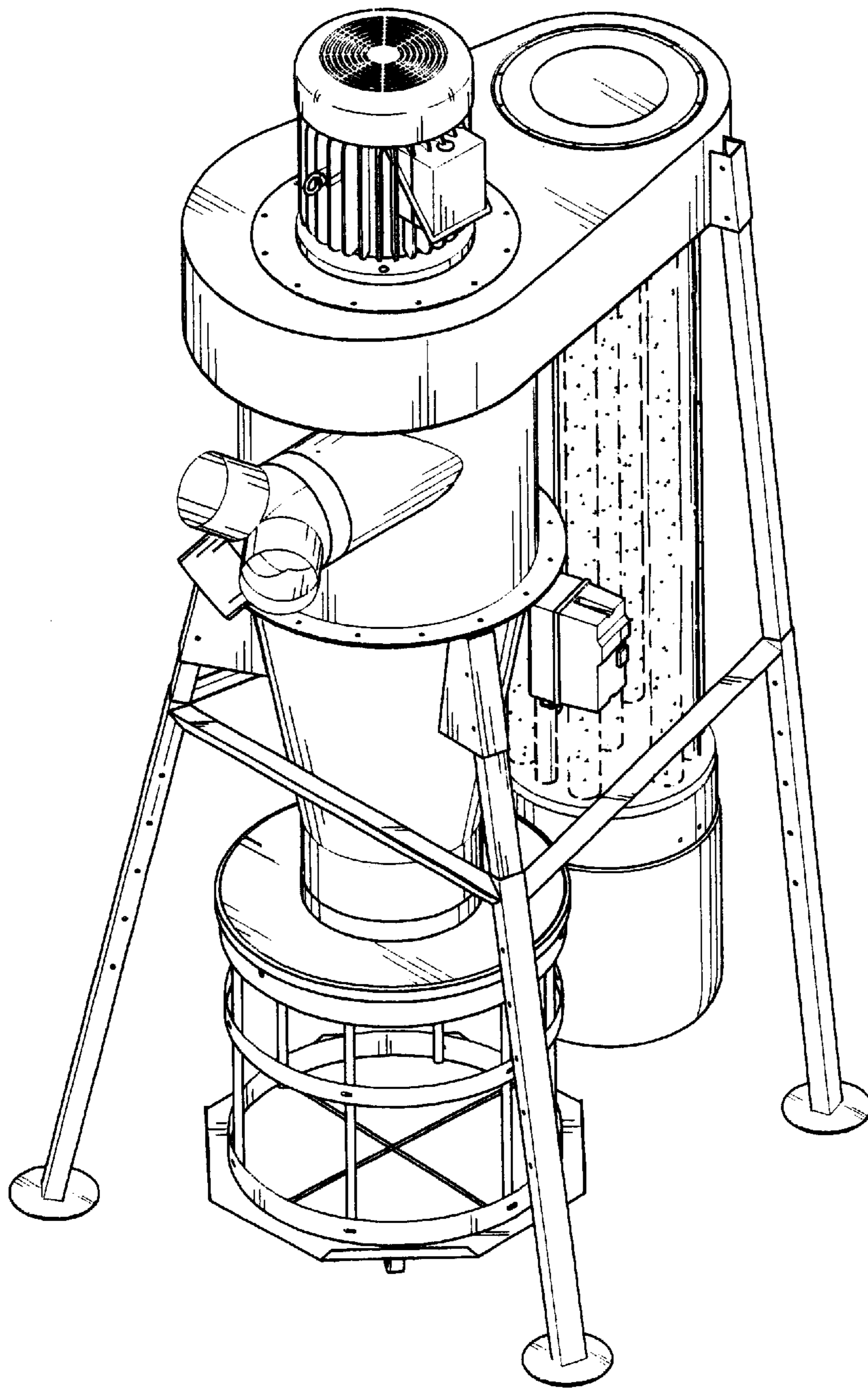


FIG. 8