



US00D531768S

(12) **United States Design Patent**
Lee

(10) **Patent No.:** **US D531,768 S**
(45) **Date of Patent:** **** Nov. 7, 2006**

- (54) **STEAM CLEANER**
- (75) Inventor: **Benny Lee**, Kansas City, MO (US)
- (73) Assignee: **Mitco International Ltd.**, Taipei (TW)
- (**) Term: **14 Years**
- (21) Appl. No.: **29/234,321**
- (22) Filed: **Jul. 18, 2005**
- (51) **LOC (8) Cl.** **15-05**
- (52) **U.S. Cl.** **D32/21**
- (58) **Field of Classification Search** D32/15,
D32/17, 21, 23, 24, 31; 15/320, 321, 327.1,
15/327.2, 327.4, 327.6, 327.7, 353, 329;
134/105, 198, 21; 392/403; 8/149.3; 55/315,
55/428-429, 482, 472; 68/5 R, 5 A, 5 B,
68/222

See application file for complete search history.

(56) **References Cited**

U.S. PATENT DOCUMENTS

- D373,665 S * 9/1996 Nakamura et al. D32/21
- 6,295,691 B1 * 10/2001 Chen 15/321
- D459,040 S * 6/2002 Oh D32/21
- D461,606 S * 8/2002 Kim D32/21
- D471,682 S * 3/2003 Chen D32/21

- D473,025 S * 4/2003 Simmons D32/17
- D489,499 S * 5/2004 Buzzi D32/17
- D490,580 S * 5/2004 Choi D32/21
- D499,517 S * 12/2004 Chen D32/17
- D505,526 S * 5/2005 Tsen D32/21
- D520,196 S * 5/2006 Liu D32/21
- 2003/0115714 A1 * 6/2003 Byung-Sun 15/327.2
- 2003/0208872 A1 * 11/2003 Tsen 15/321
- 2004/0144140 A1 * 7/2004 Lee 68/222

* cited by examiner

Primary Examiner—Ruth McInroy

(74) *Attorney, Agent, or Firm*—Bacon & Thomas

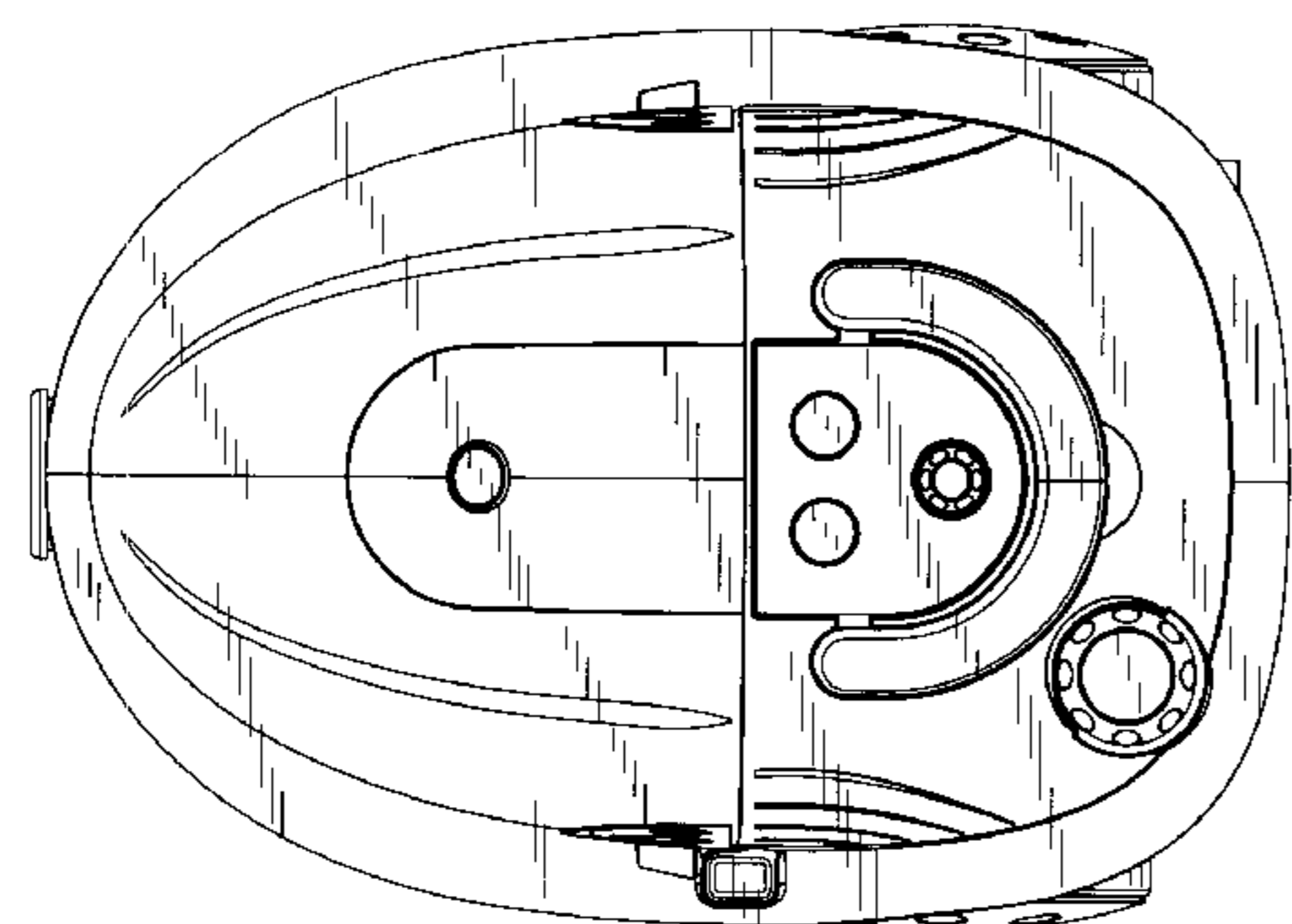
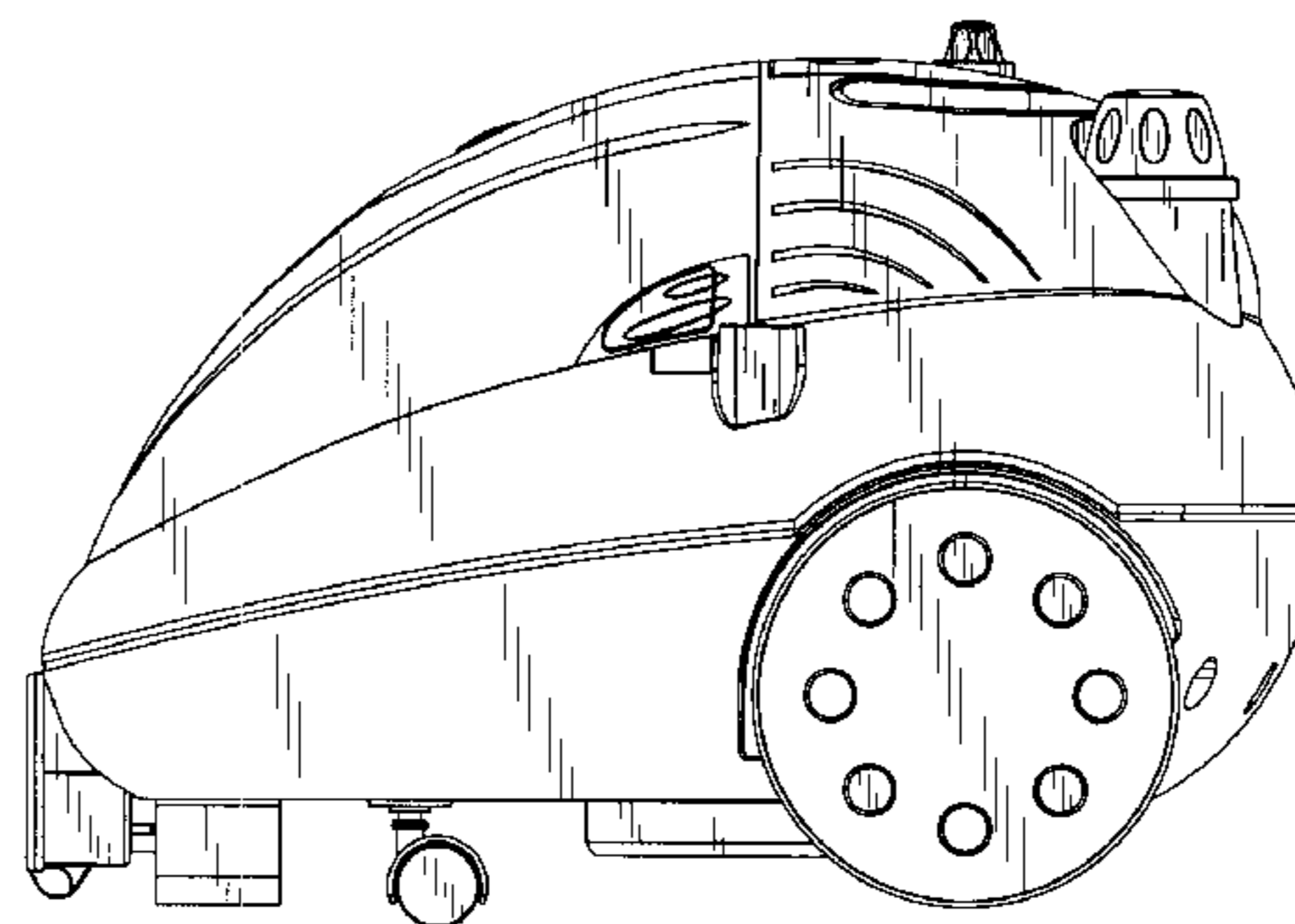
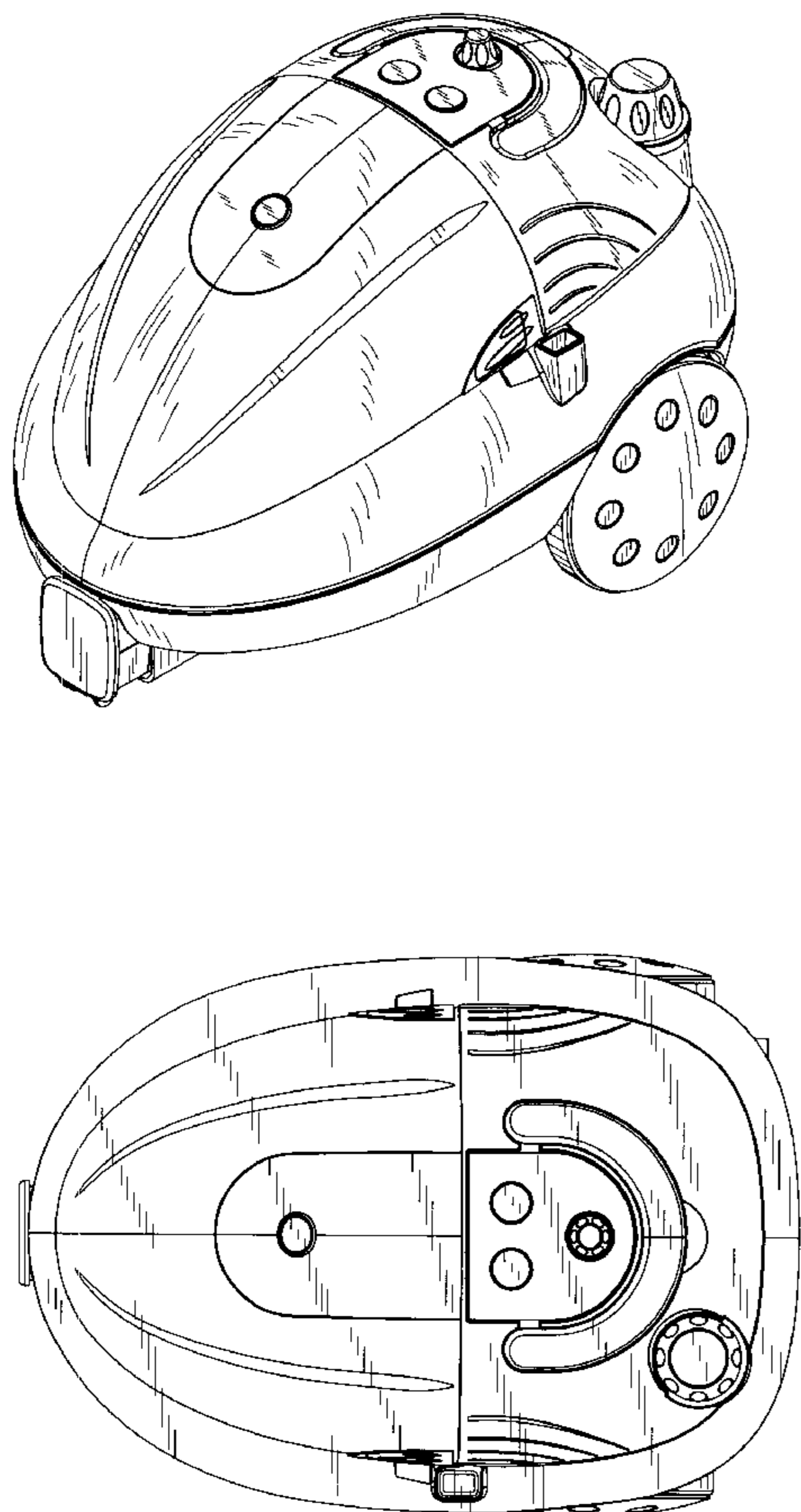
(57) **CLAIM**

The ornamental design for a steam cleaner, as shown.

DESCRIPTION

FIG. 1 shows a perspective view of the present design.
 FIG. 2 shows a right side elevational view of the present design.
 FIG. 3 shows a top plan view of the present design.
 FIG. 4 shows a front elevational view of the present design.
 FIG. 5 shows a bottom plan view of the present design.
 FIG. 6 shows a left side elevational view of the present design; and,
 FIG. 7 shows a rear elevational view of the present design.

1 Claim, 4 Drawing Sheets



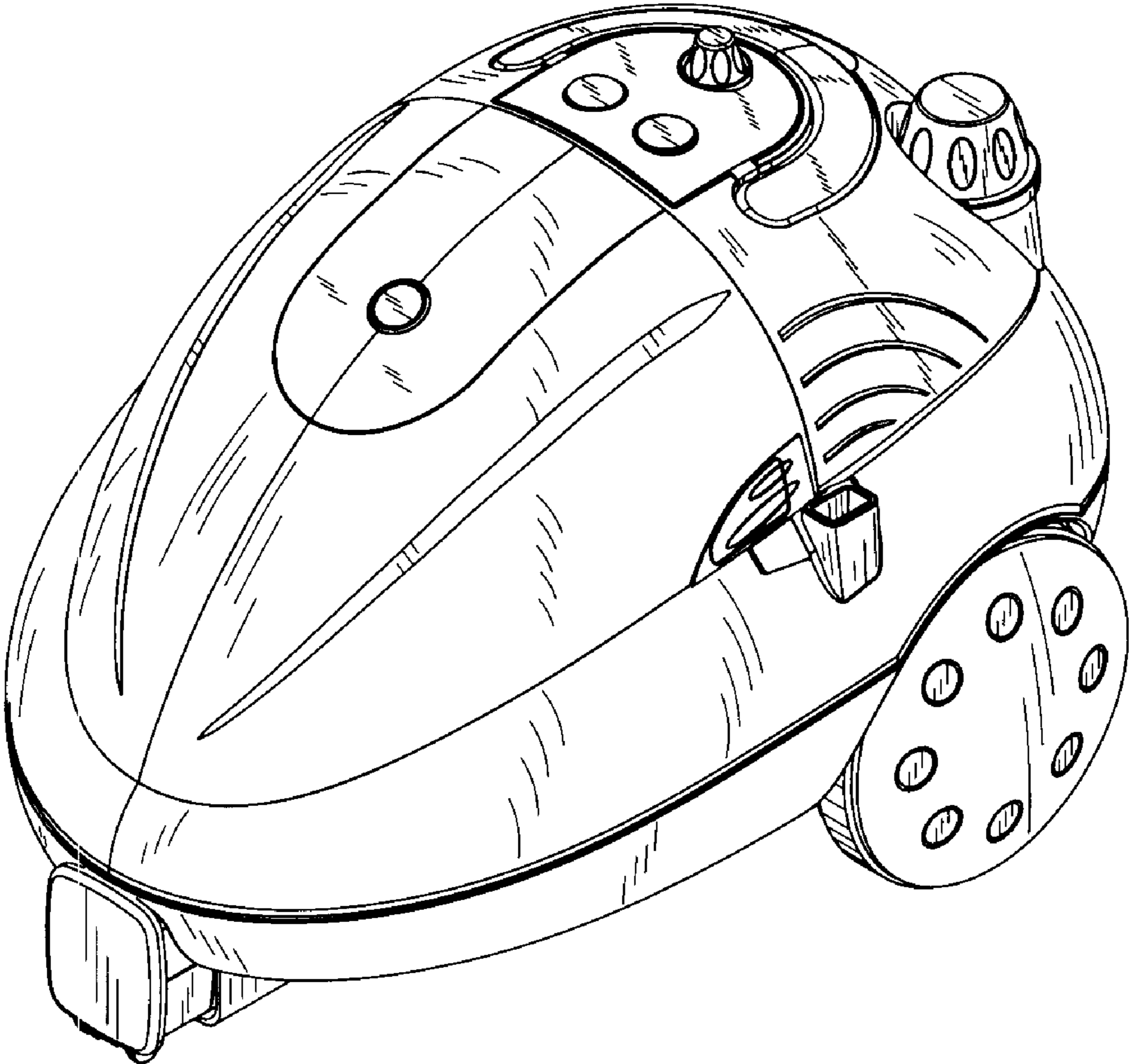


FIG. 1

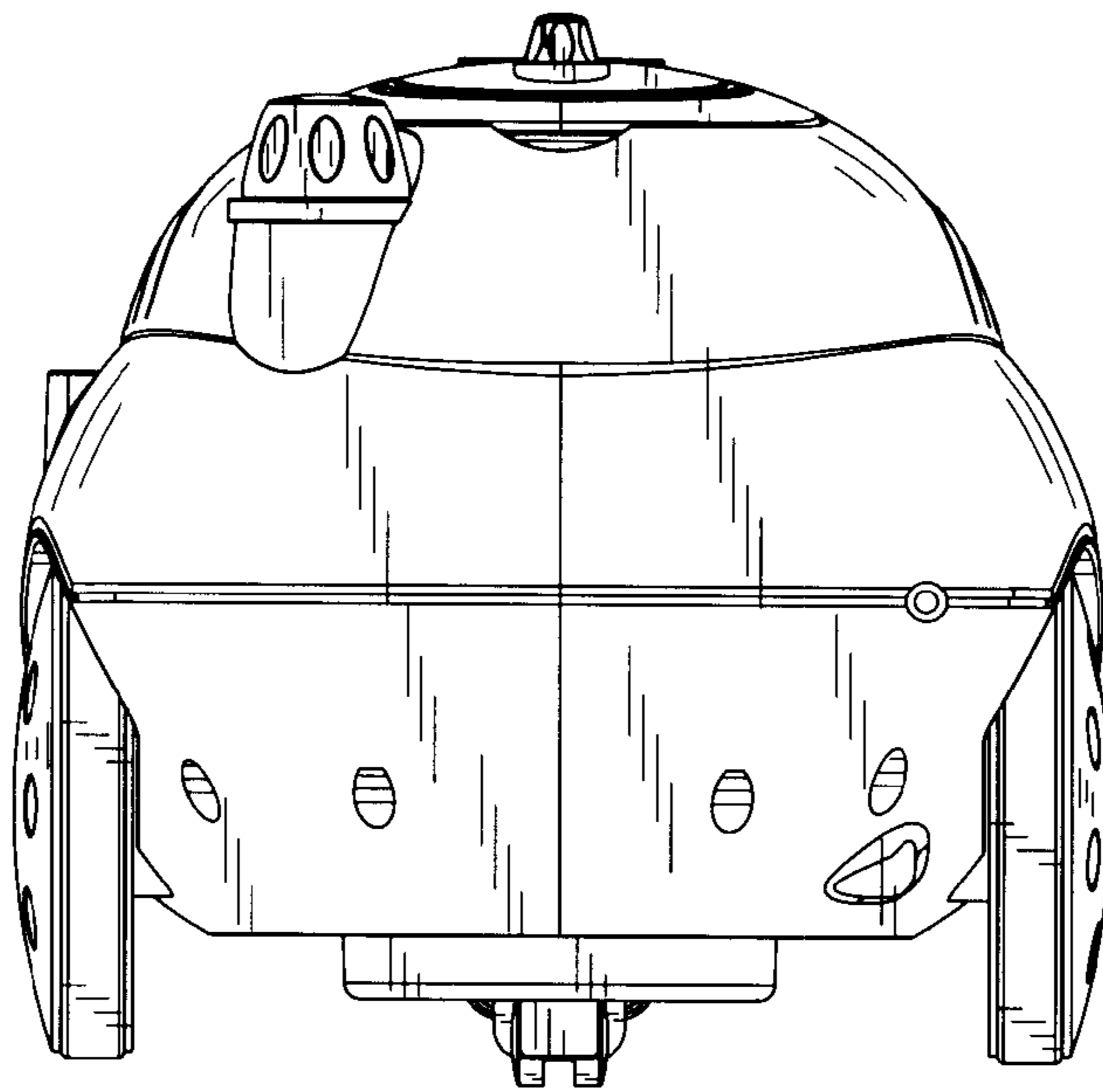


FIG. 2

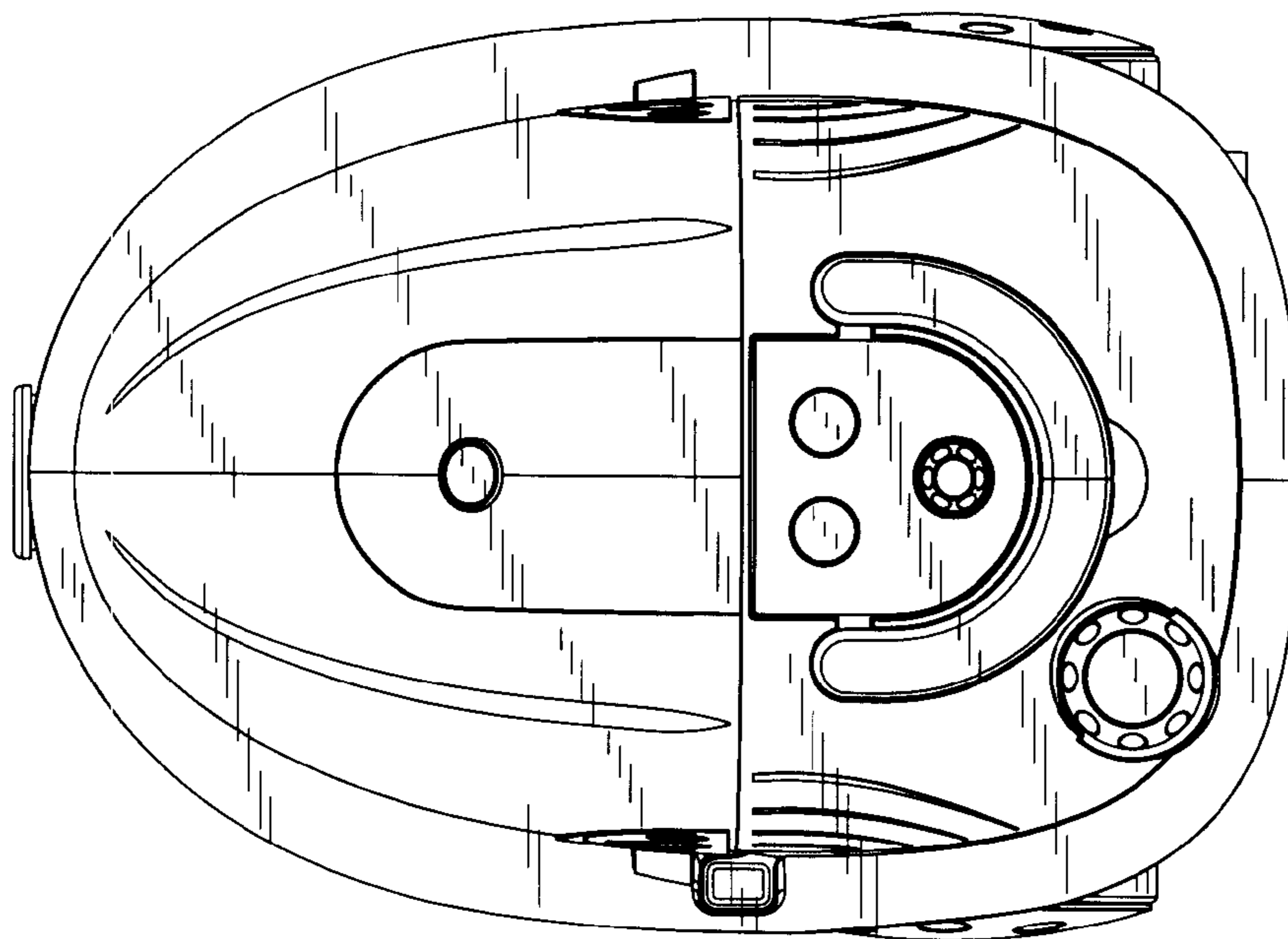


FIG. 3

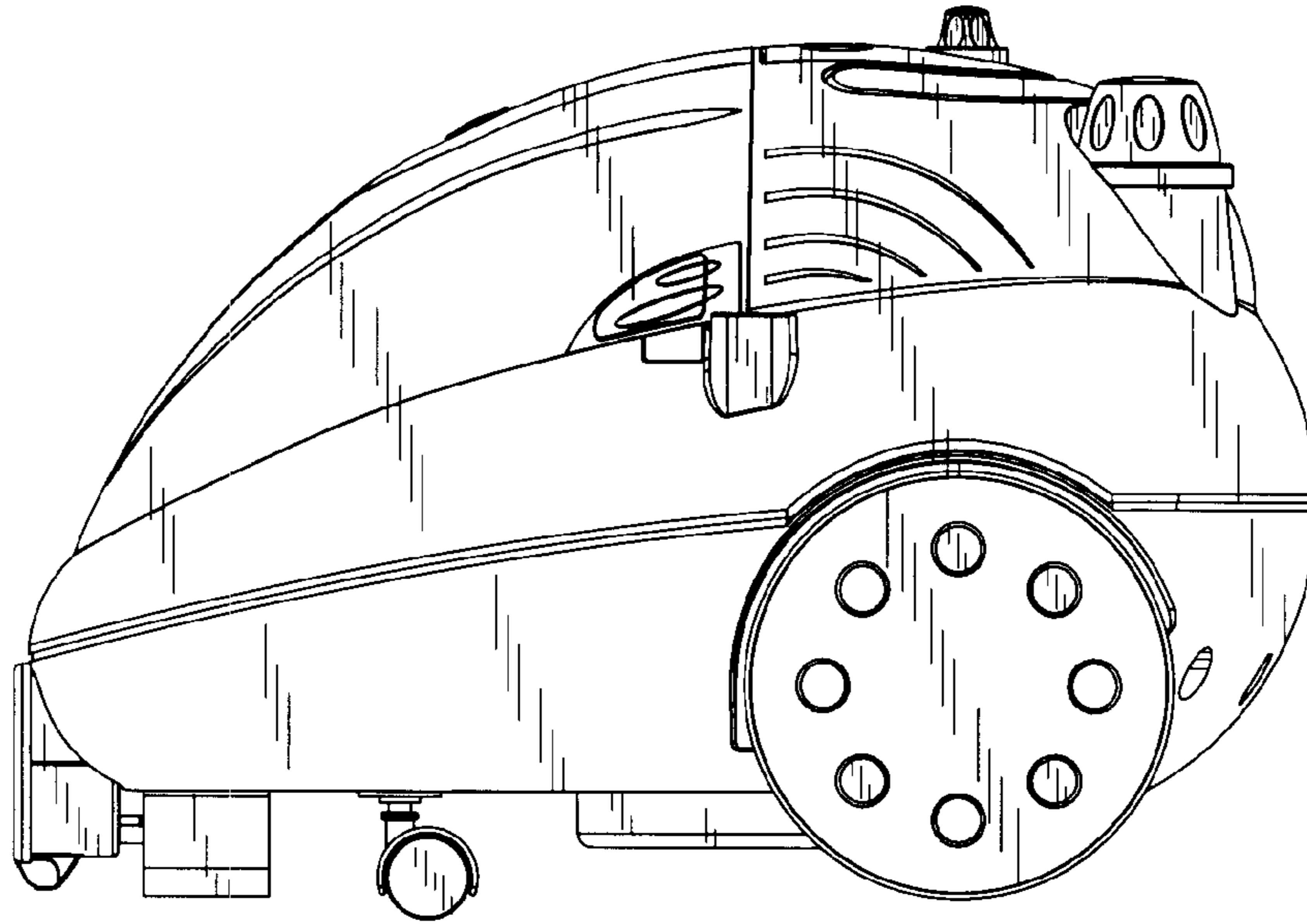


FIG. 4

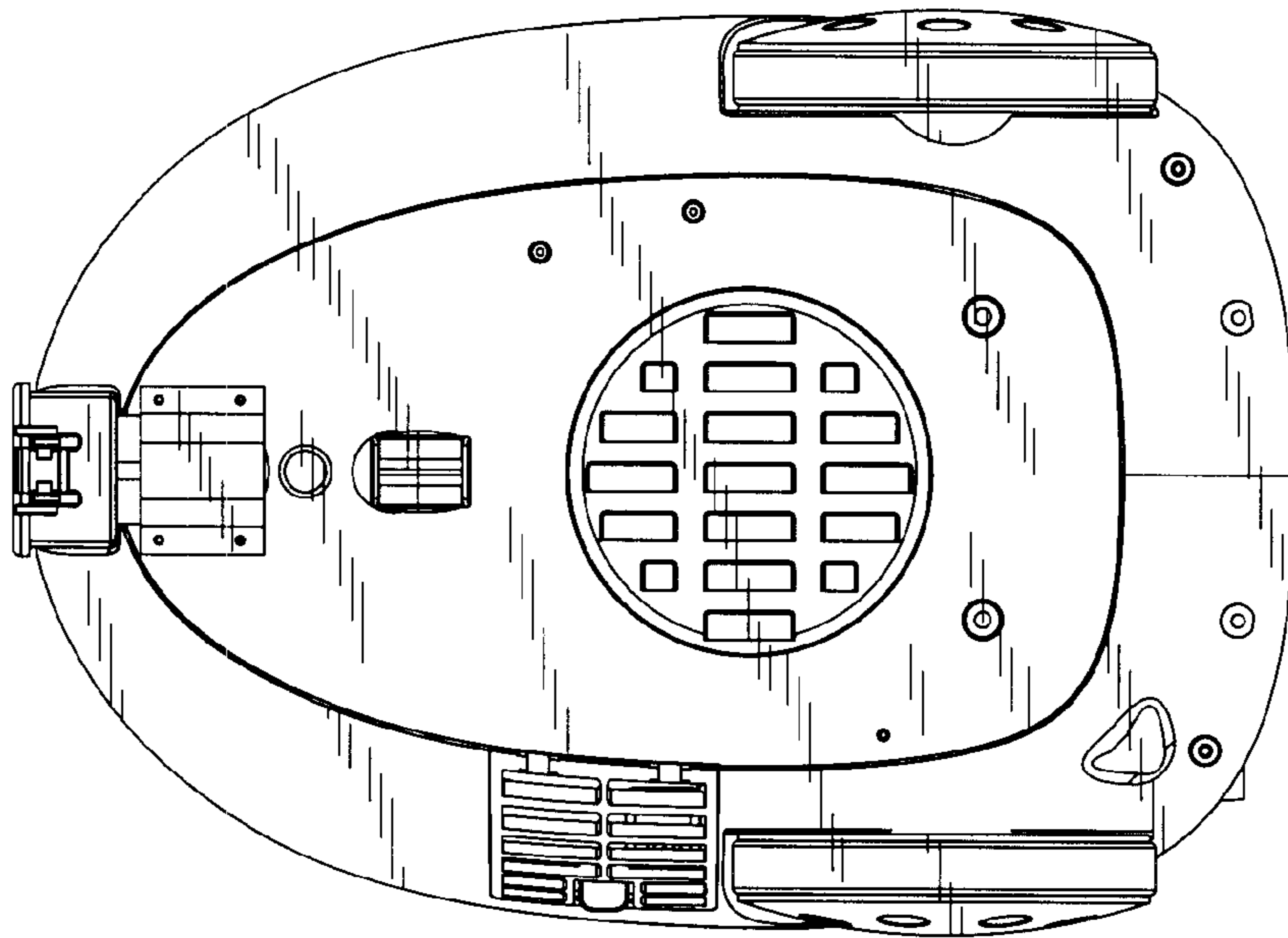


FIG. 5

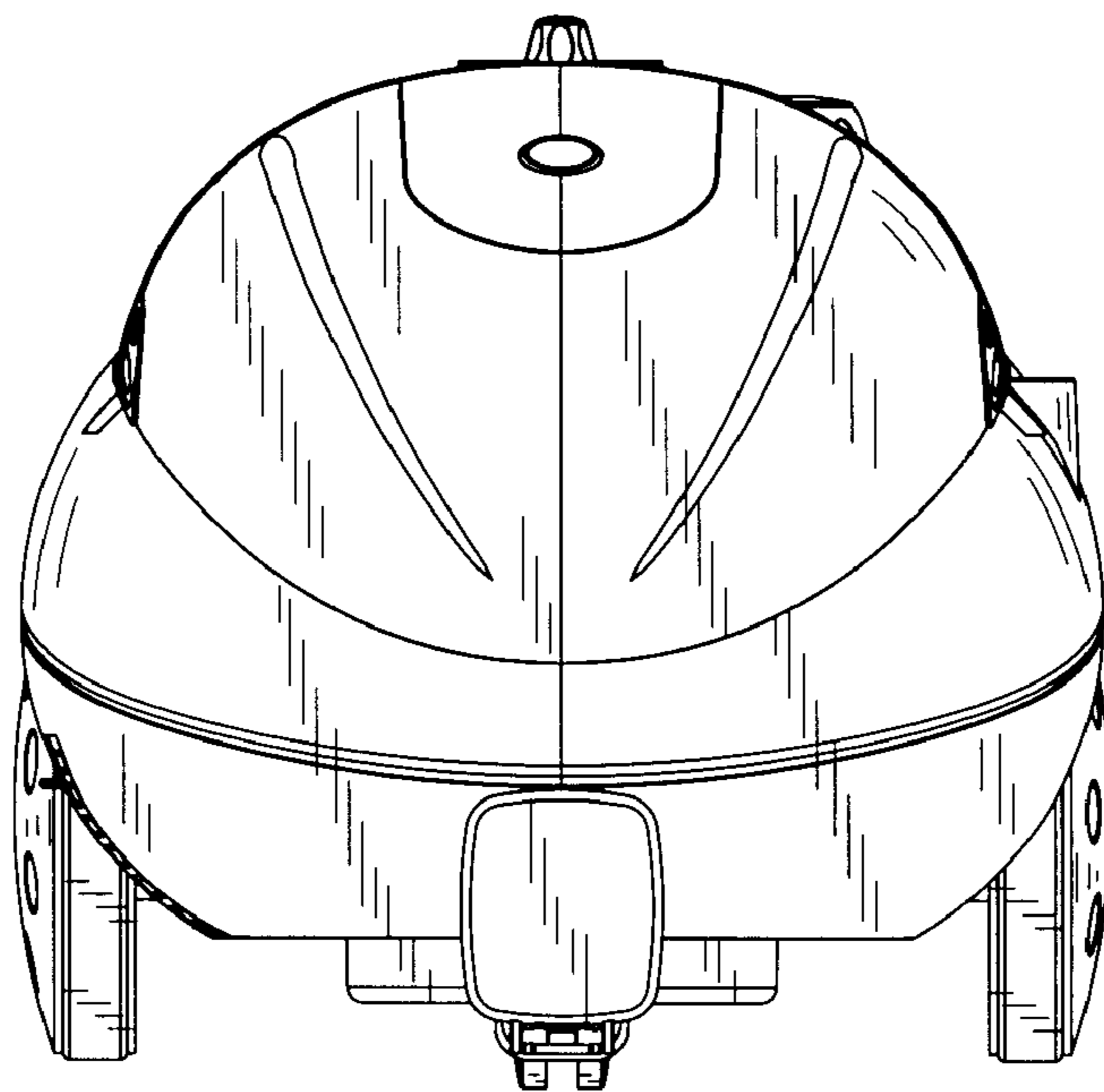


FIG. 6

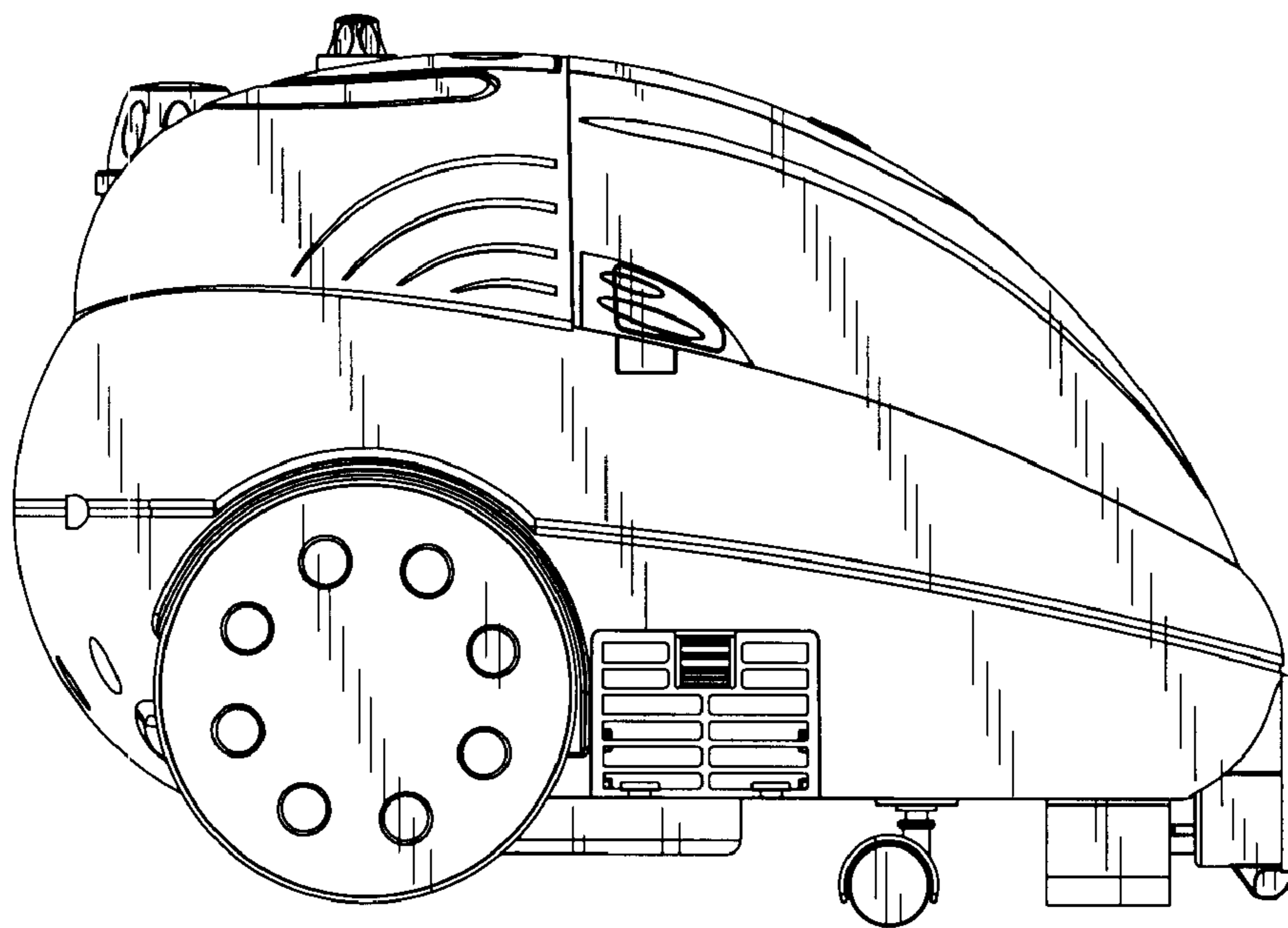


FIG. 7