



US00D531767S

(12) **United States Design Patent**
Hastie

(10) **Patent No.:** **US D531,767 S**

(45) **Date of Patent:** **** Nov. 7, 2006**

(54) **PORTABLE DUST COLLECTOR**

(75) Inventor: **James Hastie**, Pocklington (GB)

(73) Assignee: **GMCA Pty Limited**, Melbourne Airport (AU)

(**) Term: **14 Years**

(21) Appl. No.: **29/251,680**

(22) Filed: **Jan. 11, 2006**

(30) **Foreign Application Priority Data**

Nov. 8, 2005 (GB) 3023031

(51) **LOC (8) Cl.** **15-05**

(52) **U.S. Cl.** **D32/15**

(58) **Field of Classification Search** D32/15,
D32/18, 21, 31; 15/405, 330, 344, 327.1,
15/327.2, 327.4, 327.6, 327.7, 353, 329,
15/345; 34/397, 69; D34/14, 17; 417/234
See application file for complete search history.

(56) **References Cited**

U.S. PATENT DOCUMENTS

4,118,826 A * 10/1978 Kaeser 15/328
D285,132 S * 8/1986 Smith et al. D32/15
D326,544 S * 5/1992 Yamamoto D32/21

D339,432 S * 9/1993 Rakocy et al. D32/15
D354,378 S * 1/1995 McKnight et al. D32/15
D361,414 S * 8/1995 Trautloff et al. D32/15
5,768,749 A * 6/1998 Ohi et al. 15/405
D417,044 S * 11/1999 Ohi et al. D32/15
6,007,304 A * 12/1999 Veser 417/234
6,503,063 B1 * 1/2003 Brunsell 417/234

* cited by examiner

Primary Examiner—Ruth McInroy

(74) *Attorney, Agent, or Firm*—McKee, Voorhees & Sease, P.L.C.

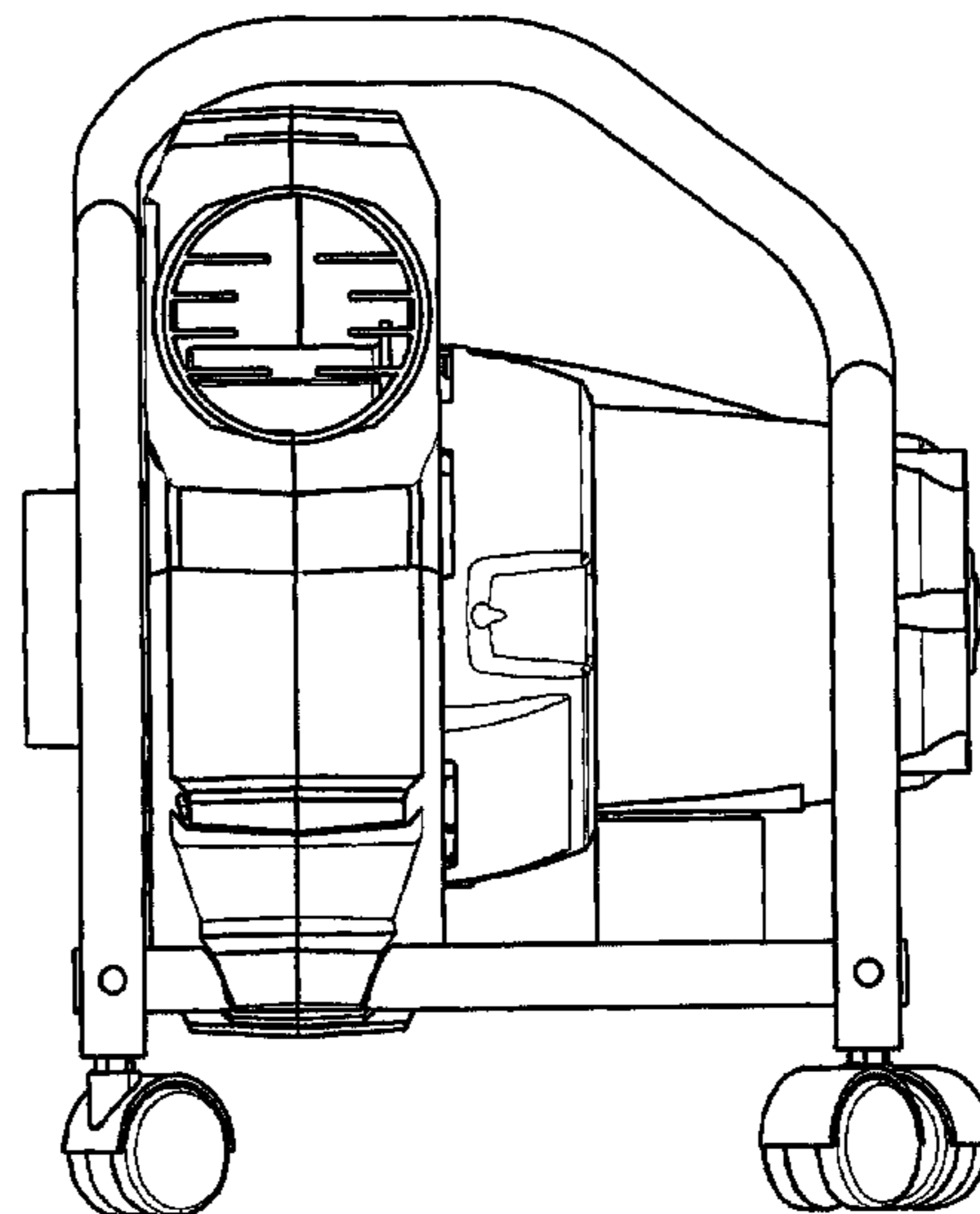
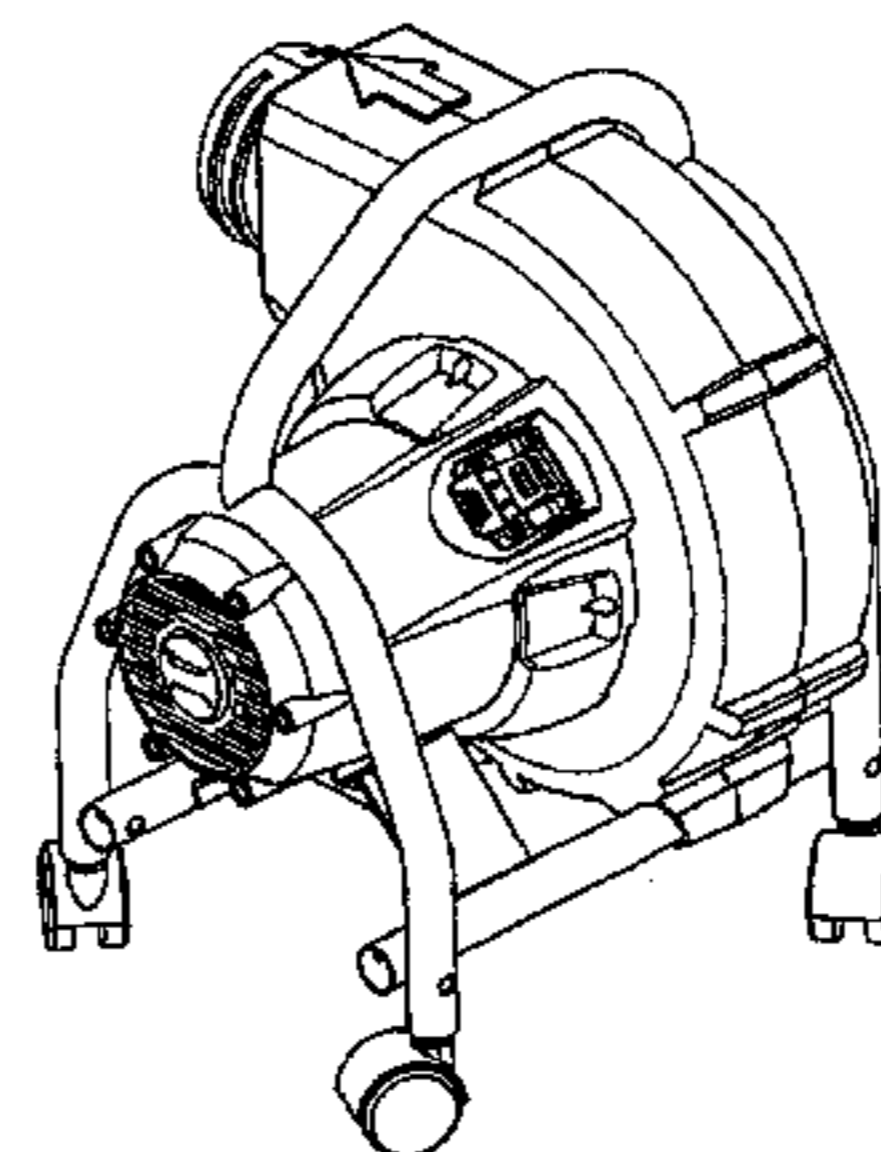
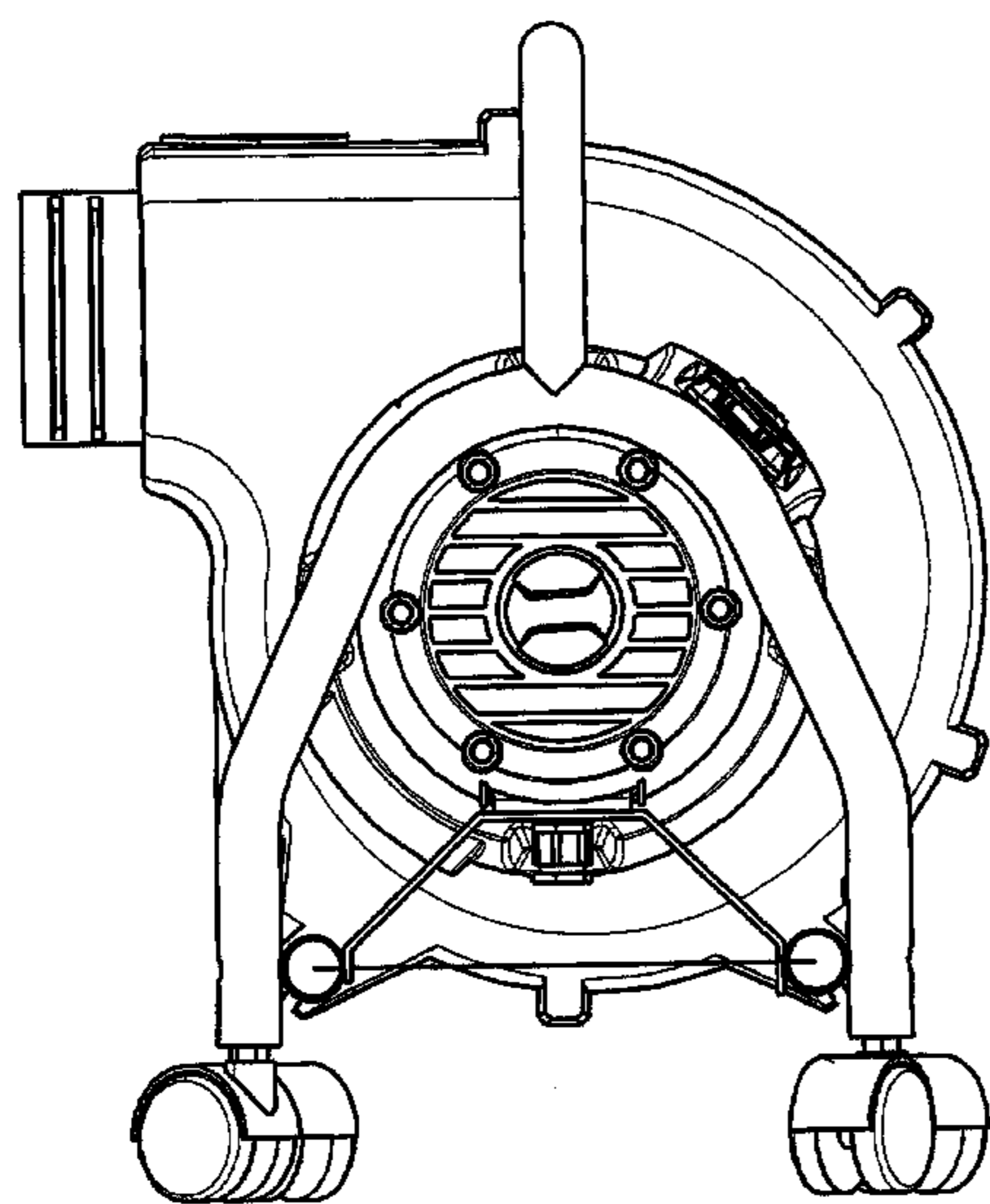
(57) **CLAIM**

I claim the ornamental design for a portable dust collector, substantially as shown.

DESCRIPTION

FIG. 1 is a top view of a portable dust collector showing my new design;
FIG. 2 is a right side view thereof;
FIG. 3 is a top, rear and left side perspective view thereof;
FIG. 4 is a top, front and right side perspective view thereof;
FIG. 5 is a left side view thereof;
FIG. 6 is a rear view thereof;
FIG. 7 is a bottom view thereof; and,
FIG. 8 is a front view thereof.

1 Claim, 7 Drawing Sheets



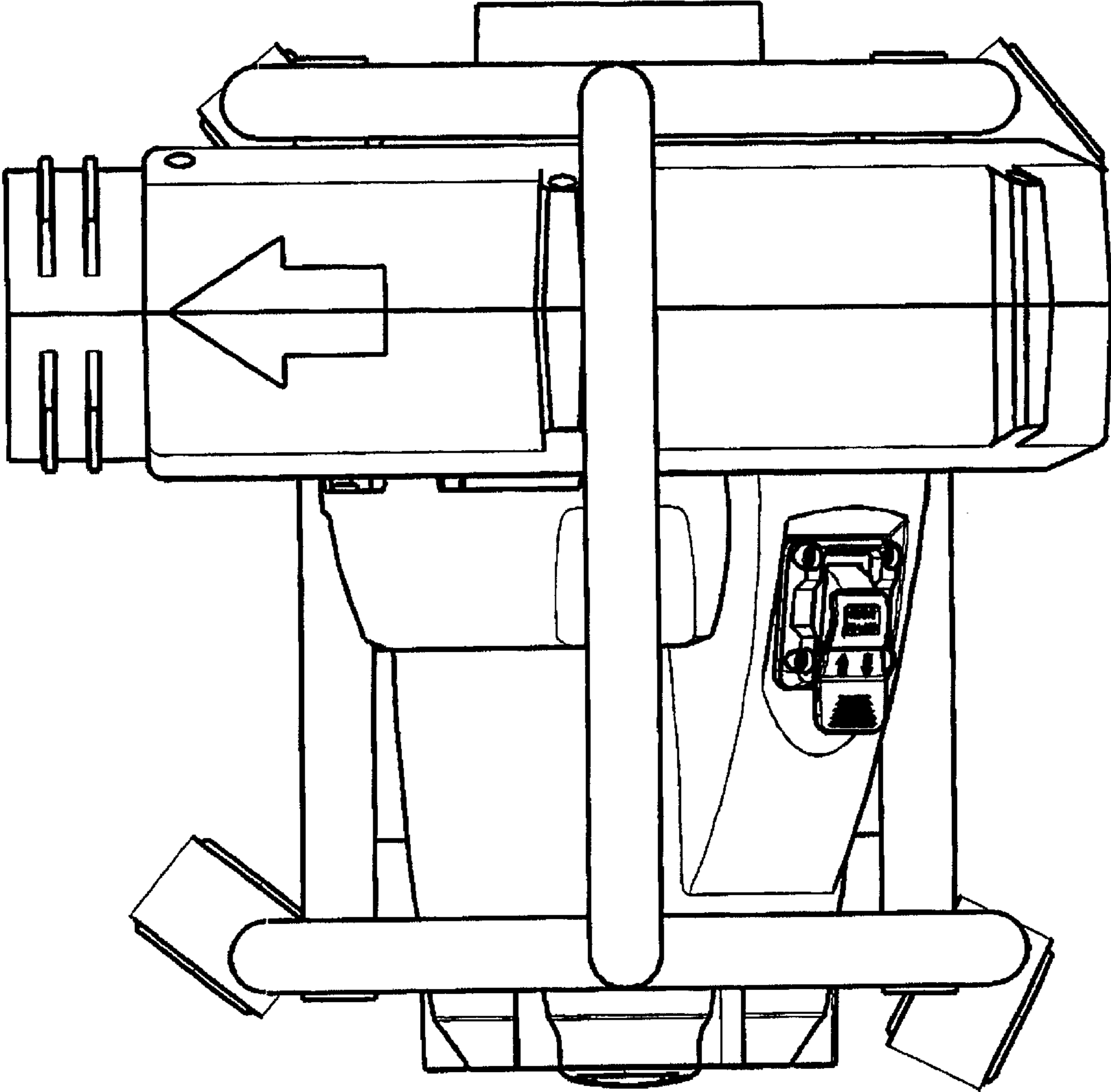


Fig. 1

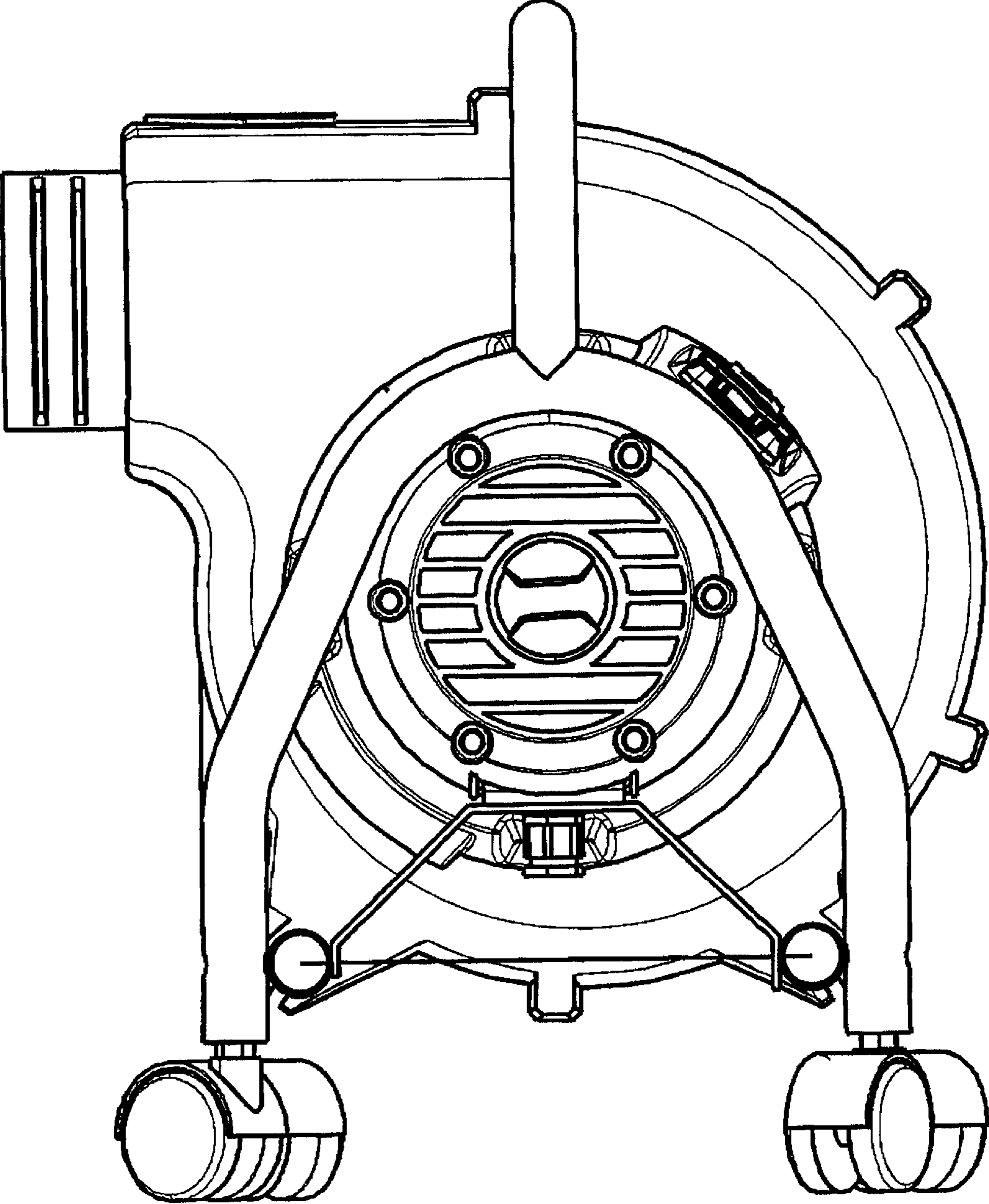


Fig. 2

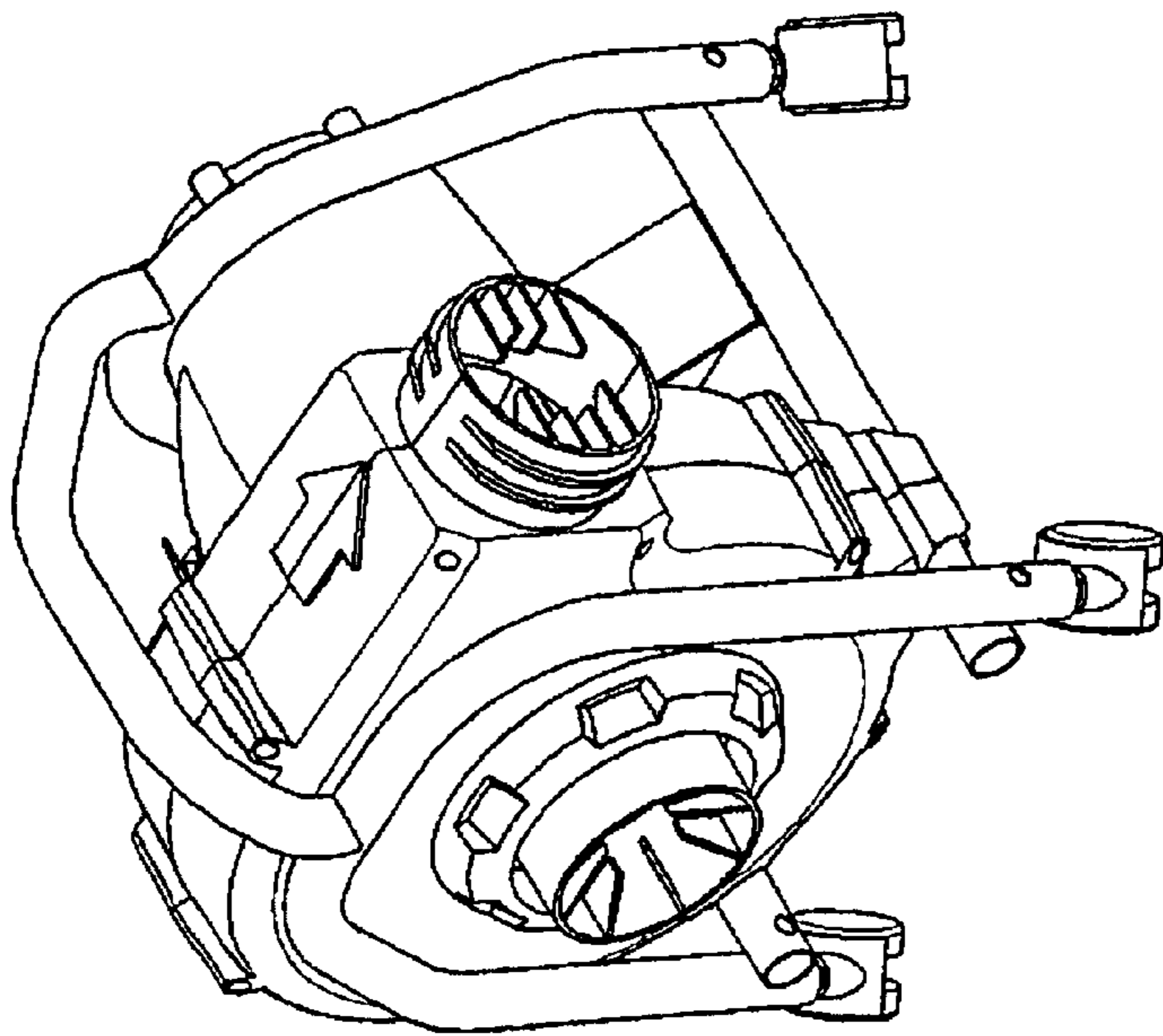


Fig. 3

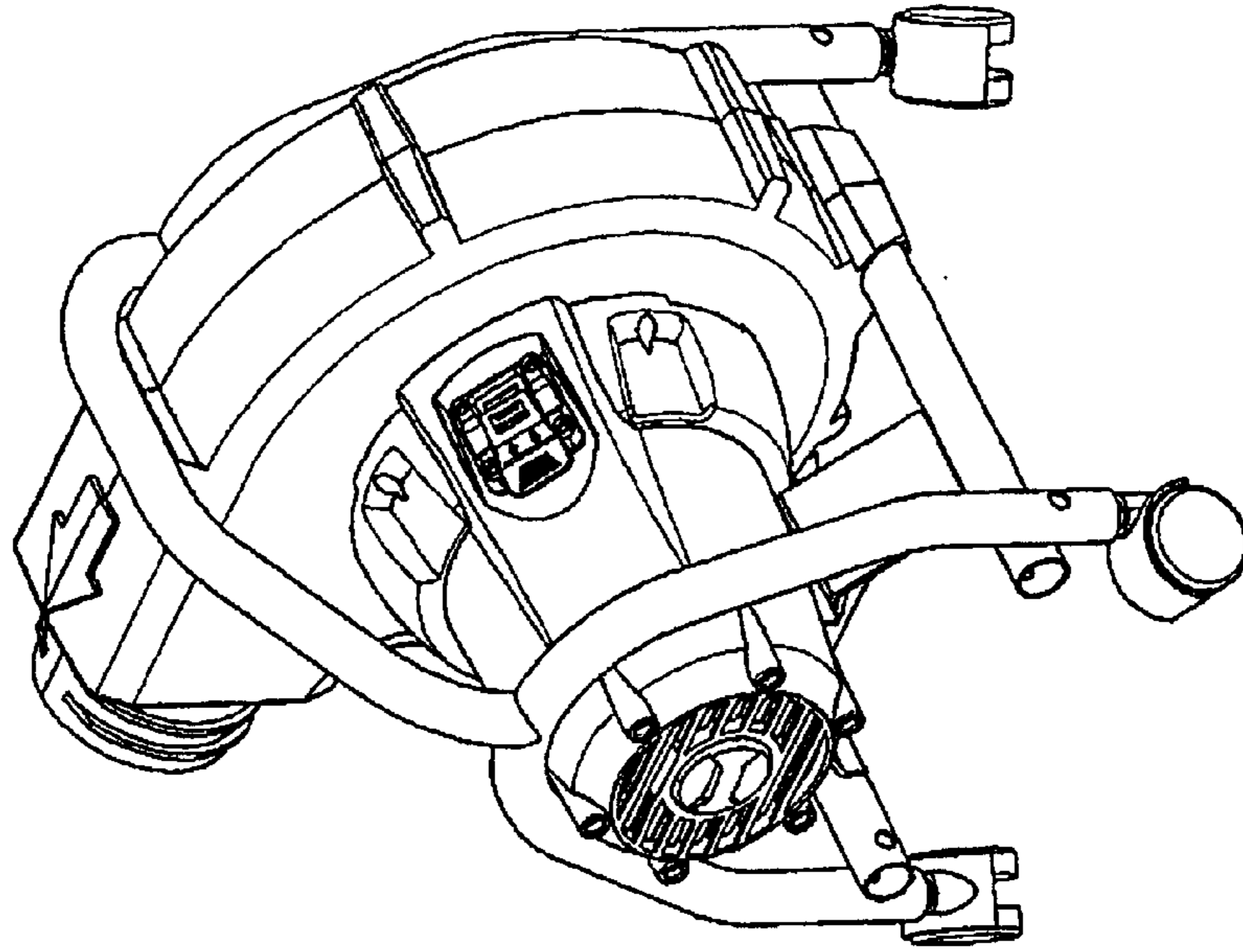


Fig. 4

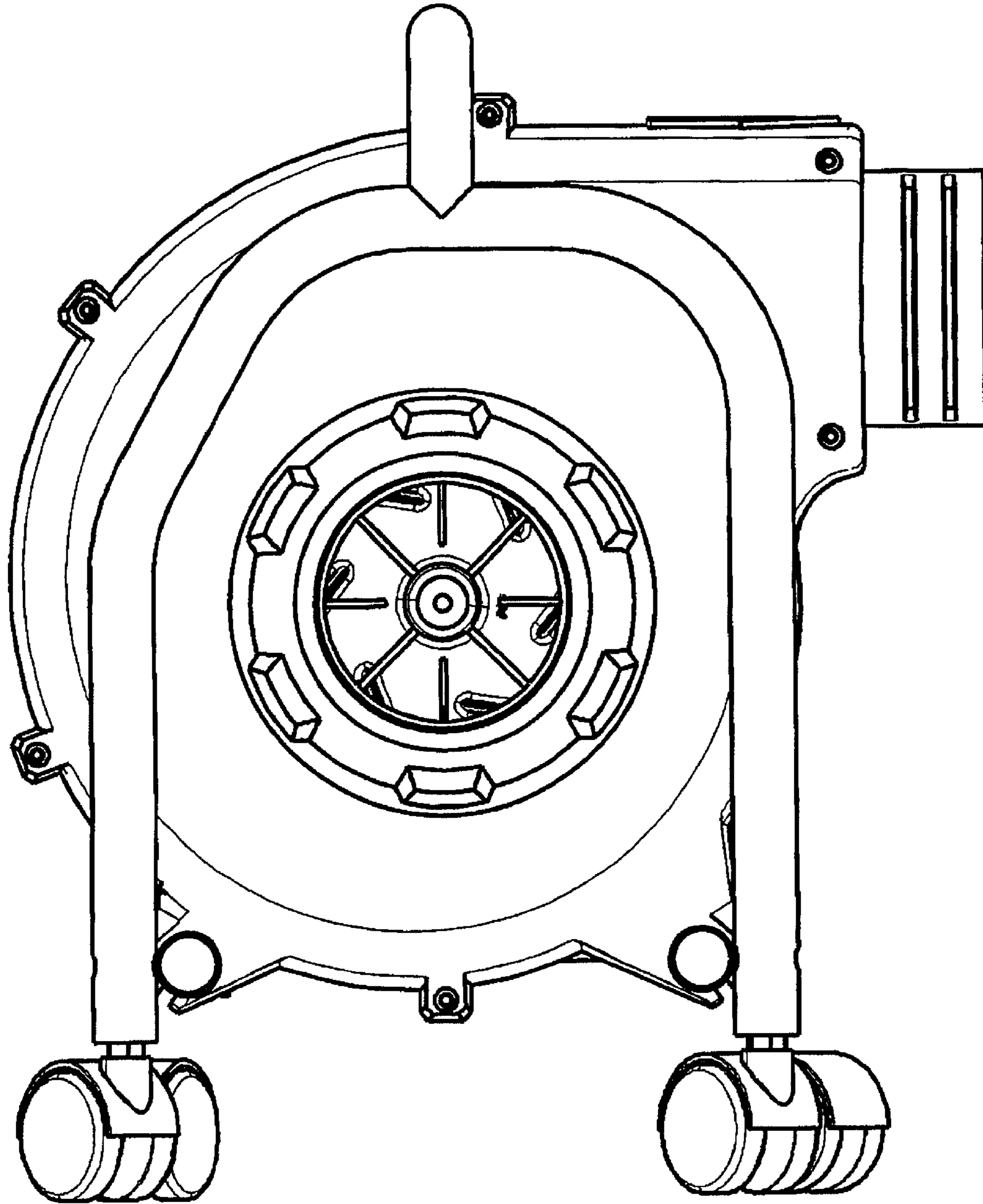


Fig. 5

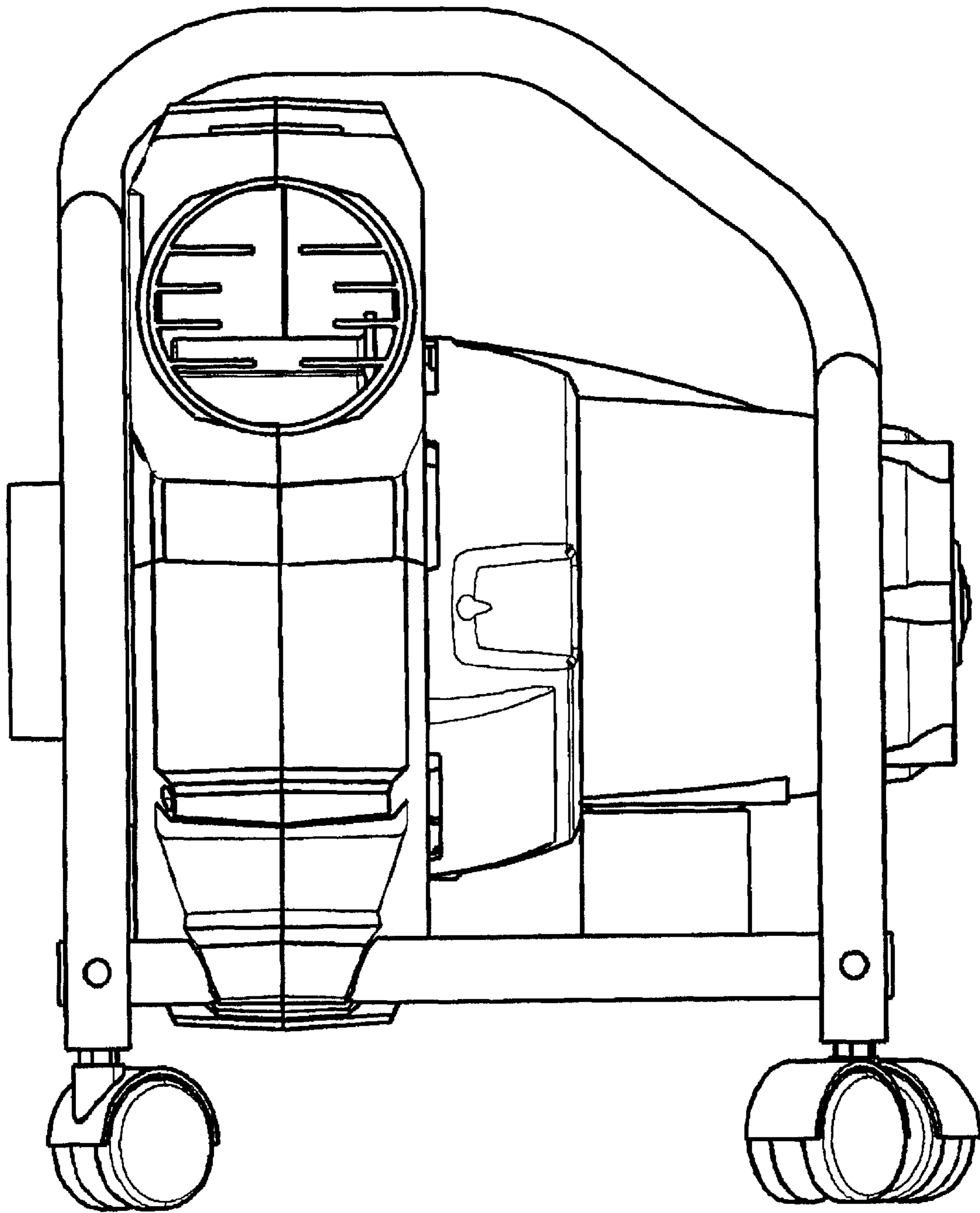


Fig. 6

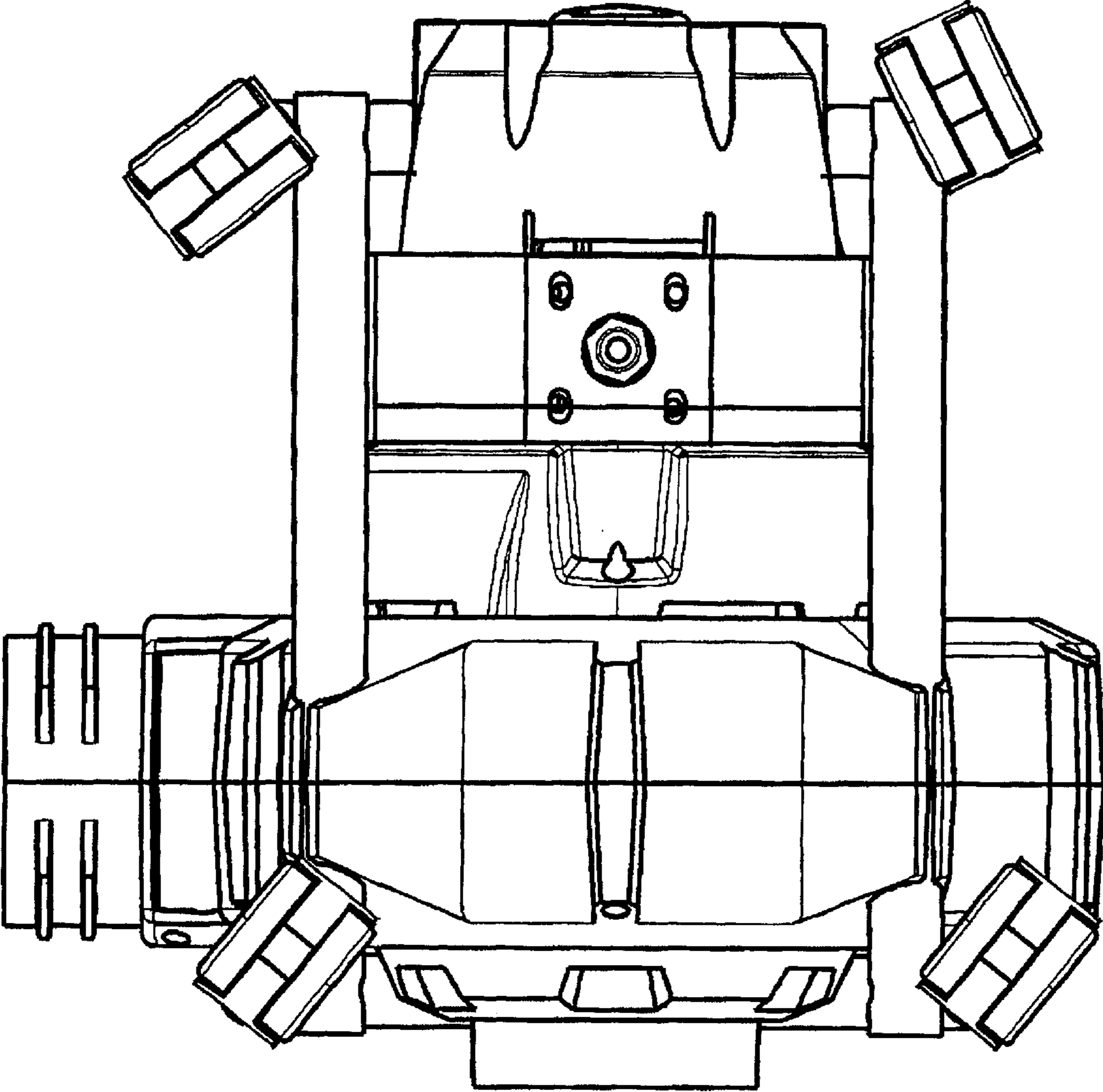


Fig. 7

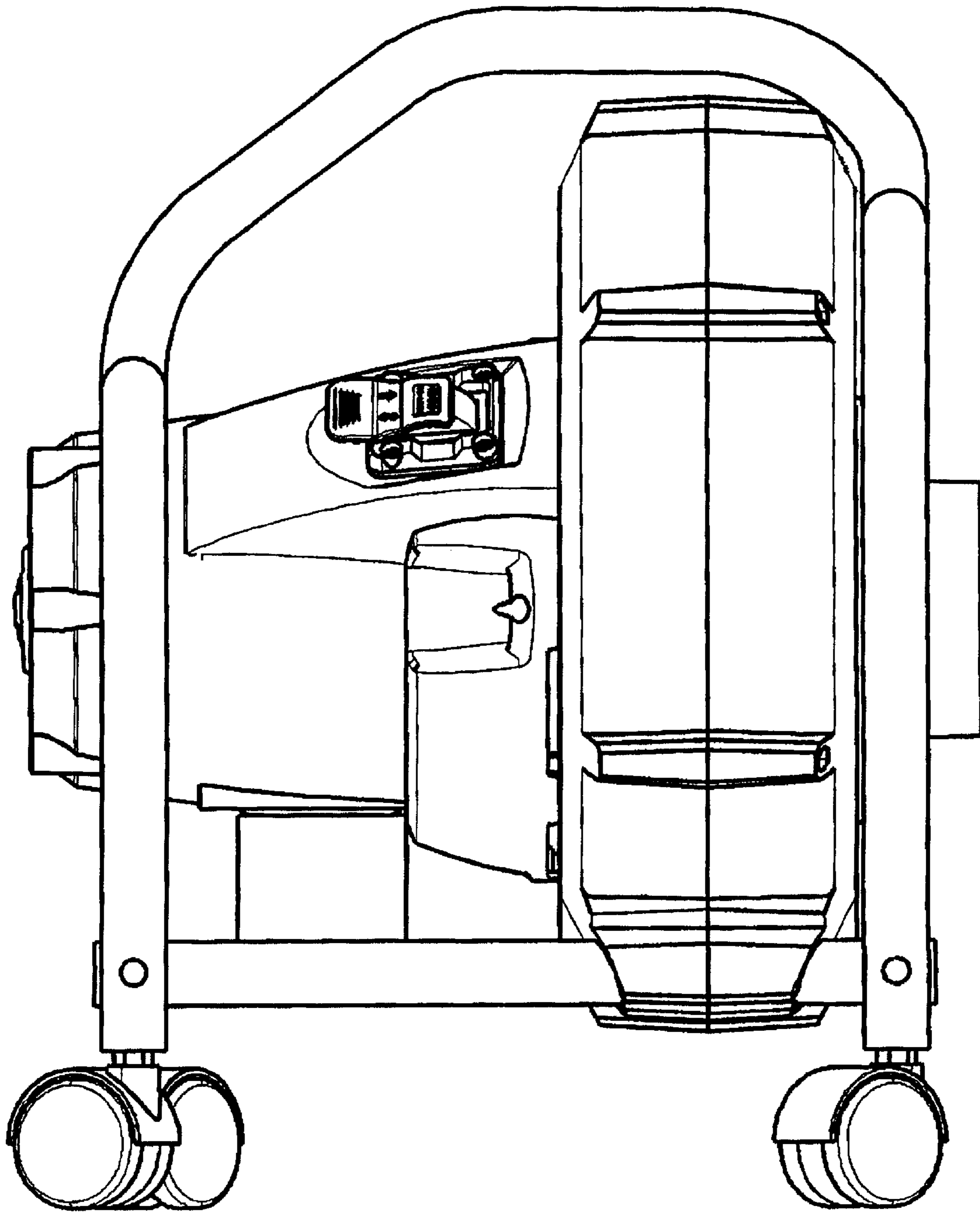


Fig. 8