



US00D531764S

(12) **United States Design Patent**  
**Gibis et al.**

(10) **Patent No.:** **US D531,764 S**

(45) **Date of Patent:** **\*\* Nov. 7, 2006**

(54) **DISHWASHER CAGE**

(75) Inventors: **Karl Ludwig Gibis**, Ludwigshafen (DE); **Rainer Link**, Ludwigshafen (DE); **Chris Efstathios Housmekerides**, Ludwigshafen (DE); **Markus Schilling**, Ludwigshafen (DE)

(73) Assignee: **Reckitt Benckiser N.V.**, Hoofddorp (NL)

(\*\*) Term: **14 Years**

(21) Appl. No.: **29/227,843**

(22) Filed: **Apr. 15, 2005**

(30) **Foreign Application Priority Data**

Oct. 29, 2004 (EM) ..... 000246996

(51) **LOC (8) Cl.** ..... **15-05**

(52) **U.S. Cl.** ..... **D32/3**

(58) **Field of Classification Search** ..... D32/1, D32/2, 3; 211/41.9; 220/487, 488, 555; 222/153.01, 222/153; 134/58 D

See application file for complete search history.

(56) **References Cited**

**U.S. PATENT DOCUMENTS**

D352,578 S \* 11/1994 Mooney et al. .... D32/3

5,603,431 A \* 2/1997 Tuller ..... 222/63  
D481,178 S \* 10/2003 Wendt et al. .... D32/3  
D487,601 S \* 3/2004 Gibis et al. .... D32/3  
D490,945 S \* 6/2004 Gomez et al. .... D32/3

\* cited by examiner

*Primary Examiner*—Louis S. Zarfes

*Assistant Examiner*—Kathleen Sims

(74) *Attorney, Agent, or Firm*—Norris McLaughlin & Marcus, P.A.

(57) **CLAIM**

The ornamental design for a dishwasher cage, as shown and described.

**DESCRIPTION**

FIG. 1 is an elevated, rear perspective view of a first embodiment of a dishwasher cage;

FIG. 2 is a plan view of a front face thereof;

FIG. 3 is a plan view of a side thereof;

FIG. 4 is a plan view of the bottom thereof;

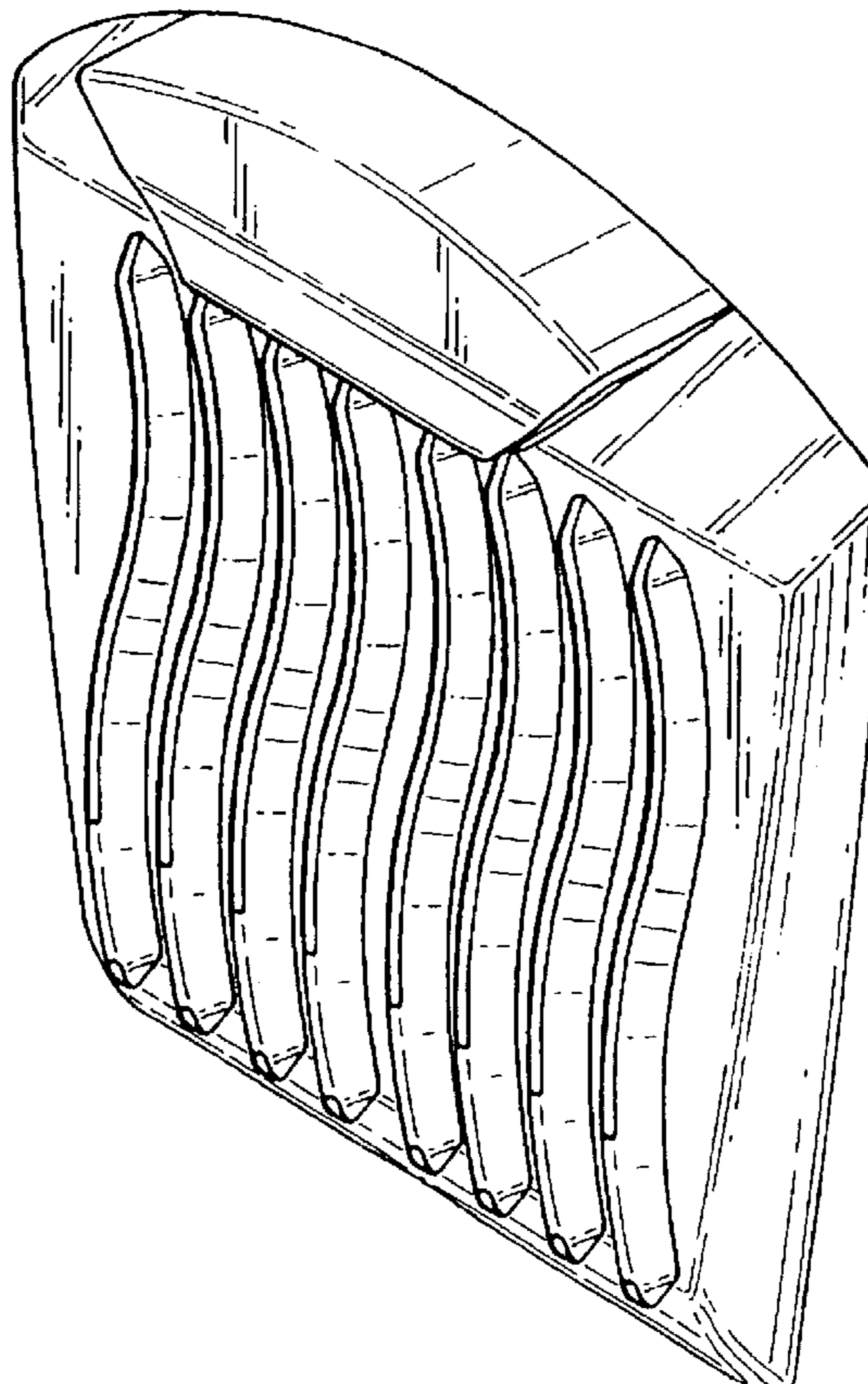
FIG. 5 is an elevated, rear perspective view of another embodiment of a dishwasher cage;

FIG. 6 is a plan view of a front face thereof;

FIG. 7 is a plan view of a side thereof; and,

FIG. 8 is a plan view of the bottom thereof.

**1 Claim, 4 Drawing Sheets**



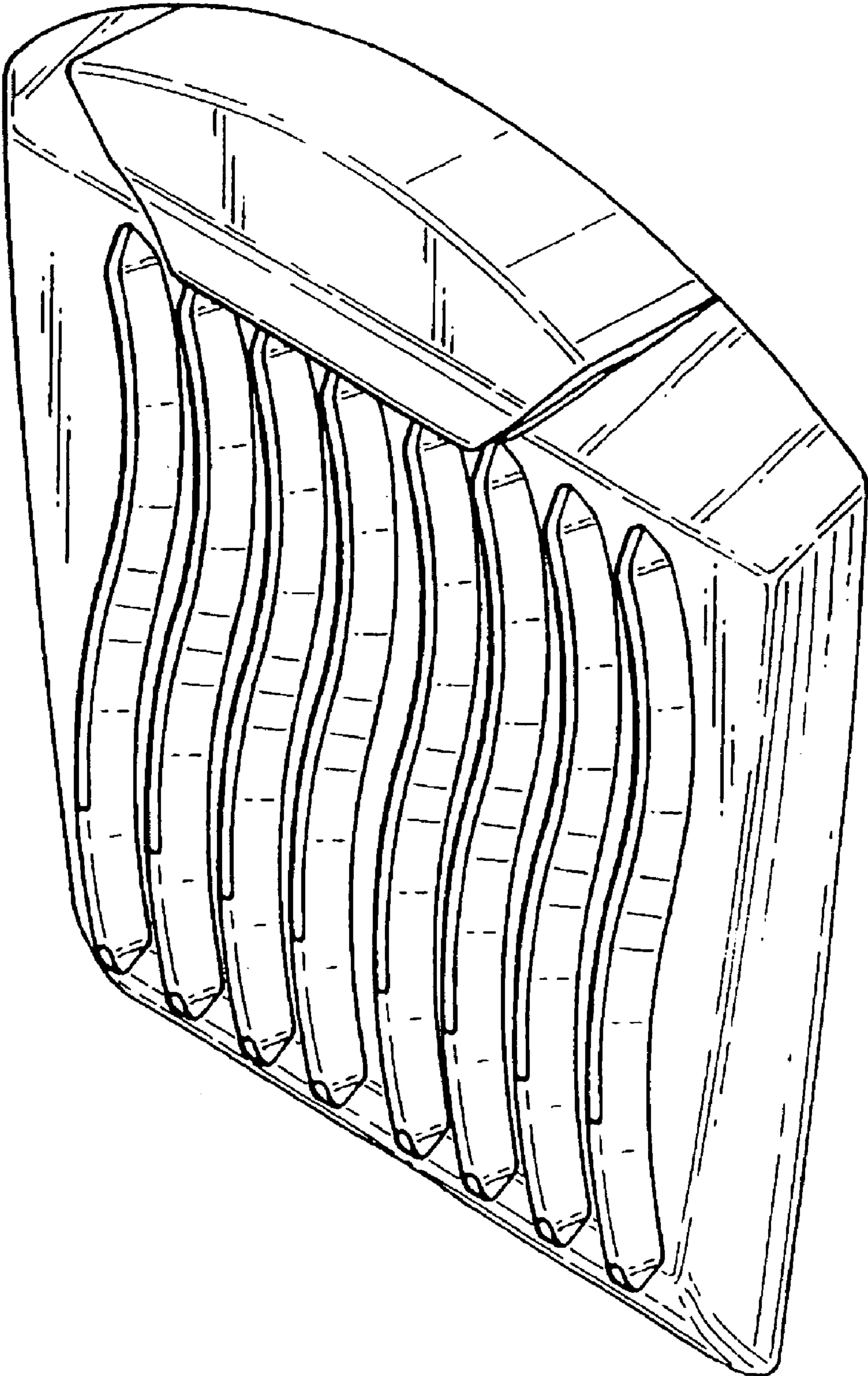


Fig. 1

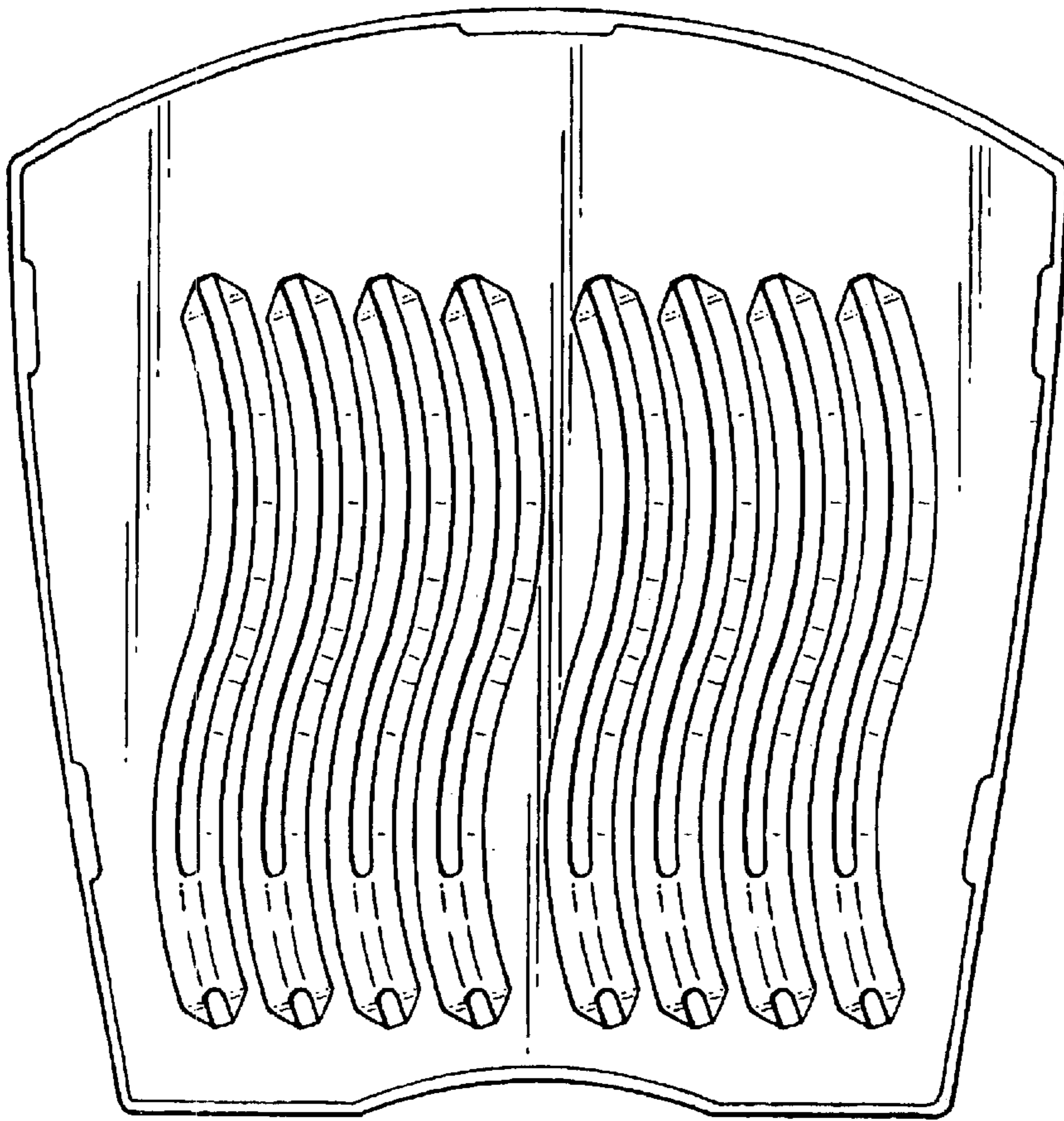


Fig. 2

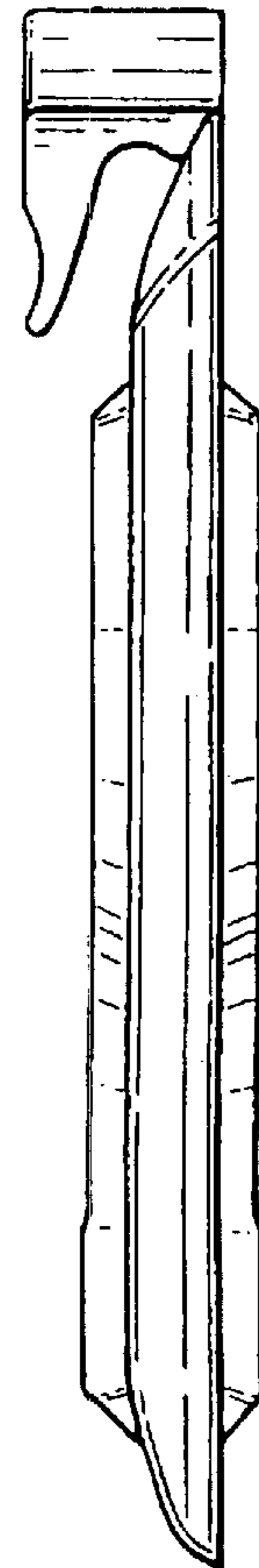


Fig. 3

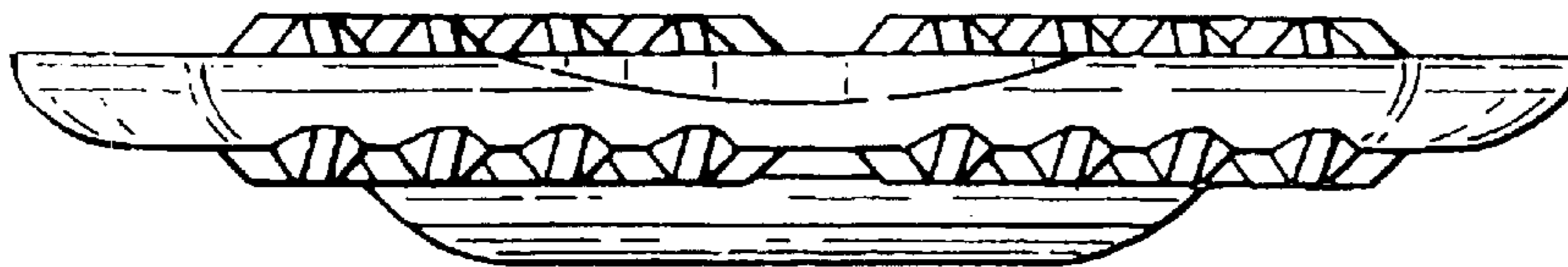


Fig. 4

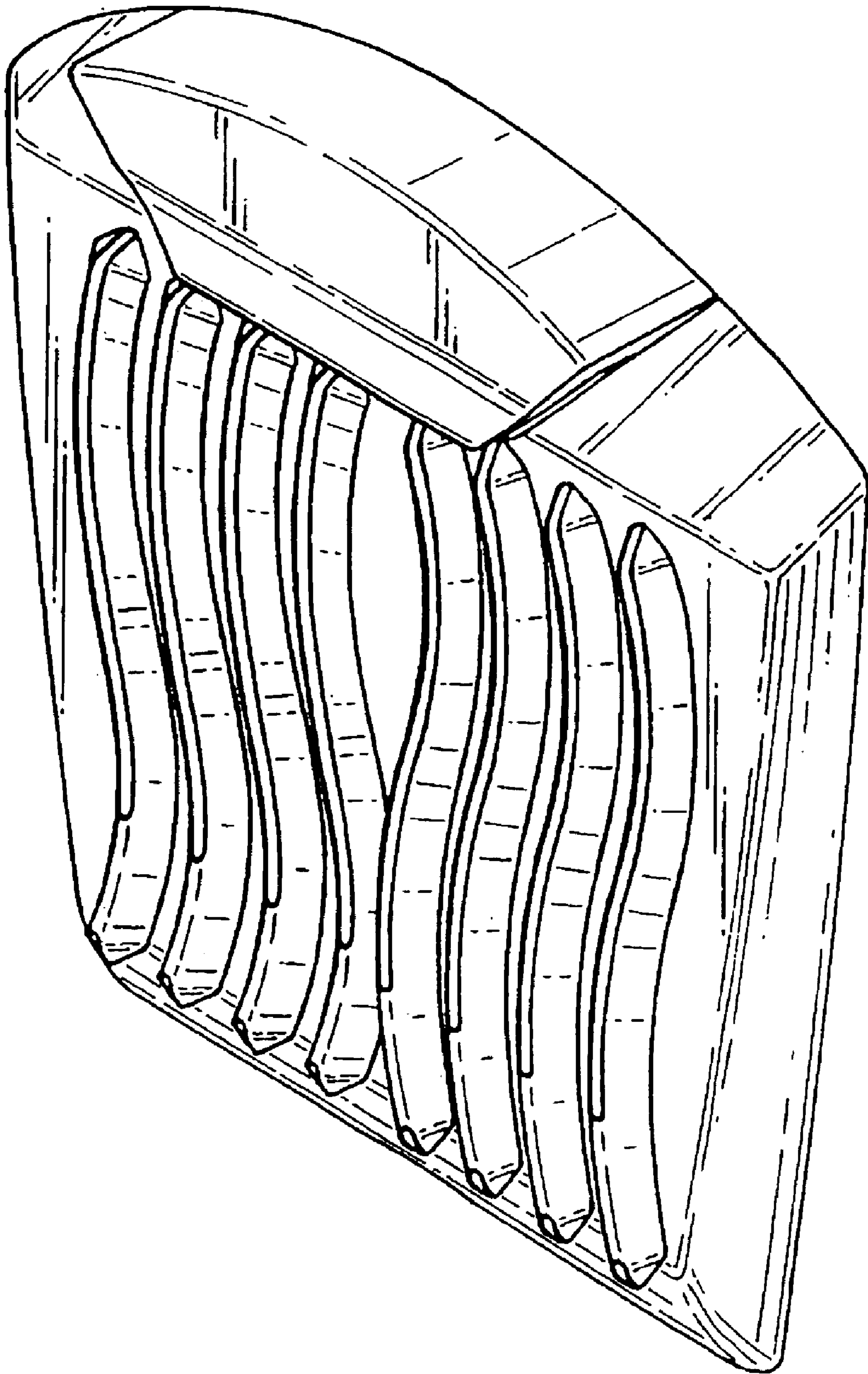


Fig. 5

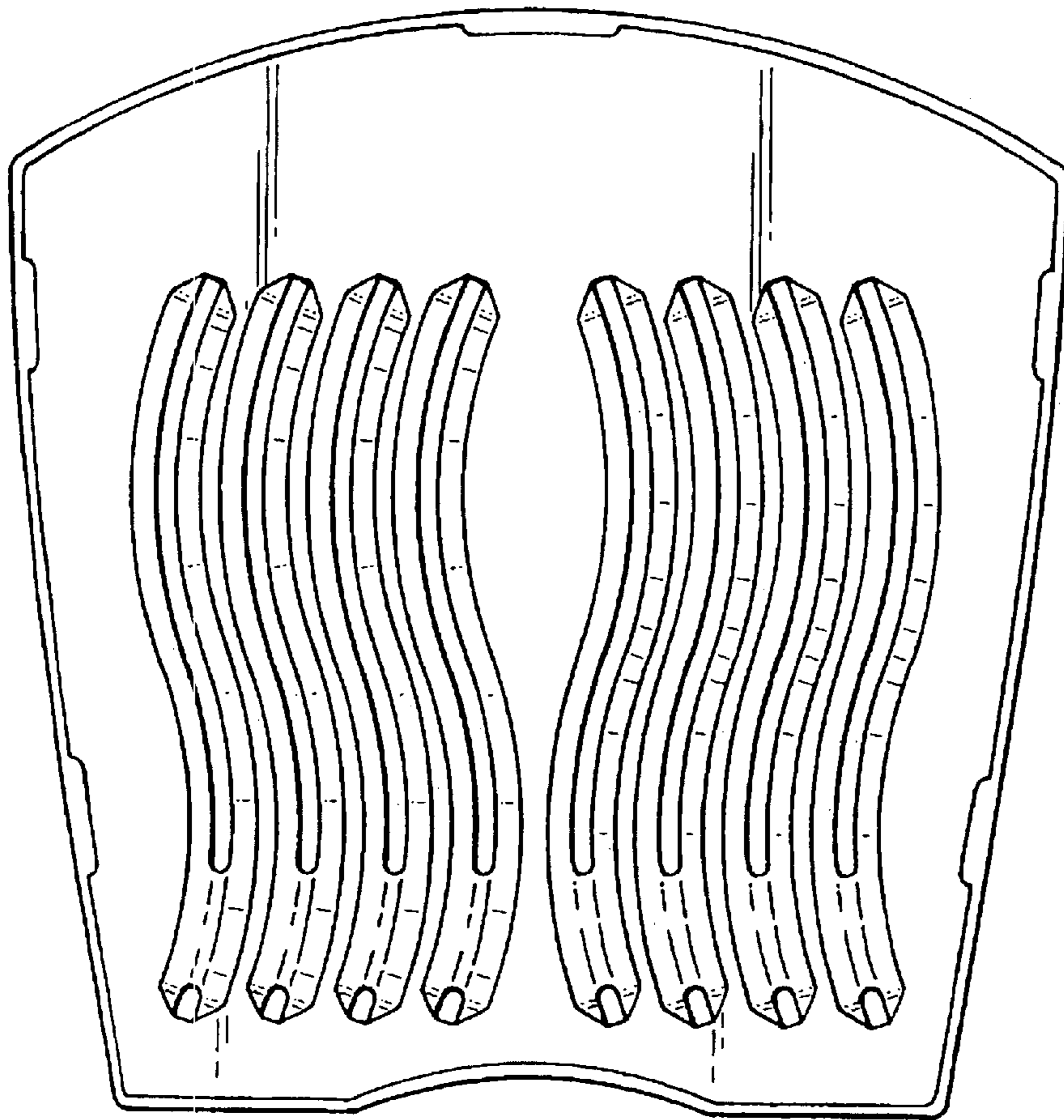


Fig. 6

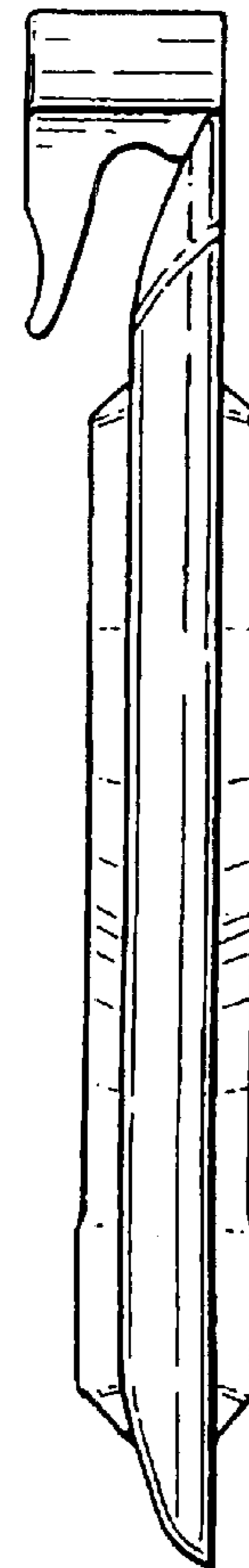


Fig. 7

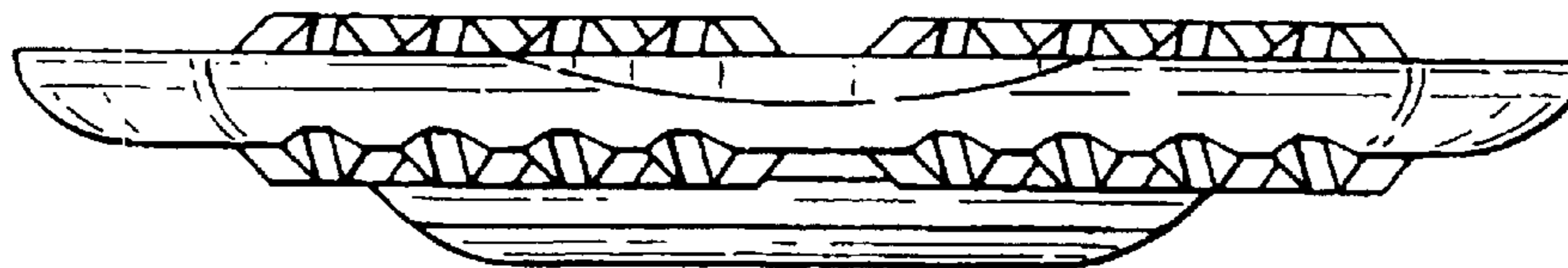


Fig. 8