



US00D531763S

(12) **United States Design Patent**
Waldeck

(10) **Patent No.:** **US D531,763 S**

(45) **Date of Patent:** **** Nov. 7, 2006**

(54) **FISH TANK**

D332,508 S 1/1993 Kammerdiener, Jr.
D350,626 S 9/1994 Ross
D396,825 S * 8/1998 Hsieh D11/158
5,927,524 A * 7/1999 Miller 215/11.6

(76) Inventor: **Catherine Waldeck**, 327 Fairhaven
Blvd., Woodbury, NY (US) 11797

(**) Term: **14 Years**

* cited by examiner

(21) Appl. No.: **29/226,643**

Primary Examiner—Louis S. Zarfes

Assistant Examiner—Anhdao Doan

(22) Filed: **Mar. 31, 2005**

(74) *Attorney, Agent, or Firm*—Thomas A. O'Rourke;
Bodner & O'Rourke, LLP

(51) **LOC (8) Cl.** **30-02**

(52) **U.S. Cl.** **D30/102**

(58) **Field of Classification Search** D30/101–108,
D30/115; D24/130, 197; D9/445, 522; D11/145;
119/245–258, 265, 266, 269; 215/11.1–11.6,
215/11.8

(57) **CLAIM**

The ornamental design for a fish tank, as shown and described.

See application file for complete search history.

DESCRIPTION

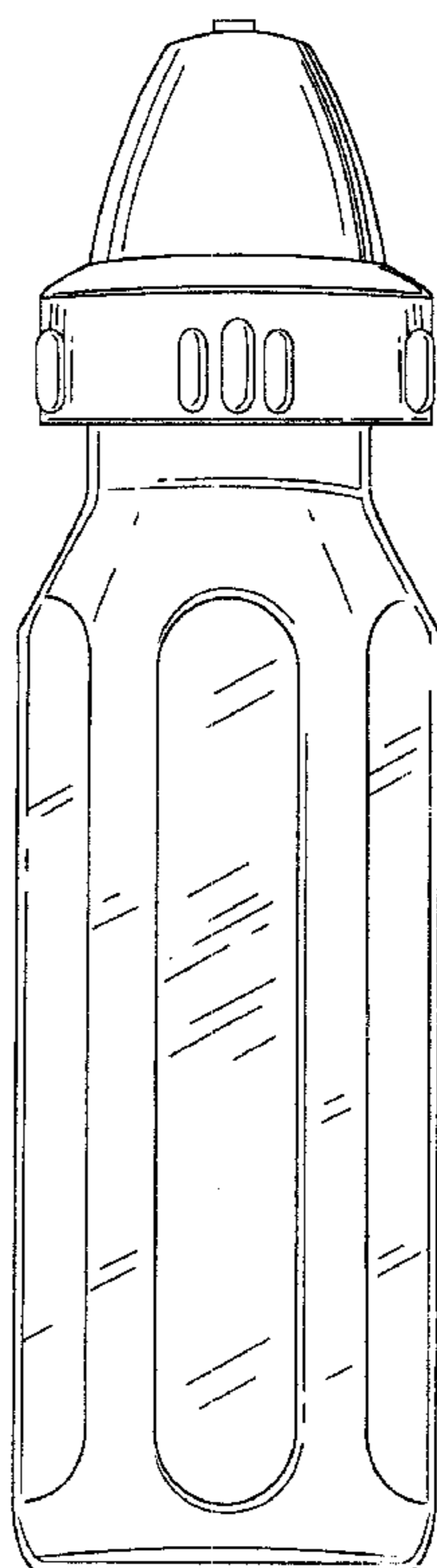
(56) **References Cited**

U.S. PATENT DOCUMENTS

D93,033 S 6/1934 Miller
2,959,314 A * 11/1960 Sanchez 215/11.1
3,530,979 A * 9/1970 Jarman et al. 215/11.6
3,746,198 A * 7/1973 Howland 215/11.1
D235,812 S * 7/1975 Barr D24/197
D244,437 S * 5/1977 Whorton D11/145
D250,969 S * 1/1979 Hackenberg D30/104
D285,841 S 9/1986 Tigert
D285,844 S 9/1986 Tigert
D285,845 S 9/1986 Tigert
D292,034 S 9/1987 Perkinson
D304,247 S * 10/1989 Ross et al. D30/102

FIG. 1 is a front view of a fish tank showing my new design;
FIG. 2 is a side view thereof;
FIG. 3 is a top view thereof;
FIG. 4 is a bottom view thereof;
FIG. 5 is a front view thereof with the cap removed and the
air seal inverted;
FIG. 6 is a top view of FIG. 5;
FIG. 7 is a front view thereof with the cap and air seal
removed;
FIG. 8 is a top view of FIG. 7;
FIG. 9 is a front view of a fish tank with the cap removed.
FIG. 10 is a top view of FIG. 9; and,
FIG. 11 is a front view thereof with the cap, air, seal and
collar removed.

1 Claim, 6 Drawing Sheets



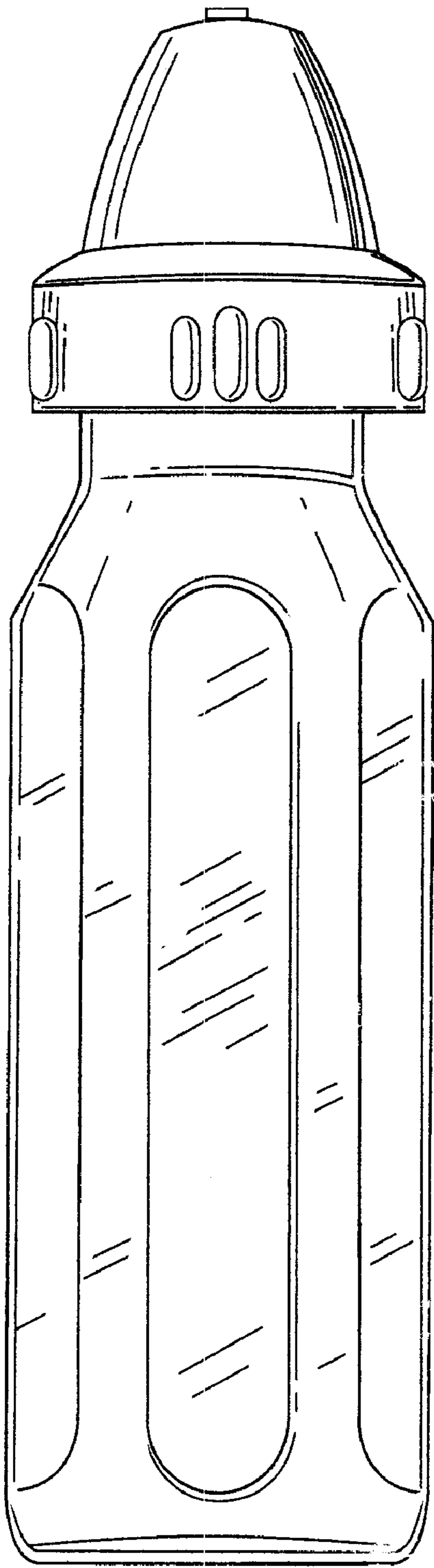


FIG. 1

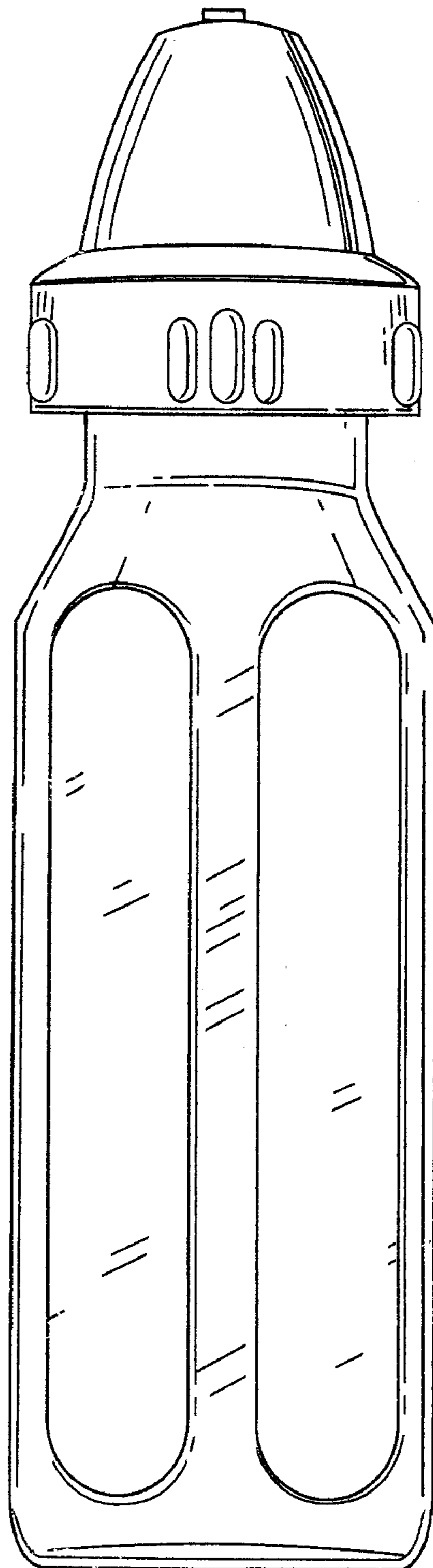


FIG. 2

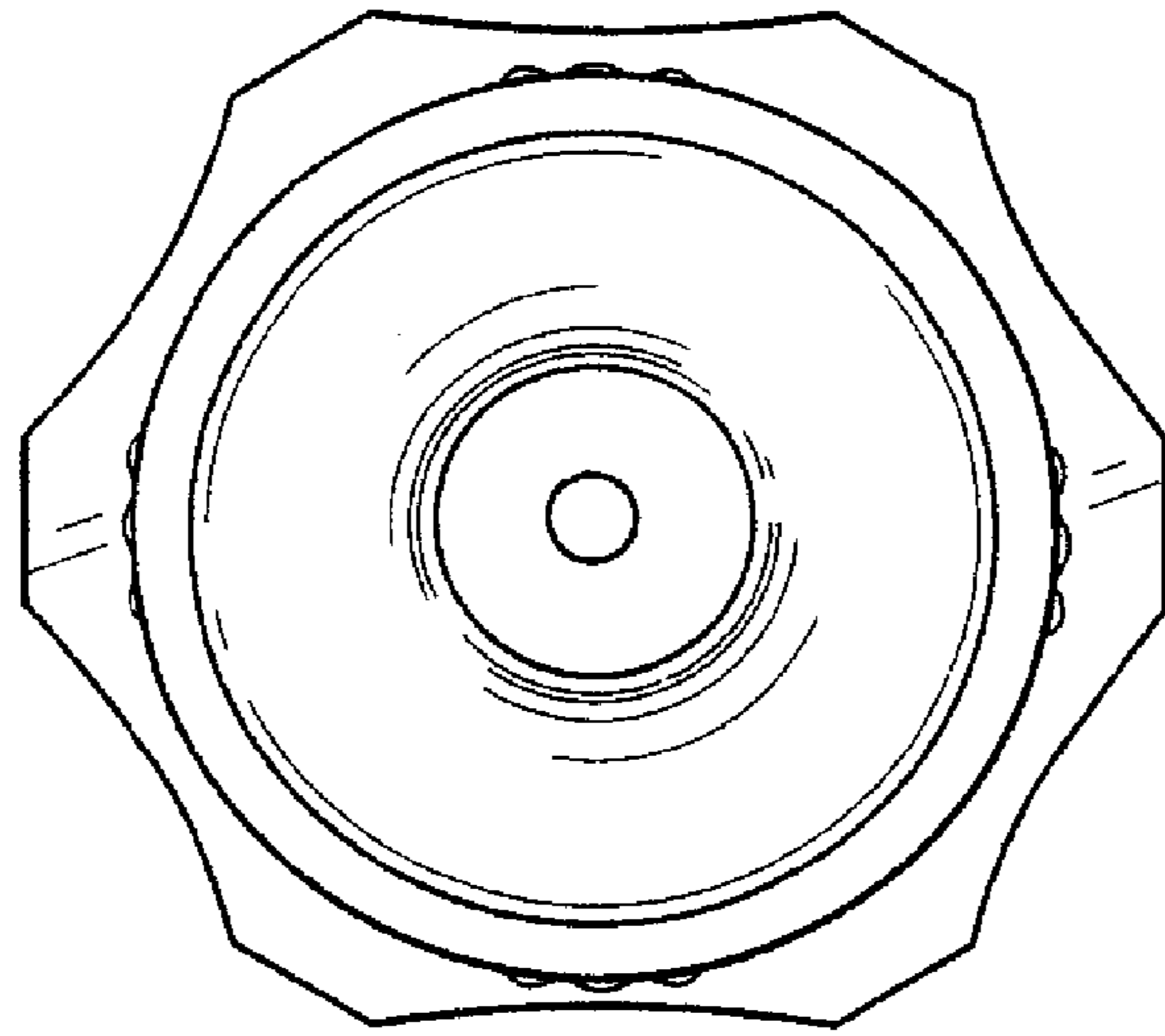


FIG. 3

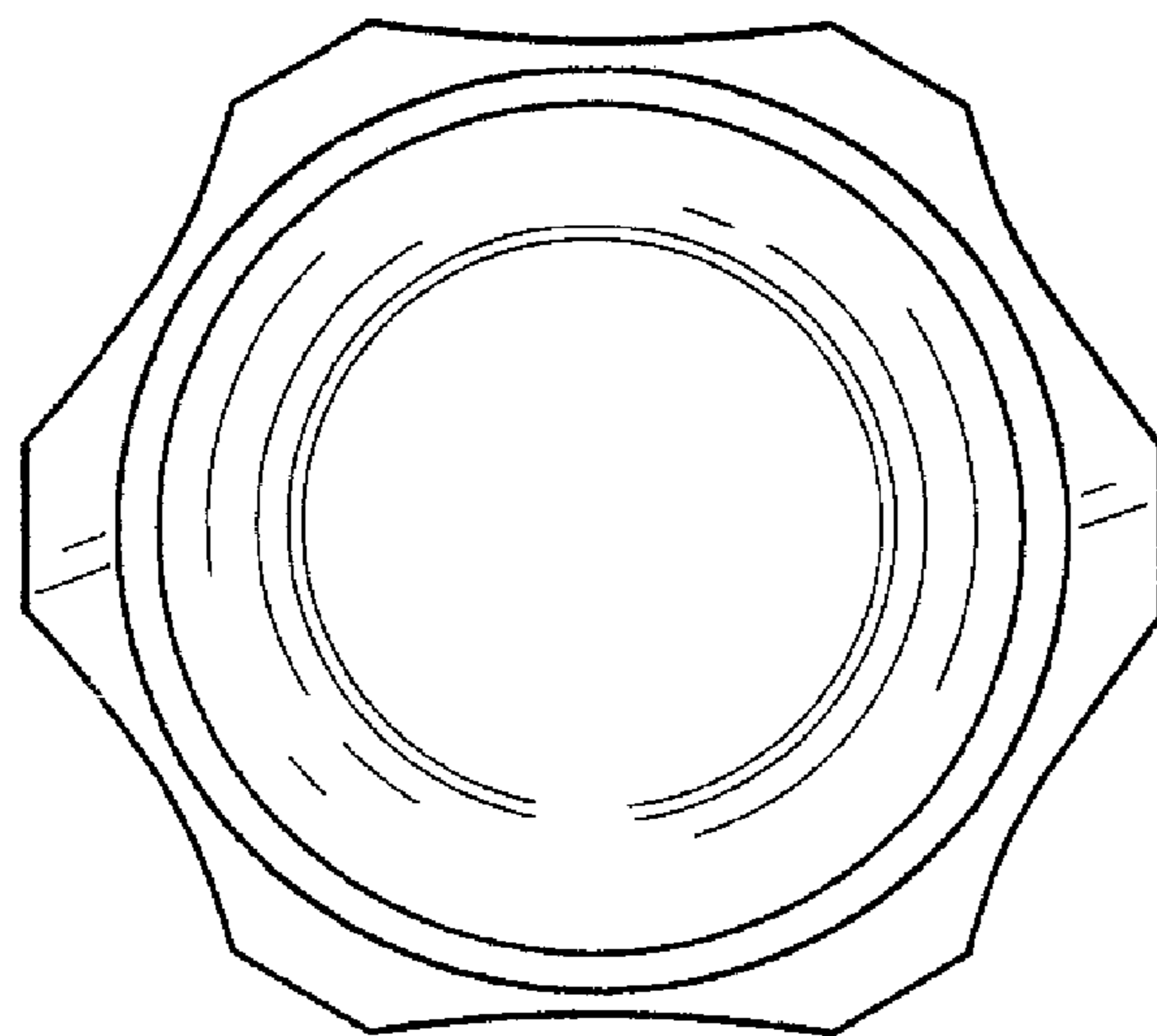


FIG. 4

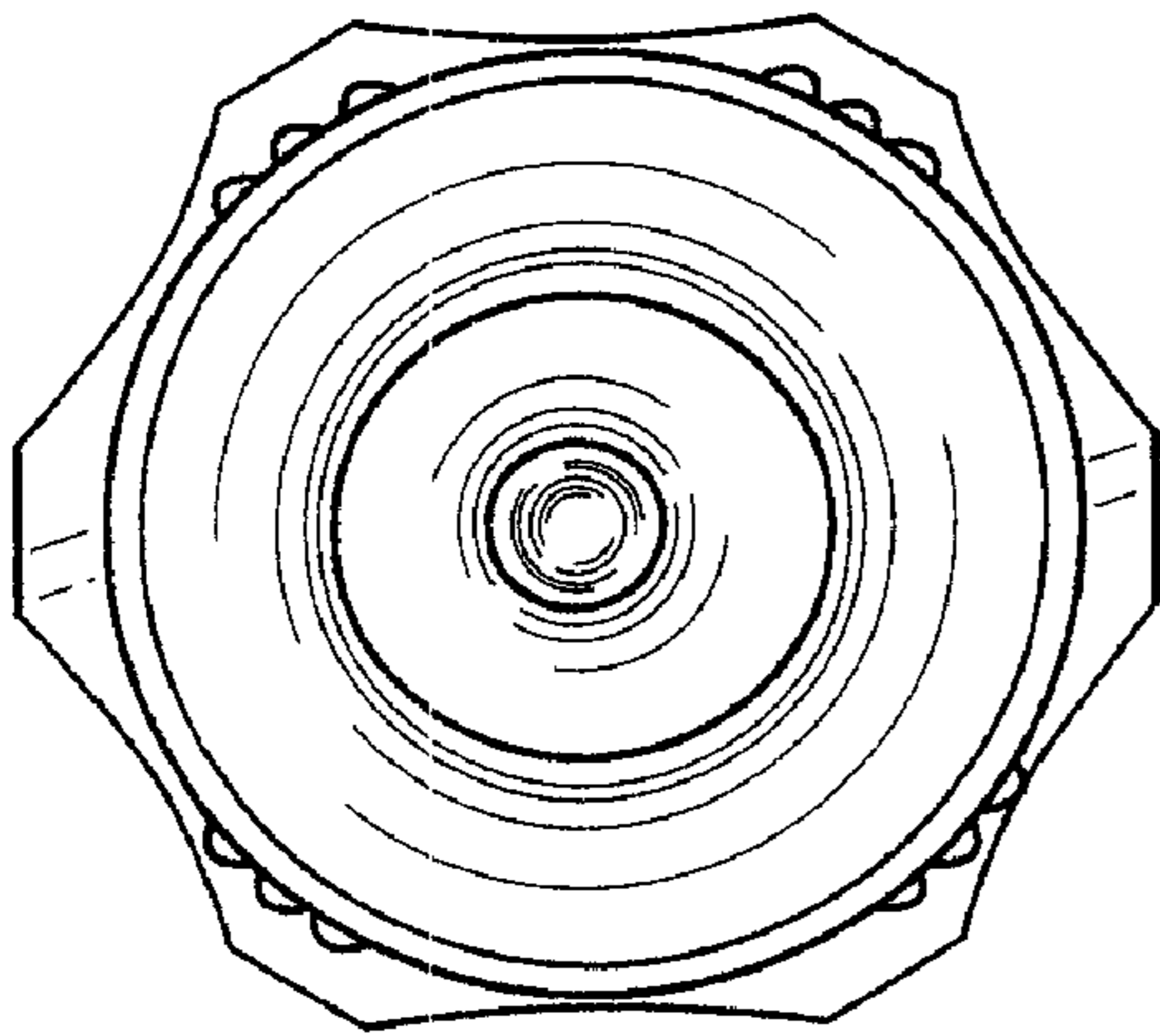


FIG. 6

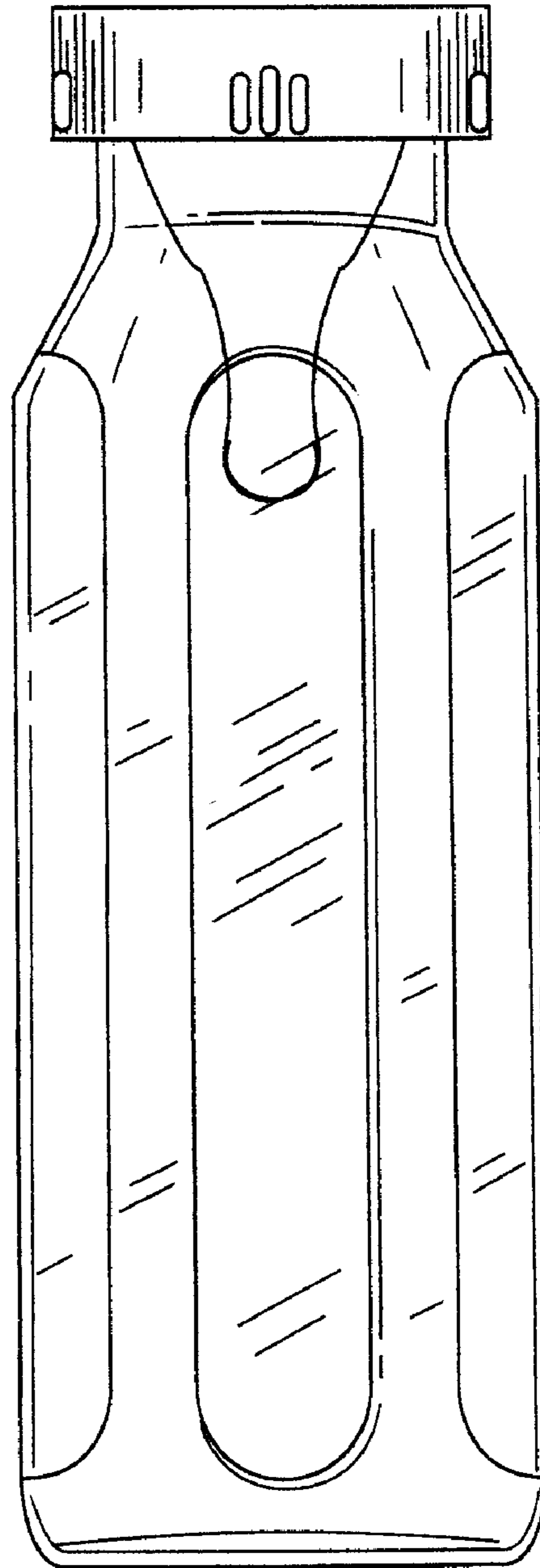


FIG. 5

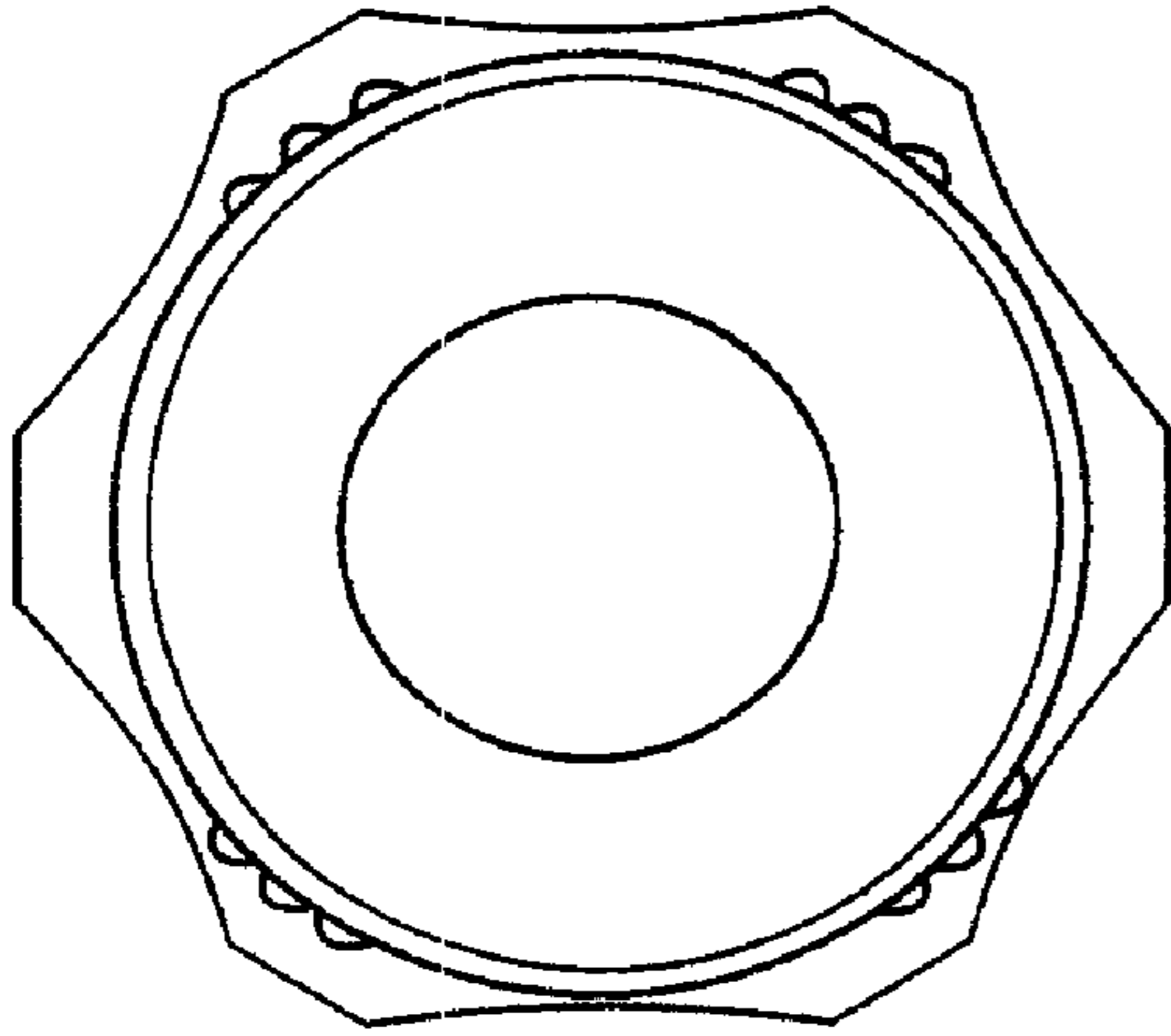


FIG. 8

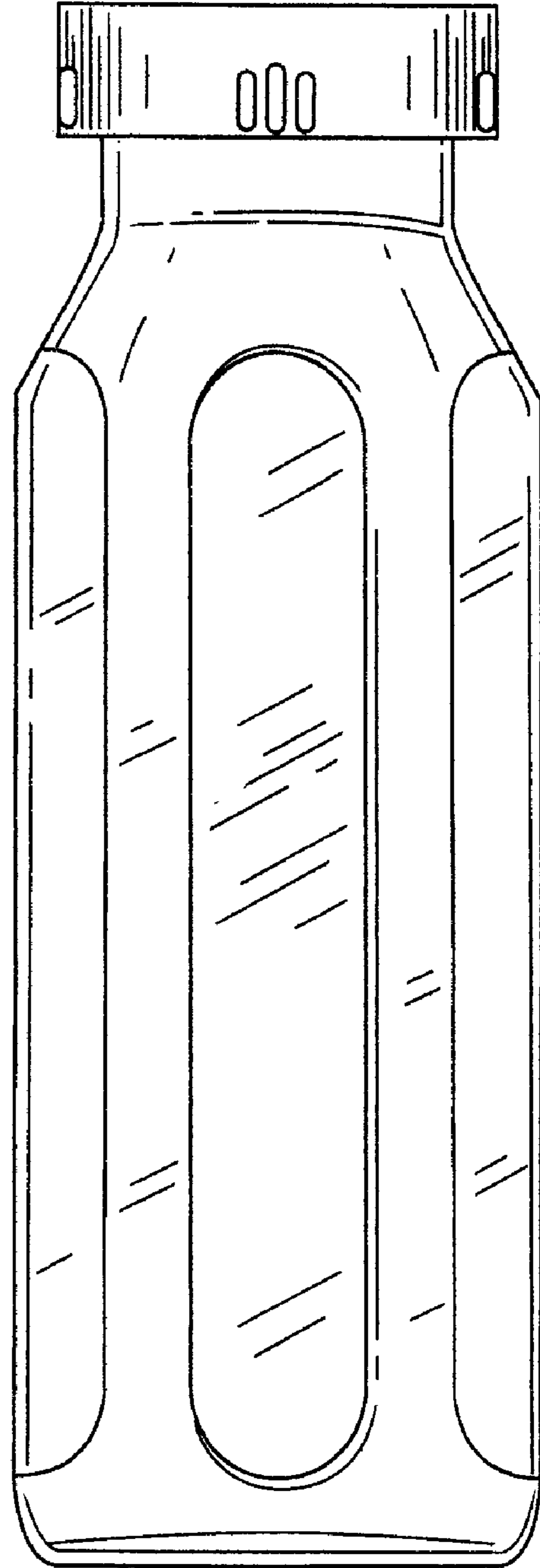


FIG. 7

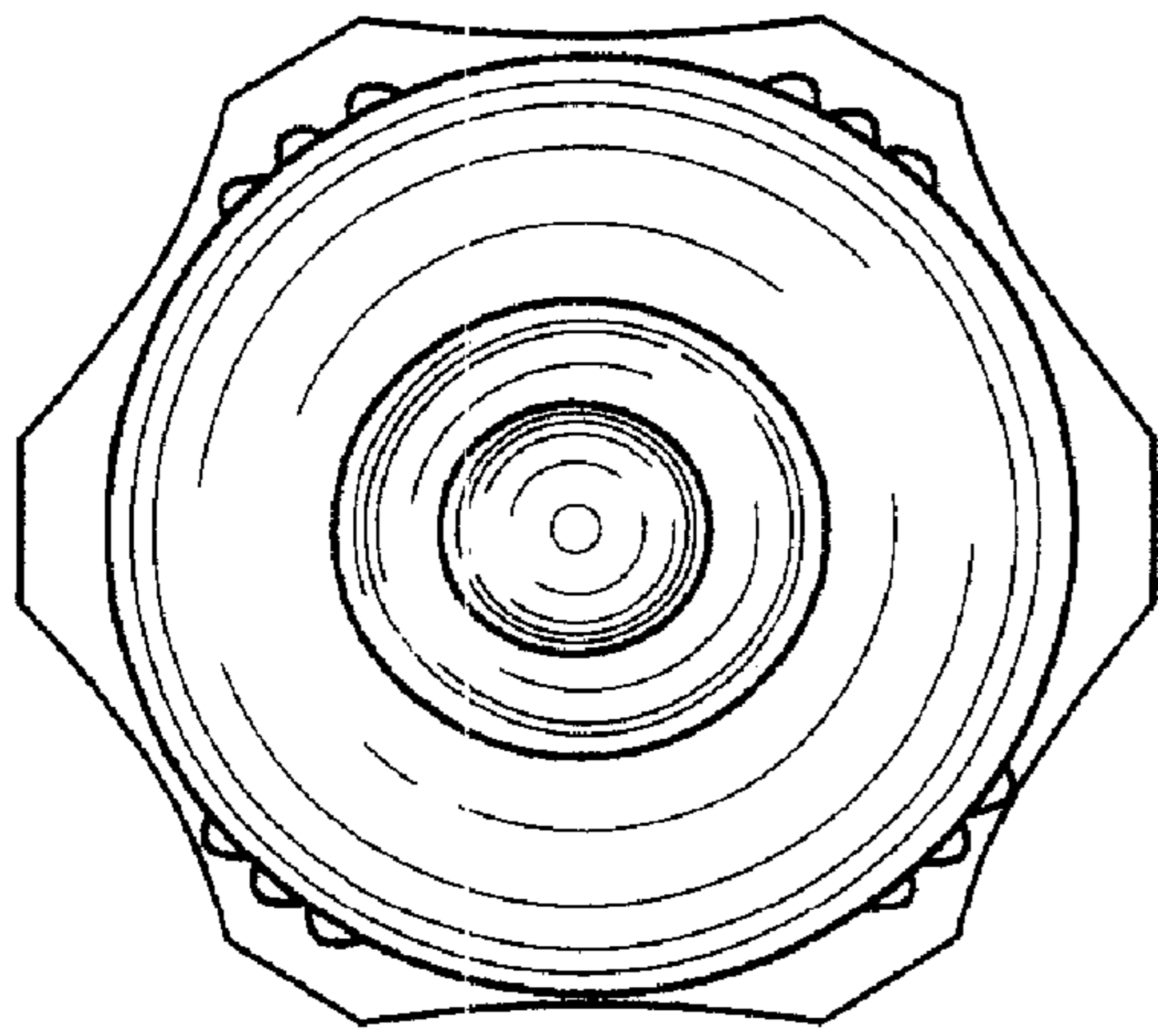


FIG. 10

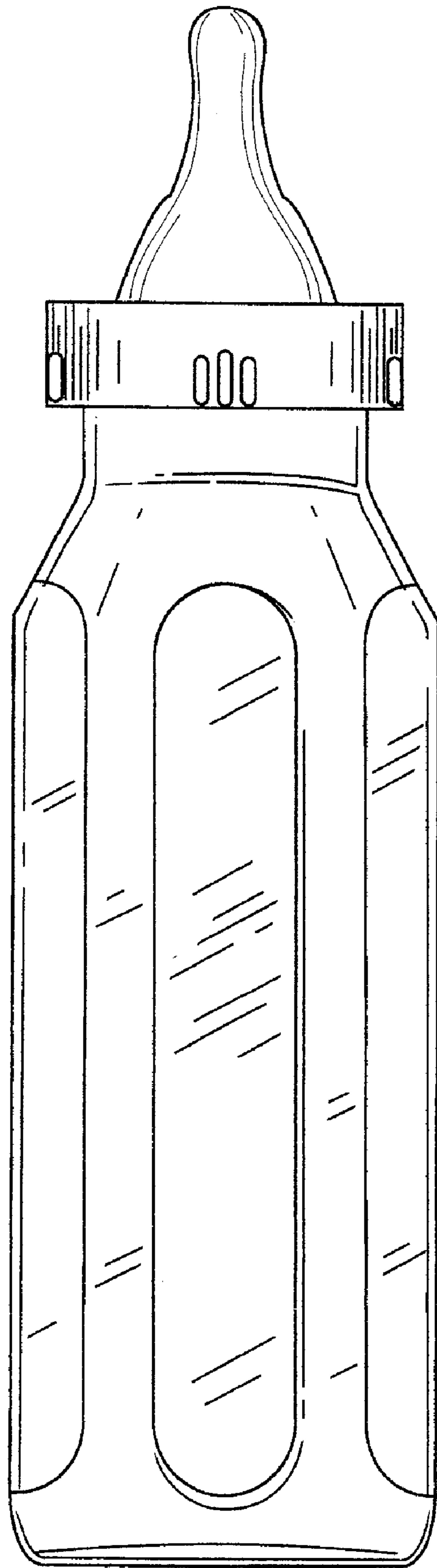


FIG. 9

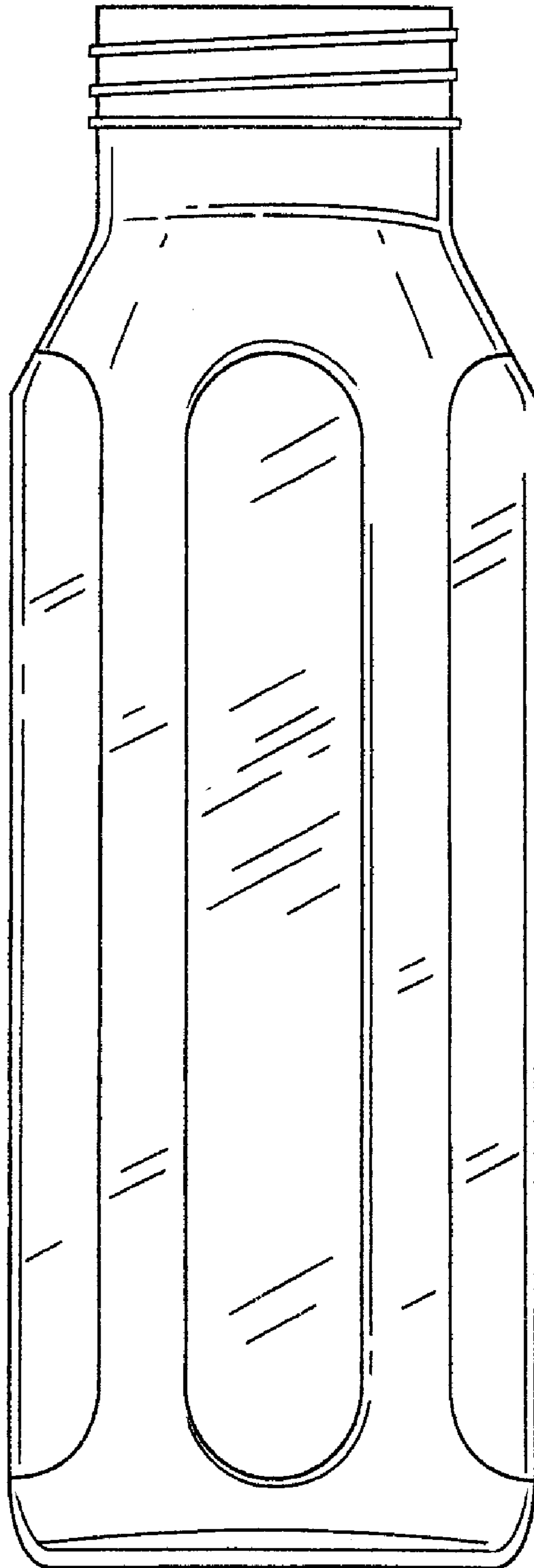


FIG. 11