



US00D531760S

(12) **United States Design Patent**
Nobuto et al.

(10) **Patent No.: US D531,760 S**

(45) **Date of Patent: ** Nov. 7, 2006**

(54) **EYE SHADOW COMPACT**

D79,831 S * 11/1929 Lyddane D28/78

(75) Inventors: **Yoji Nobuto**, Tokyo (JP); **Ippei Murata**, Tokyo (JP)

* cited by examiner

Primary Examiner—Jennifer Rivard

(73) Assignee: **Shiseido Co., Ltd**, Tokyo (JP)

(74) *Attorney, Agent, or Firm*—Manabu Kanesaka

(**) Term: **14 Years**

(57) **CLAIM**

The ornamental design for an eye shadow compact, as shown and described.

(21) Appl. No.: **29/233,210**

(22) Filed: **Jun. 30, 2005**

DESCRIPTION

(51) **LOC (8) Cl.** **28-03**

FIG. 1 is a perspective view of an eye shadow compact showing our new design;

(52) **U.S. Cl.** **D28/78**

FIG. 2 is a front view thereof;

(58) **Field of Classification Search** D28/76–83;
132/293–307, 315; 206/581, 823

FIG. 3 is a rear view thereof;

See application file for complete search history.

FIG. 4 is a right side view thereof, a left side view being symmetrical to the right side view;

(56) **References Cited**

FIG. 5 is a plan view thereof;

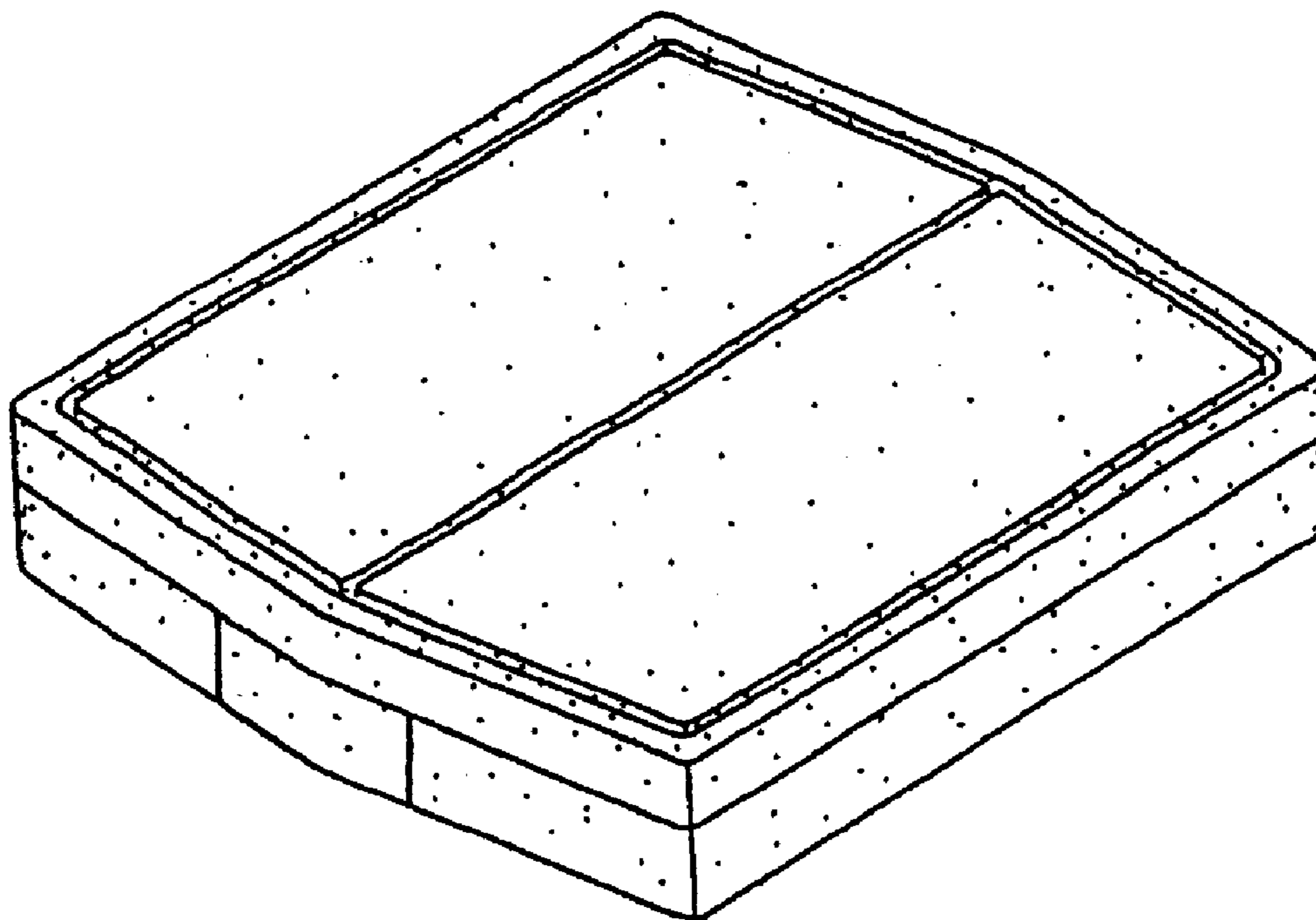
U.S. PATENT DOCUMENTS

FIG. 6 is a bottom view thereof; and,

D75,281 S * 5/1928 Noble D28/78

FIG. 7 is a plan view with the lid cover opened.

1 Claim, 2 Drawing Sheets



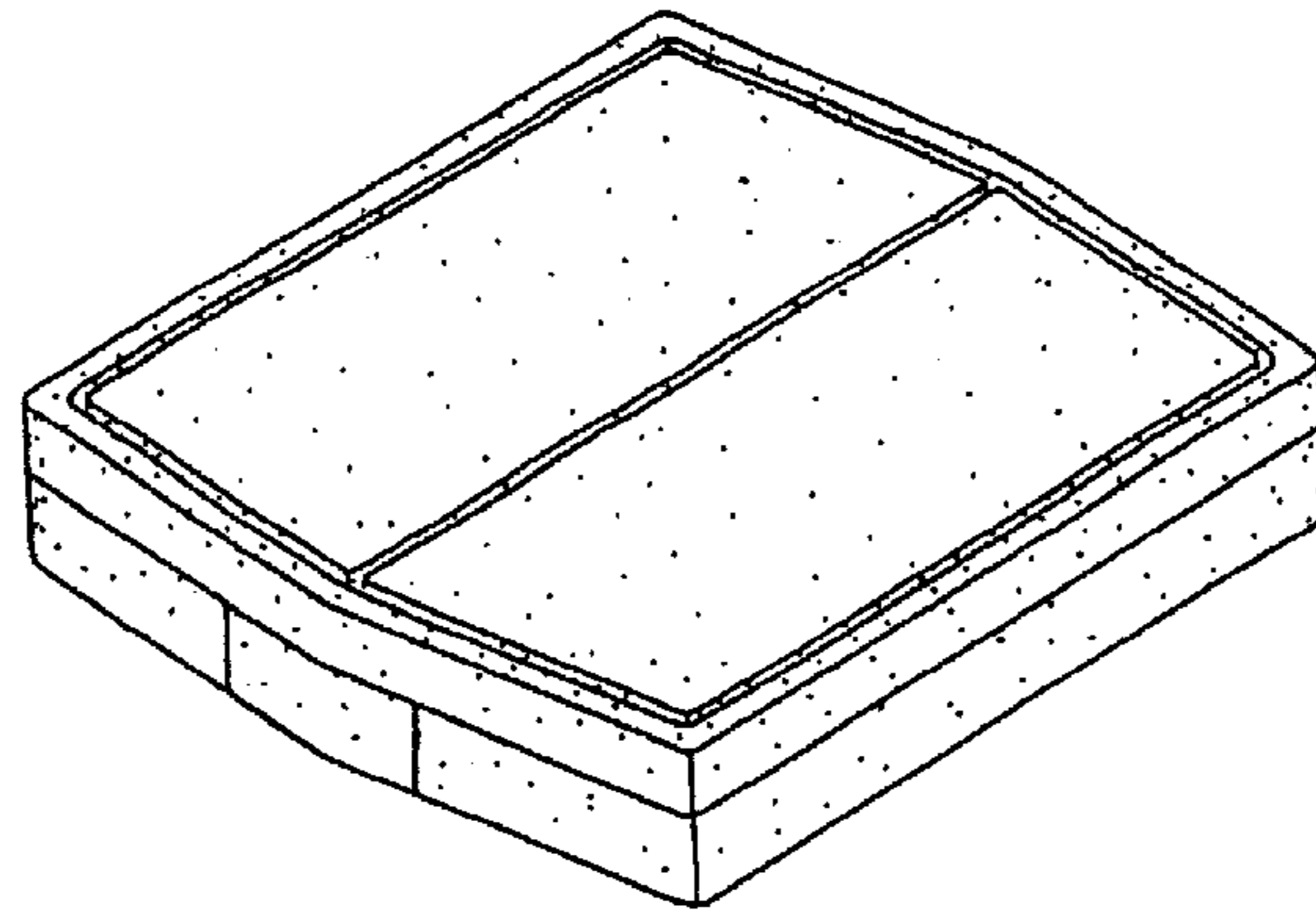


Fig. 1

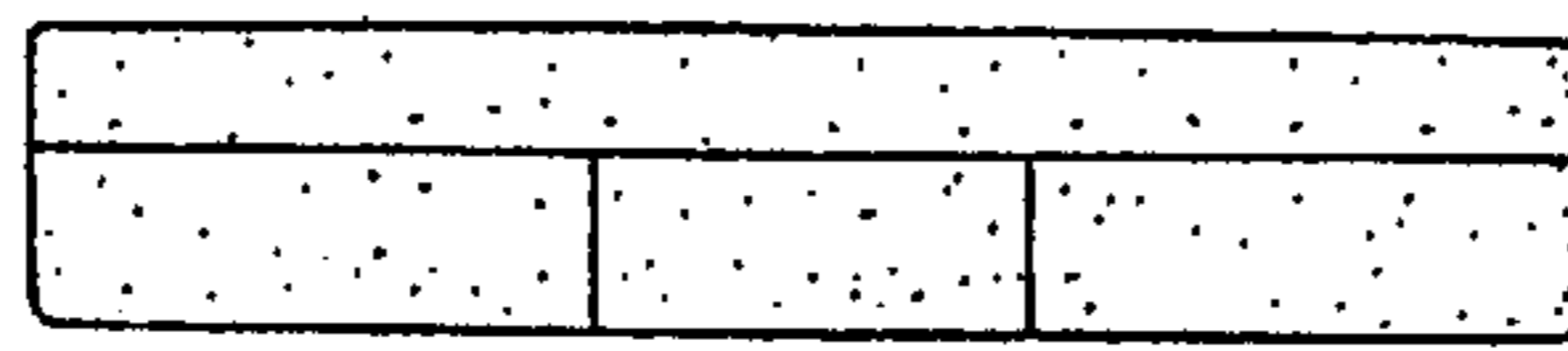


Fig. 2

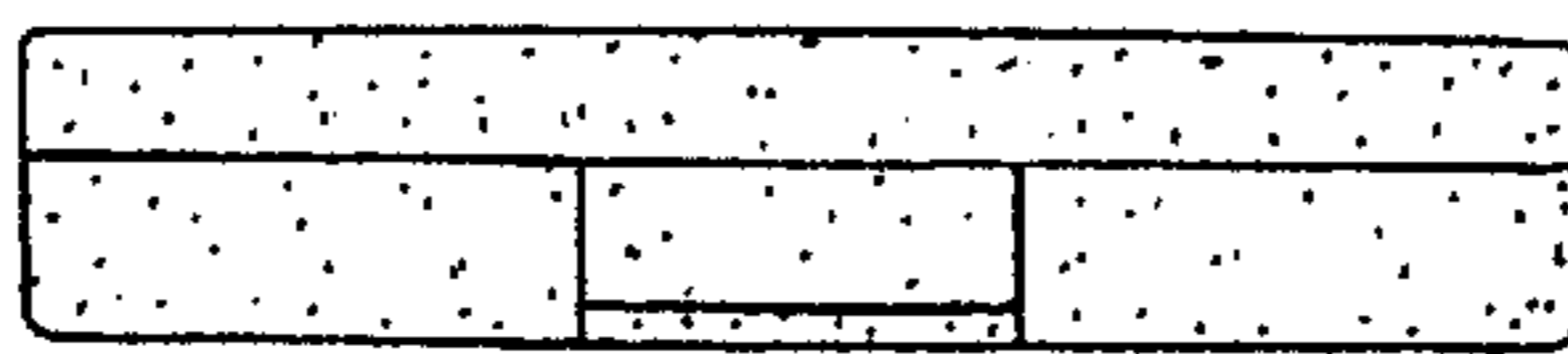


Fig. 3

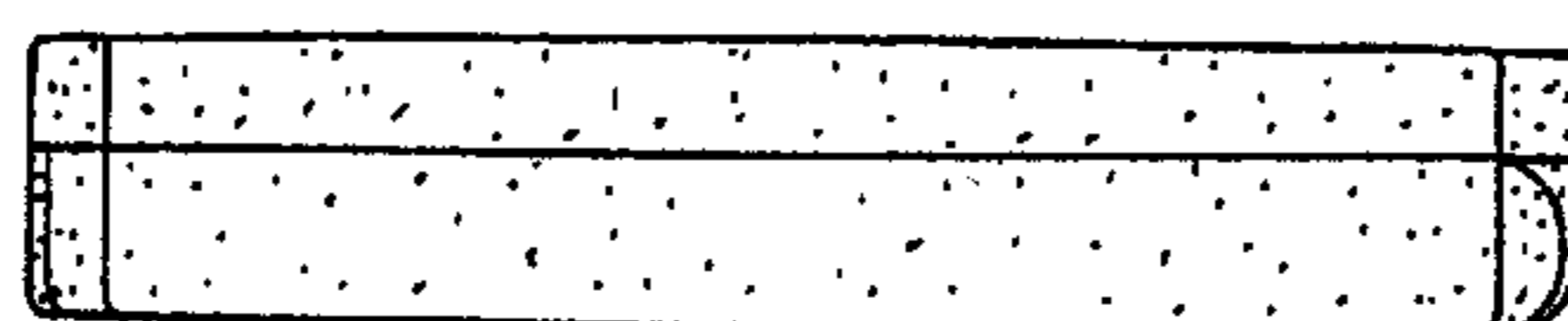


Fig. 4

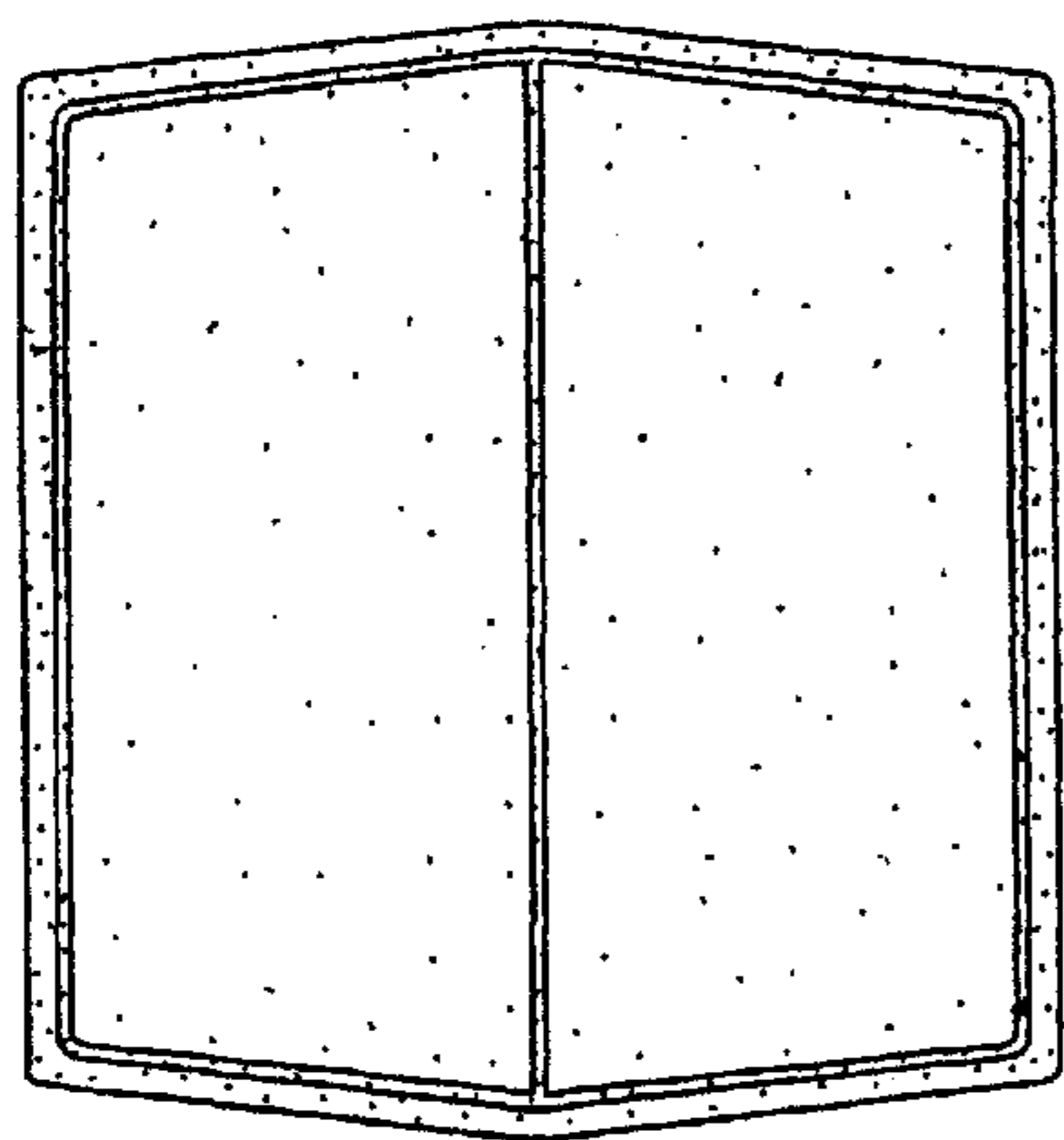


Fig. 5

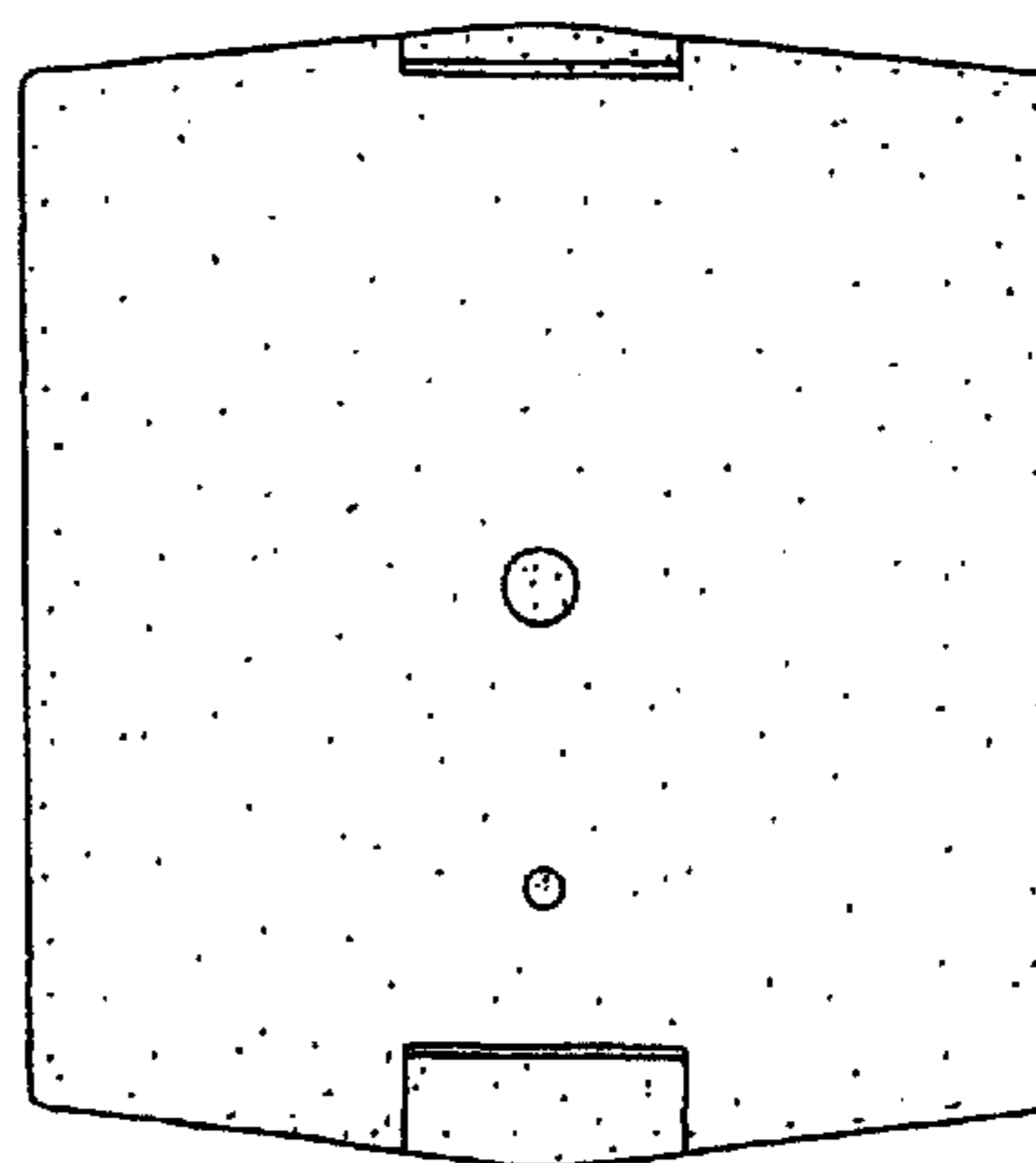


Fig. 6

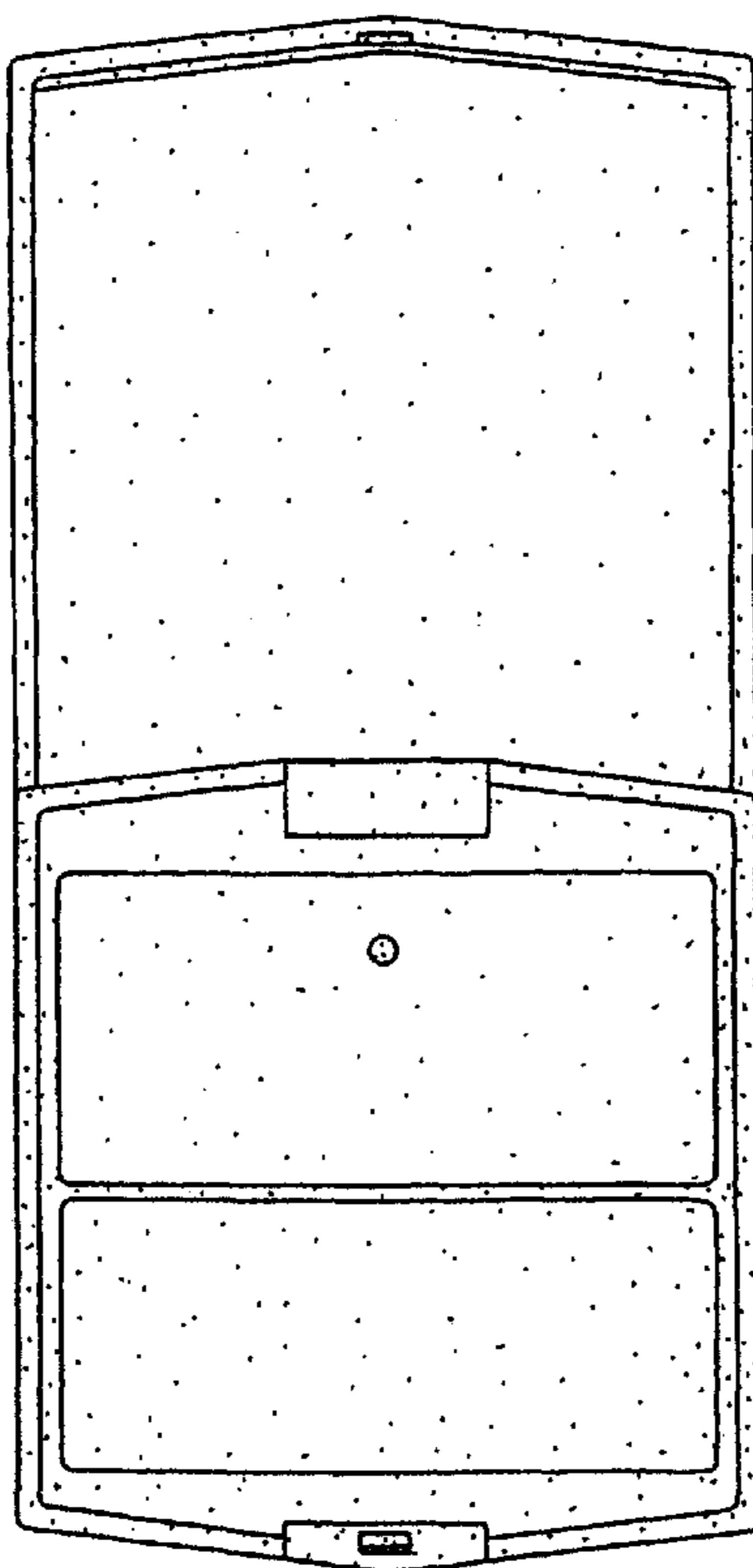


Fig. 7