



US00D531754S

(12) **United States Design Patent**
Lee

(10) **Patent No.:** **US D531,754 S**
(45) **Date of Patent:** **** Nov. 7, 2006**

(54) **EYEBROW SHAVER**
(75) Inventor: **Sun Yong Lee**, Daegu-si (KR)
(73) Assignee: **Dorco Co., Ltd.**, Seoul (KR)
(**) Term: **14 Years**

(21) Appl. No.: **29/225,373**
(22) Filed: **Mar. 16, 2005**
(30) **Foreign Application Priority Data**

Sep. 17, 2004 (KR) 30-2004-0029020

(51) **LOC (8) Cl.** **28-03**
(52) **U.S. Cl.** **D28/45**
(58) **Field of Classification Search** D28/44,
D28/44.1, 45-54; 132/215; 30/30, 32, 34.05,
30/47-55, 229
See application file for complete search history.

(56) **References Cited**
U.S. PATENT DOCUMENTS

4,700,477 A * 10/1987 Heller 30/51

6,164,290 A * 12/2000 Andrews 132/215
D509,026 S * 8/2005 Leventhal et al. D28/53
2005/0262696 A1 * 12/2005 Ouchi et al. 30/50

* cited by examiner

Primary Examiner—Jennifer Rivard
(74) *Attorney, Agent, or Firm*—Bayer, Brown, Rowe & Maw LLP

(57) **CLAIM**

The ornamental design for the eyebrow shaver, as shown and described.

DESCRIPTION

FIG. 1 is a perspective view of the eyebrow shaver according to the invention;
FIG. 2 is a front elevational view thereof;
FIG. 3 is a rear elevational view thereof;
FIG. 4 is a left side elevational view thereof;
FIG. 5 is a right side elevational view thereof;
FIG. 6 is a top plan view thereof; and,
FIG. 7 is a bottom plan view thereof.

1 Claim, 2 Drawing Sheets

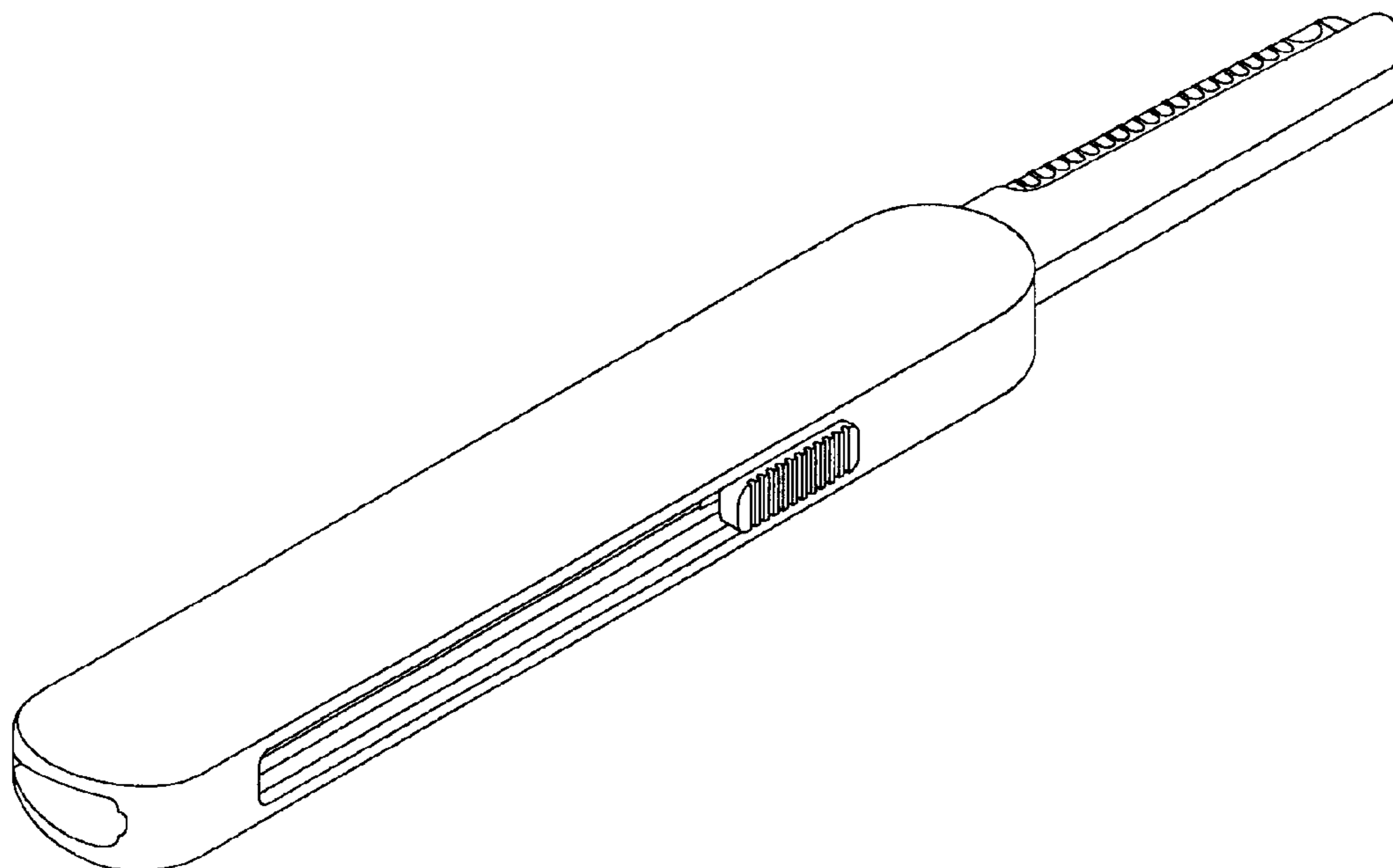


Fig.1

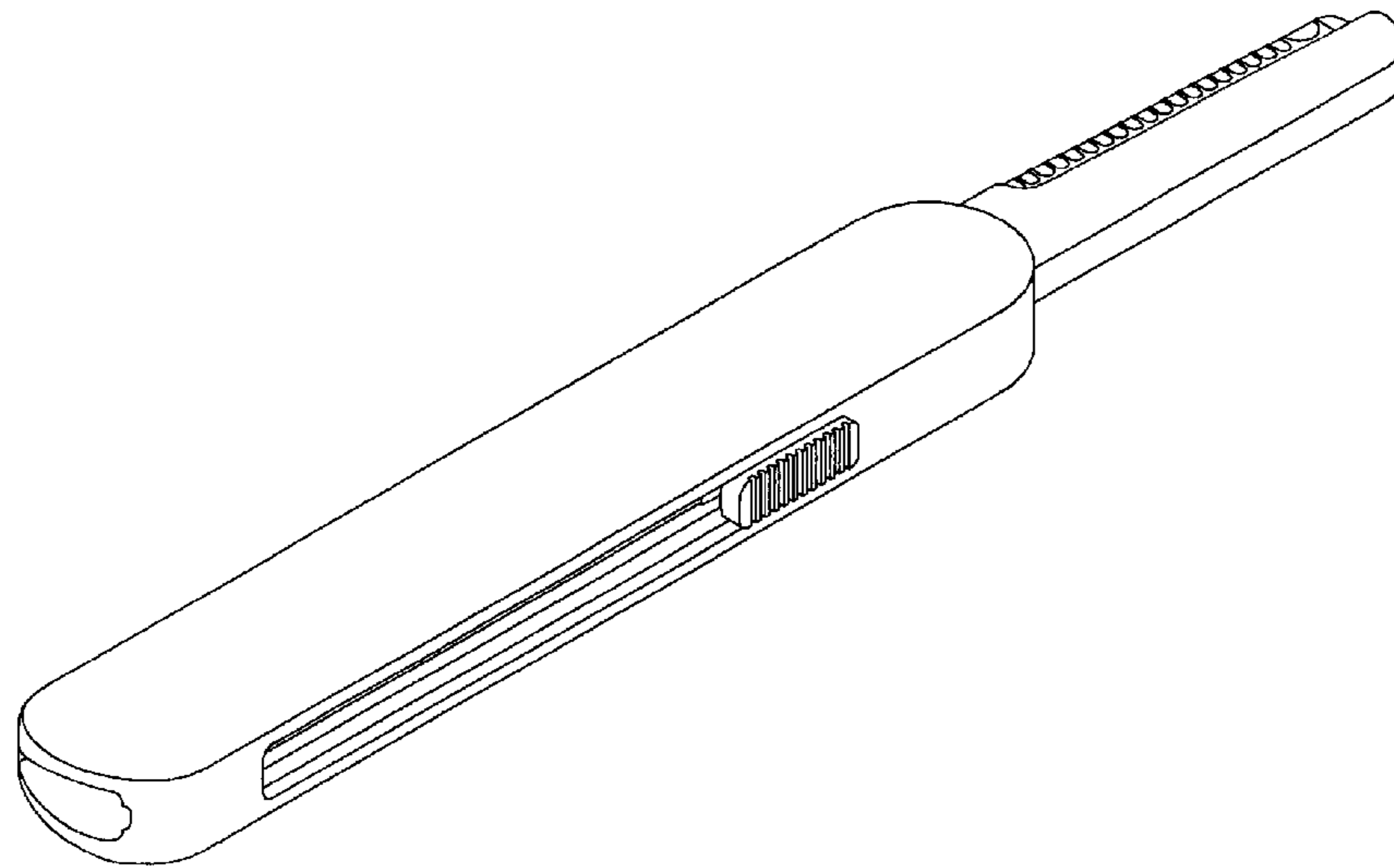


Fig.2

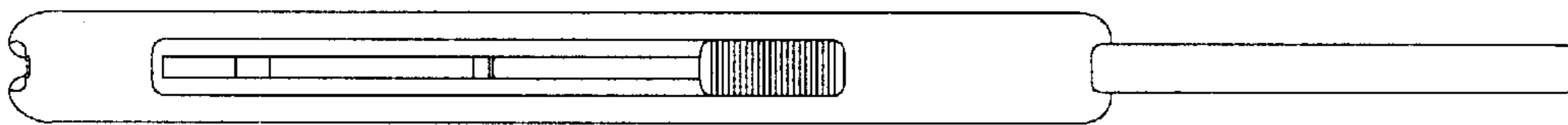


Fig.3

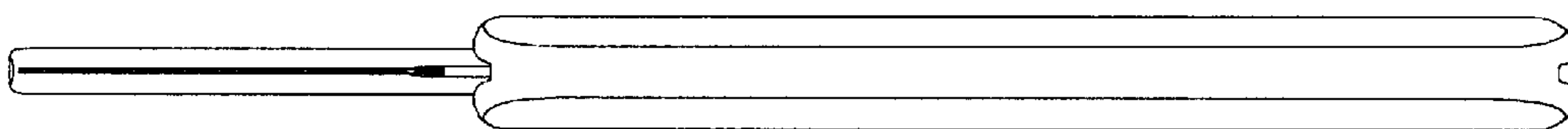


Fig.4

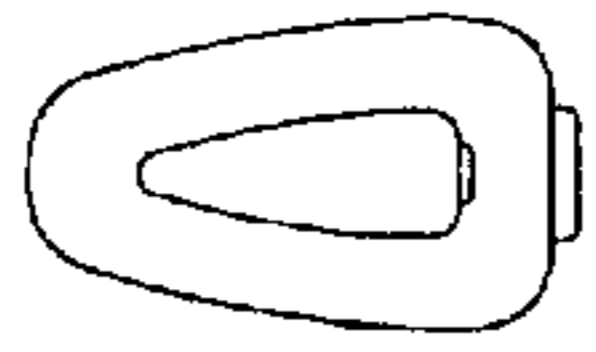


Fig.5

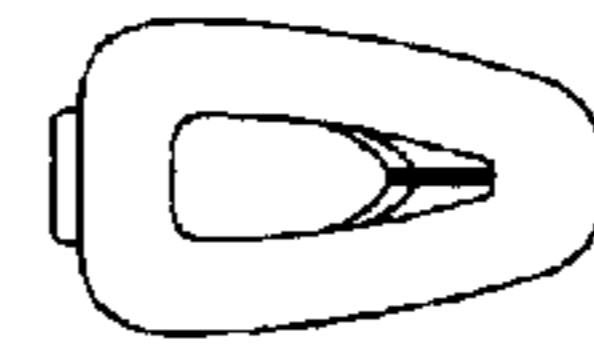


Fig.6

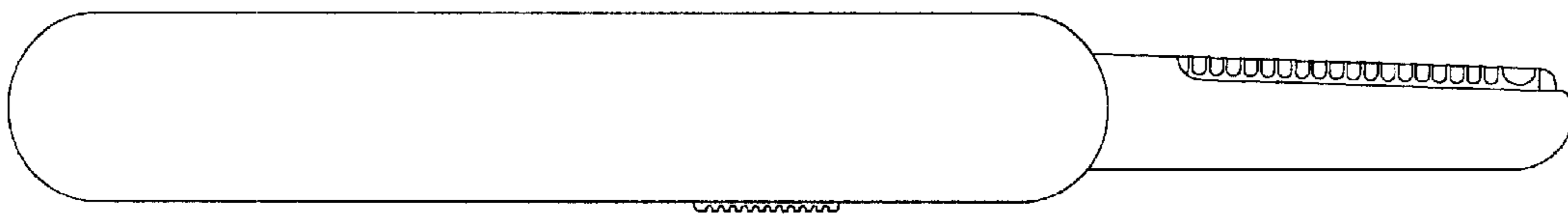


Fig.7

