



US00D531750S

(12) **United States Design Patent**
Lin

(10) **Patent No.:** **US D531,750 S**

(45) **Date of Patent:** **** Nov. 7, 2006**

(54) **MALTESE CROSS LIGHT BEZEL**

D431,318 S * 9/2000 Huang D26/139
D475,802 S * 6/2003 Homann D26/74

(75) Inventor: **Jack Lin**, Rancho Palos Verdes, CA
(US)

* cited by examiner

(73) Assignee: **United Pacific Industries Inc.**, Carson,
CA (US)

Primary Examiner—Marcus A. Jackson
(74) *Attorney, Agent, or Firm*—Chan Law Group LLP; Lisa
A. Karczewski

(**) Term: **14 Years**

(57) **CLAIM**

(21) Appl. No.: **29/220,765**

The ornamental designs for a Maltese cross light bezel, as
shown and described.

(22) Filed: **Jan. 4, 2005**

DESCRIPTION

(51) **LOC (8) Cl.** **26-05**

FIG. 1 is a front view of a first embodiment of the Maltese
cross light bezel of my new design.

(52) **U.S. Cl.** **D26/139**

FIG. 2 is a side view of the Maltese cross light bezel of FIG.
1.

(58) **Field of Classification Search** D26/28–36,
D26/139; 362/61, 80, 81, 82, 83, 267–275,
362/459–468, 475–478, 485–487
See application file for complete search history.

FIG. 3 is a cross section view of the Maltese cross light bezel
of FIG. 1 taken along 3–3.

FIG. 4 is a front view of a second embodiment of the
Maltese cross light bezel of my new design.

FIG. 5 is a side view of the Maltese cross light bezel of FIG.
4; and,

FIG. 6 is a cross section view of the Maltese cross light bezel
of FIG. 4 taken along 6–6.

(56) **References Cited**

U.S. PATENT DOCUMENTS

D287,414 S * 12/1986 Giles et al. D26/139
D375,568 S * 11/1996 Matthies D26/28

1 Claim, 2 Drawing Sheets

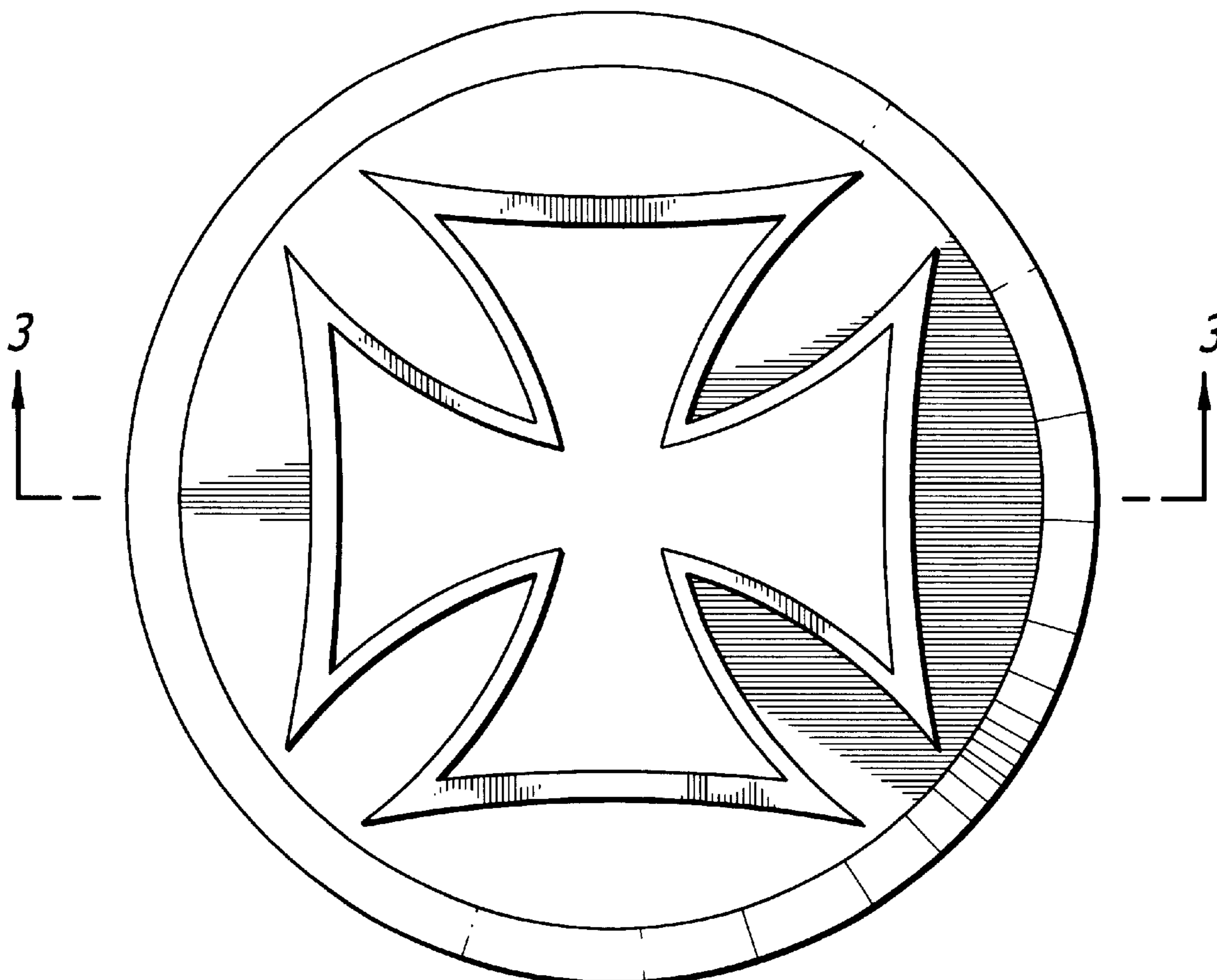


FIG. 1

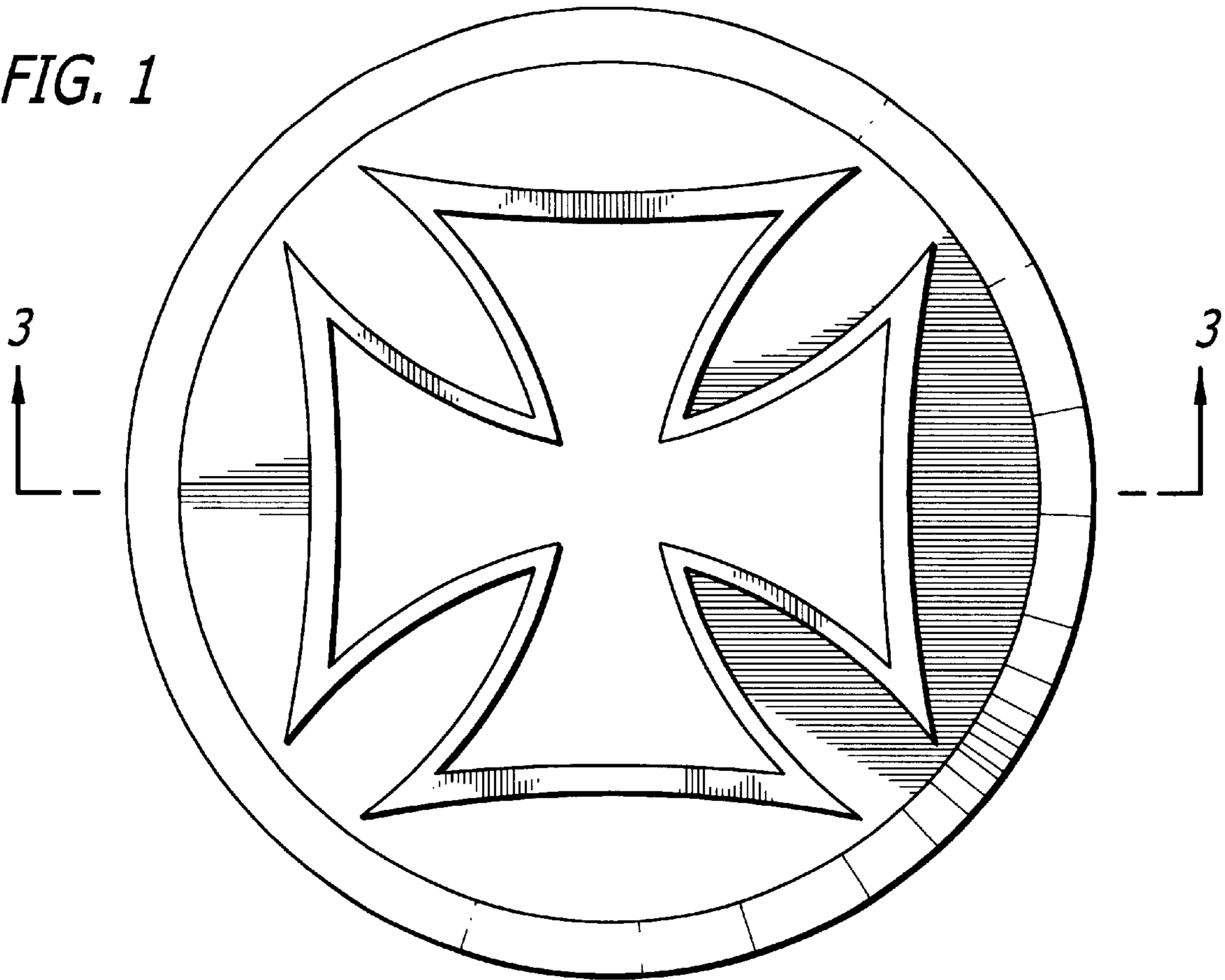


FIG. 2

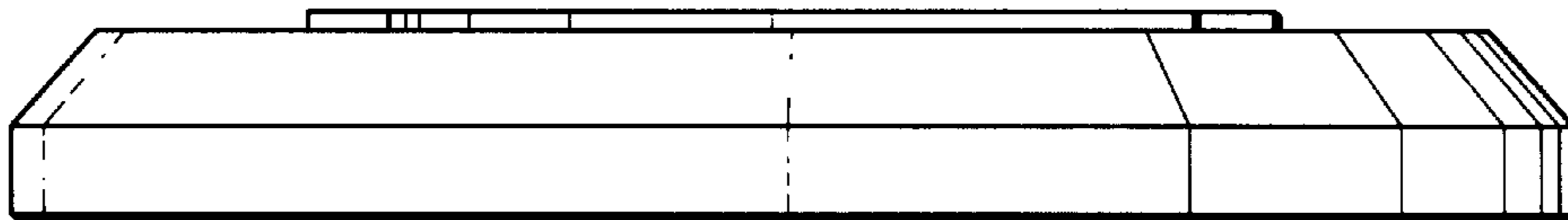


FIG. 3



FIG. 4

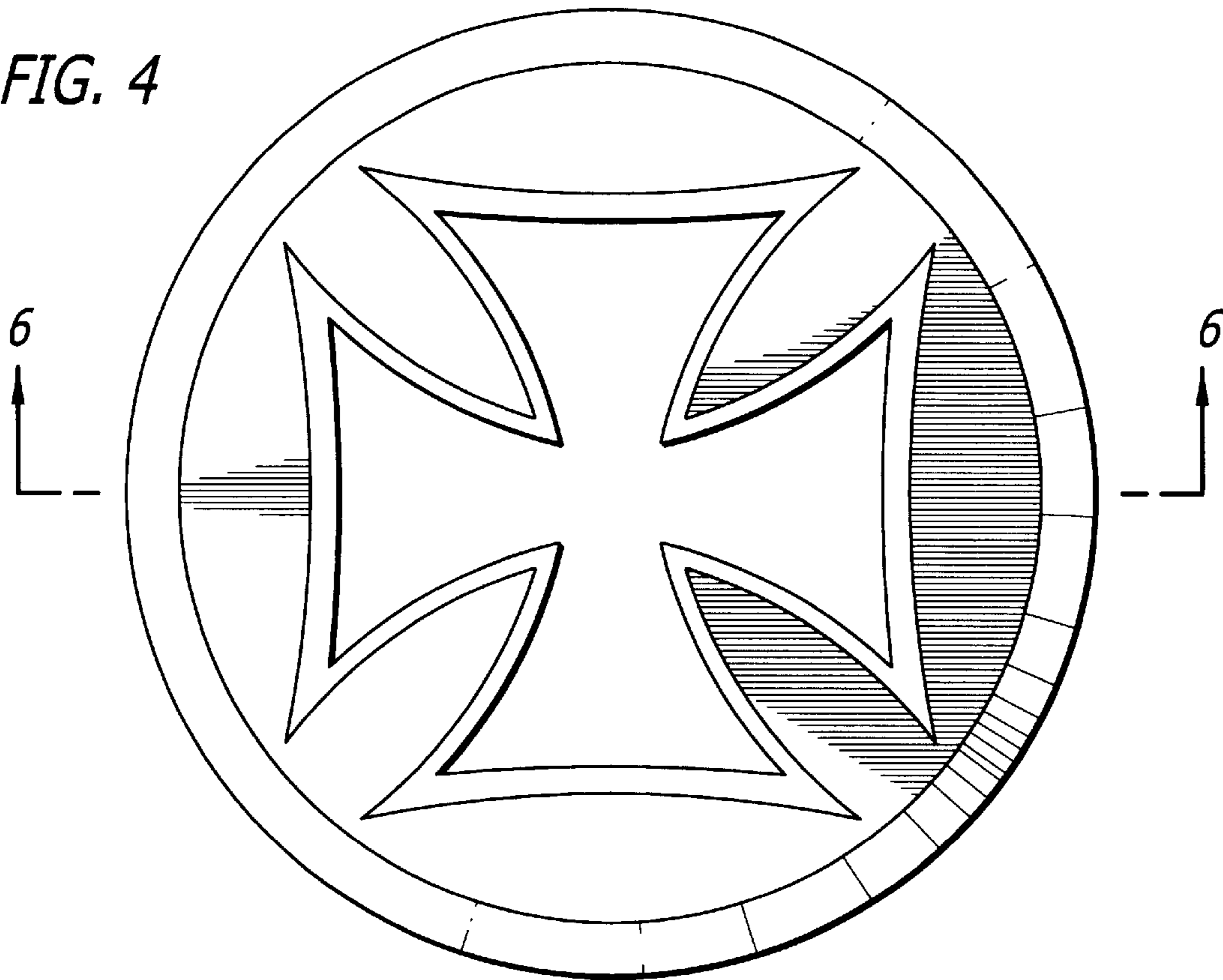


FIG. 5

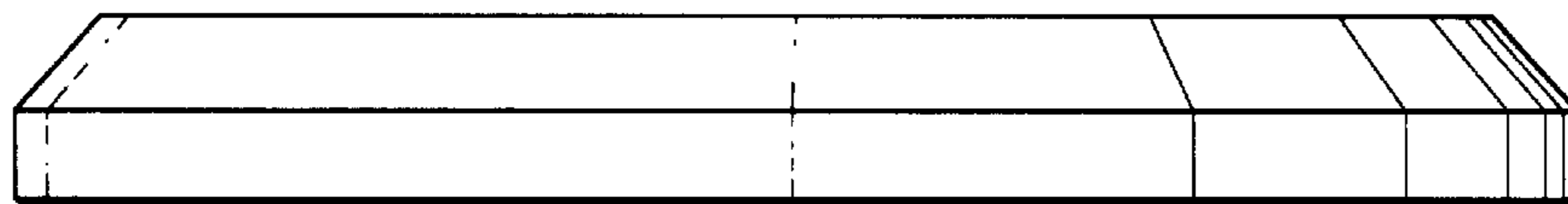


FIG. 6

