



US00D531748S

(12) **United States Design Patent**
Sanoner

(10) **Patent No.:** **US D531,748 S**

(45) **Date of Patent:** **** Nov. 7, 2006**

(54) **OUTDOOR LIGHT**

(76) Inventor: **Hughes Marie Sanoner**, Units A-C,
18th Floor, CDW Building, 388 Castle
Peak Road, Tsuen Wan, New Territories,
Hong Kong SAR (CN)

(**) Term: **14 Years**

(21) Appl. No.: **29/239,844**

(22) Filed: **Oct. 4, 2005**

(51) **LOC (8) Cl.** **26-05**

(52) **U.S. Cl.** **D26/68; D26/63**

(58) **Field of Classification Search** D26/67-71,
D26/113, 61, 63, 65; D13/102; 362/183,
362/153, 285, 287, 288, 362, 363, 431, 427;
126/589, 704; 136/251

See application file for complete search history.

(56) **References Cited**

U.S. PATENT DOCUMENTS

3,104,064	A	*	9/1963	Bellek	362/267
D413,996	S	*	9/1999	Andrus et al.	D26/68
D414,579	S	*	9/1999	Denison et al.	D26/68
D439,999	S	*	4/2001	Stekelenburg	D26/65

6,612,720 B1 * 9/2003 Beadle 362/287
D495,083 S * 8/2004 Lam D26/67

* cited by examiner

Primary Examiner—Clare E Heflin

(74) *Attorney, Agent, or Firm*—Alix, Yale & Ristas, LLP

(57) **CLAIM**

The ornamental design for an outdoor light, as shown and described.

DESCRIPTION

FIG. 1 is a front, left side and top perspective view of an outdoor light showing my new design;

FIG. 2 is a front elevational view thereof;

FIG. 3 is a fragmentary rear elevational view thereof, with the support shown broken away for illustrative purposes only;

FIG. 4 is a fragmentary left side elevational view thereof, with the right side view being a mirror image and with the support shown broken away for illustrative purposes only;

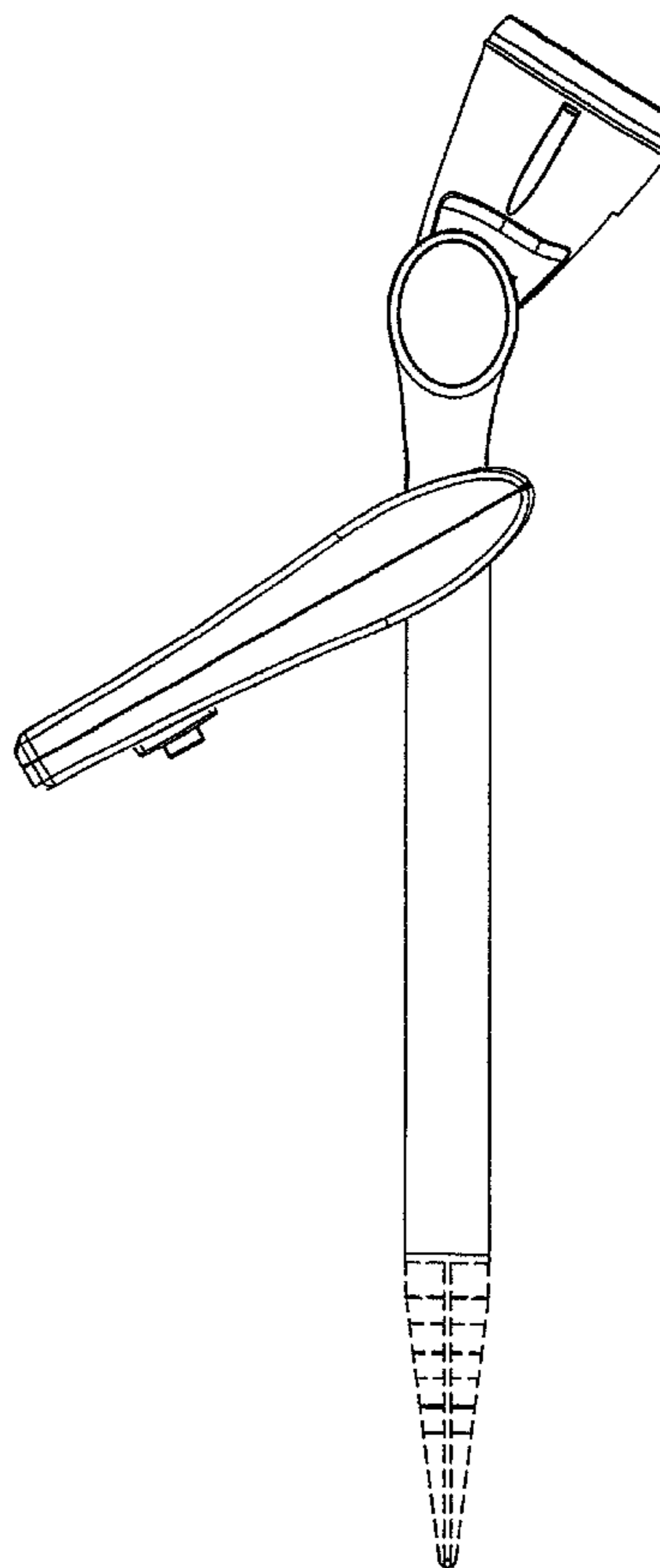
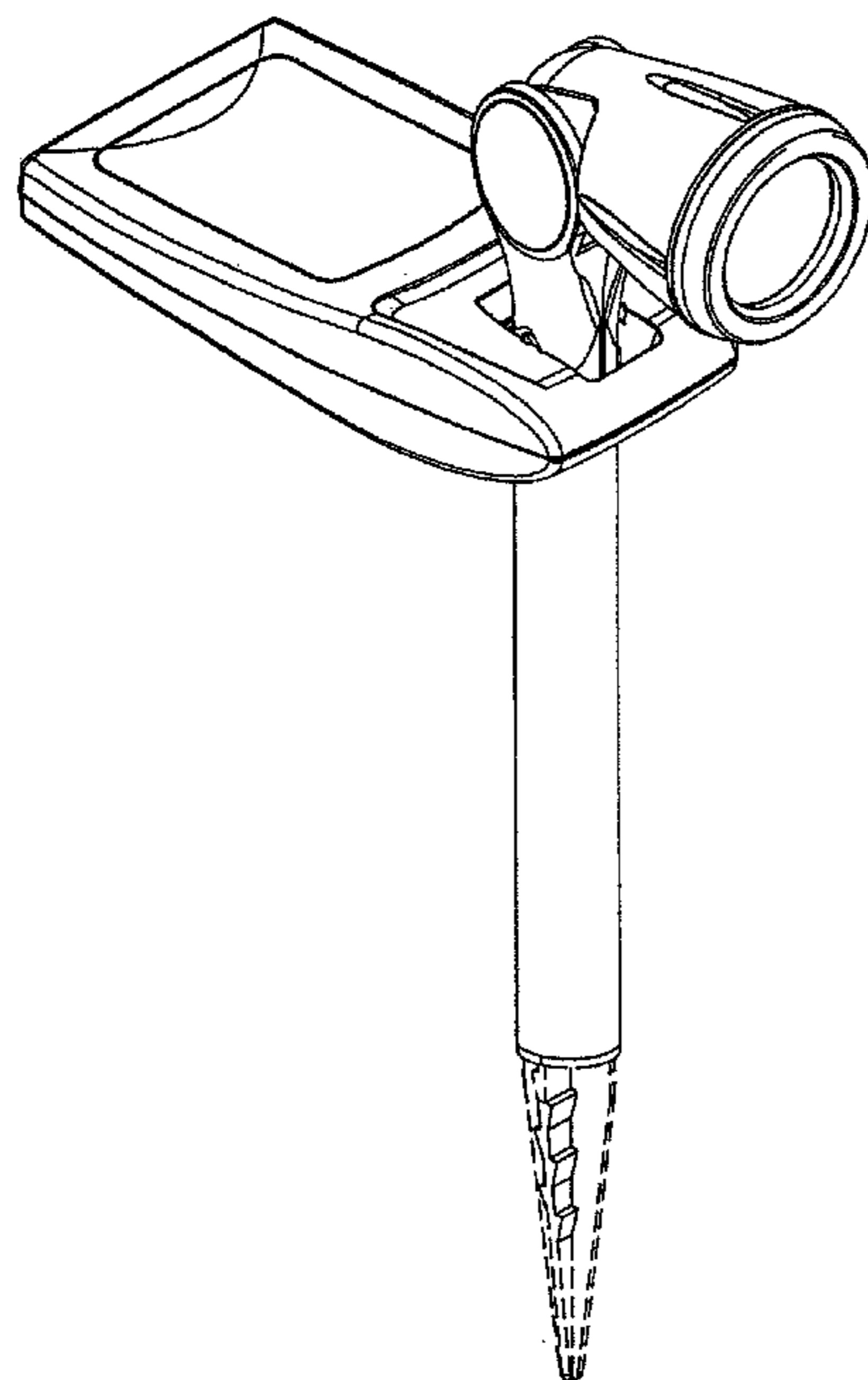
FIG. 5 is a top plan view thereof;

FIG. 6 is a bottom plan view thereof; and,

FIG. 7 is a left side view thereof, with its parts in different positions.

The broken lines shown on the drawings are for illustrative purposes only and form no part of the claimed design.

1 Claim, 5 Drawing Sheets



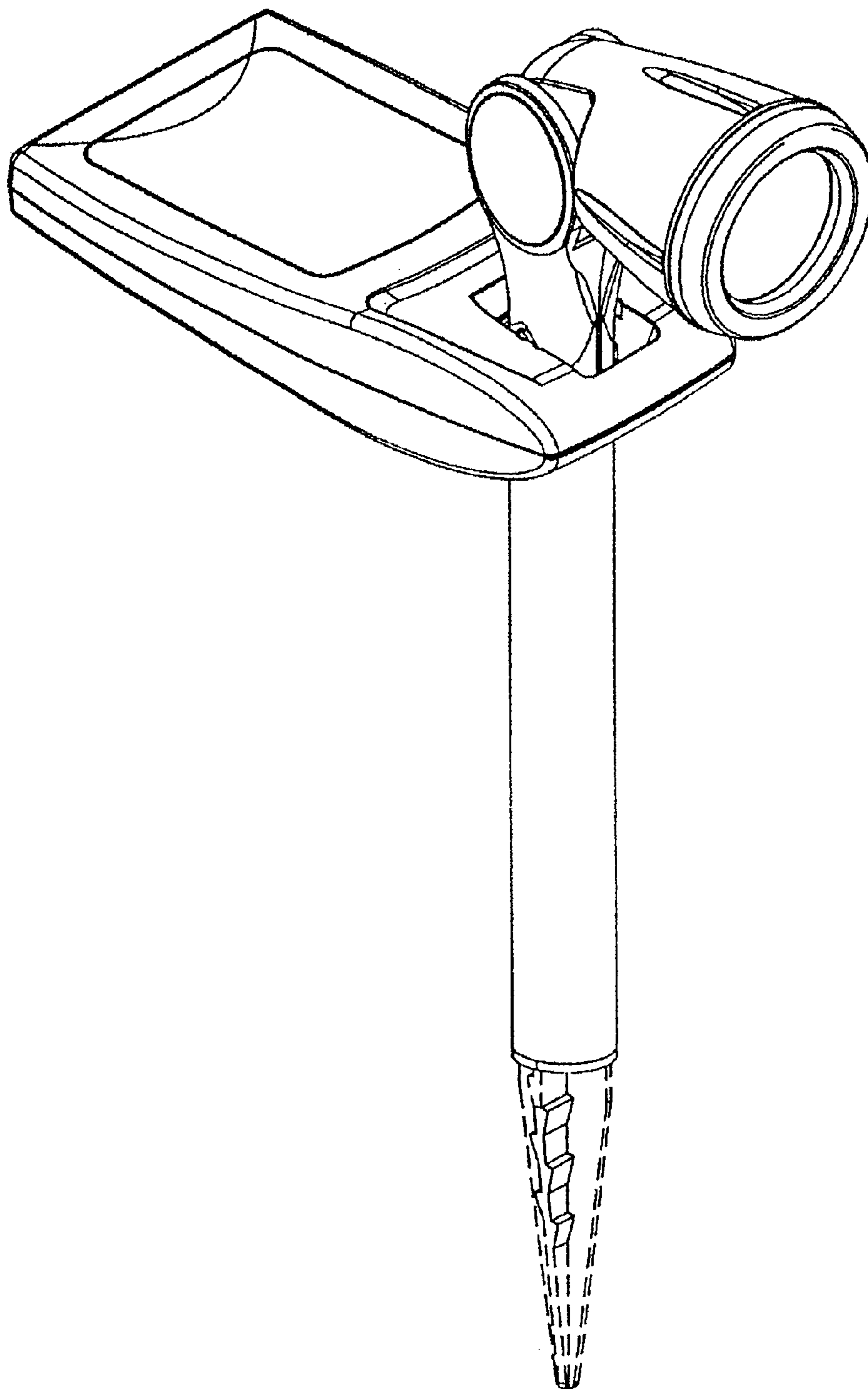


FIG. 1

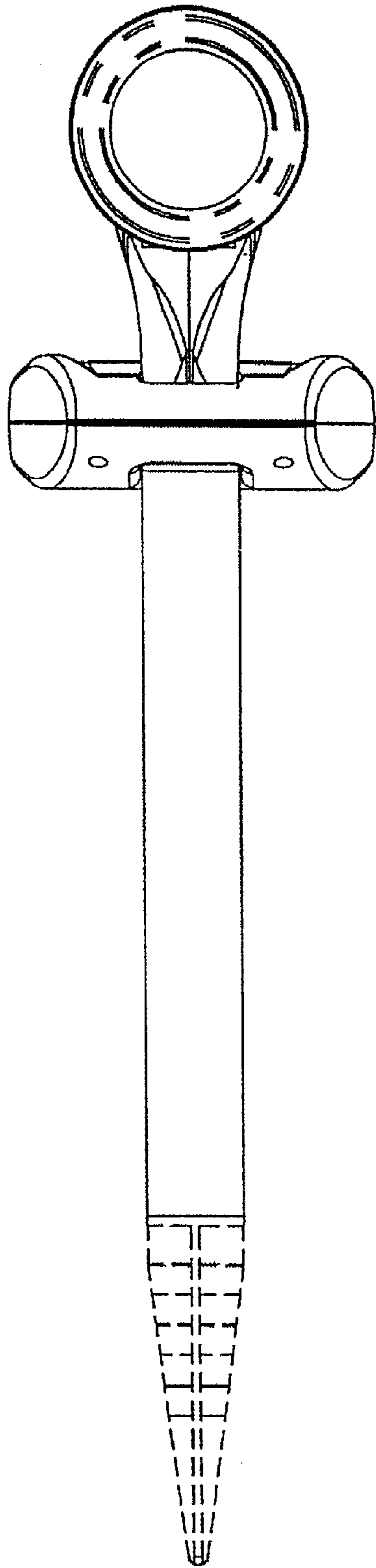


FIG. 2

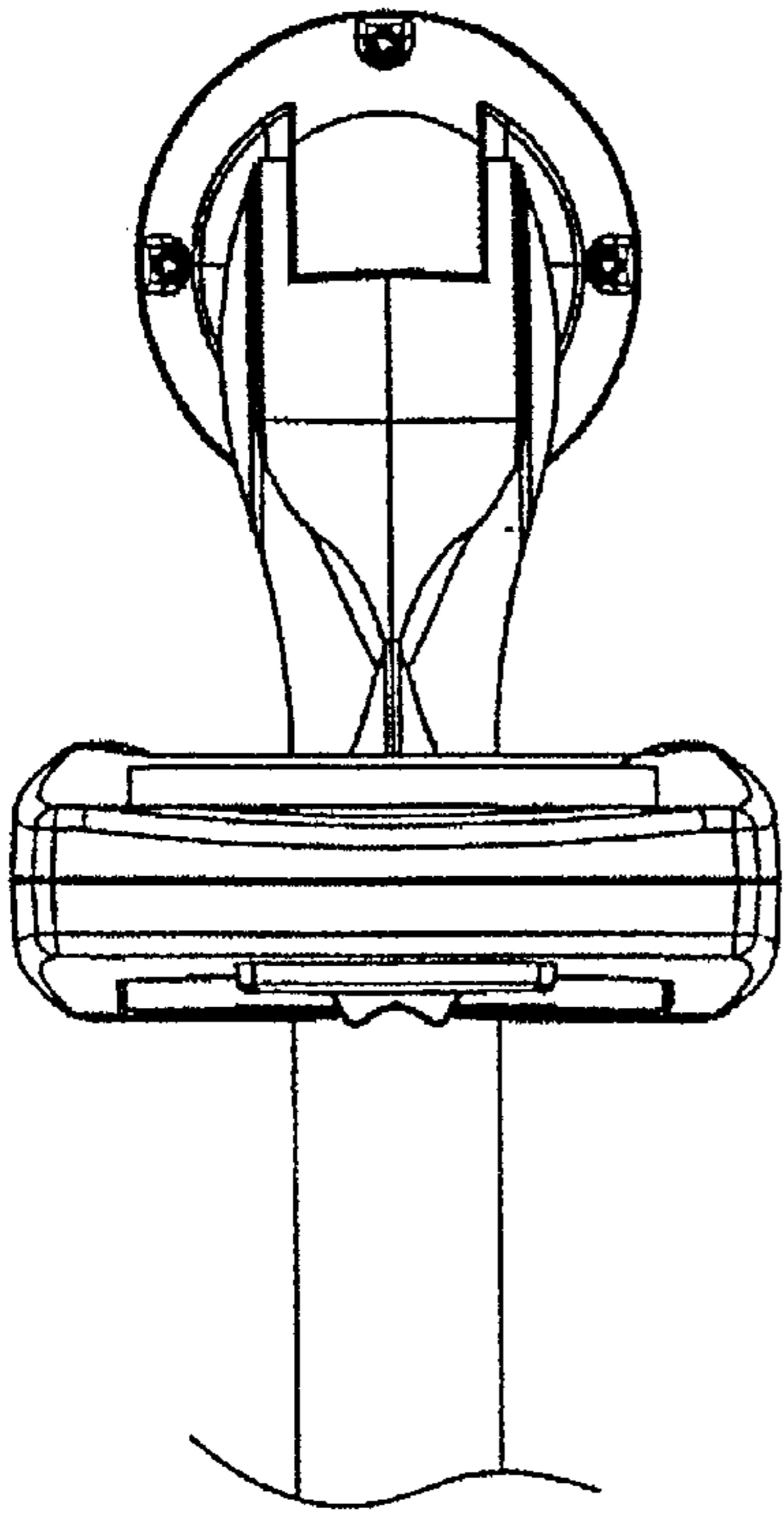


FIG. 3

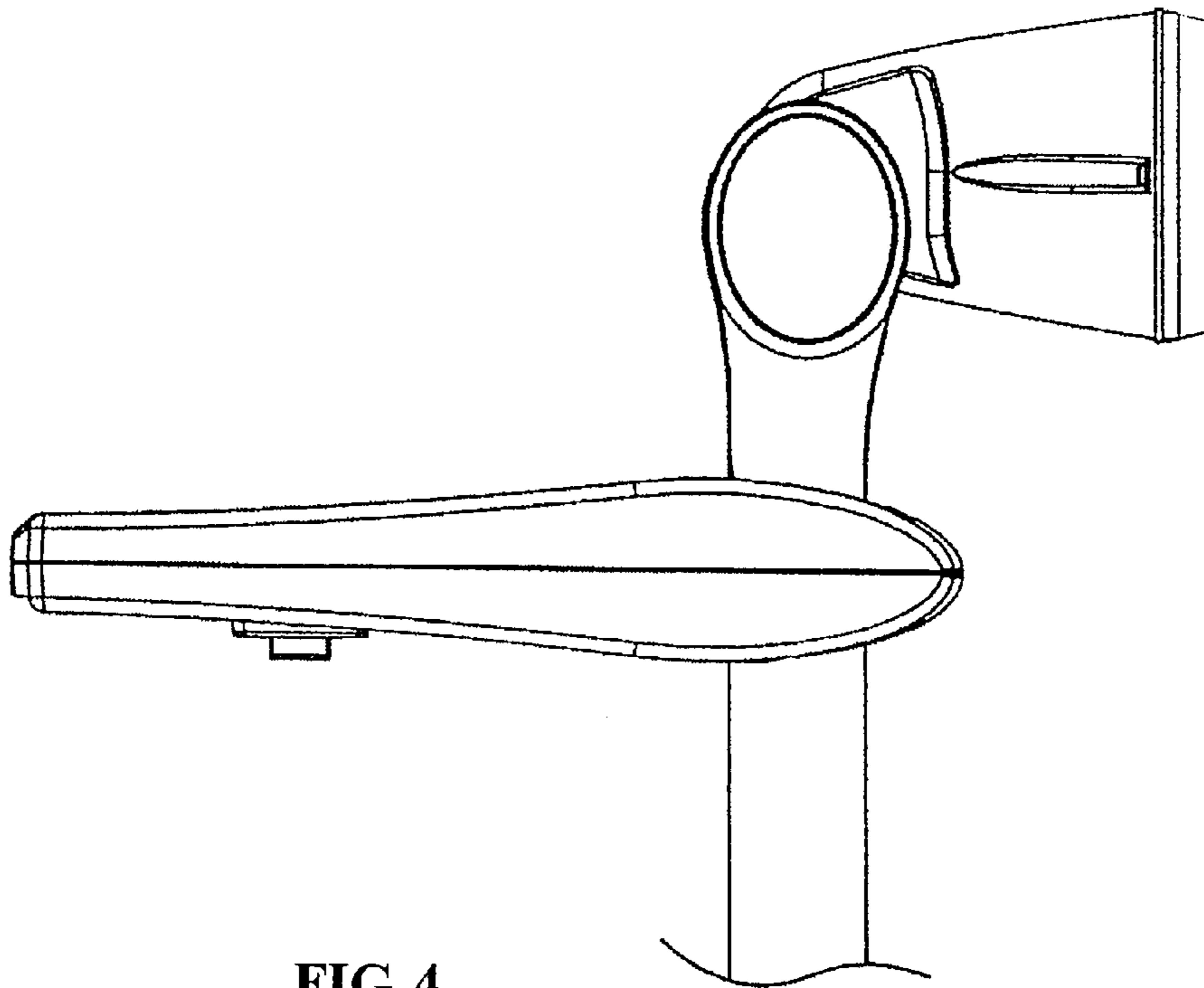


FIG. 4

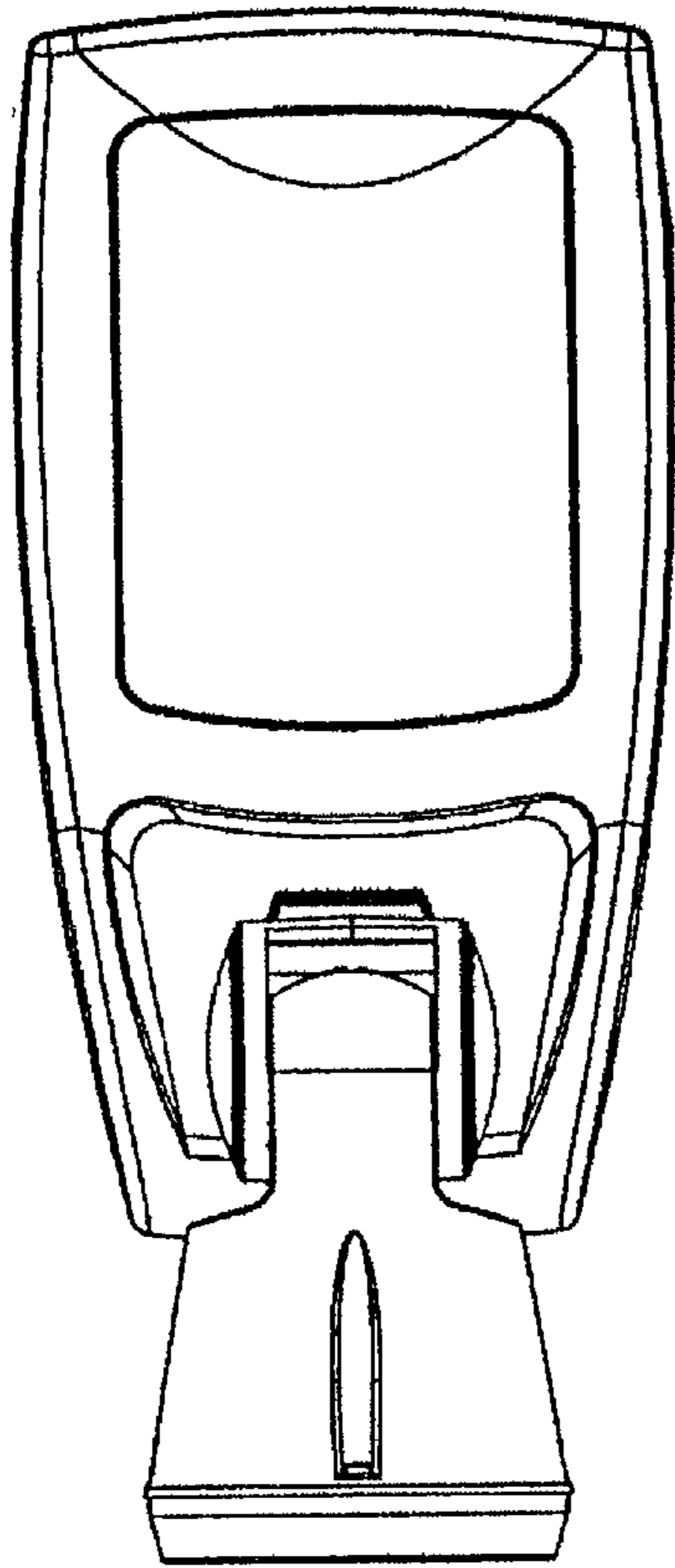


FIG. 5

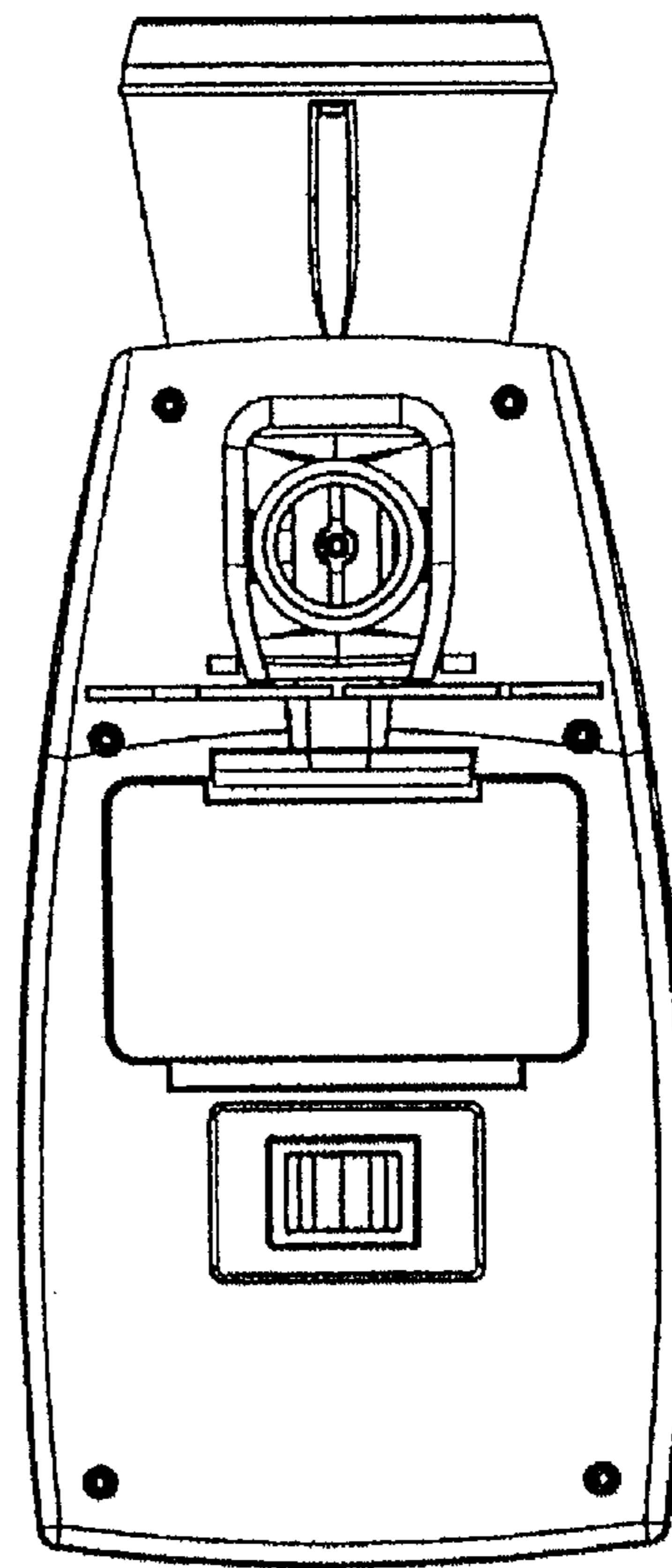


FIG. 6

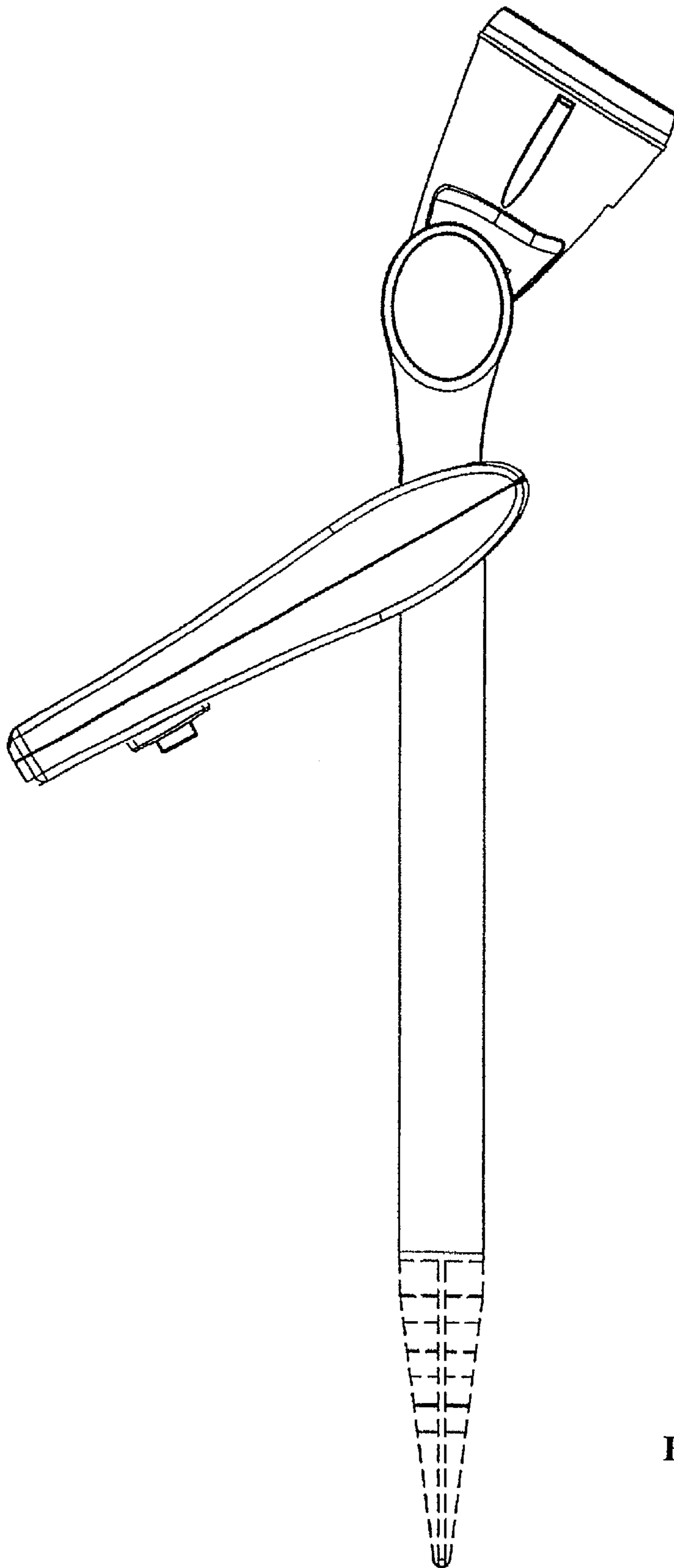


FIG. 7