



US00D531747S

(12) **United States Design Patent**  
**Brown**

(10) **Patent No.:** **US D531,747 S**

(45) **Date of Patent:** **\*\* Nov. 7, 2006**

(54) **FLASHLIGHT**

D498,865 S \* 11/2004 Mah ..... D26/49  
D509,011 S \* 8/2005 Fritz ..... D26/49

(75) Inventor: **John R. Brown**, Mosman (AU)

\* cited by examiner

(73) Assignee: **Eveready Battery Company, Inc.**, St. Louis, MO (US)

*Primary Examiner*—Marcus A. Jackson

(74) *Attorney, Agent, or Firm*—Michael C. Pophal

(\*\*) Term: **14 Years**

(57) **CLAIM**

(21) Appl. No.: **29/240,254**

We claim the ornamental design for a flashlight, as shown and described.

(22) Filed: **Oct. 11, 2005**

**DESCRIPTION**

(30) **Foreign Application Priority Data**

Apr. 14, 2005 (JP) ..... 11518/05

FIG. 1 is a right front view of the flashlight of the present invention;

(51) **LOC (8) Cl.** ..... **26-02**

FIG. 2 is a left rear view of the flashlight of the present invention;

(52) **U.S. Cl.** ..... **D26/49**

FIG. 3 is a rear view of the flashlight of the present invention;

(58) **Field of Classification Search** ..... D26/37-50;  
362/157, 158, 171-174, 183-208  
See application file for complete search history.

FIG. 4 is a front view of the flashlight of the present invention;

FIG. 5 is a bottom view of the flashlight of the present invention;

(56) **References Cited**

**U.S. PATENT DOCUMENTS**

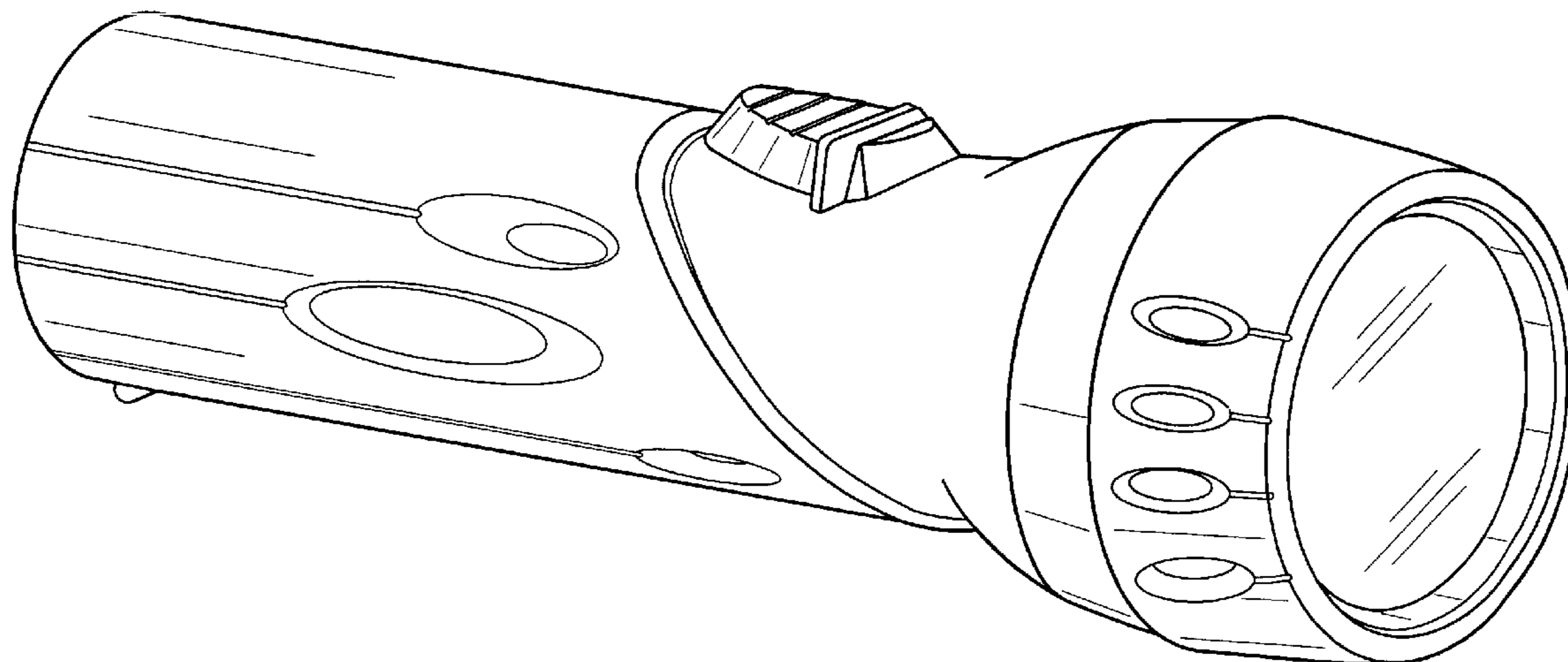
D484,627 S \* 12/2003 Mah ..... D26/49  
D493,904 S \* 8/2004 Dalton et al. .... D26/49  
D494,300 S \* 8/2004 Wright et al. .... D26/49

FIG. 6 is a top view of the flashlight of the present invention;

FIG. 7 is a left side view of the flashlight of the present invention; and,

FIG. 8 is a right side view of the flashlight of the present invention.

**1 Claim, 7 Drawing Sheets**



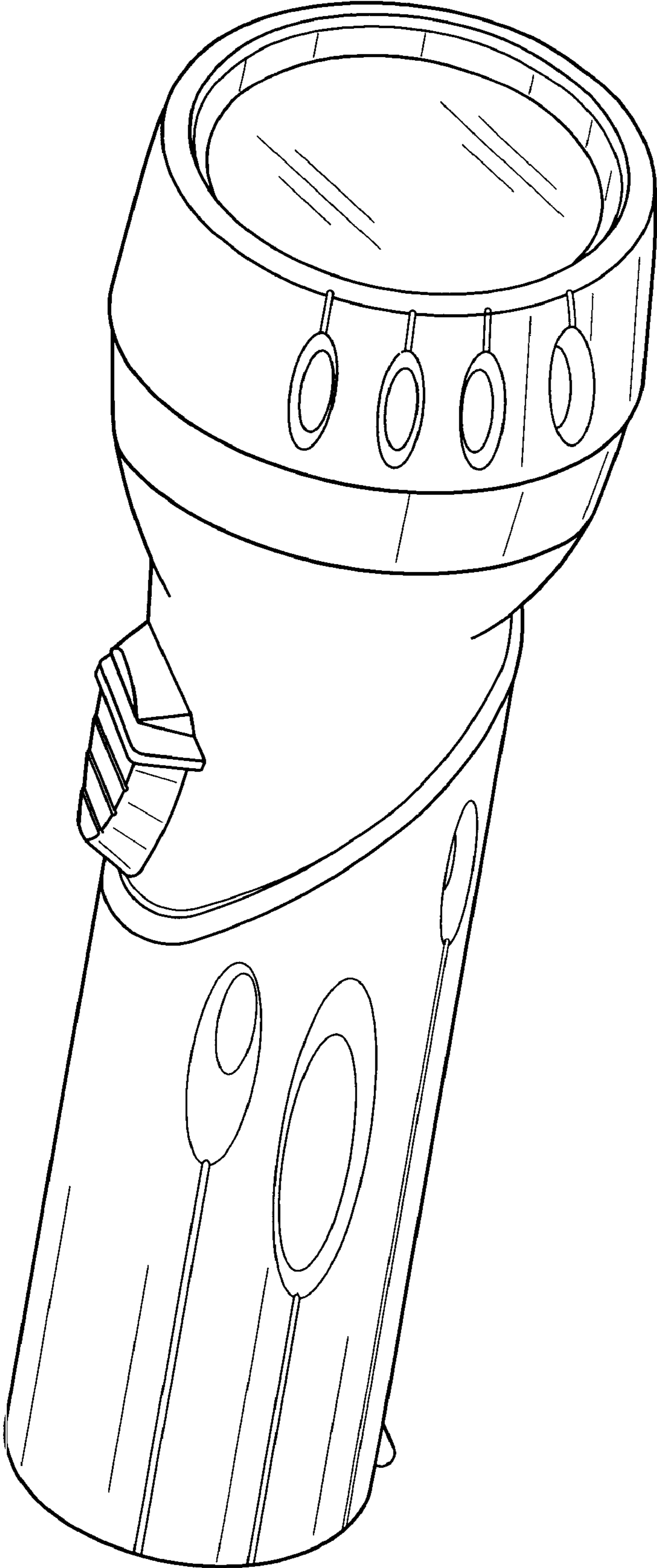


Fig. 1

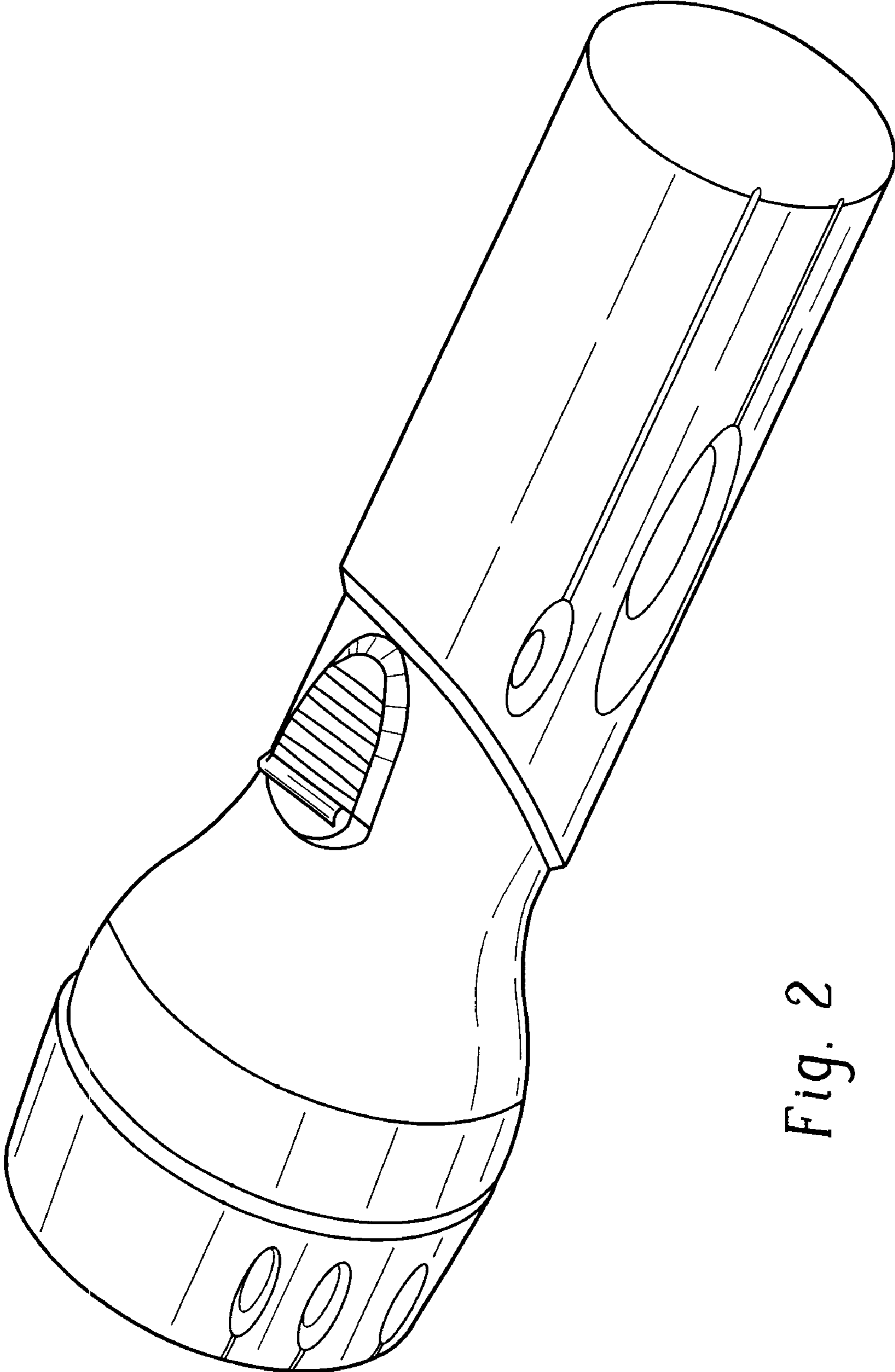
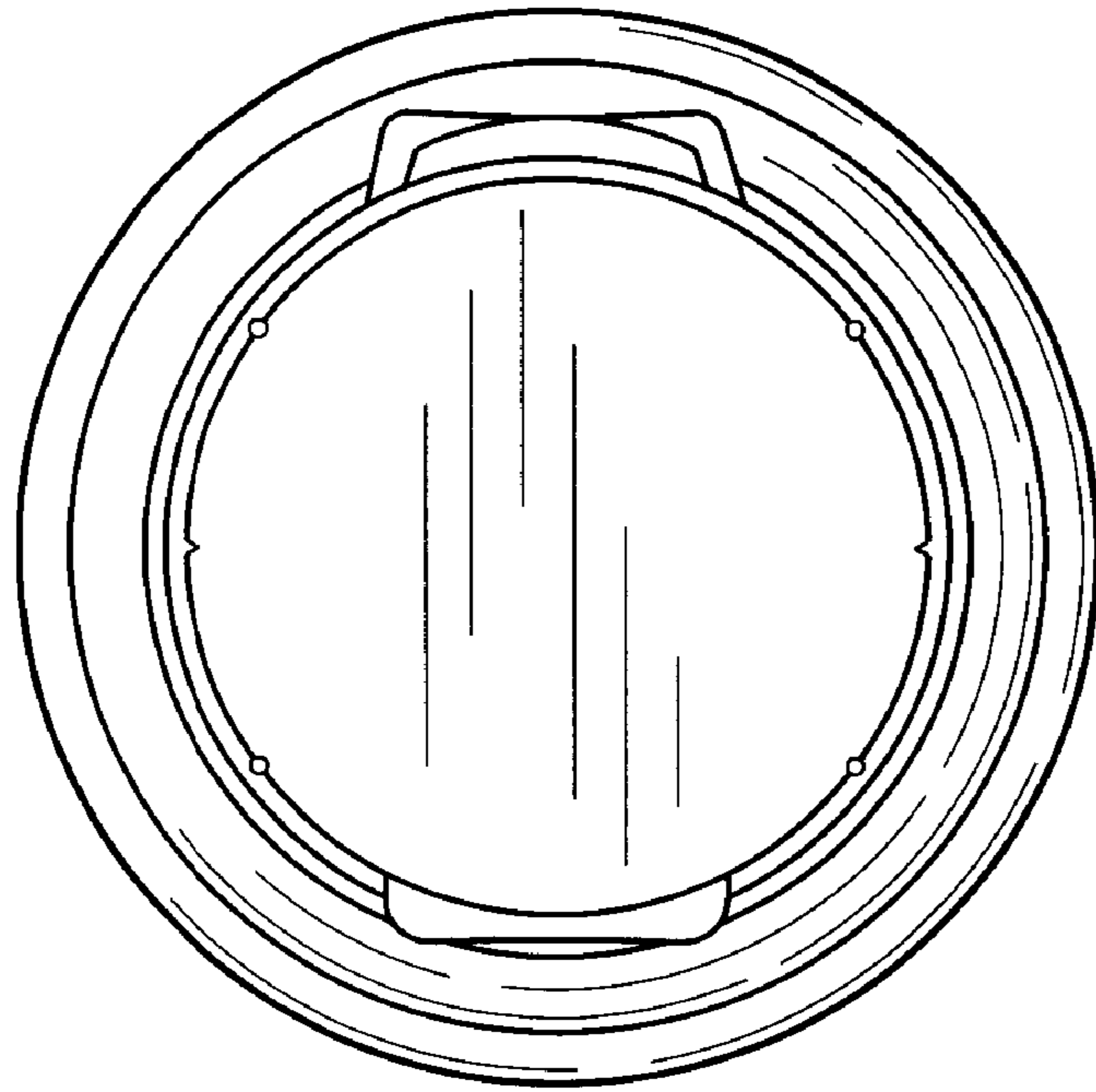
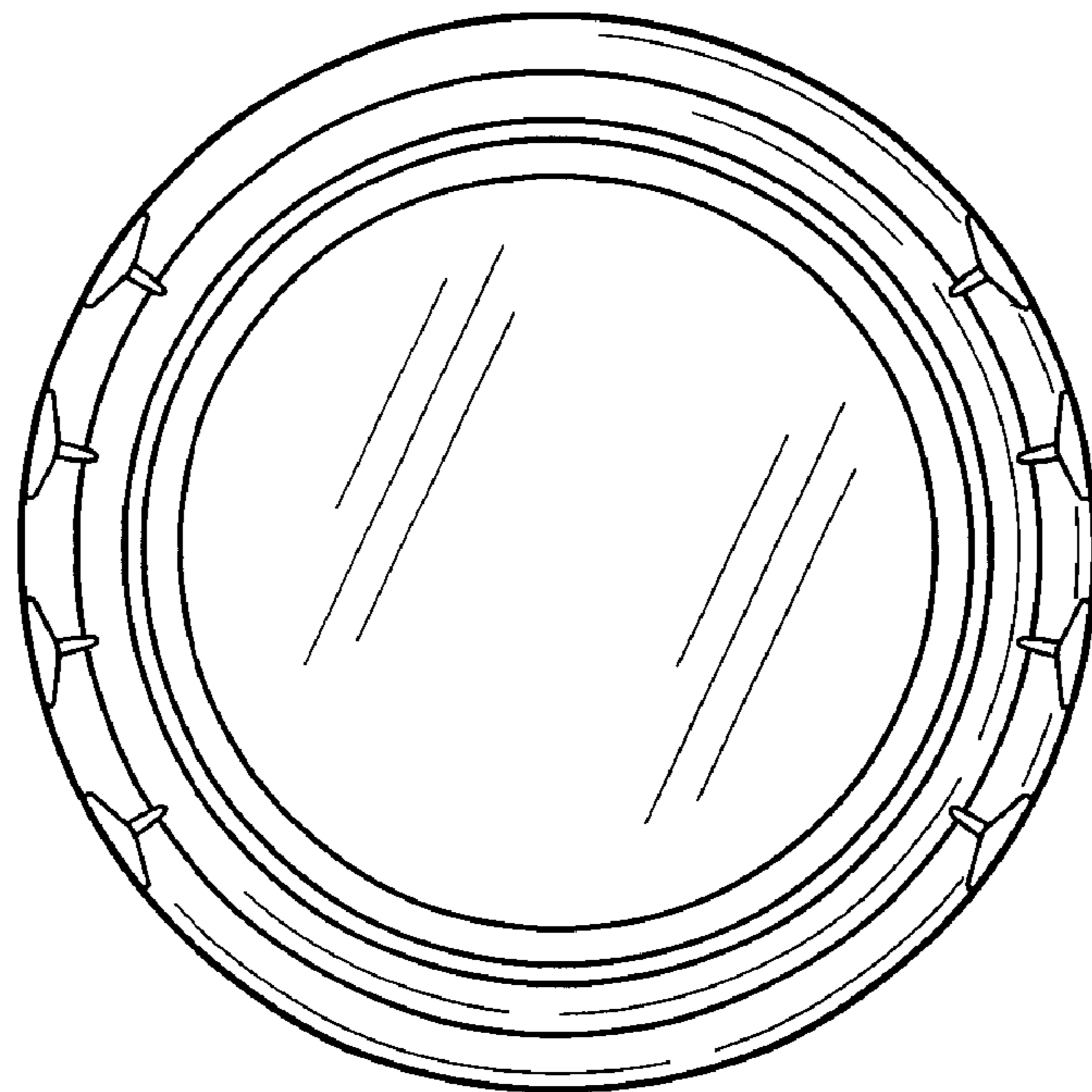


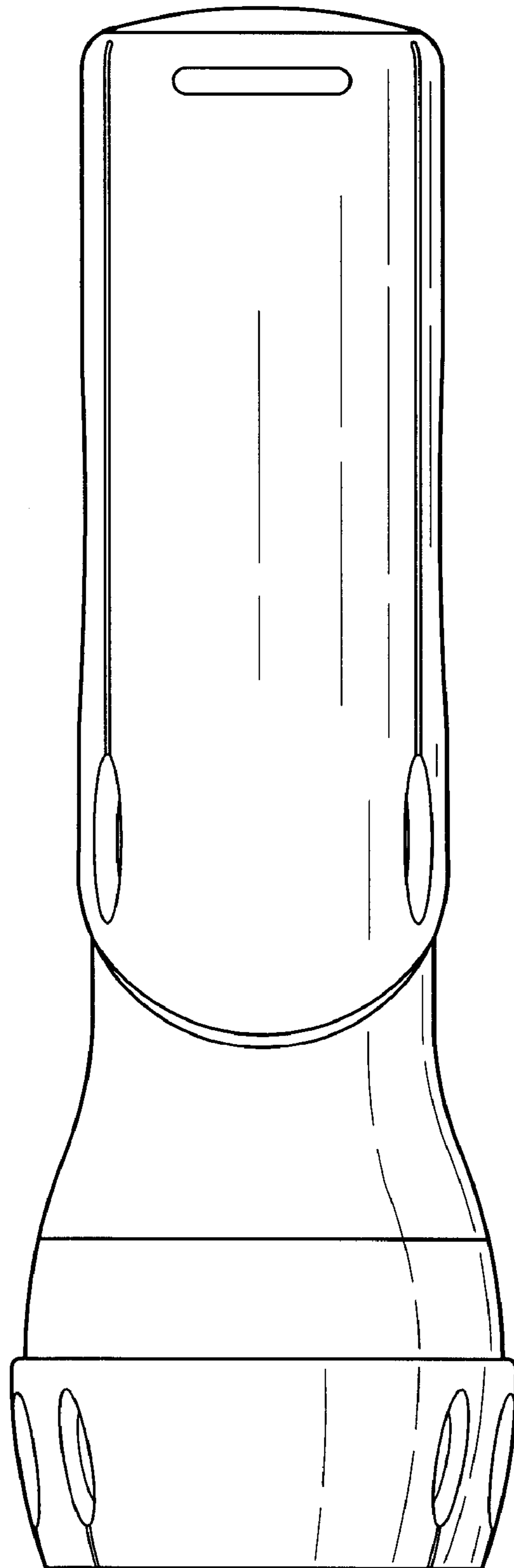
Fig. 2



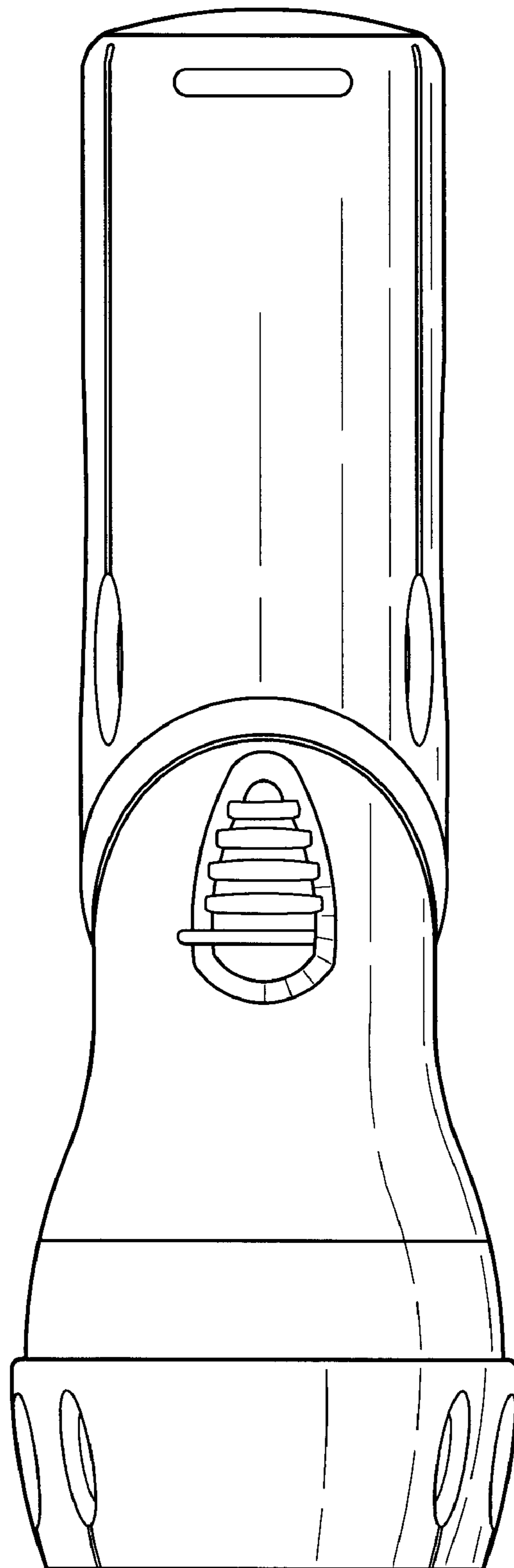
*Fig. 3*



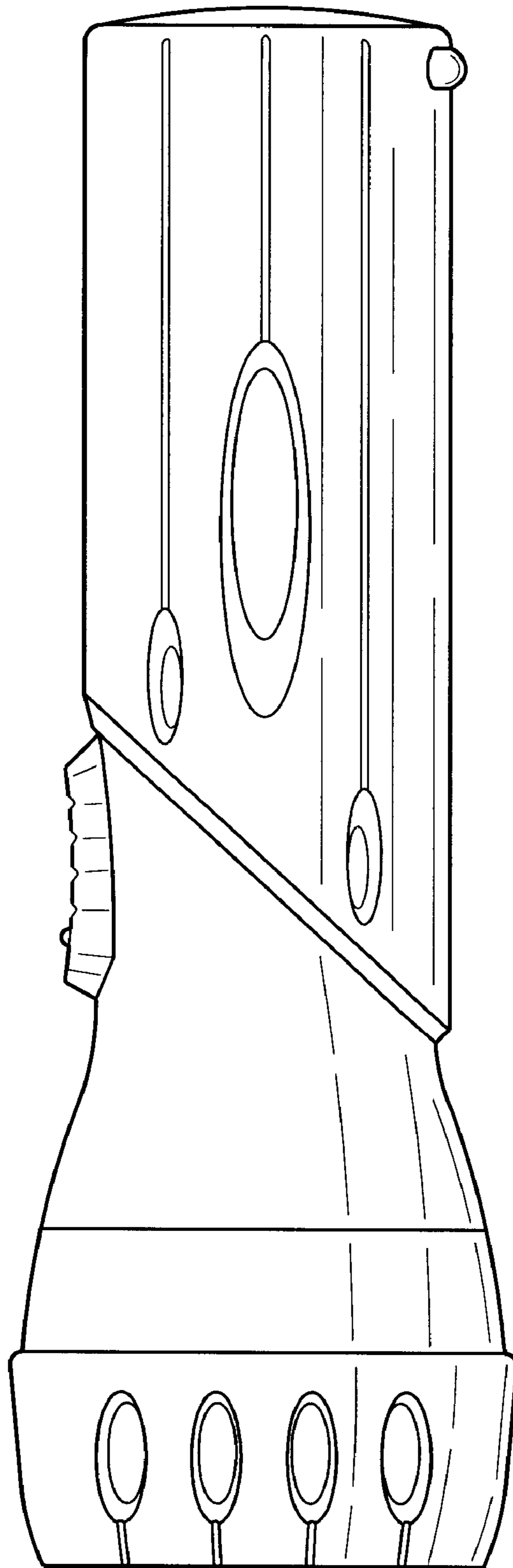
*Fig. 4*



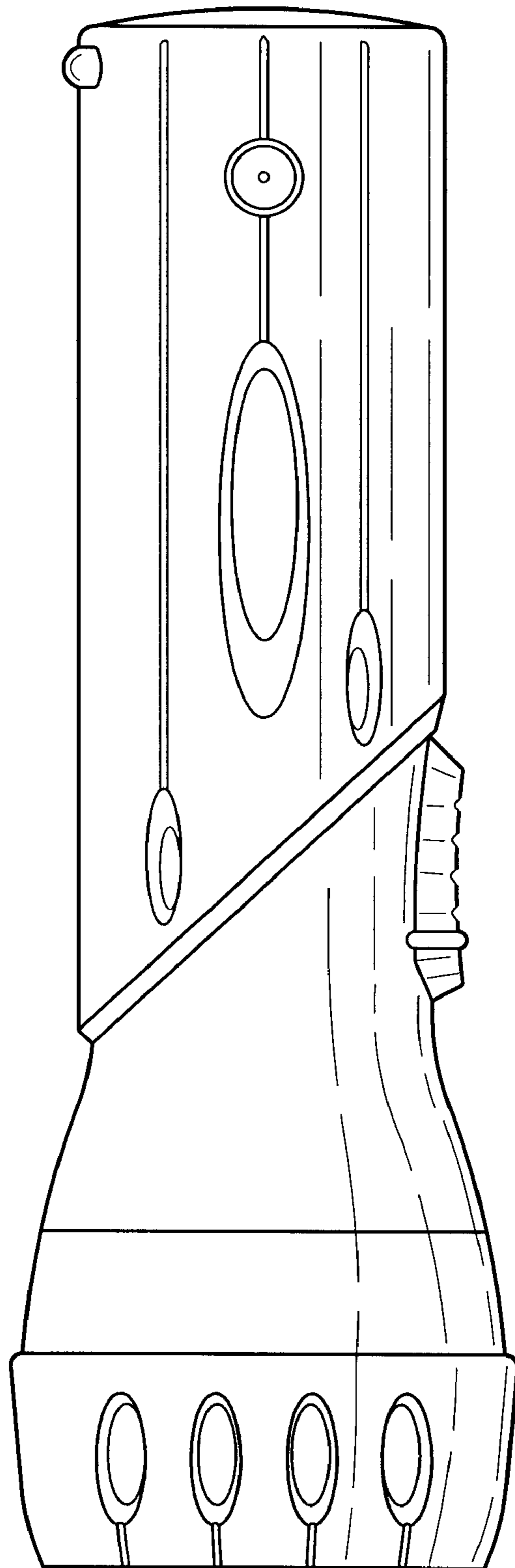
*Fig. 5*



*Fig. 6*



*Fig. 7*



*Fig. 8*