



US00D531746S

(12) **United States Design Patent** (10) **Patent No.:** **US D531,746 S**
Zhu (45) **Date of Patent:** **** Nov. 7, 2006**

(54) **FLASHLIGHT**

(75) Inventor: **Cheng Bing Zhu**, Ninobo (CN)
(73) Assignee: **Waisun Corporation**, Bellflower, CA (US)
(**) Term: **14 Years**

(21) Appl. No.: **29/227,585**
(22) Filed: **Apr. 13, 2005**

(51) **LOC (8) Cl.** **26-02**
(52) **U.S. Cl.** **D26/49**
(58) **Field of Classification Search** D26/37-50;
362/157, 158, 171-174, 183-208
See application file for complete search history.

(56) **References Cited**

U.S. PATENT DOCUMENTS

4,286,311 A	8/1981	Maglica
D263,170 S	2/1982	Maglica
4,388,673 A	6/1983	Maglica
4,456,348 A	6/1984	Schulz et al.
4,527,223 A	7/1985	Maglica
4,577,263 A	3/1986	Maglica
4,656,565 A	4/1987	Maglica
4,658,336 A	4/1987	Maglica
4,819,141 A	4/1989	Maglica et al.
4,823,242 A	4/1989	Maglica et al.
4,841,417 A	6/1989	Maglica et al.
4,851,974 A	7/1989	Maglica
D303,107 S	8/1989	Maglica et al.
4,864,474 A	9/1989	Maglica
4,885,668 A	12/1989	Maglica et al.
4,899,265 A	2/1990	Maglica
D308,109 S	5/1990	Maglica et al.
D308,731 S	6/1990	Maglica et al.
4,942,505 A	7/1990	Maglica
4,956,755 A	9/1990	Maglica et al.
4,980,805 A	12/1990	Maglica et al.
5,003,440 A	3/1991	Maglica
5,008,785 A	4/1991	Maglica et al.
5,062,026 A	10/1991	Maglica et al.

(Continued)

OTHER PUBLICATIONS

United States Trademark , Registration 2687693 registered Feb. 18, 2003.
United States Trademark, Registration 2765979 registered Sep. 23, 2003.
United States Trademark, Registration 2745460 registered Aug. 5, 2003.
United States Trademark, Registration 2765978 registered Sep. 23, 2003.
United States Trademark, Registration 2937043 registered Mar. 29, 2005.
United States Trademark, Registration 2074795 registered Jul. 1, 1997.
U.S. Trademark Appl. No. 76484030, filed Jan. 21, 2003.

Primary Examiner—Marcus A. Jackson
(74) *Attorney, Agent, or Firm*—Jansson, Shupe, Munger & Anataramian

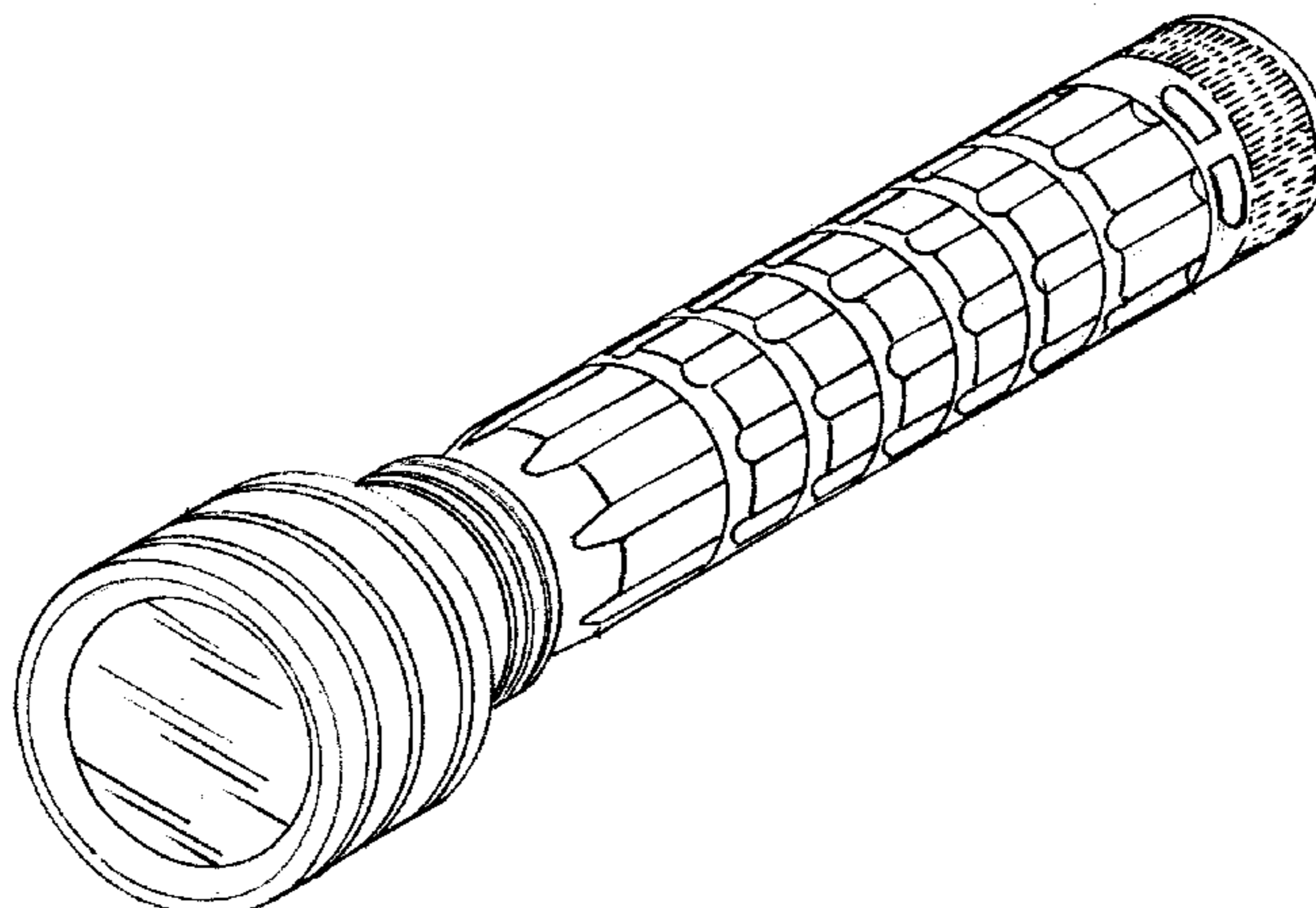
(57) **CLAIM**

The ornamental design for a flashlight, as shown and described.

DESCRIPTION

FIG. 1 is a perspective view of a flashlight.
FIG. 2 is a front elevational view of the flashlight.
FIG. 3 is a rear elevational view of the flashlight.
FIG. 4 is a top plan view of the flashlight.
FIG. 5 is a bottom plan view of the flashlight; and,
FIG. 6 is a left side elevational view of the flashlight. A right side elevational view of the flashlight is not shown as it is a mirror image of the right side elevational view.
Parts shown in broken lines in the figures are shown for illustrative purposes only and form no part of the claimed design. This design is not limited to the exact details shown in the drawings since equivalents and colorable imitations will be evident to a person of ordinary skill in the art. Thus, within the scope of the appended claim, the invention may be practiced otherwise than as specifically shown and described herein.

1 Claim, 2 Drawing Sheets



US D531,746 S

Page 2

U.S. PATENT DOCUMENTS					
5,109,321 A	4/1992	Maglica et al.	5,645,955 A	7/1997	Maglica
5,113,326 A	5/1992	Maglica	5,660,363 A	8/1997	Maglica
5,121,308 A	6/1992	Maglica et al.	5,667,185 A	9/1997	Maglica
5,128,841 A	7/1992	Maglica et al.	5,722,765 A	3/1998	Maglica
5,143,441 A	9/1992	Maglica	5,749,645 A	5/1998	Maglica
5,158,358 A	10/1992	Maglica et al.	5,795,675 A	8/1998	Maglica
5,165,782 A	11/1992	Maglica et al.	5,804,331 A	9/1998	Maglica
5,184,884 A	2/1993	Maglica et al.	5,806,964 A	9/1998	Maglica
5,193,898 A	3/1993	Maglica et al.	5,833,354 A	11/1998	Maglica
D335,718 S	5/1993	Maglica et al.	5,836,672 A	11/1998	Maglica et al.
5,207,502 A	5/1993	Maglica	5,860,728 A	1/1999	Maglica
D336,535 S	6/1993	Maglica et al.	5,865,526 A	2/1999	Maglica
D337,172 S	7/1993	Maglica et al.	6,086,219 A	7/2000	Maglica et al.
5,226,722 A	7/1993	Maglica	6,135,611 A	10/2000	Maglica
5,260,858 A	11/1993	Maglica	6,170,960 B1	1/2001	Maglica
5,267,130 A	11/1993	Maglica et al.	6,193,389 B1	2/2001	Maglica
5,267,131 A	11/1993	Maglica et al.	6,196,698 B1	3/2001	Maglica
D342,333 S	12/1993	Maglica	6,296,368 B1	10/2001	Maglica et al.
5,270,911 A	12/1993	Maglica et al.	D450,870 S *	11/2001	Yang D26/49
5,293,307 A	3/1994	Maglica	6,345,900 B1	2/2002	Maglica
5,315,494 A	5/1994	Maglica	6,361,183 B1	3/2002	Maglica
D348,112 S	6/1994	Maglica	6,428,182 B1	8/2002	Maglica
5,349,506 A	9/1994	Maglica	6,457,840 B1	10/2002	Maglica et al.
D351,245 S	10/1994	Maglica	6,554,449 B1	4/2003	Maglica
D353,217 S	12/1994	Maglica	6,575,592 B1	6/2003	Maglica
D353,986 S	1/1995	Maglica	D481,147 S *	10/2003	Yang D26/49
5,390,091 A	2/1995	Maglica	D481,818 S *	11/2003	Mah D26/49
5,400,227 A	3/1995	Maglica et al.	6,722,772 B1	4/2004	Maglica
D363,361 S	10/1995	Maglica	6,733,152 B1	5/2004	Maglica
5,455,752 A	10/1995	Maglica et al.	D496,115 S *	9/2004	Lin D26/49
5,485,360 A	1/1996	Maglica	6,802,624 B1	10/2004	Maglica
D367,721 S	3/1996	Maglica	6,802,625 B1	10/2004	Maglica
5,515,246 A	5/1996	Maglica	D501,054 S *	1/2005	Galli D26/37
5,528,472 A	6/1996	Maglica et al.	D512,525 S *	12/2005	Yang D26/49
5,548,495 A	8/1996	Maglica	D521,670 S *	5/2006	Kung D26/49
5,593,222 A	1/1997	Maglica			

* cited by examiner

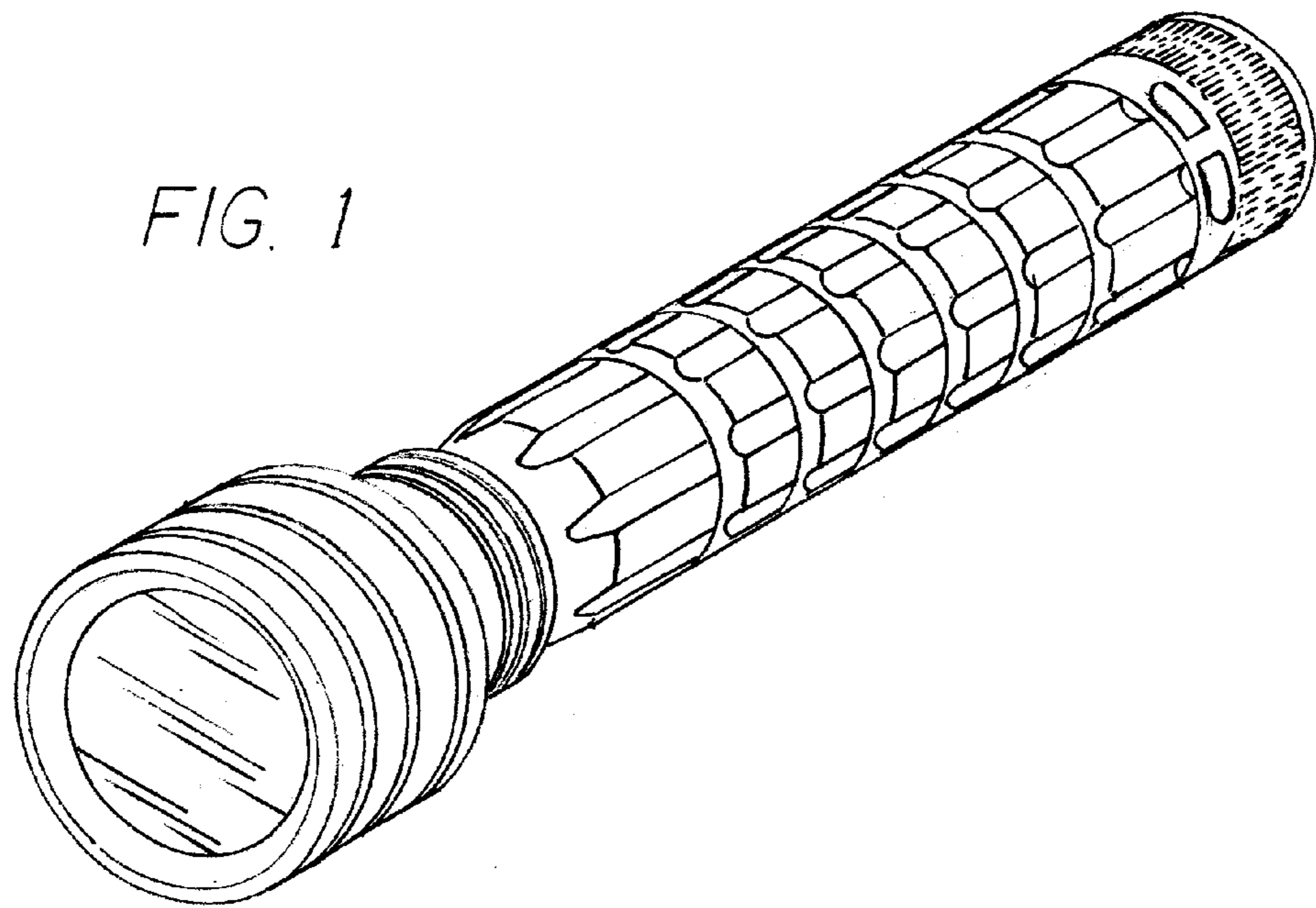


FIG. 1

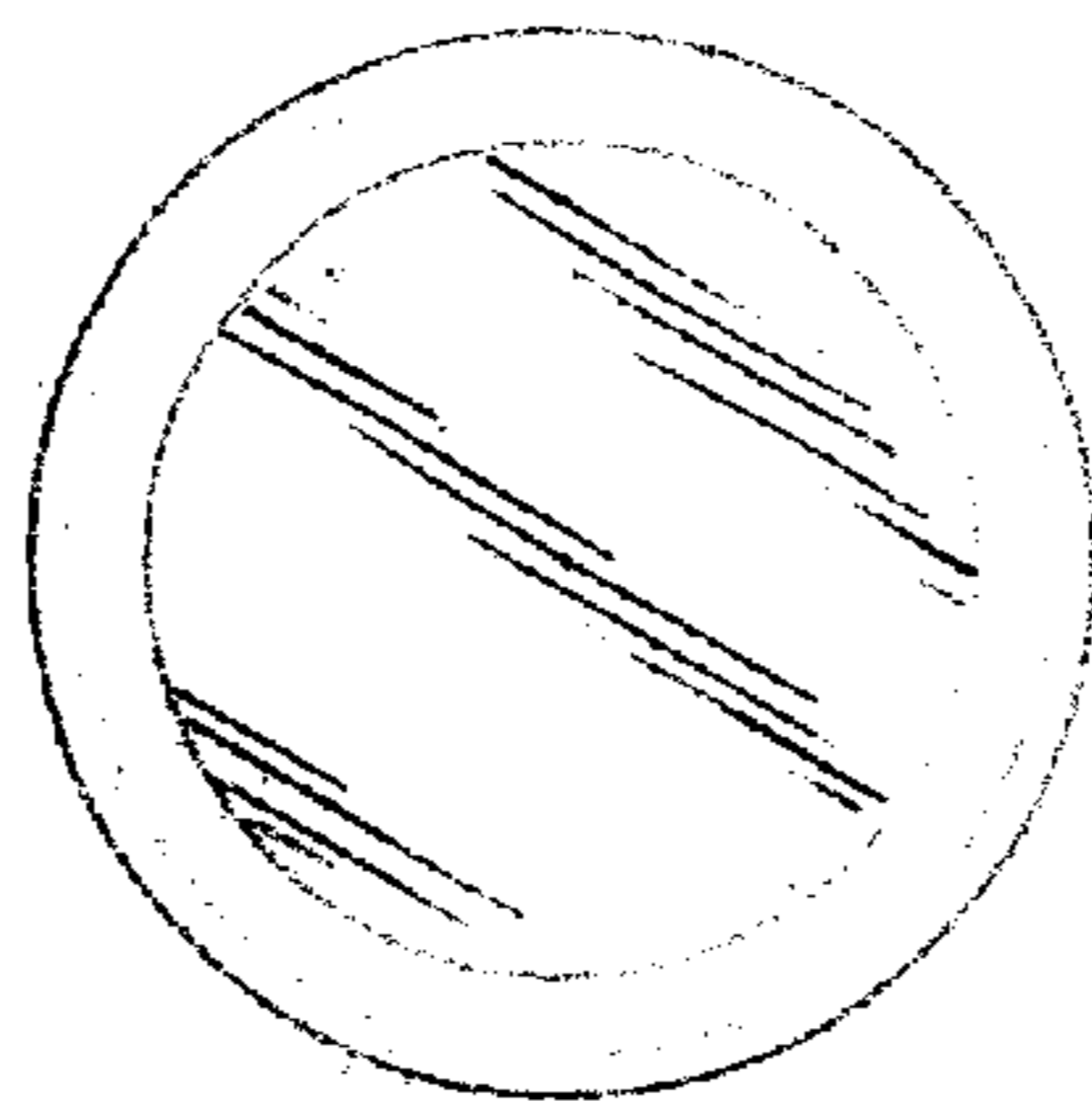


FIG. 2

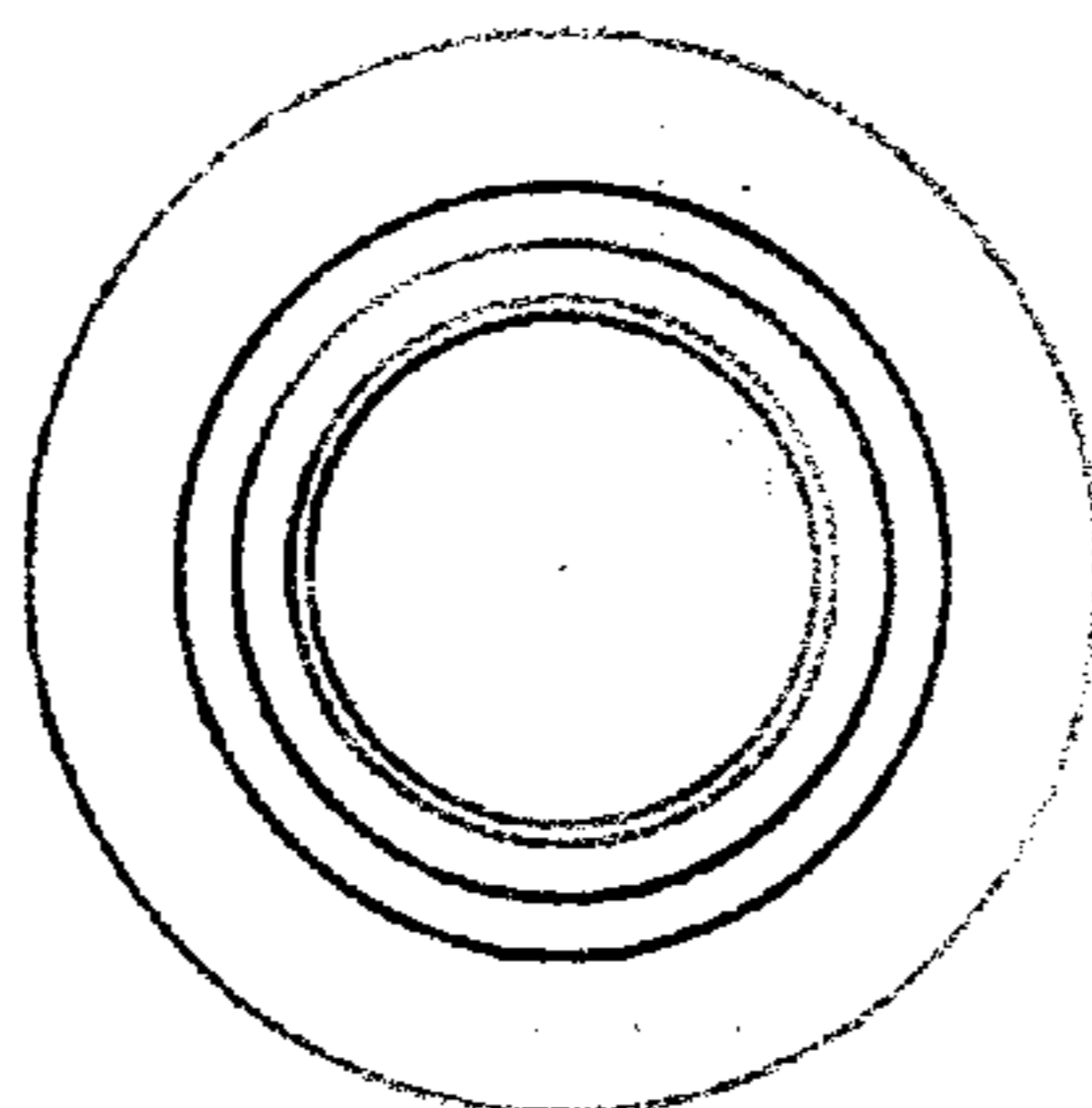


FIG. 3

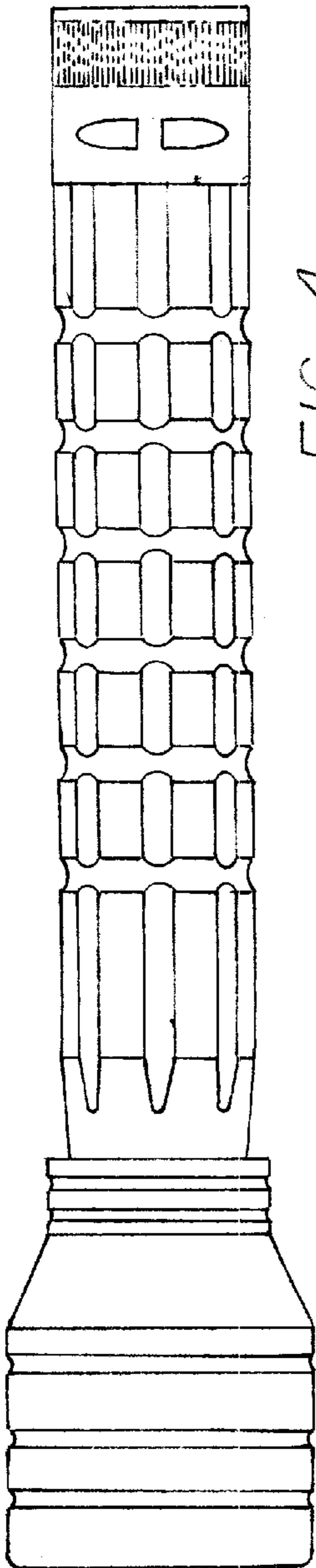


FIG. 4

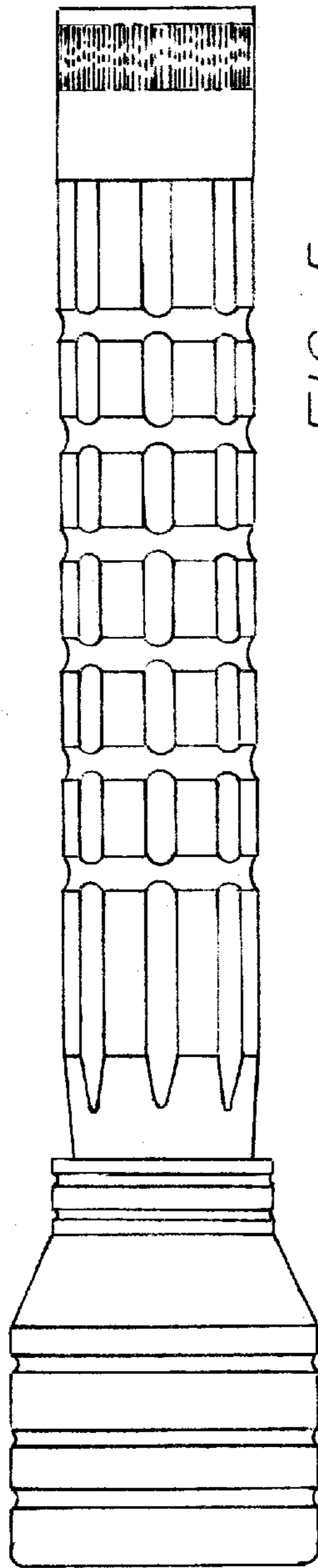


FIG. 5

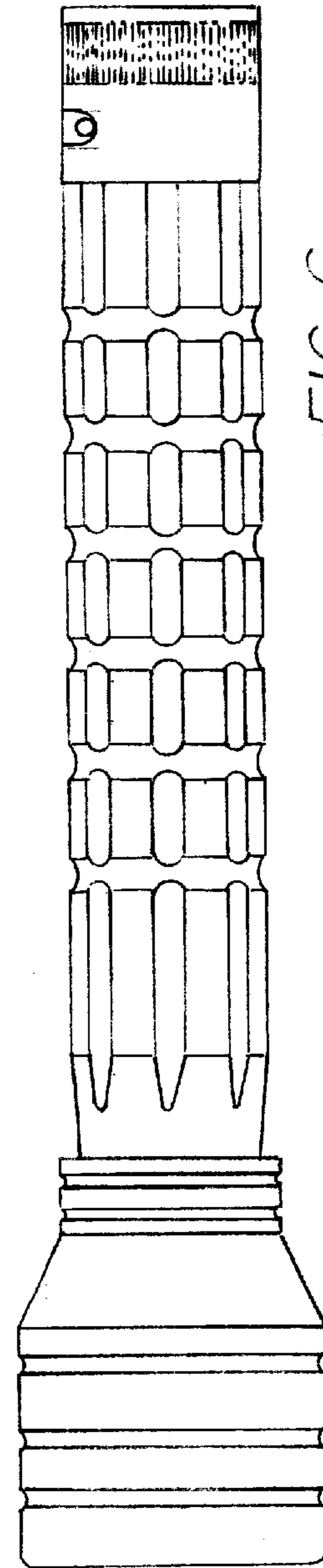


FIG. 6