



US00D531744S

(12) **United States Design Patent** (10) **Patent No.:** **US D531,744 S**
Netzler et al. (45) **Date of Patent:** **** Nov. 7, 2006**

(54) **FLASHLIGHT**

2003/0095403 A1 5/2003 Tang

(75) Inventors: **Sion Netzler**, Newton Aycliffe (GB);
James B. Watson, Fallston, MD (US)

FOREIGN PATENT DOCUMENTS

(73) Assignee: **Black & Decker Inc.**, Newark, DE
(US)

DE	1961166	6/1967
DE	M9604389.9	12/1992
DE	29608888.9	5/1996
DE	M9805667.0	12/1997
DE	40100395.7	8/2000
GB	0683354	11/1995
GB	1312855	5/2003

(**) Term: **14 Years**

(21) Appl. No.: **29/240,065**

* cited by examiner

(22) Filed: **Oct. 7, 2005**

Primary Examiner—Marcus A. Jackson

(51) **LOC (8) Cl.** **26-02**

(74) *Attorney, Agent, or Firm*—Harness, Dickey & Pierce,
P.L.C.

(52) **U.S. Cl.** **D26/43**

(58) **Field of Classification Search** D26/37–50;
362/157, 158, 171–174, 183–208
See application file for complete search history.

(57) **CLAIM**

The ornamental design for a flashlight, as shown and described.

(56) **References Cited**

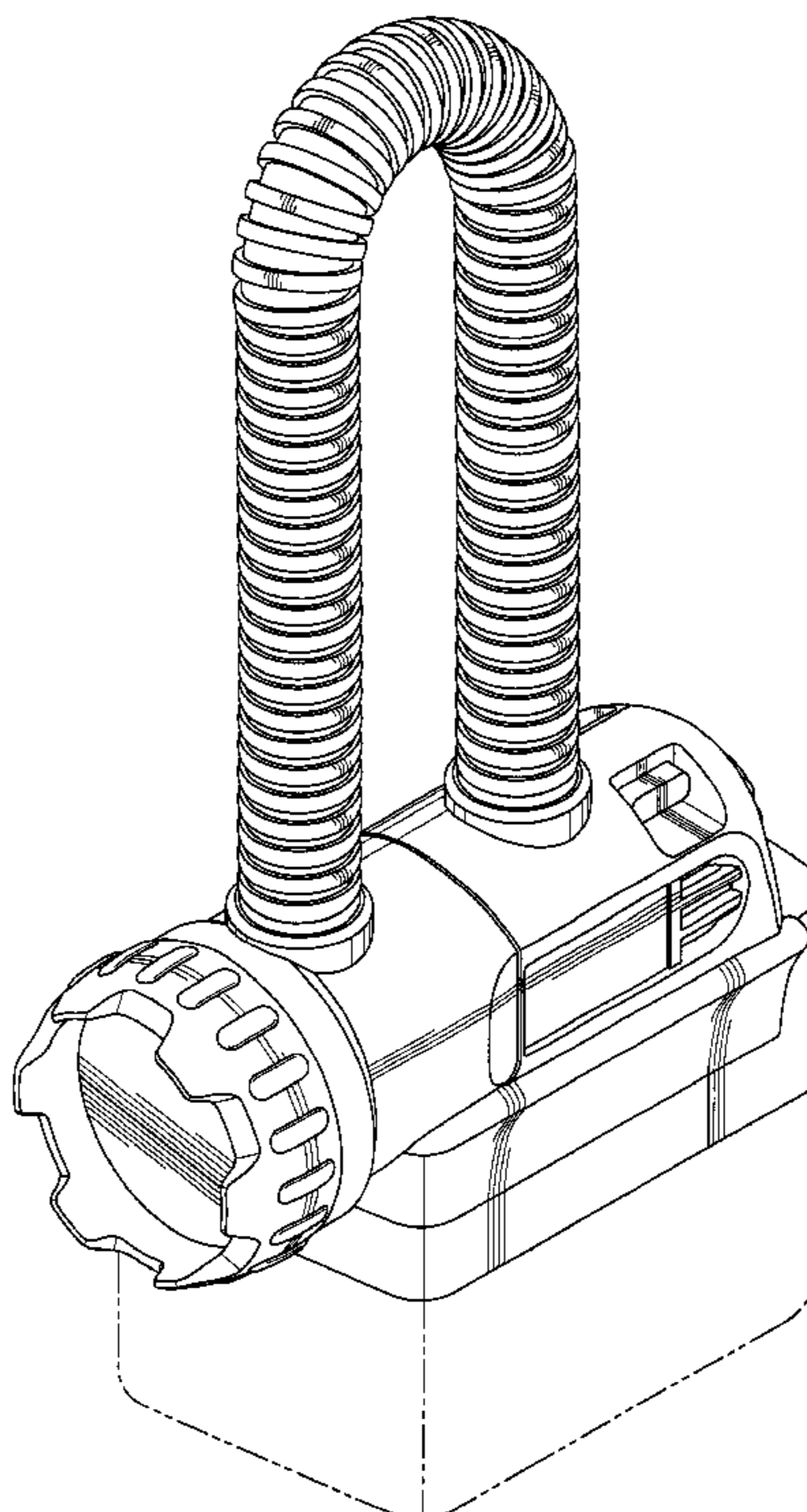
DESCRIPTION

U.S. PATENT DOCUMENTS

D369,874 S	5/1996	Santarsiero	
5,521,803 A	5/1996	Eckert et al.	
D372,318 S	7/1996	Szymanski	
D373,646 S	9/1996	Szymanski et al.	
5,567,115 A	10/1996	Carbone	
D388,205 S	* 12/1997	Rorke et al.	D26/43
D388,206 S	12/1997	Carbone et al.	
D404,157 S	* 1/1999	Carbone	D26/43
D408,566 S	* 4/1999	Welsh et al.	D26/43
5,906,426 A	5/1999	Farrington et al.	
D413,175 S	* 8/1999	Kaiser et al.	D26/43
D427,697 S	7/2000	Brazell et al.	
D479,351 S	9/2003	Ashfield	
D490,921 S	6/2004	Ashfield et al.	

FIG. 1 is a perspective view of a flashlight showing our/my new design;
 FIG. 2 is a right elevational view thereof;
 FIG. 3 is a left elevational view thereof;
 FIG. 4 is a top plan view thereof;
 FIG. 5 is a bottom plan view thereof;
 FIG. 6 is front elevational view thereof; and,
 FIG. 7 is a rear elevational view thereof.
 It will be understood that the bottom of the flashlight is not seen during normal use. Also, in the above drawings, any broken line illustration is not part of the design sought to be patented.

1 Claim, 5 Drawing Sheets



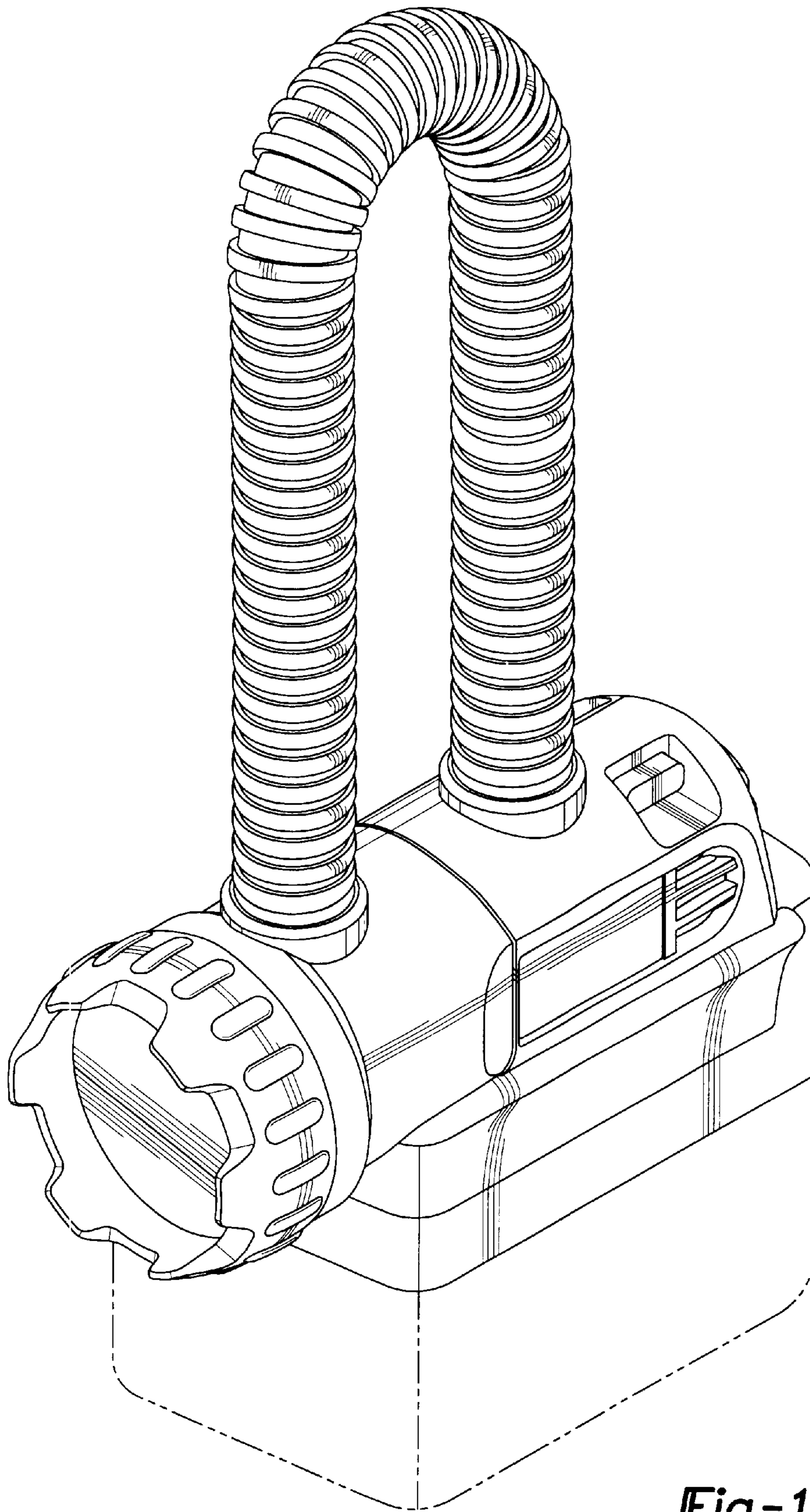


Fig-1

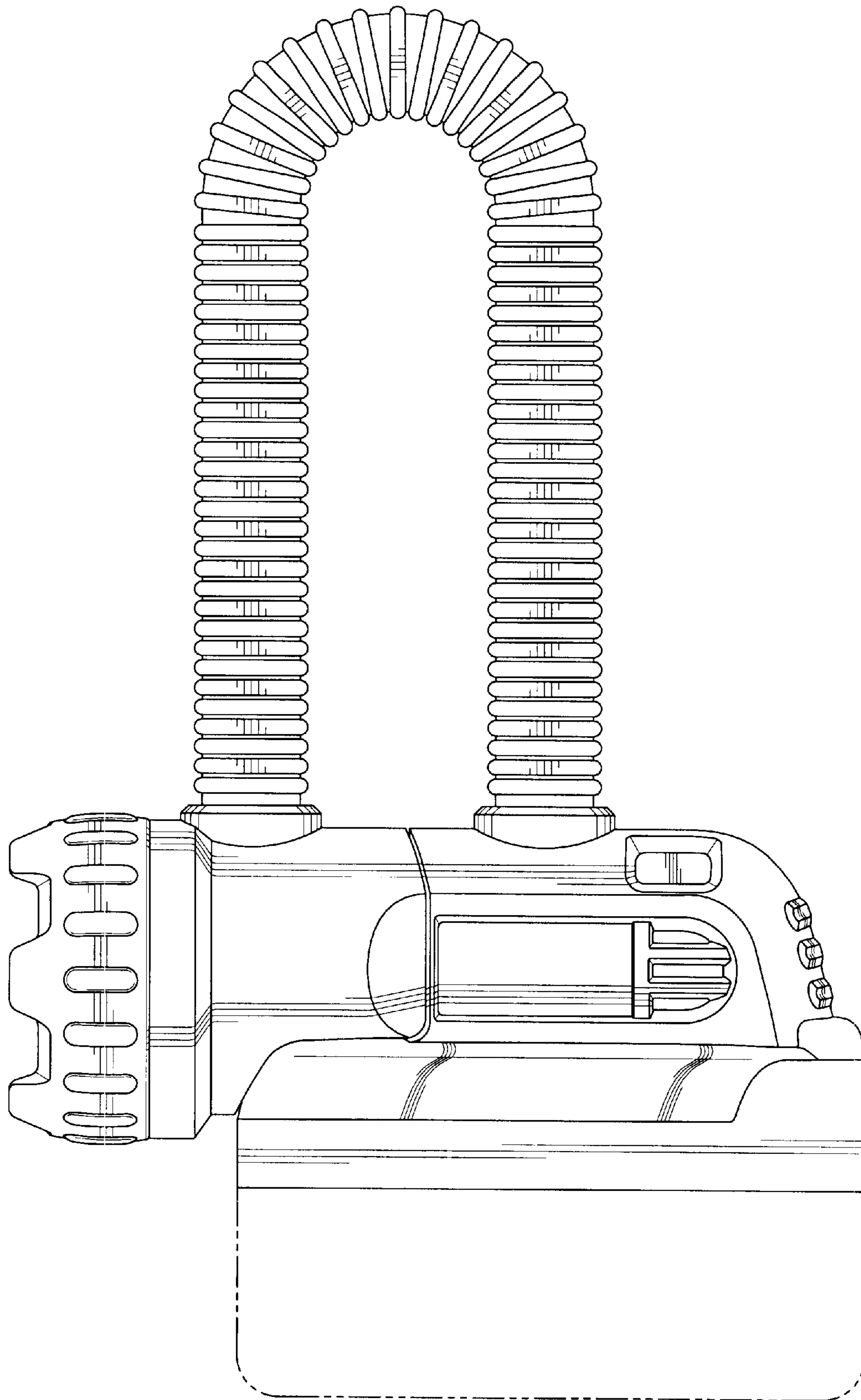


Fig-2

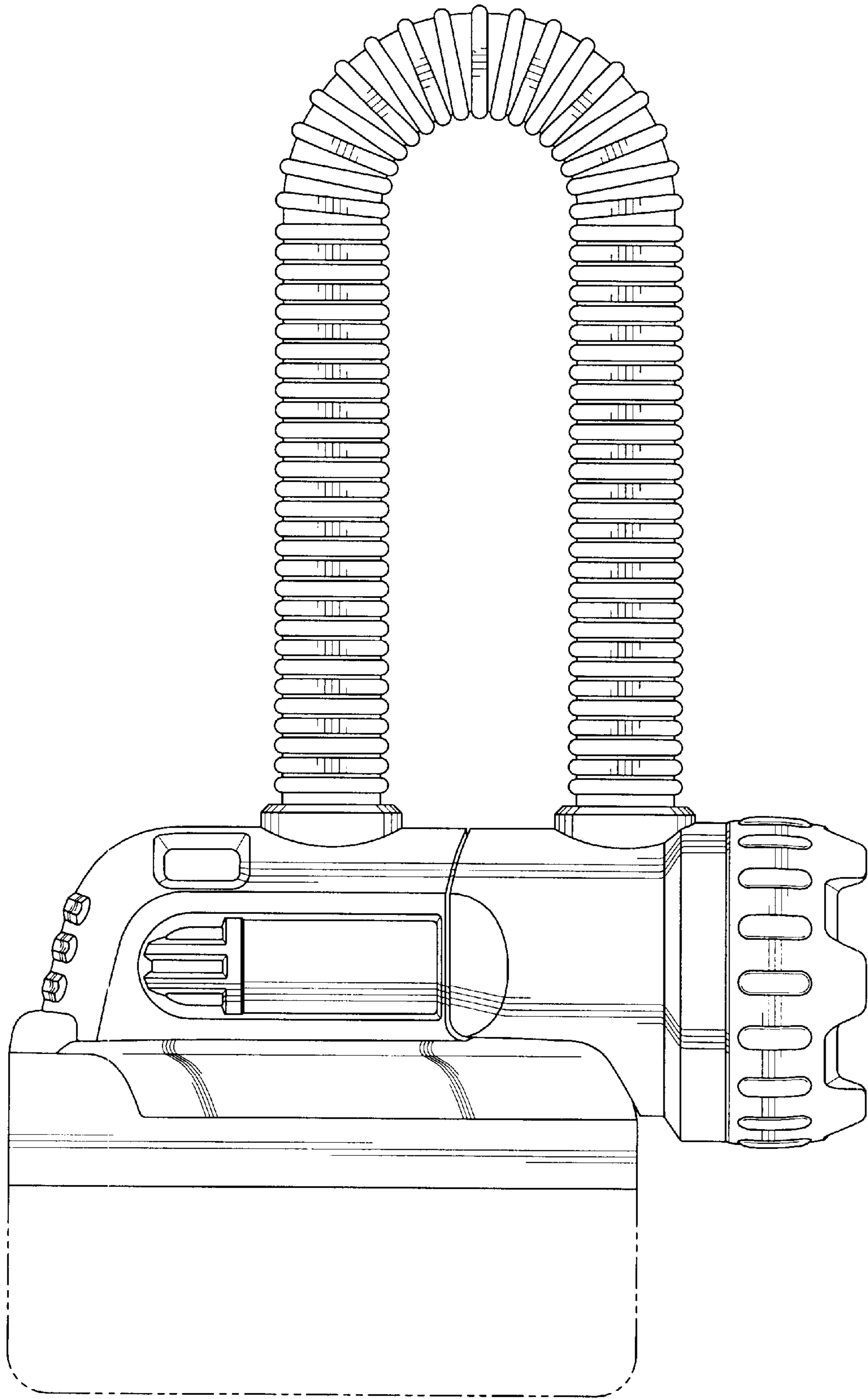


Fig-3

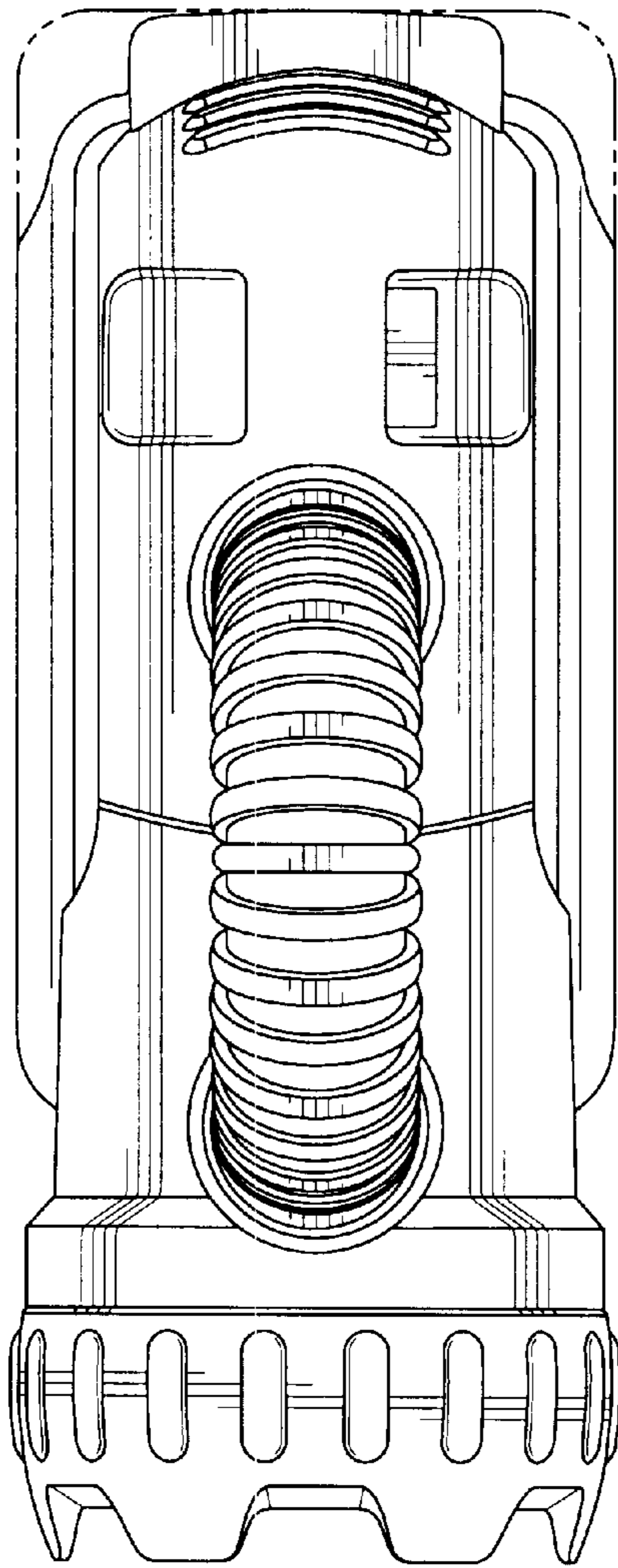


Fig-4

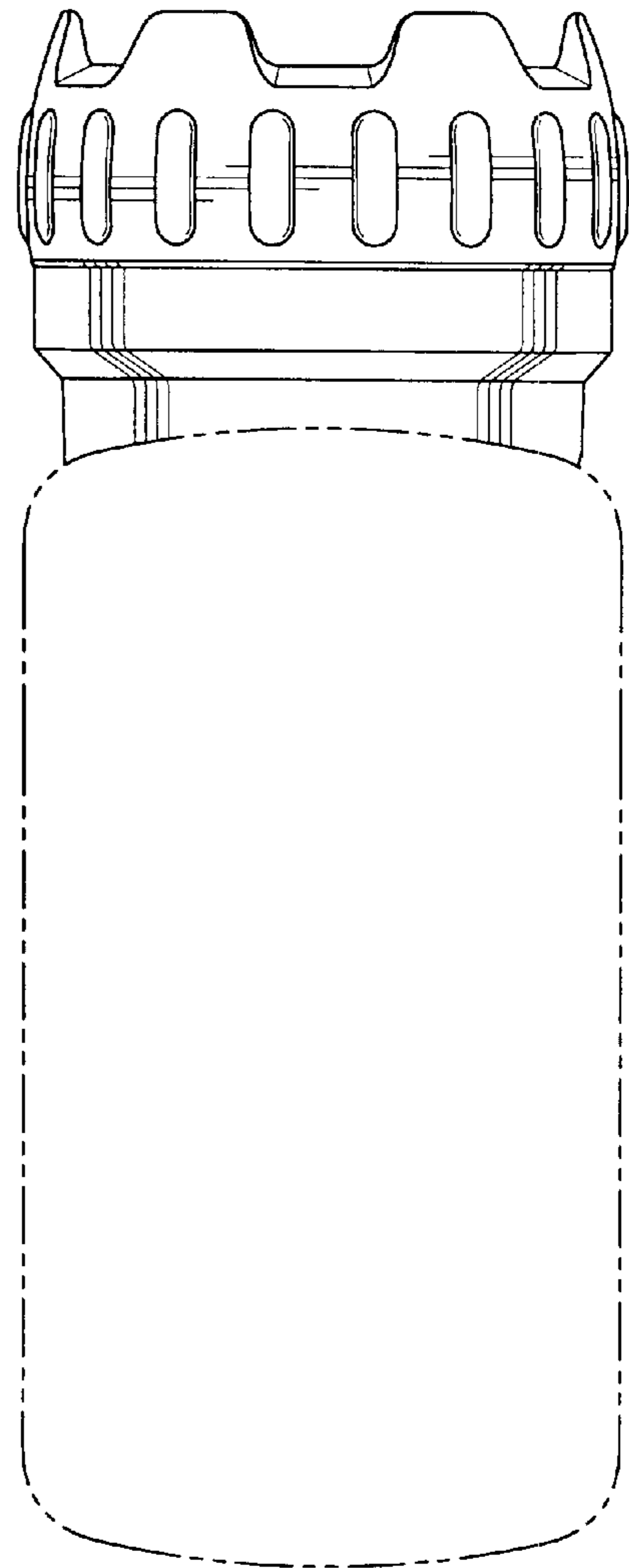


Fig-5

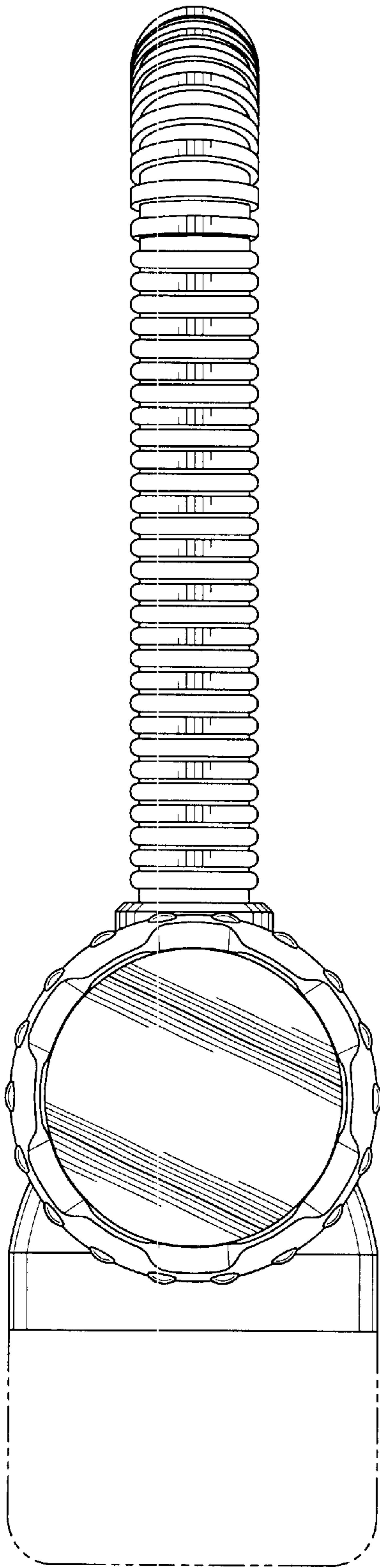


Fig-6

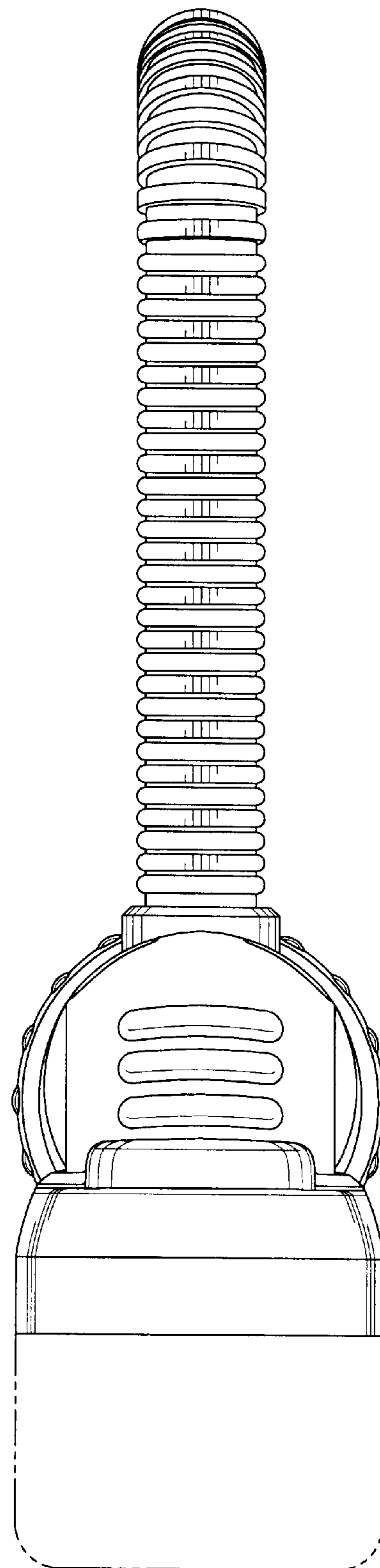


Fig-7