



US00D531743S

(12) **United States Design Patent**
Opolka

(10) **Patent No.:** **US D531,743 S**

(45) **Date of Patent:** **** Nov. 7, 2006**

(54) **EXTENDIBLE HEAD FLASHLIGHT**

(75) Inventor: **Rainer Opolka**, Solingen (DE)

(73) Assignee: **Zweibruder Optoelectronics GmbH**,
Solingen (DE)

(**) Term: **14 Years**

(21) Appl. No.: **29/174,254**

(22) Filed: **Jan. 14, 2003**

(30) **Foreign Application Priority Data**

Jul. 16, 2002 (DE) 4 02 06 037

(51) **LOC (8) Cl.** **26-02**

(52) **U.S. Cl.** **D26/37**

(58) **Field of Classification Search** D26/37-50;
362/157, 158, 171-174, 183-208
See application file for complete search history.

(56) **References Cited**

U.S. PATENT DOCUMENTS

D429,831 S * 8/2000 Ting D26/37

D447,258 S * 8/2001 Zeller D26/37
D495,074 S * 8/2004 Oas D26/37
D504,529 S * 4/2005 Vickers et al. D26/37

* cited by examiner

Primary Examiner—Marcus A. Jackson

(74) *Attorney, Agent, or Firm*—Andrew Wilford

(57) **CLAIM**

The ornamental design for an extendible head flashlight, as shown and described.

DESCRIPTION

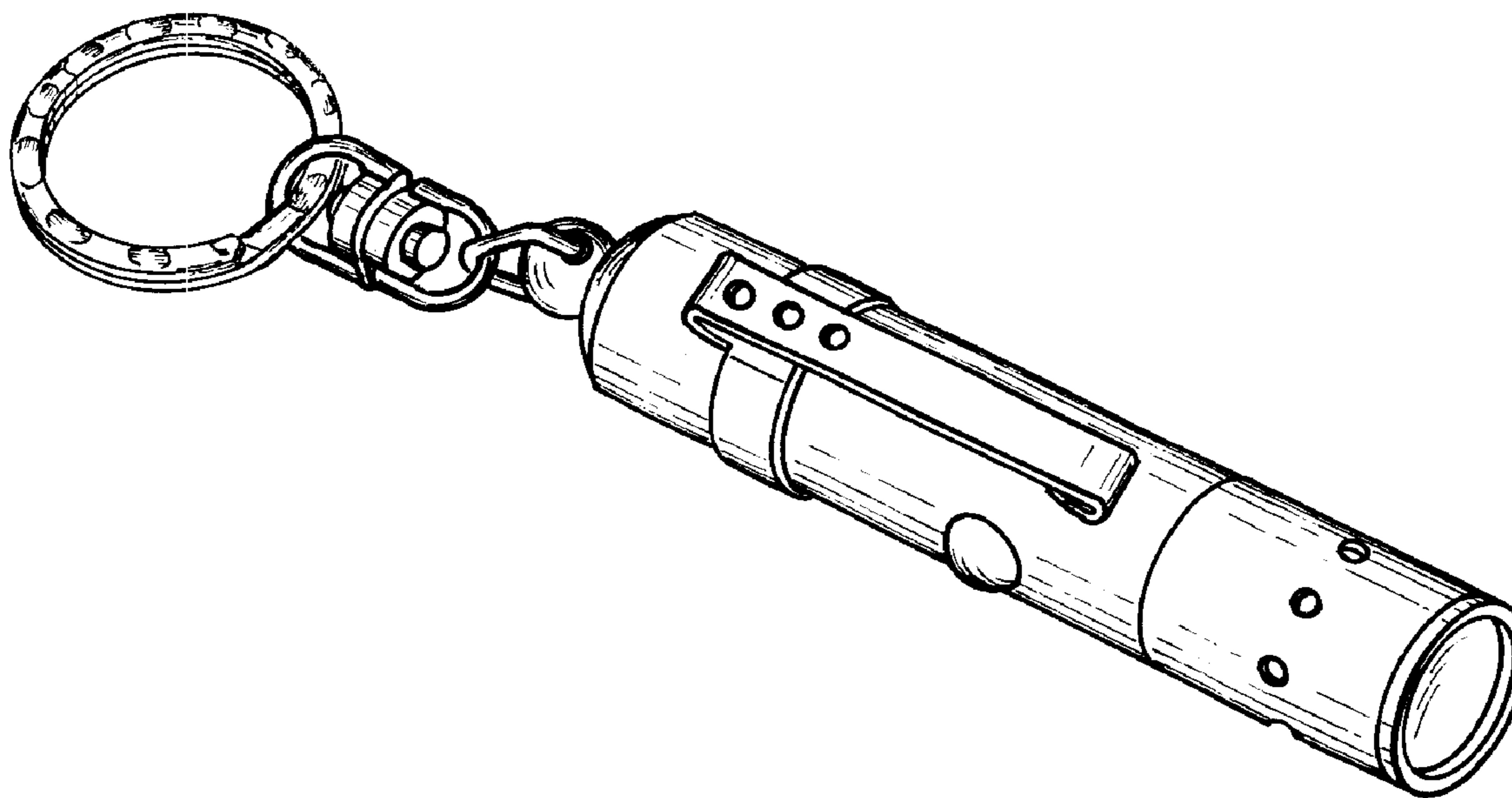
FIG. 1 is a front, top, left-side perspective view of an extendible head flashlight showing my new design;

FIG. 2 is front, top, left-side perspective view thereof with the head extended;

FIG. 3 is a bottom perspective view thereof with the head retracted and the key chain omitted; and,

FIG. 4 is a right side perspective view thereof with the key chain broken away.

1 Claim, 3 Drawing Sheets



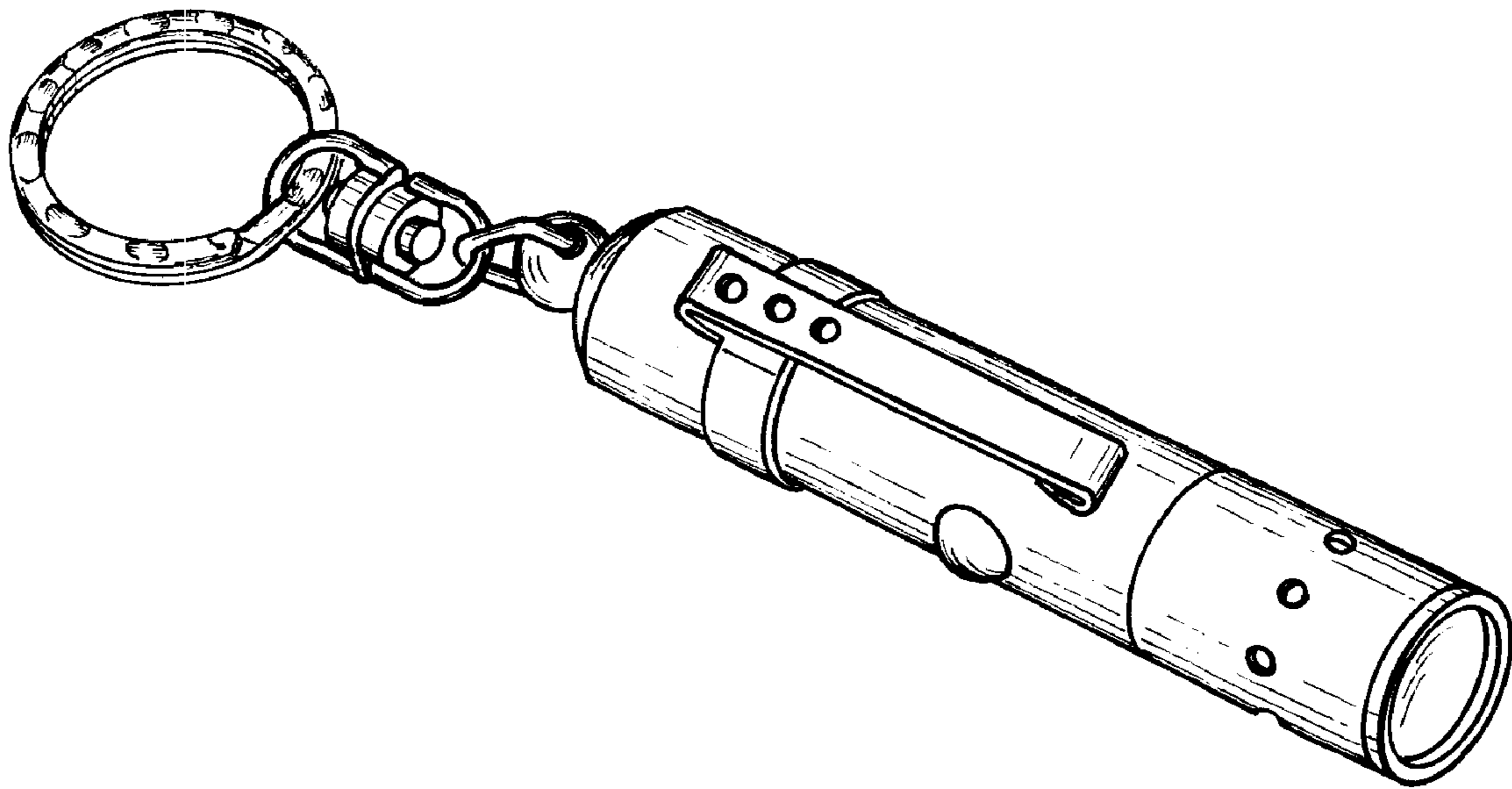


FIG. 1

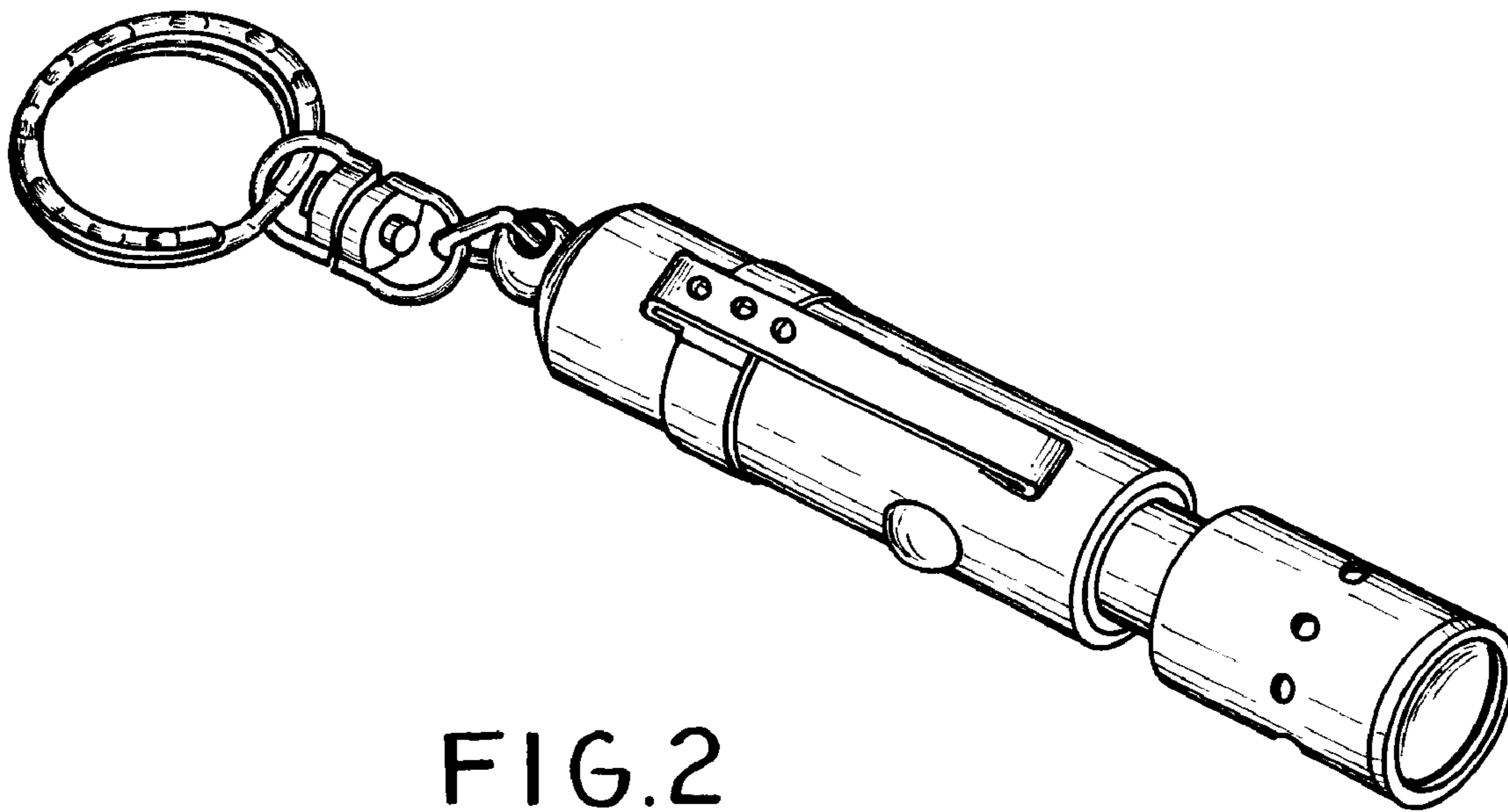


FIG. 2

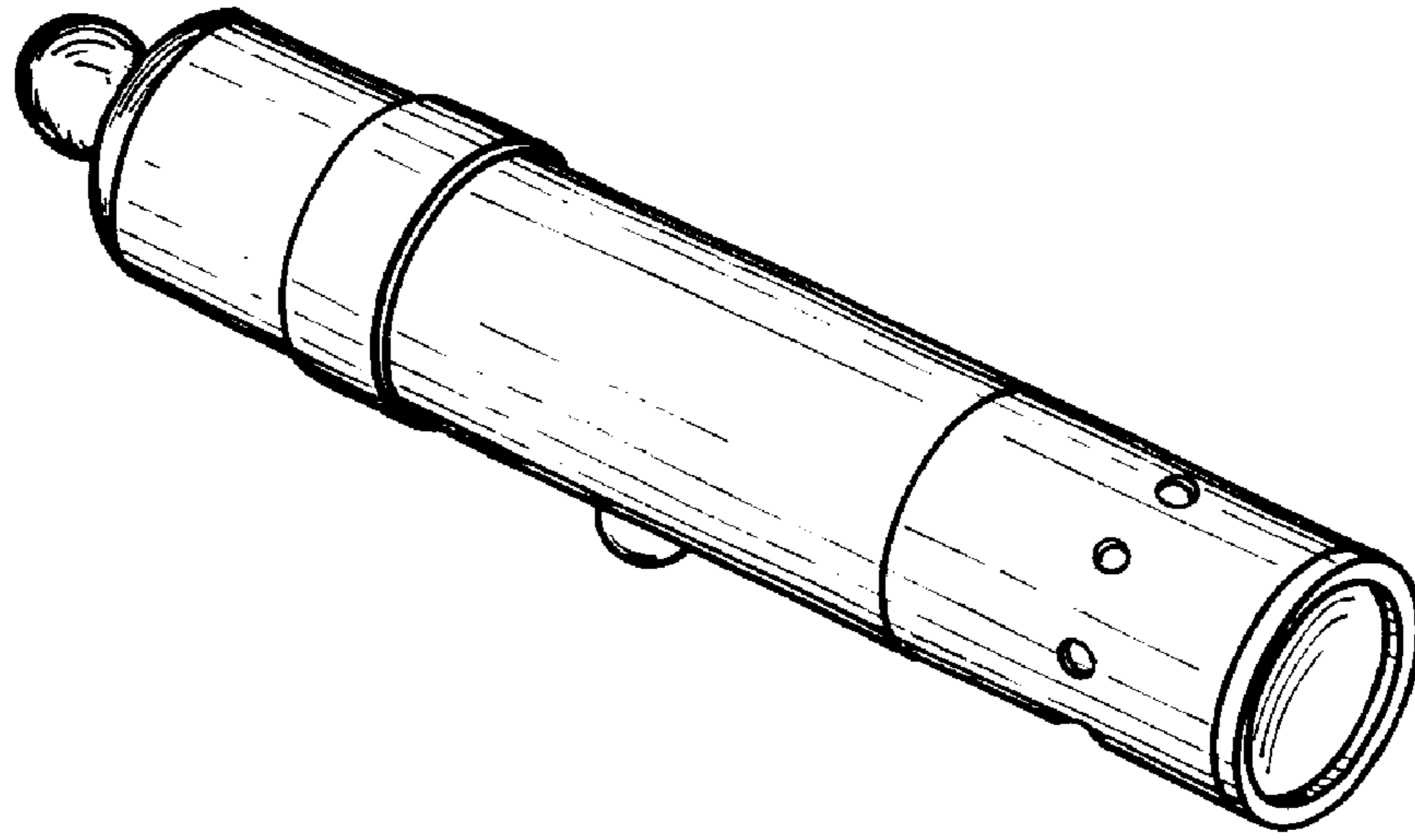


FIG. 3

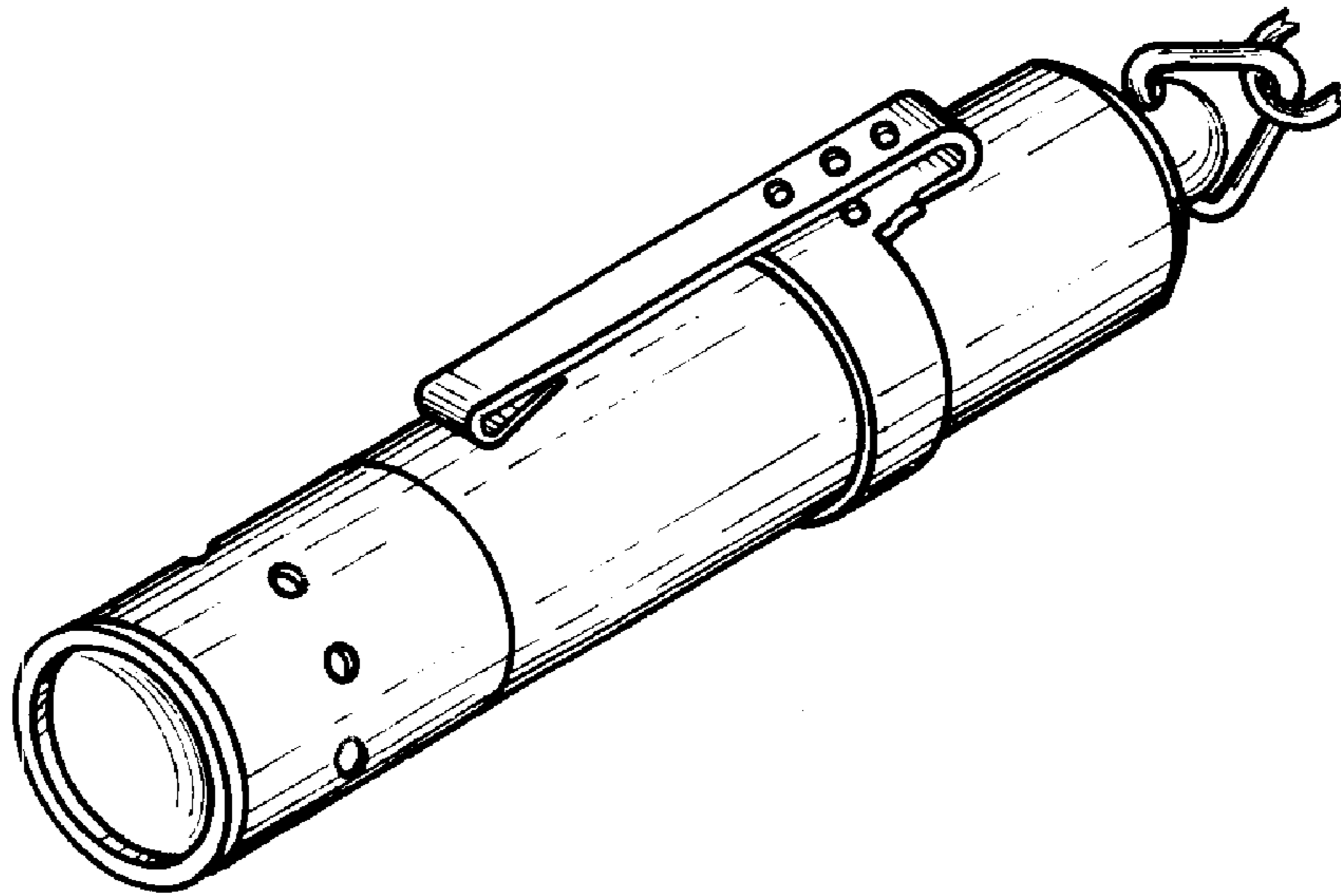


FIG. 4