



US00D531741S

(12) **United States Design Patent** (10) **Patent No.:** **US D531,741 S**
Takahashi (45) **Date of Patent:** **** Nov. 7, 2006**

(54) **FLUORESCENT LAMP**

JP D1098321 11/2000

(75) Inventor: **Aiko Takahashi**, Tokyo (JP)

(73) Assignee: **Toshiba Lighting & Technology Corporation**, Tokyo (JP)

(**) Term: **14 Years**

(21) Appl. No.: **29/243,402**

(22) Filed: **Nov. 23, 2005**

(30) **Foreign Application Priority Data**

May 23, 2005 (JP) 2005-014757

(51) **LOC (8) Cl.** **26-04**

(52) **U.S. Cl.** **D26/2**

(58) **Field of Classification Search** D26/1-4;
362/459-468, 475-478, 485-487

See application file for complete search history.

(56) **References Cited**

U.S. PATENT DOCUMENTS

- D471,651 S * 3/2003 Bobel D26/2
- D479,886 S * 9/2003 Kakuno et al. D26/2
- D480,486 S * 10/2003 Kakuno et al. D26/2
- D494,688 S * 8/2004 Van de Ven et al. D26/2
- D506,025 S * 6/2005 Chen D27/148
- D506,840 S * 6/2005 Van de Ven et al. D26/2

FOREIGN PATENT DOCUMENTS

- JP 1037219 4/1999
- JP D1059852 10/1999

OTHER PUBLICATIONS

Toshiba's Lamps General Catalogue, White Lamps, 2005 / Toshiba Lighting & Technology, Japan / pp. 10.
Philips' Lamp Catalogue, Darkroom Lamps / pp. D6.
"Osram's Launched a lookalike CFR with the exact dimensions of a GLS lamp" Lighting Equipment News, May 1999 / pp. 11.

* cited by examiner

Primary Examiner—Marcus A. Jackson

(74) *Attorney, Agent, or Firm*—J.C. Patents

(57) **CLAIM**

The ornamental design for a fluorescent lamp, as shown and described.

DESCRIPTION

FIG. 1 is a perspective view of a fluorescent lamp showing my new design.

FIG. 2 is a front view thereof.

FIG. 3 is a rear view thereof.

FIG. 4 is a left side view thereof.

FIG. 5 is a right side view thereof.

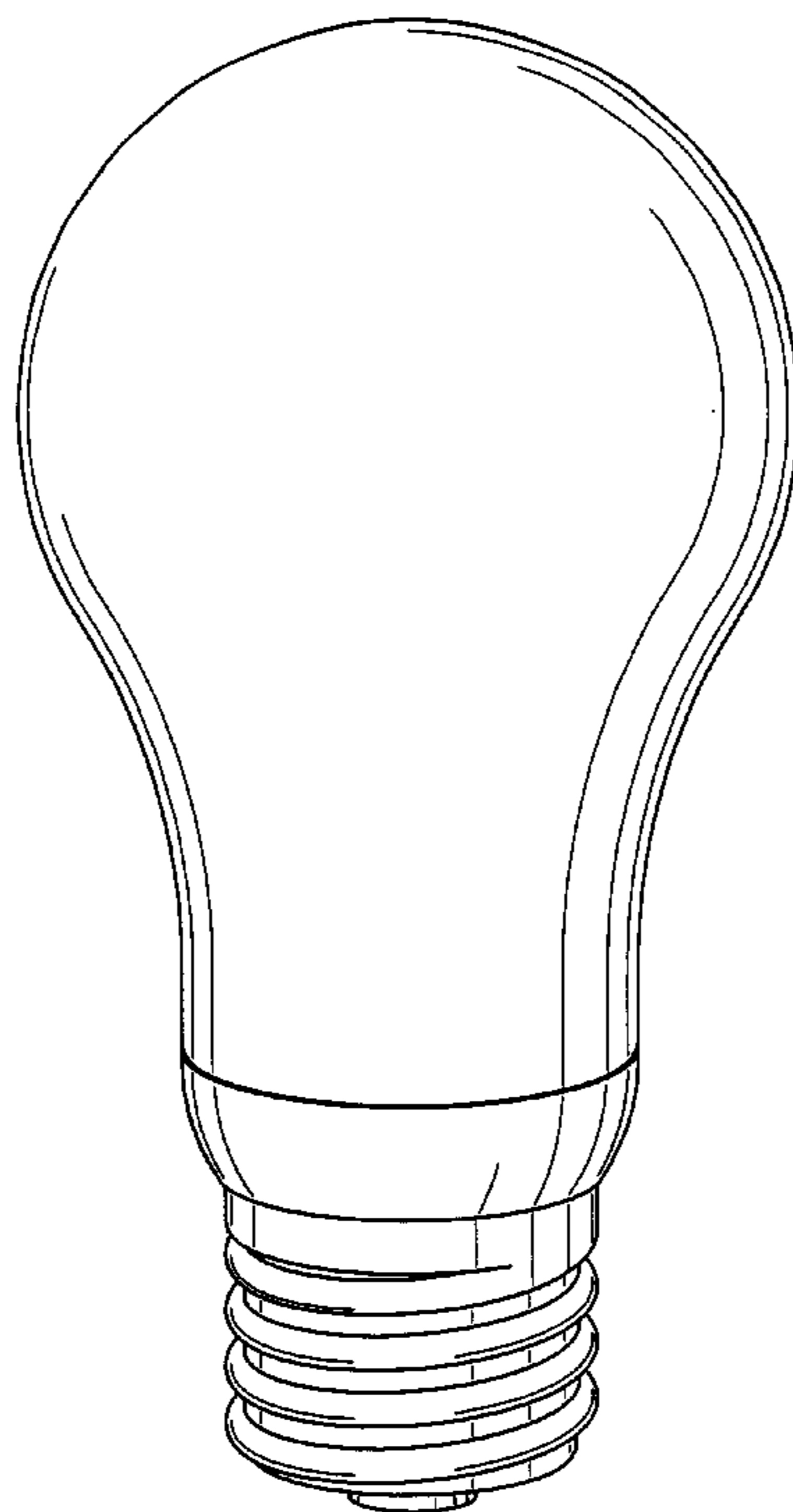
FIG. 6 is a top plan view thereof.

FIG. 7 is a bottom plan view thereof.

FIG. 8 is a cross-sectional view taken along line 8—8 in FIG. 2 with the internal parts omitted; and,

FIG. 9 is a cross-sectional view taken along line 9—9 in FIG. 2 with the internal parts omitted.

1 Claim, 9 Drawing Sheets



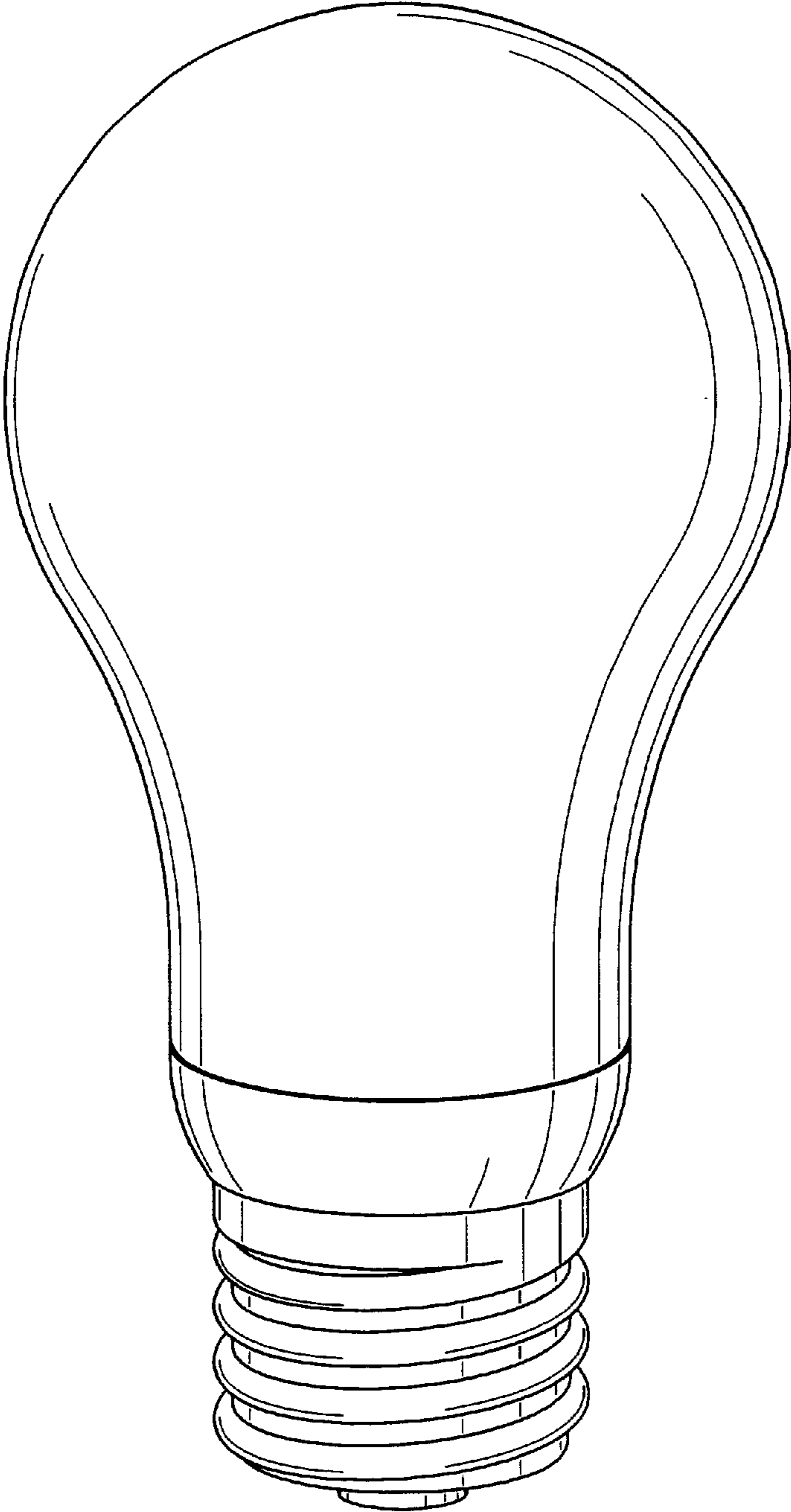


FIG. 1

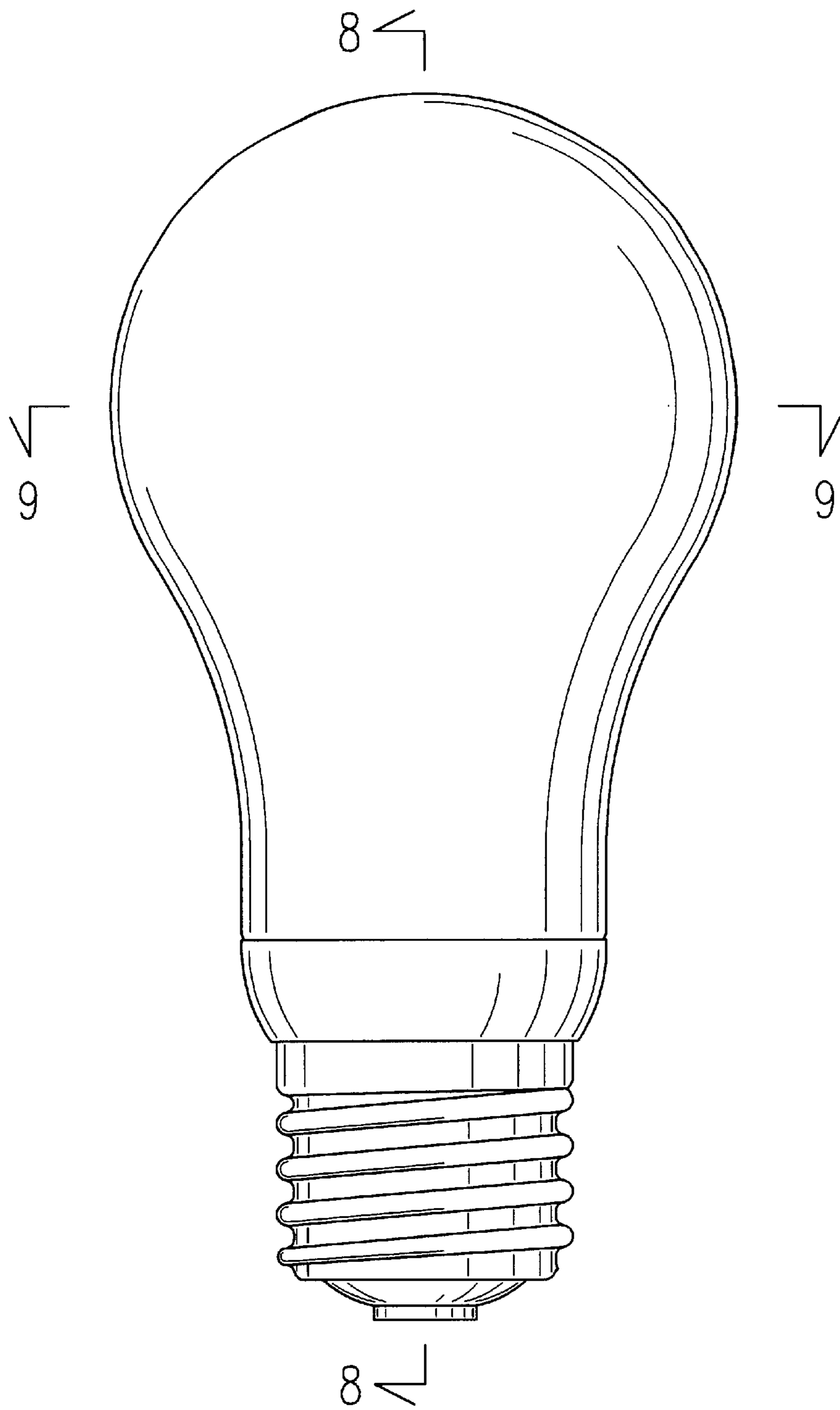


FIG. 2

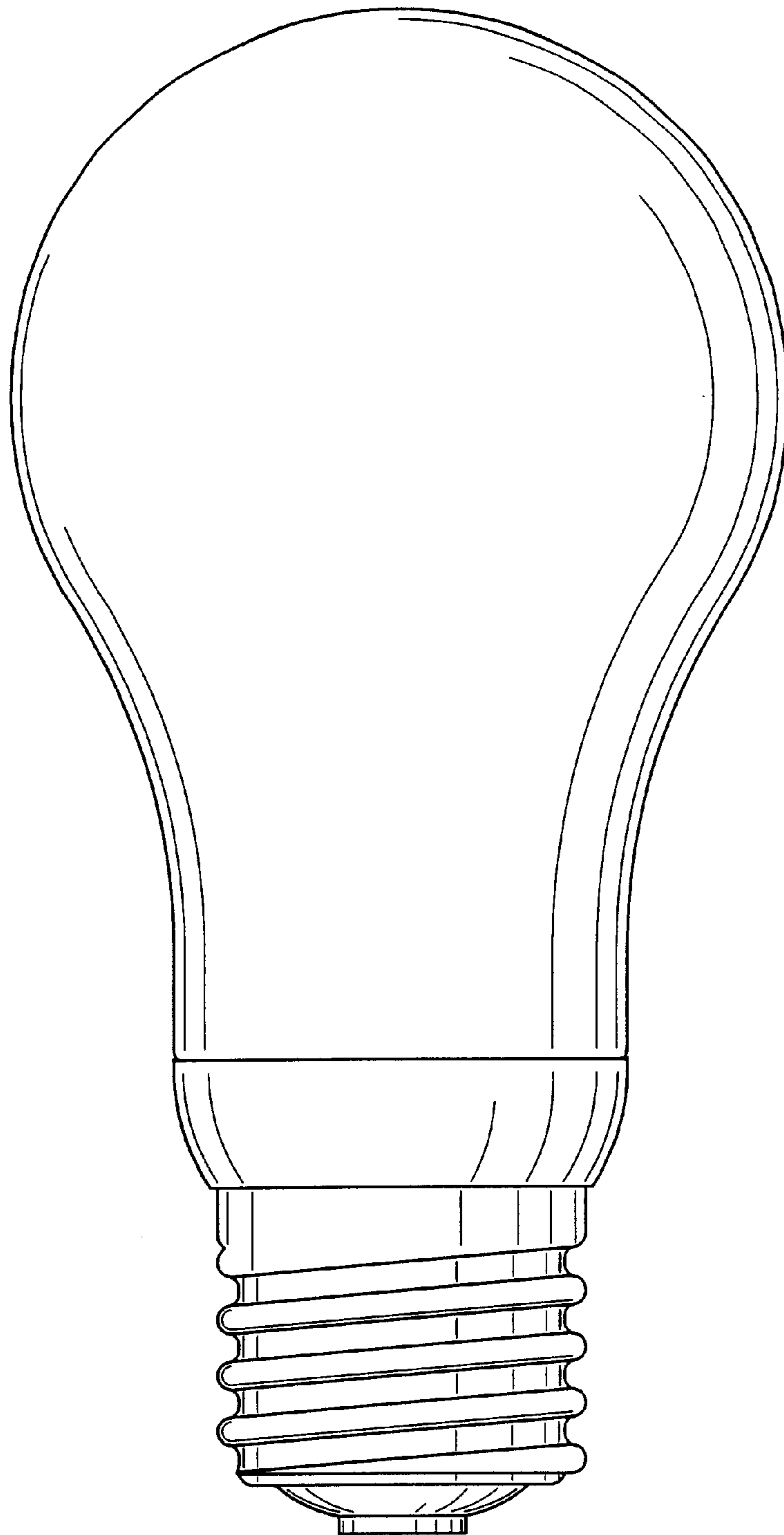


FIG. 3

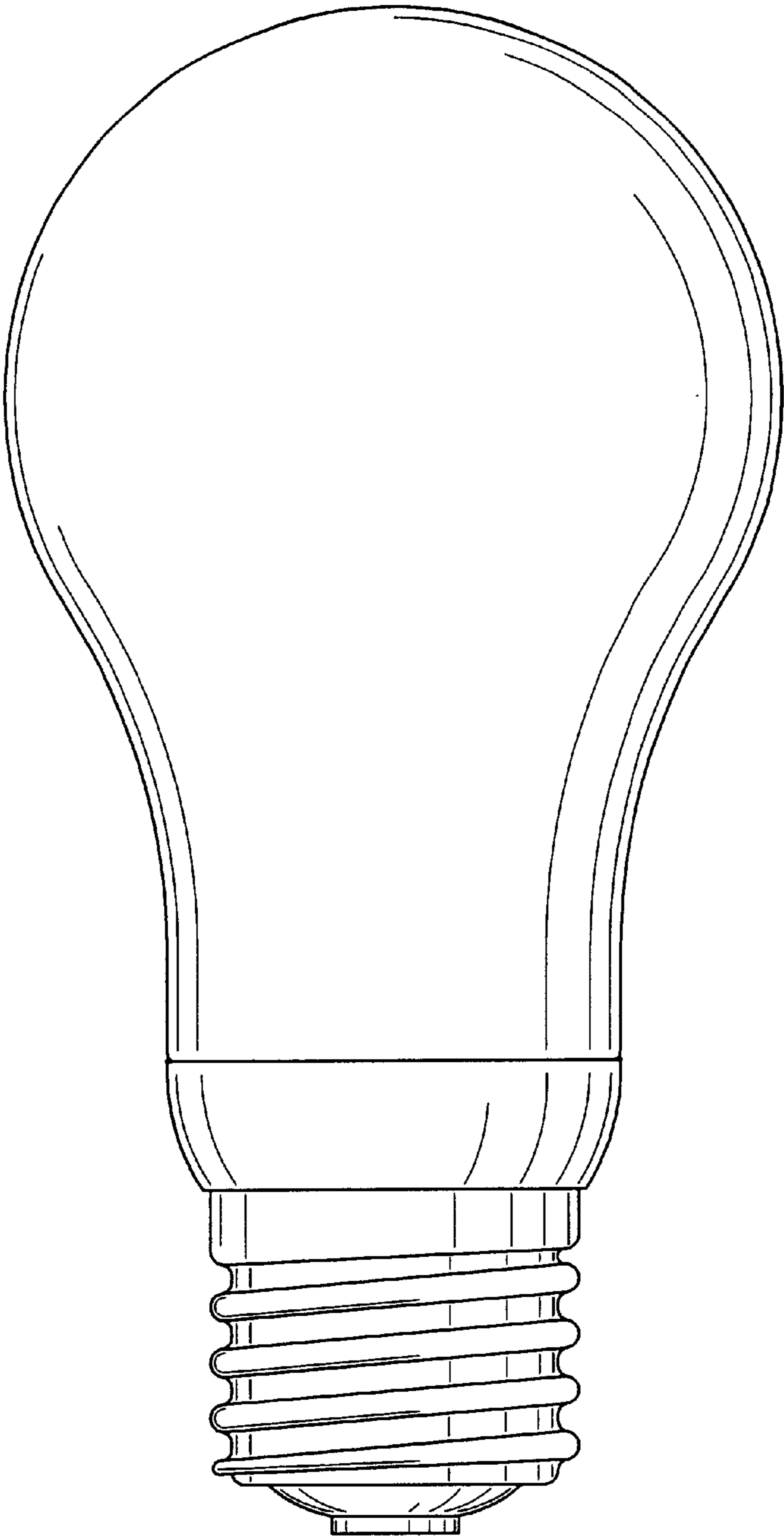


FIG. 4

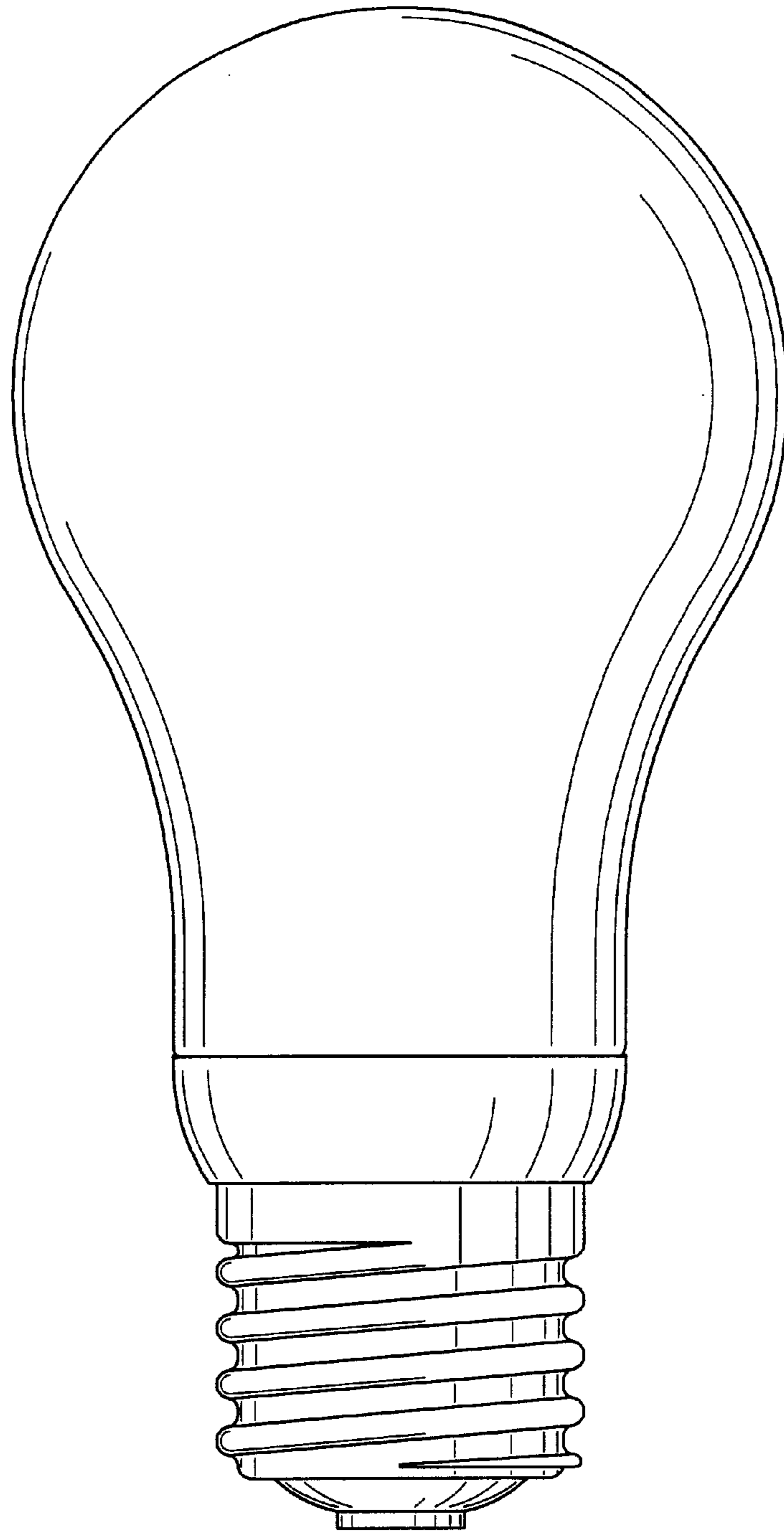


FIG. 5

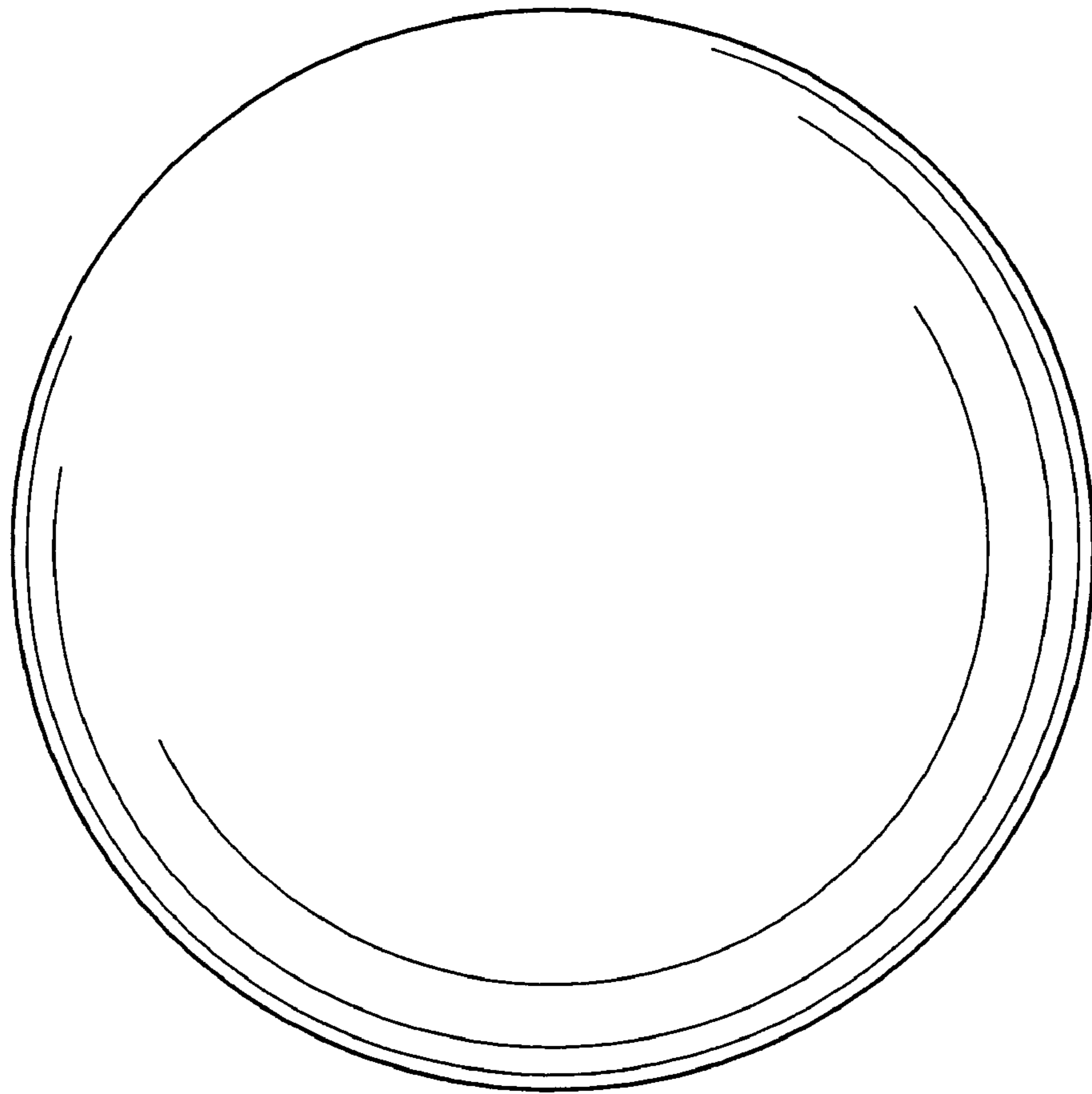


FIG. 6

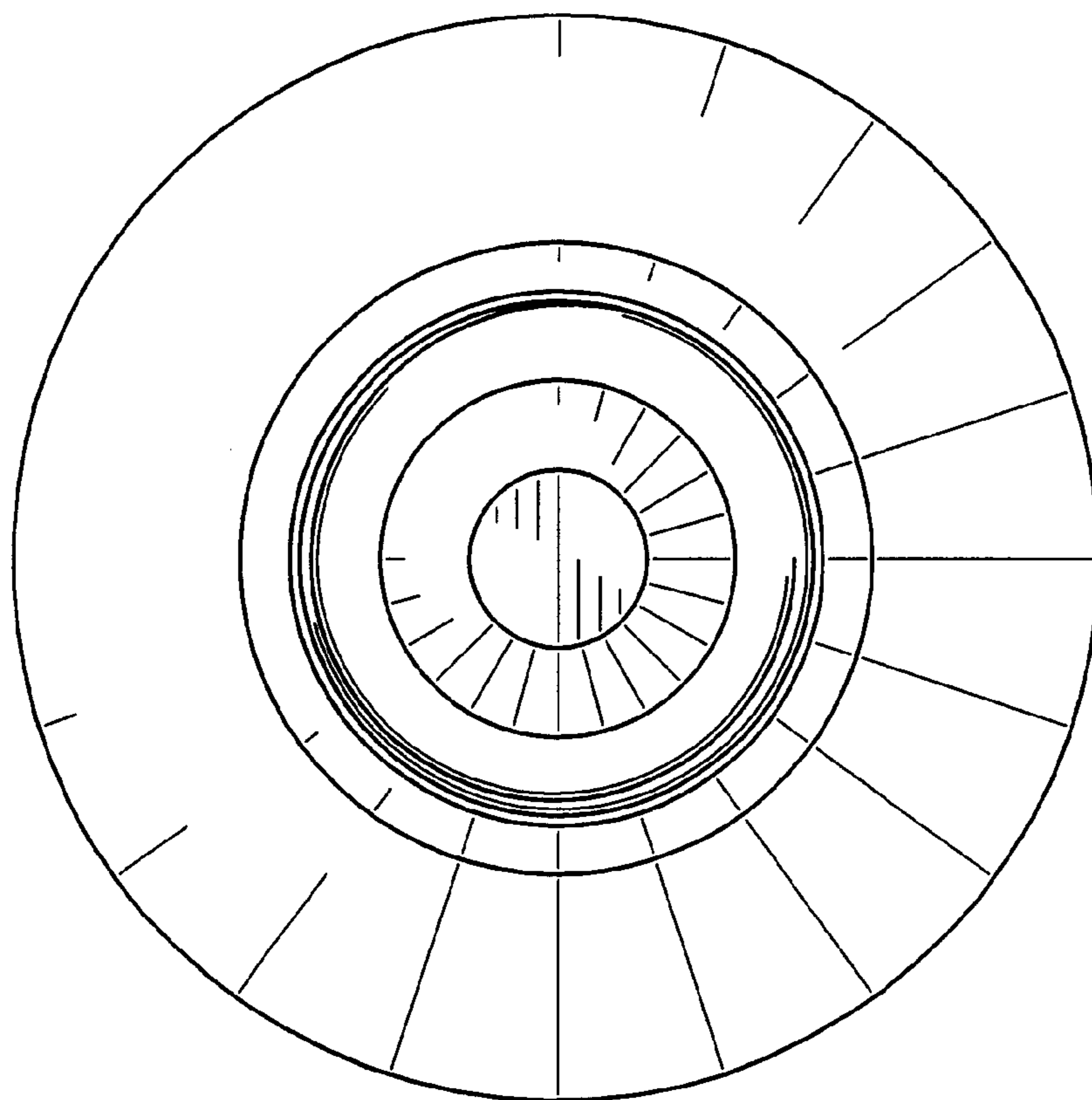


FIG. 7

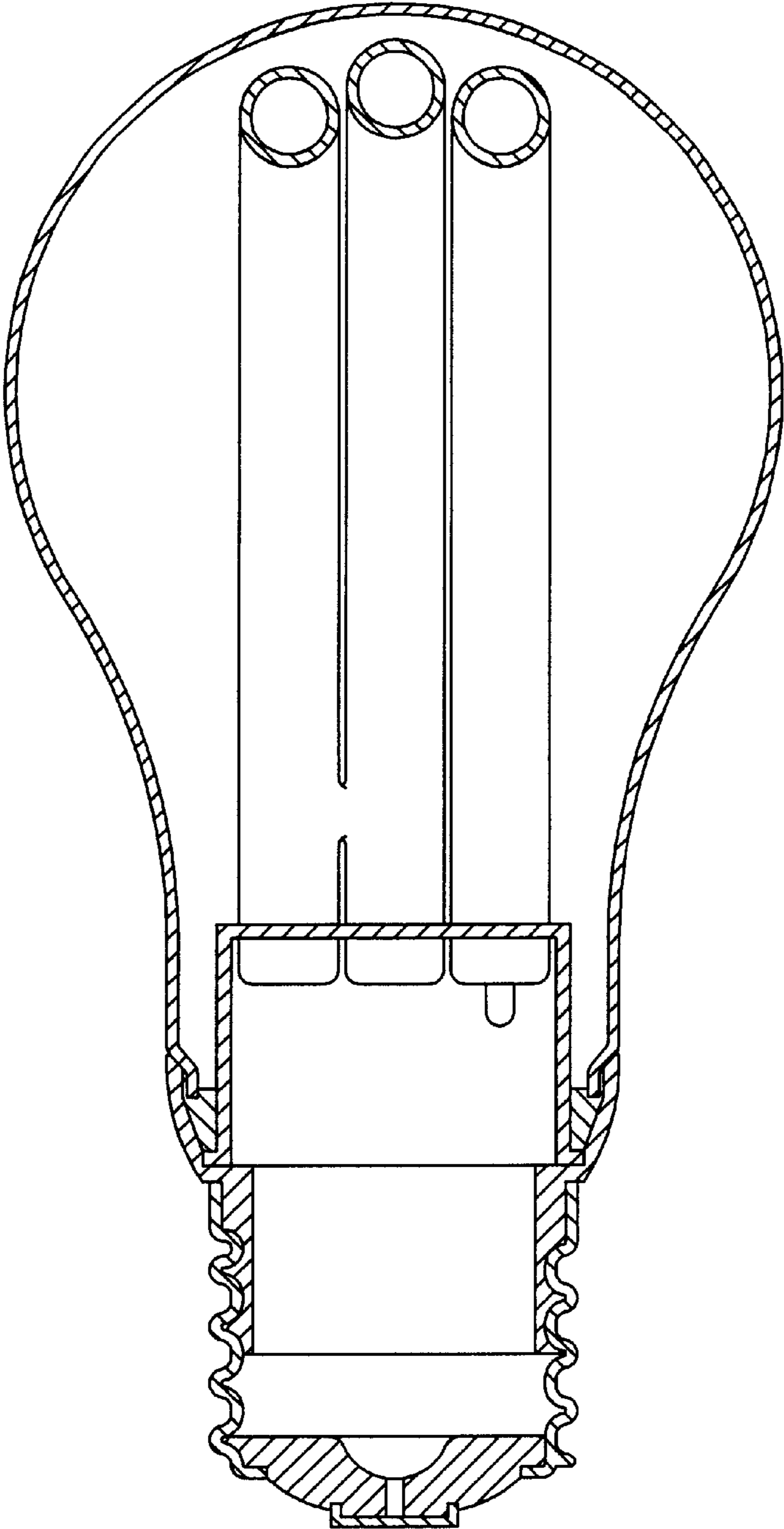


FIG. 8

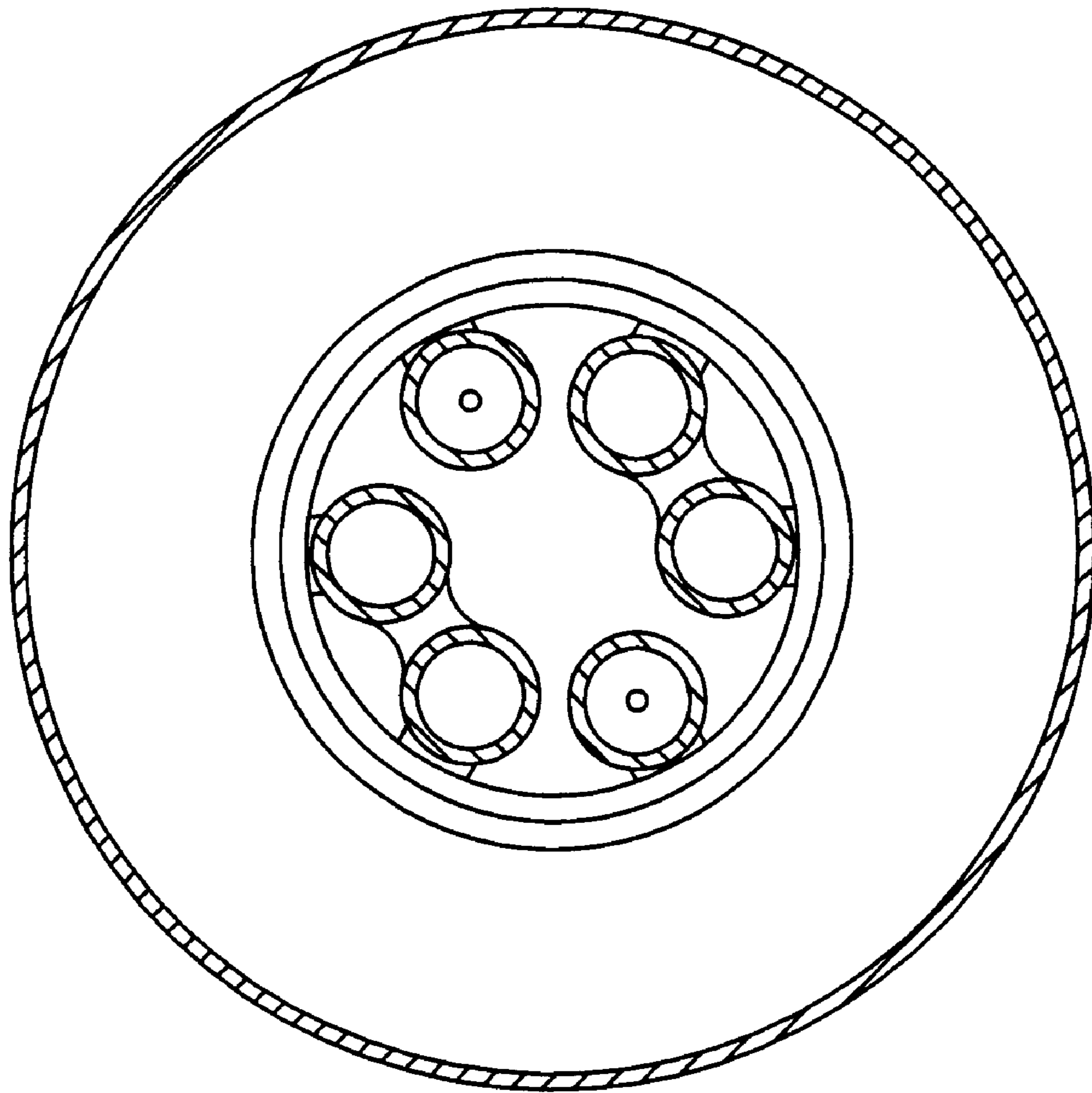


FIG. 9