



US00D531740S

(12) **United States Design Patent** (10) **Patent No.:** **US D531,740 S**
Maxik (45) **Date of Patent:** **** Nov. 7, 2006**

(54) **LED LIGHT BULB**

(75) Inventor: **Fredric S. Maxik**, Plantation, FL (US)

(73) Assignee: **Lighting Science Group Corporation**,
Dallas, TX (US)

(**) Term: **14 Years**

(21) Appl. No.: **29/235,514**

(22) Filed: **Aug. 2, 2005**

(51) **LOC (8) Cl.** **26-04**

(52) **U.S. Cl.** **D26/2**

(58) **Field of Classification Search** D26/1-4;
313/313, 315, 317, 318, 491, 493; 315/52,
315/53, 56, 57, 58

See application file for complete search history.

(56) **References Cited**

U.S. PATENT DOCUMENTS

4,423,473 A 12/1983 Kirkley
4,455,562 A 6/1984 Dolan et al.
5,136,483 A 8/1992 Schöniger et al.
5,162,696 A 11/1992 Goodrich

(Continued)

FOREIGN PATENT DOCUMENTS

DE 101 05 622 A1 8/2002
EP 0 441 965 A1 8/1991
EP 0 939 429 A1 9/1999
FR 2 586 844 3/1987
JP 10-305453 11/1998
JP 2001 243807 9/2001
JP 2001 325809 11/2001
WO WO 03/034458 A2 4/2003
WO WO 2004/003869 1/2004

OTHER PUBLICATIONS

Fredric S. Maxik, U.S. Appl. No. 60/554,469, filed Mar. 18, 2004 for "Lightbulb Using Electronically Activated Light Emitting Elements and Method of Making Same".

Fredric S. Maxik, U.S. Appl. No. 60/565,268, filed Apr. 23, 2004 for "Electronic Light Generating Element Lightbulb".
Fredric S. Maxik, U.S. Appl. No. 60/567,082, filed Apr. 30, 2004 for "Wide Angle Light Dispersion Electronically Activated Lightbulb and Method of Making Same".

Fredric S. Maxik, U.S. Appl. No. 60/567,226, filed Apr. 30, 2004 for "Lightbulb Using Electronic Light Generating Sources".

Fredric S. Maxik and Catherina G.M. Friderici, U.S. Appl. No. 29/224,334, filed Feb. 28, 2005 for "Flashlight".

Fredric S. Maxik and Catherina G.M. Friderici, U.S. Appl. No. 29/224,333, filed Feb. 28, 2005 for "Floodlight".

Fredric S. Maxik, U.S. Appl. No. 10/915,137, filed Aug. 9, 2004 for "System and Method for Providing Multi-functional Lighting Using High-Efficiency Lighting Elements in an Environment".

Fredric S. Maxik, U.S. Appl. No. 10/915,138, filed Aug. 9, 2004 for "Light Bulb Having Surfaces for Reflecting Light Produced by Electronic Light Generating Sources".

Fredric S. Maxik, U.S. Appl. No. 10/915,278, filed Aug. 9, 2004 for "Lighting Element Using Electronically Activated Light Emitting Elements and Method of Making Same".

(Continued)

Primary Examiner—Marcus A. Jackson
(74) *Attorney, Agent, or Firm*—Haynes and Boone, LLP

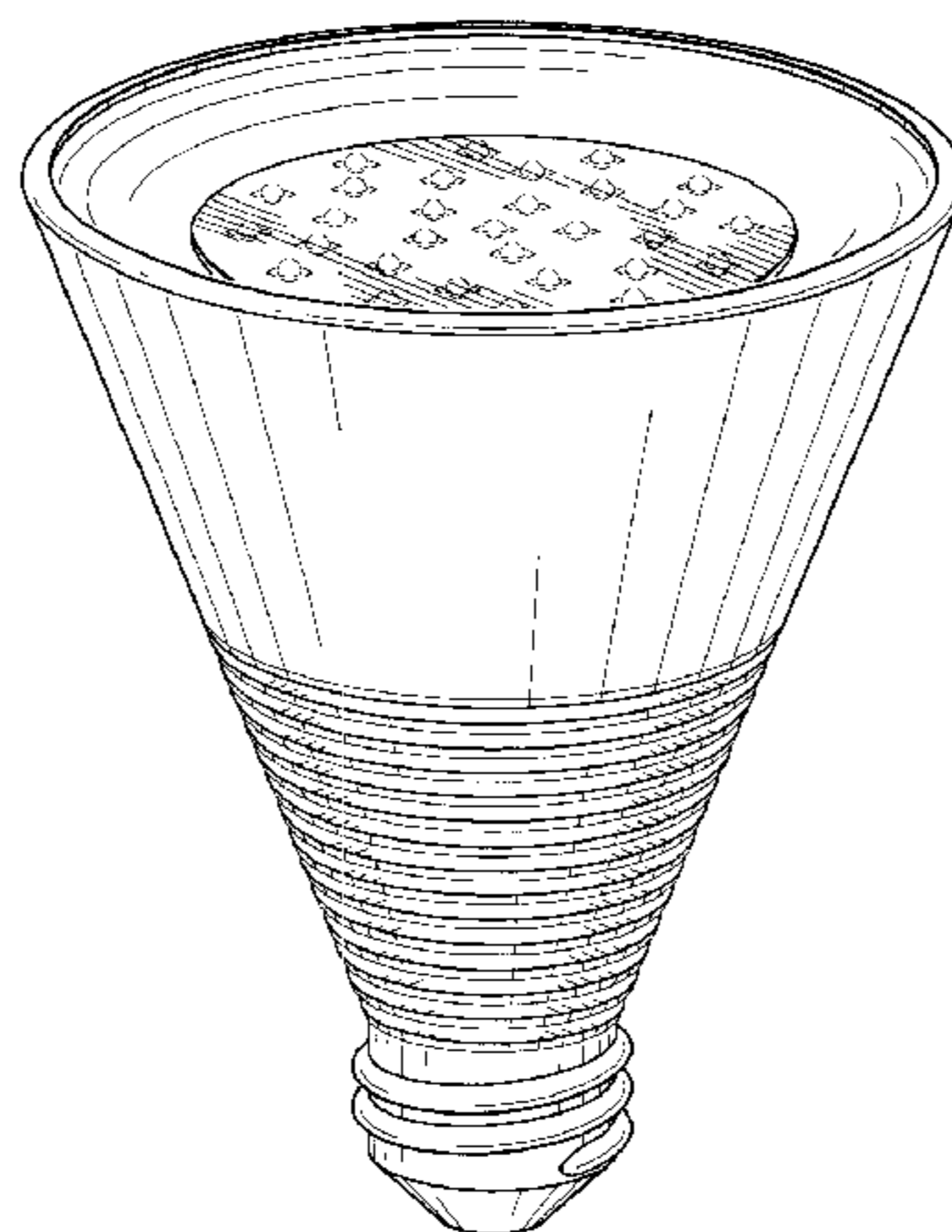
(57) **CLAIM**

The ornamental design for an LED light bulb, as shown and described.

DESCRIPTION

FIG. 1 is a top perspective view of an LED light bulb showing my design;
FIG. 2 is a bottom perspective view thereof;
FIG. 3 is a front elevational view thereof;
FIG. 4 is a right side elevational view thereof;
FIG. 5 is a top plan view thereof;
FIG. 6 is a bottom plan view thereof; and,
FIG. 7 is a perspective view similar to FIG. 1 but showing a variation of my design.

1 Claim, 3 Drawing Sheets



U.S. PATENT DOCUMENTS

5,175,528 A 12/1992 Choi et al.
 5,313,187 A 5/1994 Choi et al.
 5,358,880 A 10/1994 Lebby et al.
 5,439,941 A 8/1995 Butler et al.
 5,585,783 A 12/1996 Hall
 5,707,132 A 1/1998 Ooki et al.
 5,749,646 A 5/1998 Brittell
 D395,092 S 6/1998 Vakil
 5,782,553 A 7/1998 McDermott
 5,929,788 A 7/1999 Vukosic
 6,016,038 A 1/2000 Mueller et al.
 D427,335 S 6/2000 Noll
 6,150,771 A 11/2000 Perry
 6,150,774 A 11/2000 Mueller et al.
 6,166,496 A 12/2000 Lys et al.
 6,211,626 B1 4/2001 Lys et al.
 6,220,722 B1 4/2001 Begemann
 6,227,679 B1 5/2001 Zhang et al.
 6,285,119 B1 9/2001 Sundhar
 6,293,684 B1 9/2001 Riblett
 6,345,903 B1 2/2002 Koike et al.
 6,369,781 B1 4/2002 Hashimoto et al.
 6,371,636 B1 4/2002 Wesson
 6,489,937 B1 12/2002 Ruvinsky
 D470,606 S 2/2003 Bobel
 D470,608 S 2/2003 Bobel
 D470,610 S 2/2003 Bobel
 6,523,978 B1 2/2003 Huang
 6,548,967 B1 4/2003 Dowling et al.
 6,580,228 B1 6/2003 Chen et al.
 6,600,274 B1 7/2003 Hughes
 6,608,453 B1 8/2003 Morgan et al.
 6,621,222 B1 9/2003 Hong
 D482,143 S * 11/2003 Buschmann et al. D26/2
 6,659,632 B1 12/2003 Chen
 6,662,489 B1 12/2003 Spiro et al.
 6,674,096 B1 1/2004 Sommers
 6,683,419 B1 1/2004 Kriparos
 6,697,130 B1 2/2004 Weindorf et al.
 D487,940 S * 3/2004 Buschmann et al. D26/2
 6,707,247 B1 3/2004 Murano
 6,709,126 B1 3/2004 Leen
 6,709,132 B1 3/2004 Ishibashi

6,724,156 B1 4/2004 Fregoso
 D490,919 S 6/2004 Wiesmeth
 D491,301 S 6/2004 Chen
 D493,007 S 7/2004 Rugendyke et al.
 D498,310 S 11/2004 Gagnon et al.
 6,822,397 B1 11/2004 Kawasaki et al.
 D500,872 S 1/2005 Foo
 D501,055 S 1/2005 Packard
 6,840,003 B1 1/2005 Moore
 D505,738 S * 5/2005 Buschmann et al. D26/2
 6,900,781 B1 5/2005 Mori et al.
 D508,575 S 8/2005 Buschmann et al.
 D514,237 S * 1/2006 Buschmann et al. D26/2
 2001/0024112 A1 9/2001 Jacobs et al.
 2001/0055353 A1 12/2001 Rybicki et al.
 2002/0187570 A1 12/2002 Fukasawa et al.
 2003/0031015 A1 2/2003 Ishibashi
 2003/0072145 A1 4/2003 Nolan et al.
 2003/0090910 A1 5/2003 Chen
 2003/0117803 A1 6/2003 Chen
 2004/0037080 A1 2/2004 Luk et al.
 2005/0007304 A1 1/2005 Gallagher et al.
 2005/0174769 A1 8/2005 Yong et al.

OTHER PUBLICATIONS

Fredric S. Maxik, U.S. Appl. No. 10/915,301, filed Aug. 9, 2004 for "Light Bulb Having Wide Angle Light Dispersion and Method of Making Same".
 Fredric S. Maxik, U.S. Appl. No. 10/915,531, filed Aug. 9, 2004 for "Electronic Light Generating Element Light Bulb".
 Fredric S. Maxik, U.S. Appl. No. 29/214,892, filed Oct. 8, 2004 for "LED Light Bulb".
 Fredric S. Maxik, U.S. Appl. No. 29/214,893, filed Oct. 8, 2004 for "LED Light Bulb".
 Fredric S. Maxik and Addy S. Widjaja, U.S. Appl. No. 29/235,139, filed Jul. 27, 2005 for "LED Light Bulb".
 Fredric S. Maxik and Addy S. Widjaja, U.S. Appl. No. 29/235,140, filed Jul. 27, 2005 for "LED Light Bulb".
 Fredric S. Maxik, U.S. Appl. No. 29/243,097, filed Nov. 18, 2005 for "LED Light Bulb".

* cited by examiner

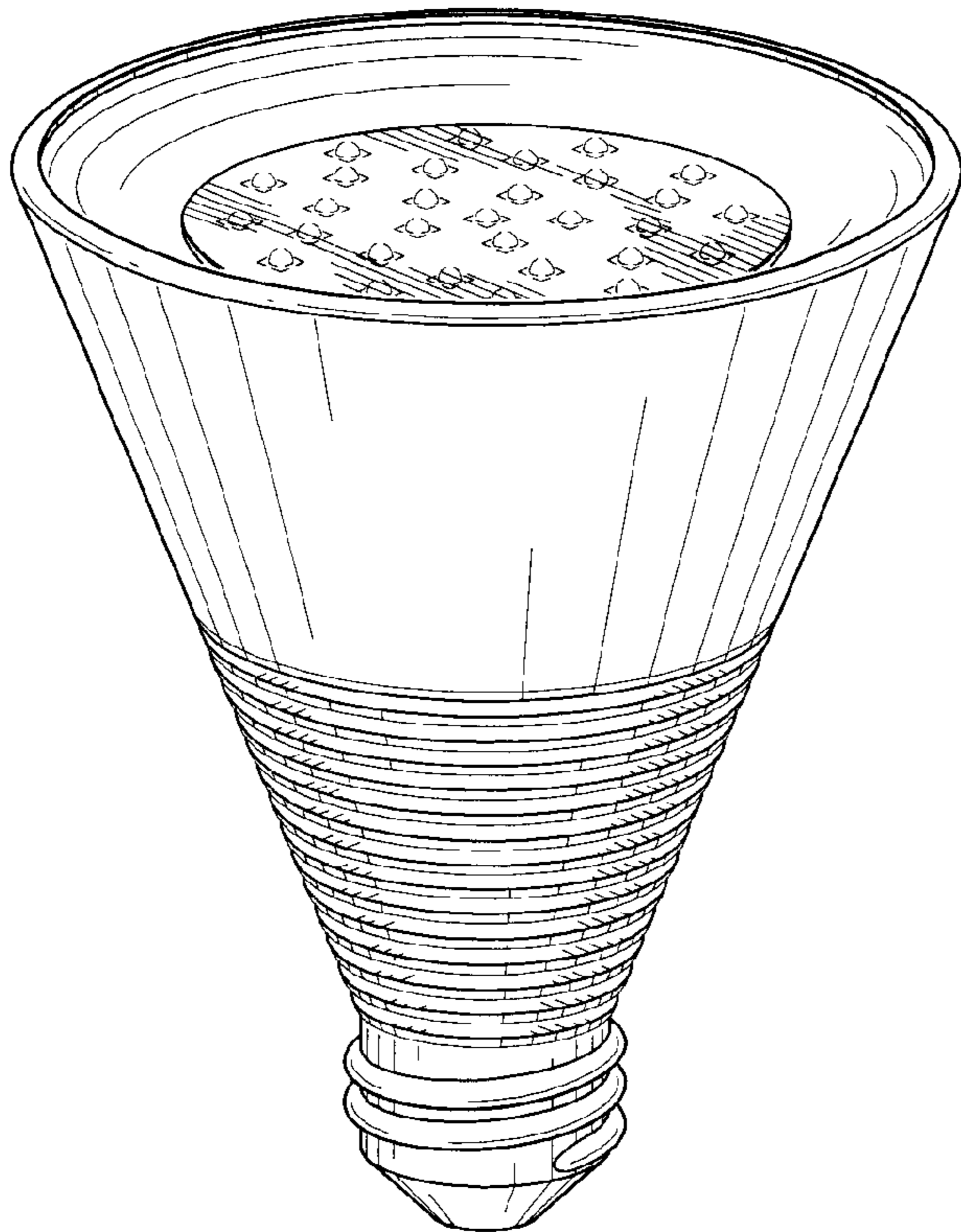


Fig. 1

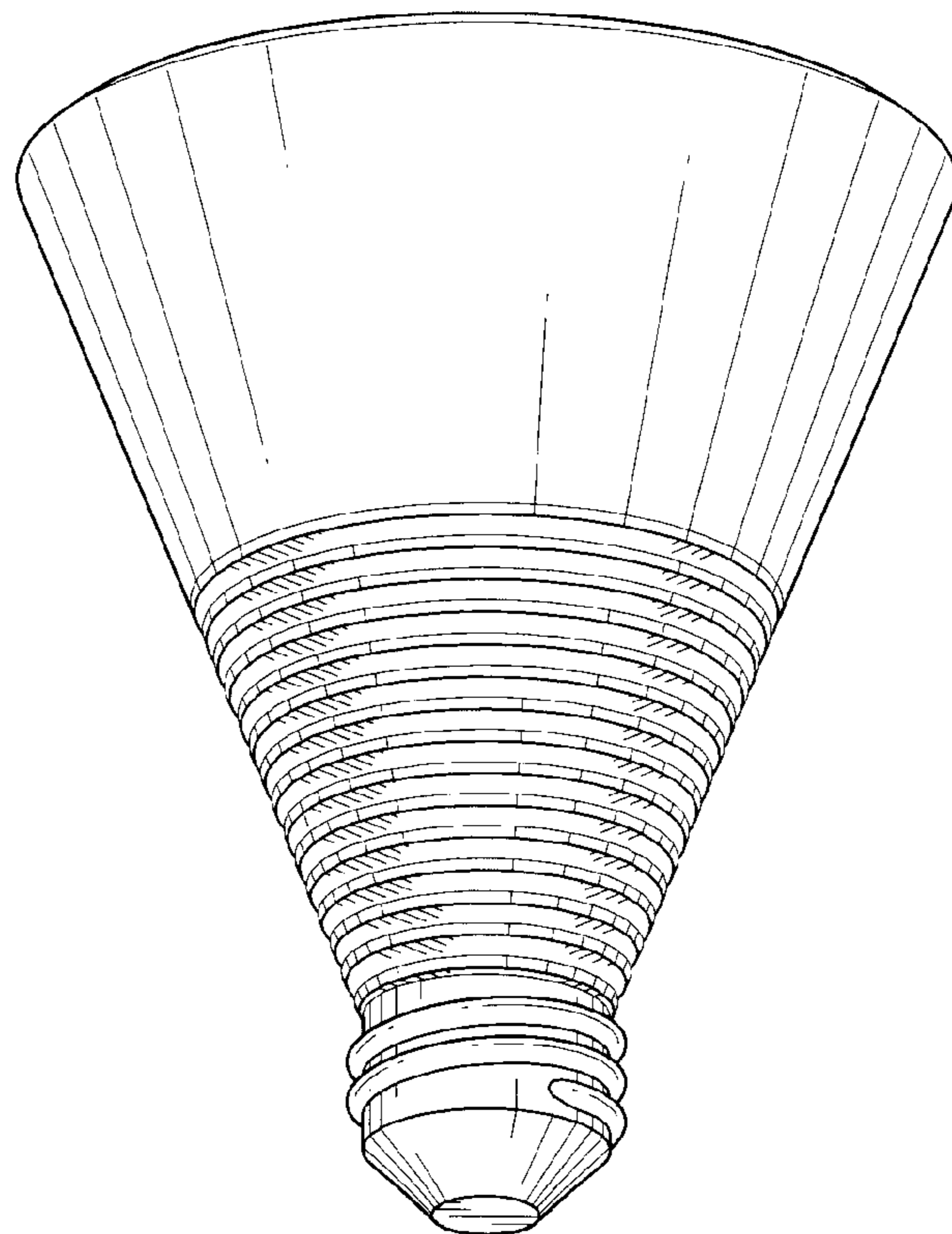


Fig. 2

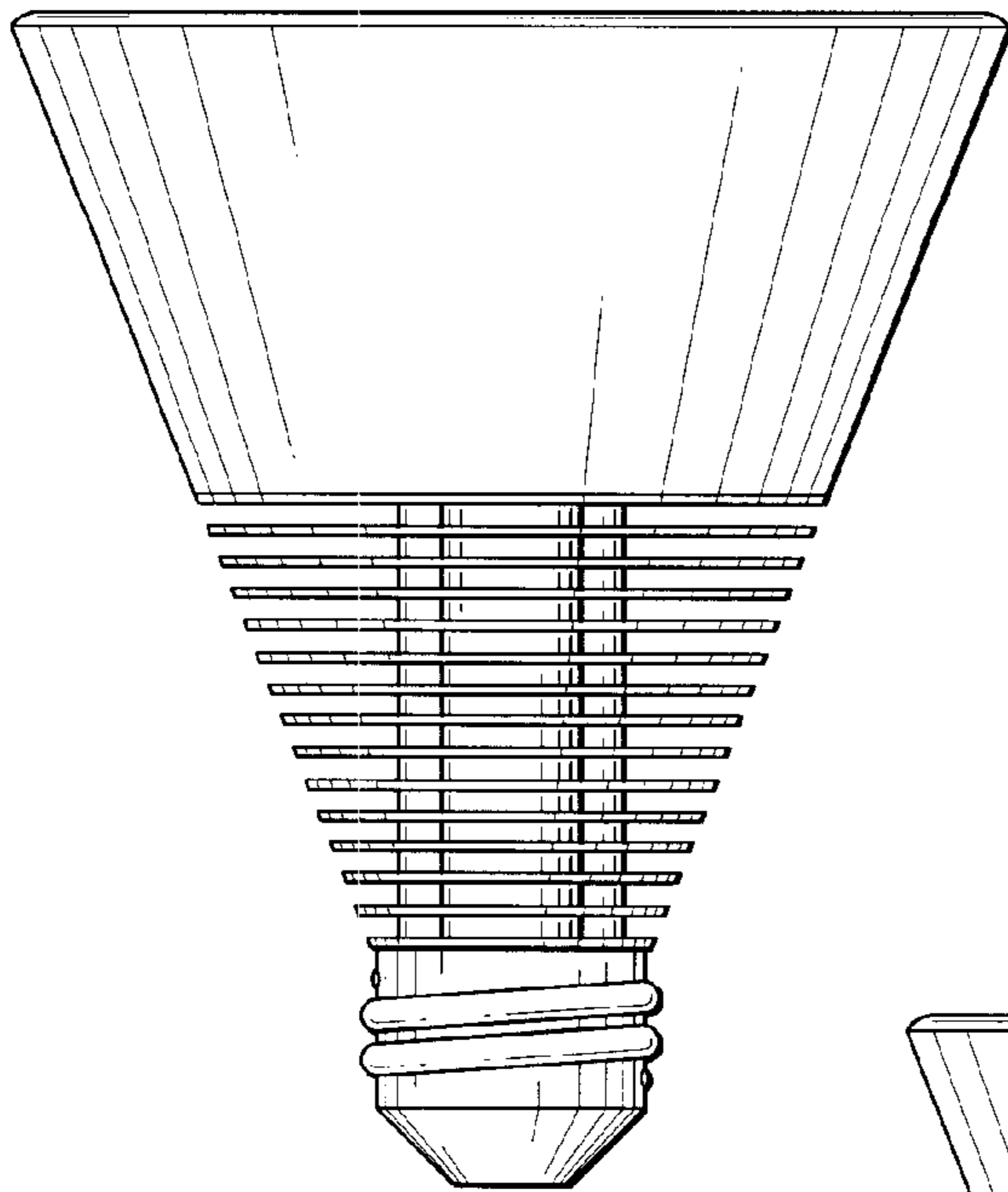


Fig. 3

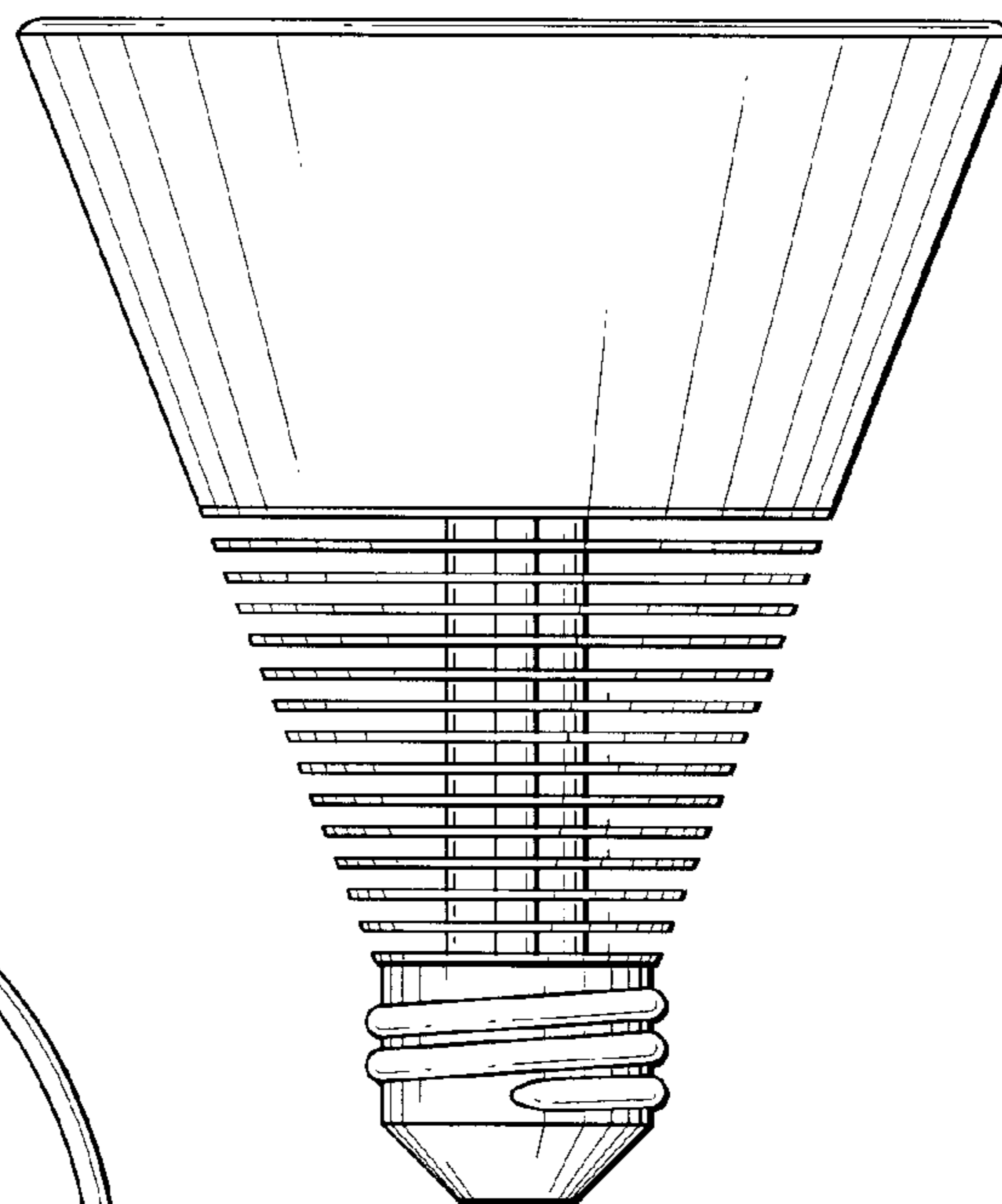


Fig. 4

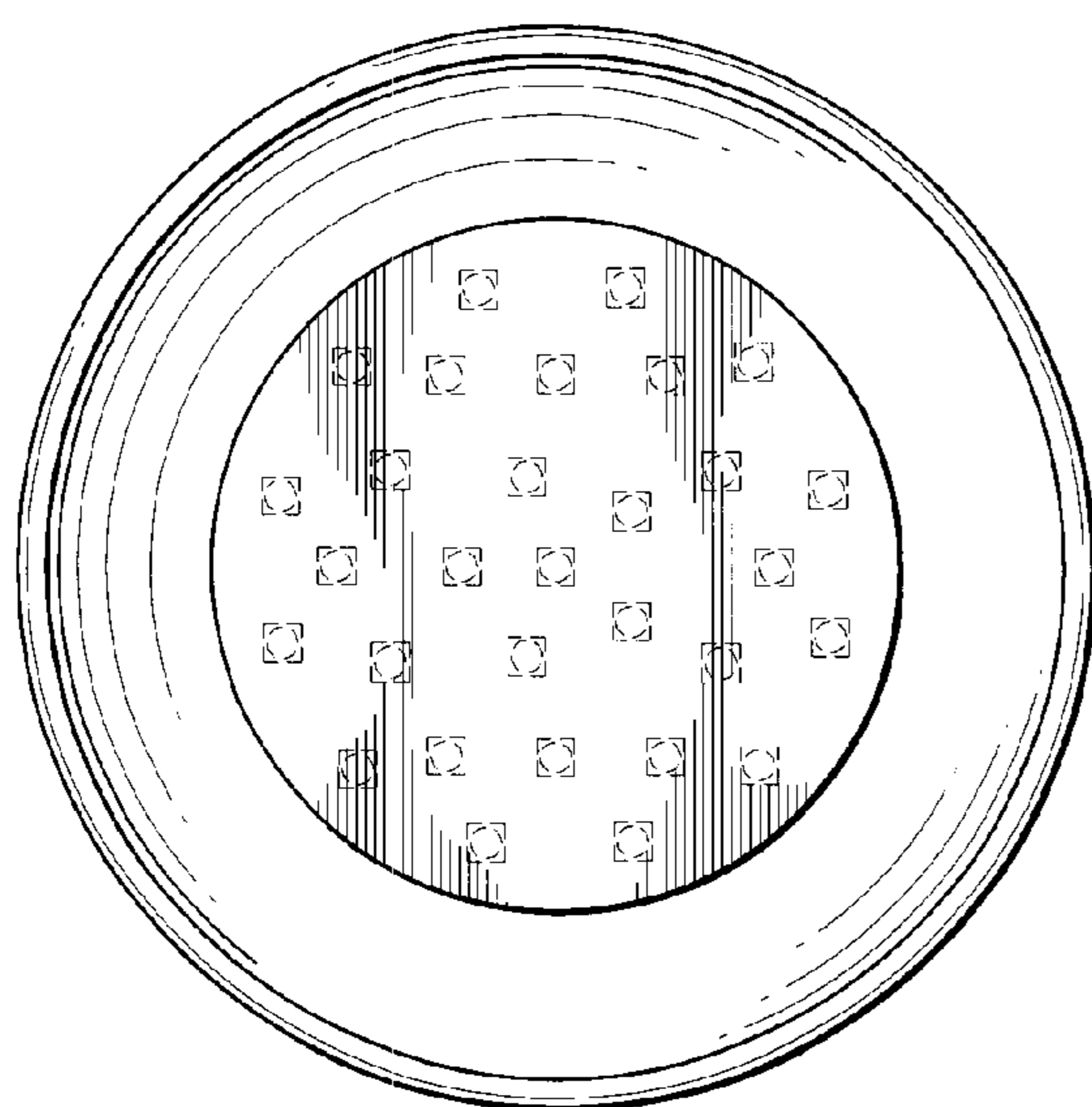


Fig. 5

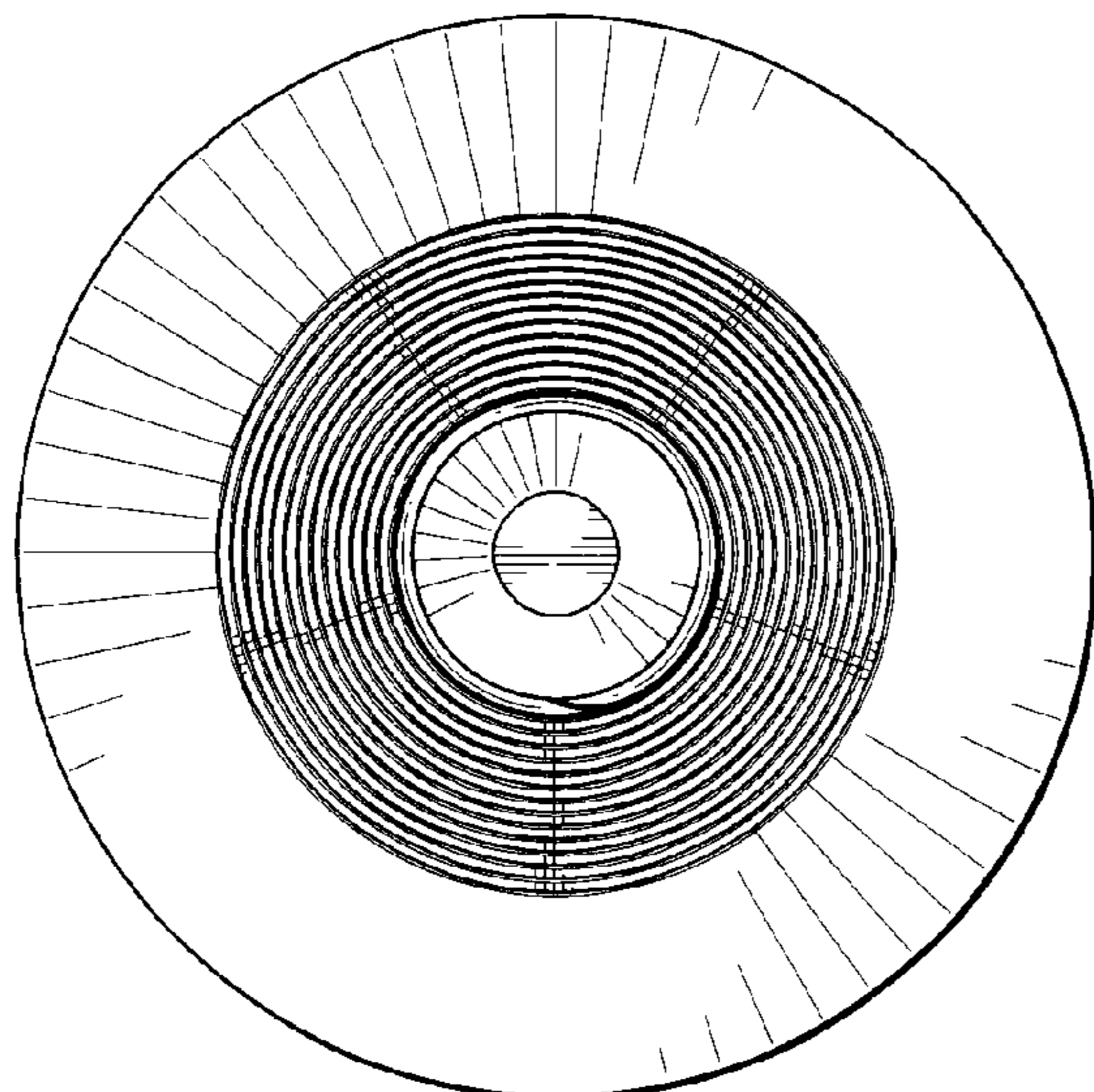


Fig. 6

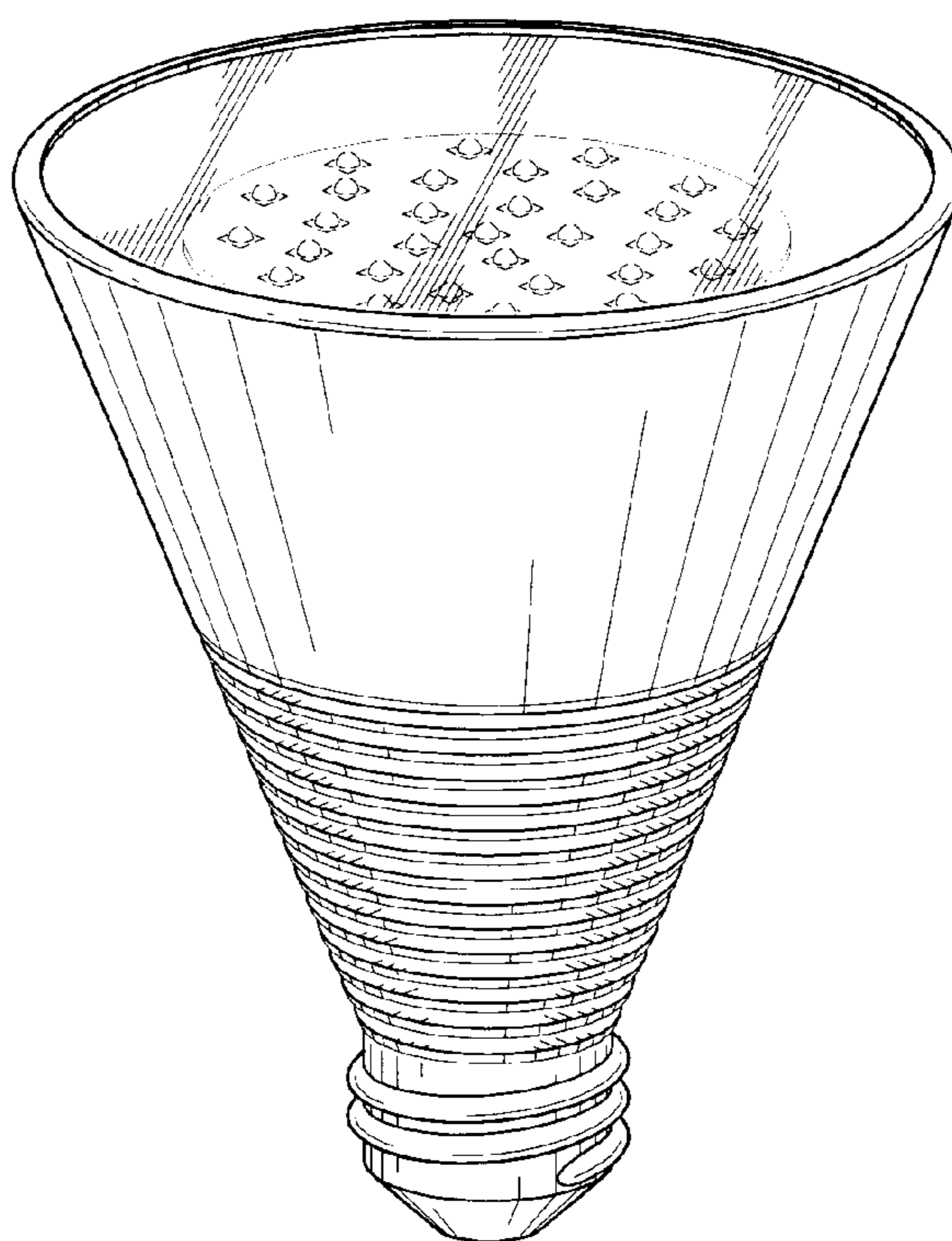


Fig. 7