



US00D531737S

(12) **United States Design Patent**  
**Shuman et al.**

(10) **Patent No.:** **US D531,737 S**

(45) **Date of Patent:** **\*\* Nov. 7, 2006**

(54) **CORNER PIECE FOR A FLOOR TILE**

(76) Inventors: **Marc Shuman**, 5 Aerial Way, Suite 200, Bellmore, NY (US) 11791; **John Maxworthy**, 5 Aerial Way, Suite 200, Merrick, NY (US) 11971

(\*\*) Term: **14 Years**

(21) Appl. No.: **29/232,236**

(22) Filed: **Jun. 16, 2005**

(51) **LOC (8) Cl.** ..... **25-02**

(52) **U.S. Cl.** ..... **D25/55**

(58) **Field of Classification Search** ..... D25/136,  
D25/60, 55, 68, 69, 199, 164; 52/208, 254,  
52/387, 762, 764, 183

See application file for complete search history.

(56) **References Cited**

**U.S. PATENT DOCUMENTS**

D361,134 S \* 8/1995 Bischel ..... D25/55  
5,509,244 A \* 4/1996 Bentzon ..... 52/387

**OTHER PUBLICATIONS**

RaceDeck Garage Floors—[www.racedeck.com/styles.htm](http://www.racedeck.com/styles.htm)  
p. 2 of 2 (visited May 5, 2005).

\* cited by examiner

*Primary Examiner*—Doris Clark

(74) *Attorney, Agent, or Firm*—Collard & Roe, P.C.

(57) **CLAIM**

The ornamental design for a corner piece for a floor tile, as shown and described.

**DESCRIPTION**

FIG. 1 shows a top perspective view of a corner piece for a floor tile

FIG. 2 shows a front view of the corner piece for a floor tile;

FIG. 3 shows a left view of the corner piece for a floor tile with respect to FIG. 2;

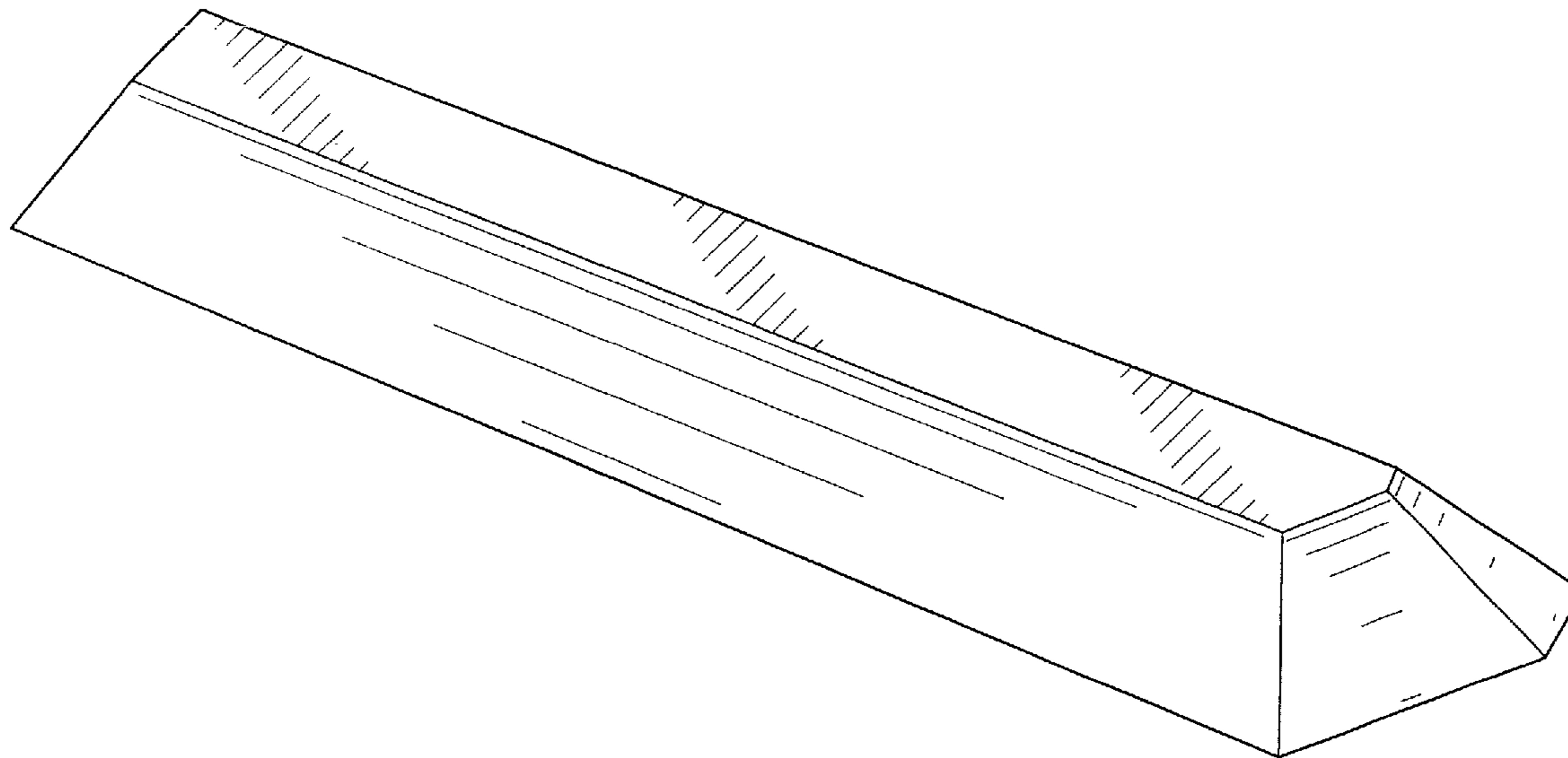
FIG. 4 shows a side view of the corner piece for a floor tile which is the right side with respect to FIG. 2;

FIG. 5 shows another view of the corner piece for a floor tile which is the bottom view with respect to FIG. 2;

FIG. 6 shows a back view of the corner piece for a floor tile with respect to FIG. 2; and,

FIG. 7 shows another view of the corner piece for a floor tile which is the top view with respect to FIG. 2.

**1 Claim, 3 Drawing Sheets**



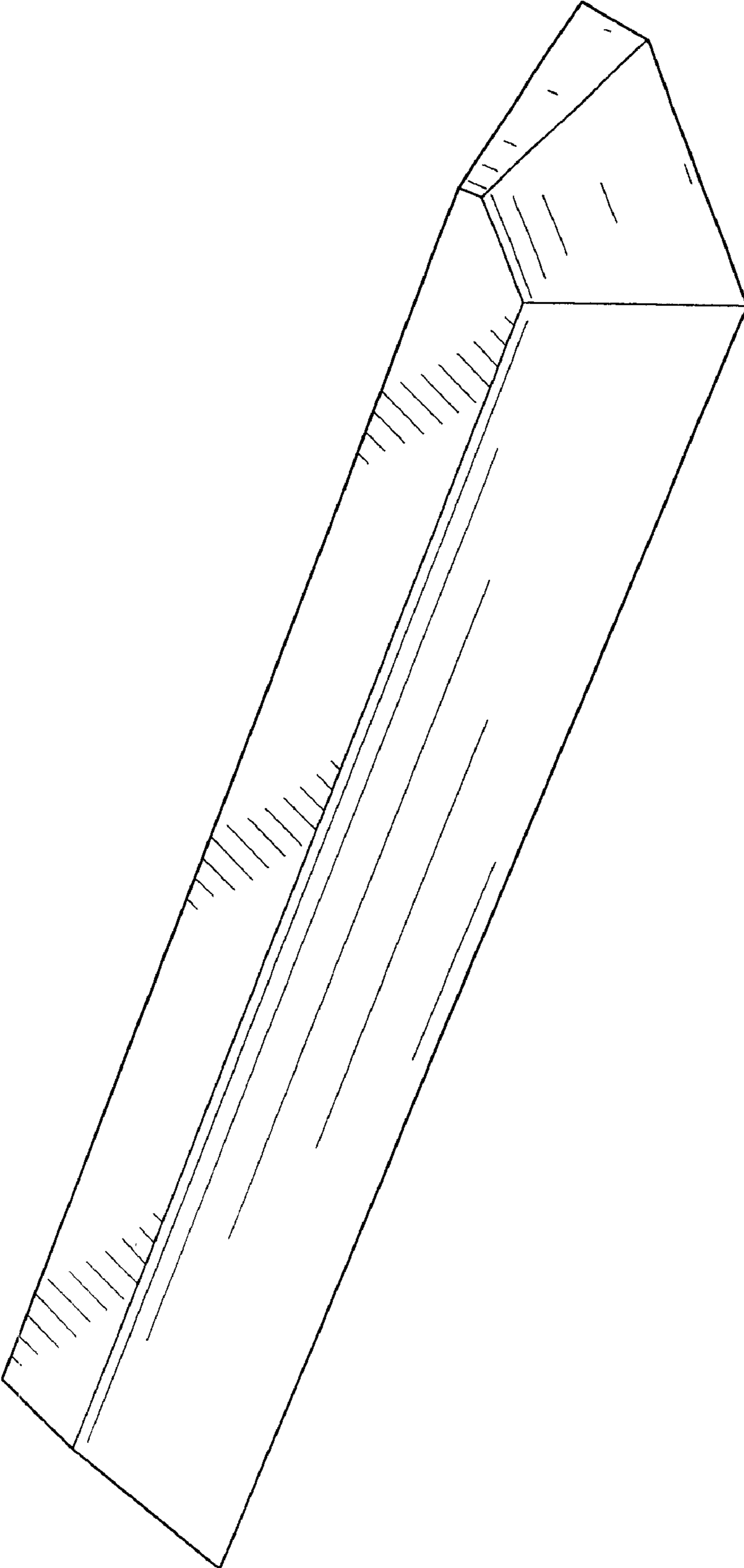


FIG. 1



FIG. 5

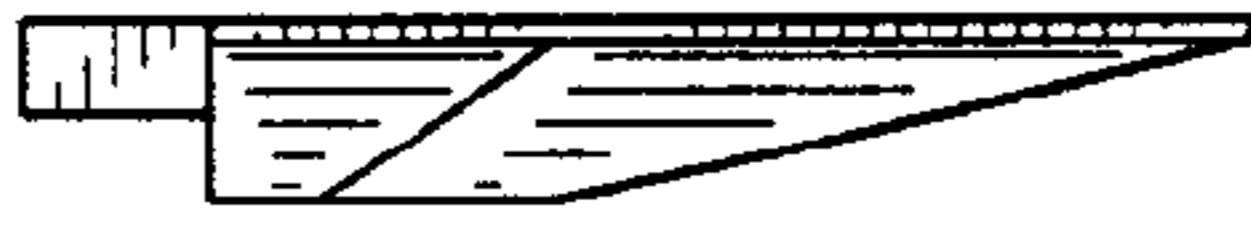


FIG. 4

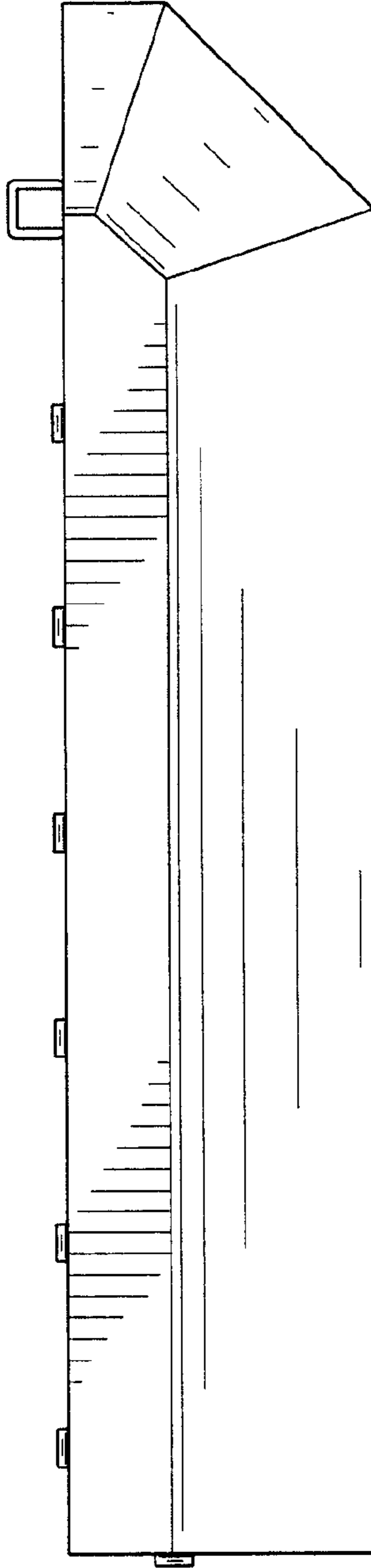


FIG. 2



FIG. 3

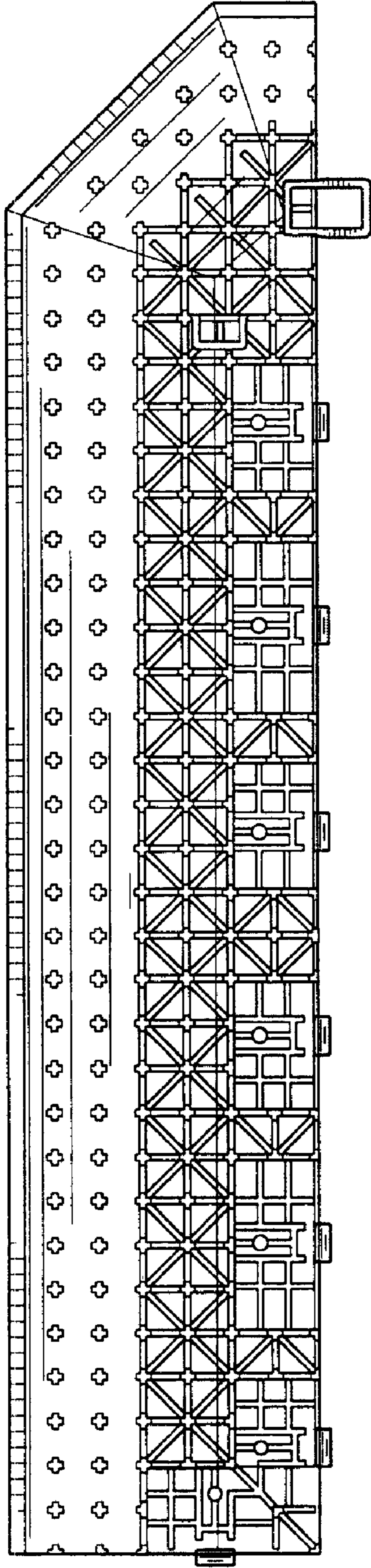


FIG. 6



FIG. 7