



US00D531735S

(12) **United States Design Patent**  
**Lee et al.**

(10) **Patent No.:** **US D531,735 S**  
(45) **Date of Patent:** **\*\* Nov. 7, 2006**

(54) **HANDHELD MEDICAL TEST DEVICE WITH  
REMOVABLE CAP**

(75) Inventors: **Tony Lee**, Worcester (GB); **Mette  
Flakstad**, London (GB)

(73) Assignee: **Inverness Medical Switzerland  
GmbH**, Zug (CH)

(\*\*) **Term:** **14 Years**

(21) **Appl. No.:** **29/227,103**

(22) **Filed:** **Apr. 6, 2005**

(30) **Foreign Application Priority Data**

Oct. 6, 2004 (GB) ..... 3018982

(51) **LOC (8) Cl.** ..... **24-02**

(52) **U.S. Cl.** ..... **D24/223**

(58) **Field of Classification Search** ..... D24/186,  
D24/216, 223-225; 422/56, 58, 61; 436/514,  
436/518

See application file for complete search history.

(56) **References Cited**

**U.S. PATENT DOCUMENTS**

- D310,265 S \* 8/1990 Mochnal et al. .... D24/223
- D341,663 S \* 11/1993 Coulter ..... D24/225
- D369,868 S \* 5/1996 Nazareth et al. .... D24/225
- 5,622,871 A \* 4/1997 May et al. .... 436/514
- D379,662 S 6/1997 Pearson et al. .... D24/223
- D379,663 S 6/1997 Pearson et al. .... D24/223
- D383,549 S \* 9/1997 Arnett et al. .... D24/223
- D390,667 S \* 2/1998 Nazareth ..... D24/223
- D394,317 S 5/1998 Carp ..... D24/223
- D412,990 S \* 8/1999 Woolston et al. .... D24/223
- D421,310 S \* 2/2000 Shantz ..... D24/223
- 6,046,057 A \* 4/2000 Nazareth et al. .... 436/514
- 6,146,590 A \* 11/2000 Mazurek et al. .... 422/58
- 6,303,081 B1 \* 10/2001 Mink et al. .... 422/61
- 6,372,516 B1 \* 4/2002 Sun ..... 436/518
- 6,669,908 B1 \* 12/2003 Weyker et al. .... 422/58
- 6,740,293 B1 \* 5/2004 Deng ..... 422/58

- D491,274 S \* 6/2004 Dubniczki et al. .... D24/223
- 6,767,714 B1 \* 7/2004 Nazareth et al. .... 435/7.5
- D493,893 S \* 8/2004 Wang ..... D24/223
- D497,673 S 10/2004 Long ..... D24/223
- D497,999 S 11/2004 Long ..... D24/223
- D499,812 S \* 12/2004 Wu ..... D24/223
- 6,855,561 B1 \* 2/2005 Jerome et al. .... 436/514
- 6,867,051 B1 \* 3/2005 Anderson et al. .... 436/518
- D509,901 S \* 9/2005 Phelan et al. .... D24/223
- 6,951,631 B1 \* 10/2005 Catt et al. .... 422/56
- D511,574 S \* 11/2005 Wendling ..... D24/225
- D512,156 S \* 11/2005 Wendling ..... D24/225
- 6,998,273 B1 \* 2/2006 Fleming et al. .... 436/514

**OTHER PUBLICATIONS**

U.S. Appl. No. 29/227,105, filed Apr. 6, 2005, Lee, Tony, et al.

\* cited by examiner

*Primary Examiner*—Robert A. Delehanty

*Assistant Examiner*—Mark Cavanna

(74) *Attorney, Agent, or Firm*—Scott E. Kamholz; Foley Hoag LLP

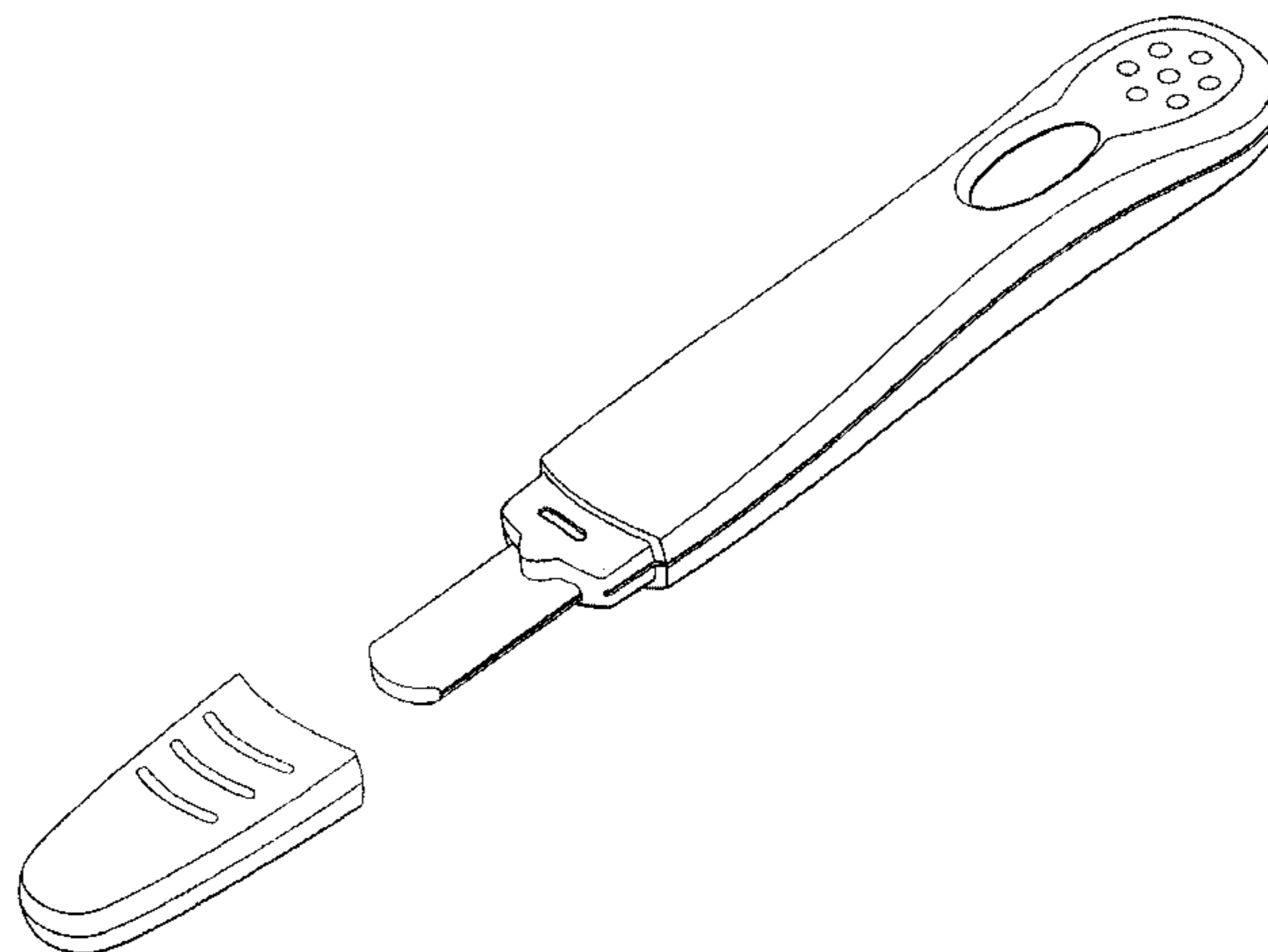
(57) **CLAIM**

The ornamental design for a handheld medical test device with removable cap, as shown and described.

**DESCRIPTION**

FIG. 1 is a top plan view of a handheld medical test device showing the design;  
 FIG. 2 is a bottom plan view thereof;  
 FIG. 3 is a left side elevation view thereof, the right side being a mirror image thereof;  
 FIG. 4 is a front elevation view of the design;  
 FIG. 5 is a rear elevation view thereof;  
 FIG. 6 is a perspective view of the top and left side thereof;  
 and,  
 FIG. 7 is another perspective view of the device with its cap removed.

**1 Claim, 2 Drawing Sheets**



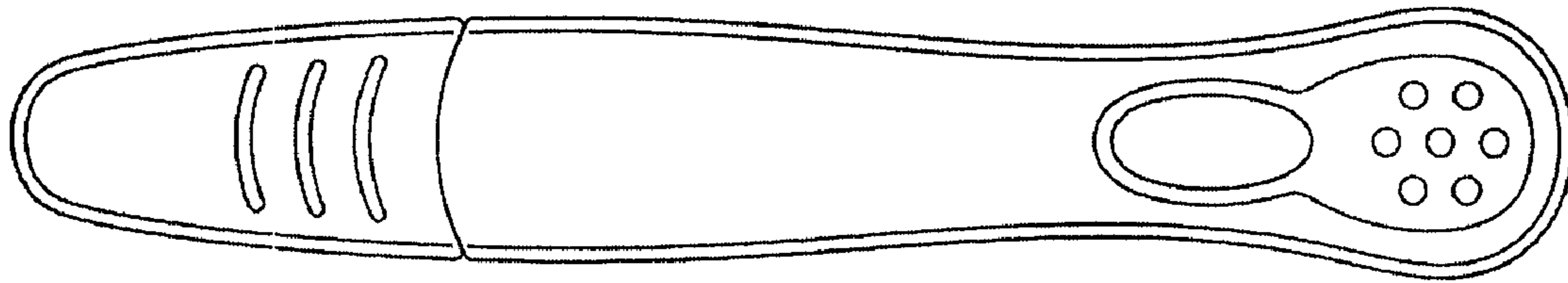


FIG. 1

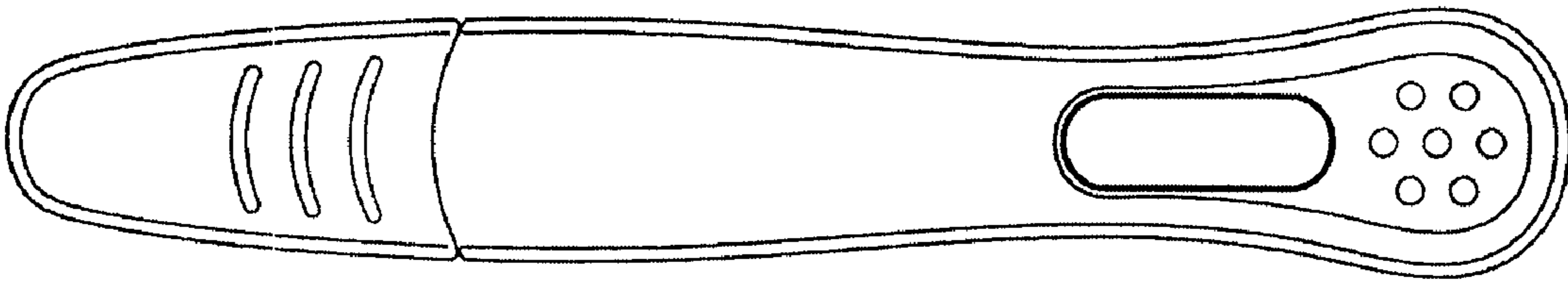


FIG. 2

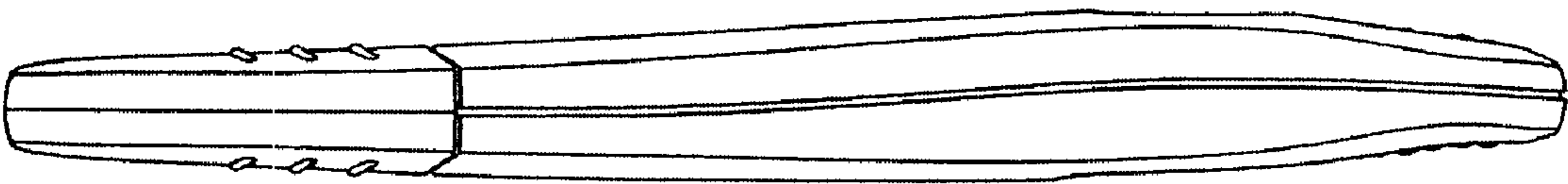


FIG. 3



FIG. 4

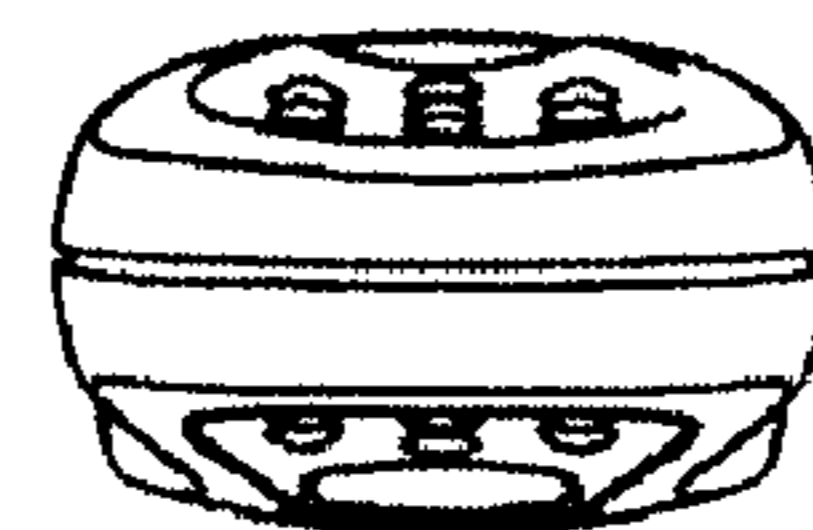


FIG. 5

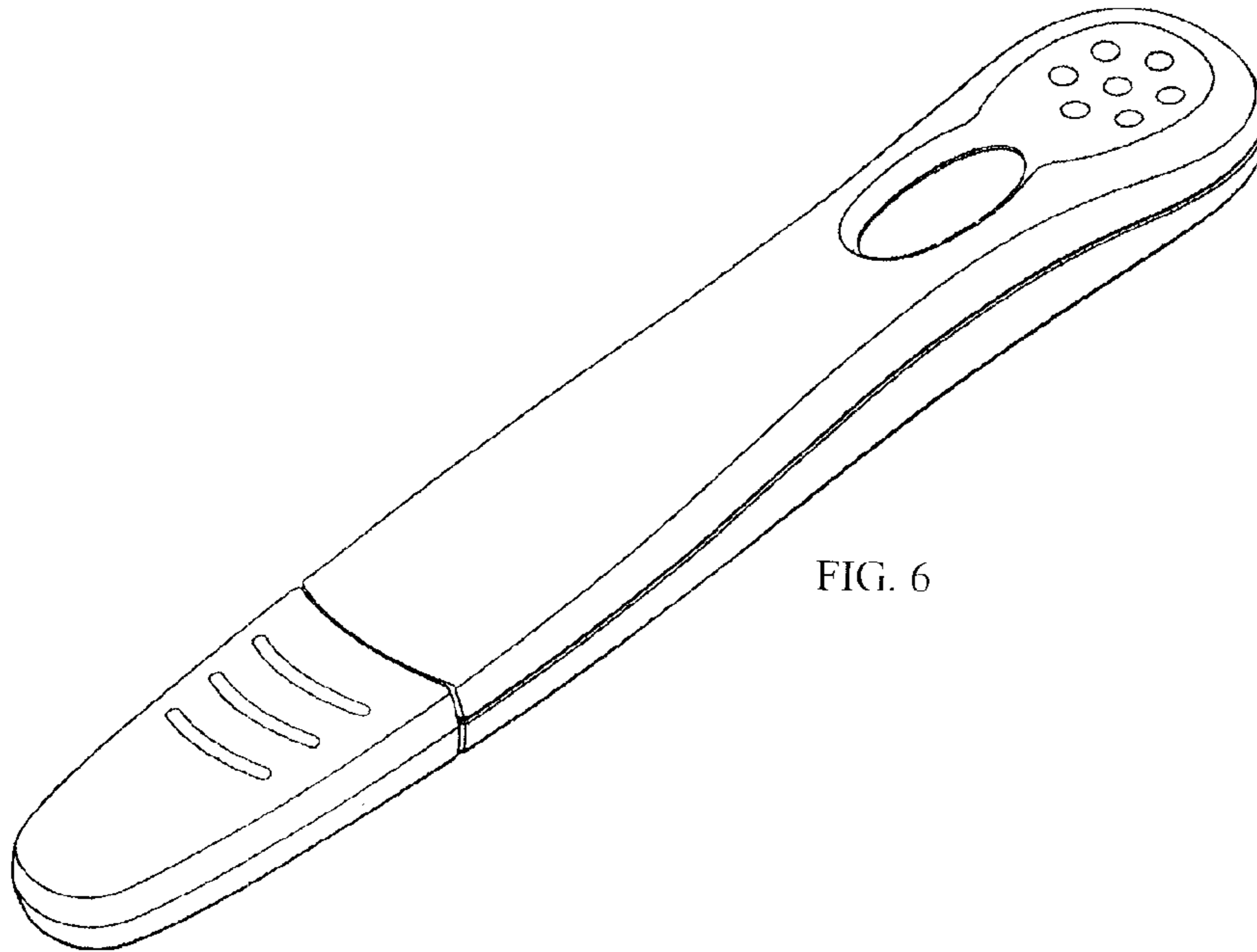


FIG. 6

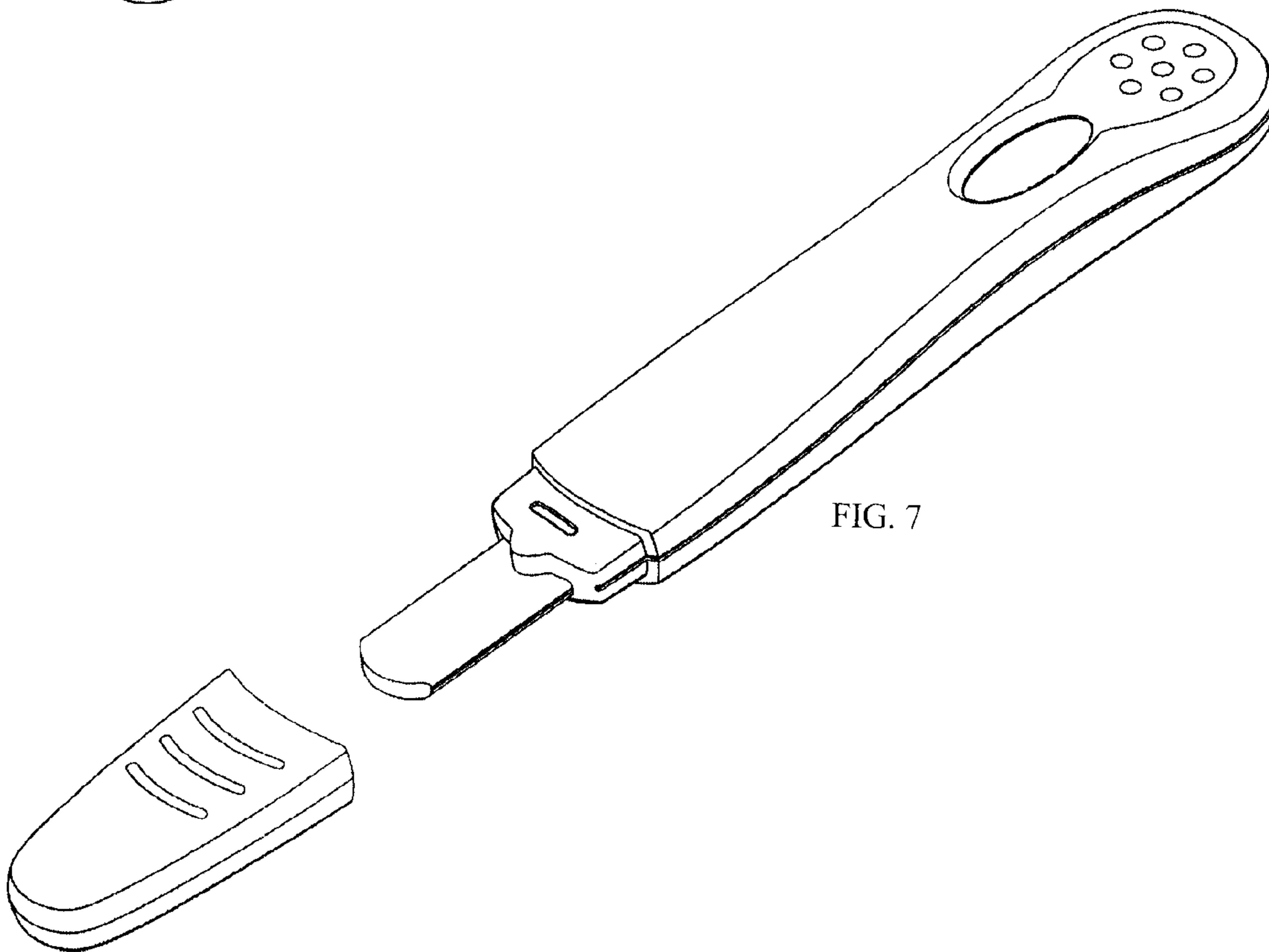


FIG. 7