



US00D531732S

(12) **United States Design Patent**
Bean et al.

(10) **Patent No.:** **US D531,732 S**
(45) **Date of Patent:** **** Nov. 7, 2006**

(54) **FOOT BATH**

(75) Inventors: **Joseph Bean**, Bedford, NH (US);
Joseph Geringer, Merrimack, NH
(US); **Kenneth David Harris, Jr.**,
Hollis, NH (US); **Steven H. Schwartz**,
Bedford, NH (US); **M. Rufus**
Woodard, Boston, MA (US); **Timothy**
Trzepacz, Auburn, NH (US)

(73) Assignee: **Brookstone Purchasing, Inc.**,
Merrimack, NH (US)

(**) Term: **14 Years**

(21) Appl. No.: **29/206,552**

(22) Filed: **Jun. 1, 2004**

(51) **LOC (8) Cl.** **28-03**

(52) **U.S. Cl.** **D24/213**

(58) **Field of Classification Search** D24/200–205,
D24/210–213; 607/155; 4/622, 574.1; 601/154–158,
601/160, 30–32

See application file for complete search history.

(56) **References Cited**

U.S. PATENT DOCUMENTS

3,741,201	A	6/1973	Oudkerk	
3,837,334	A	9/1974	Johnson	
4,429,687	A	2/1984	Friedson et al.	
4,497,313	A	2/1985	Kurosawa	
4,620,529	A	11/1986	Kurosawa	
D364,466	S	* 11/1995	Assmann et al. D24/213
5,588,161	A	12/1996	Barradas	
D390,963	S	* 2/1998	Scholpp D24/213
5,729,841	A	3/1998	Chan	
D405,535	S	* 2/1999	Schulz D24/213
D436,180	S	* 1/2001	Lie D24/213
6,309,366	B1	10/2001	Maxwell	
D453,836	S	2/2002	Gillette et al.	
D455,498	S	4/2002	Gillette et al.	
6,385,795	B1	5/2002	Ferber et al.	

6,393,633	B1	5/2002	Ferber	
6,405,390	B1	6/2002	Kuen	
D460,826	S	* 7/2002	Lie D24/213
6,438,768	B1	8/2002	Yen	
6,505,358	B1	1/2003	Ferber et al.	
D473,317	S	* 4/2003	Lie D24/213
6,568,000	B1	5/2003	Kaufman et al.	
6,602,212	B1	8/2003	Ahn	
D487,515	S	* 3/2004	Lie D24/213
6,698,038	B1	3/2004	Bastia et al.	
6,725,471	B1	4/2004	Ferber et al.	
6,805,678	B1	* 10/2004	Cafaro 4/574.1
6,973,683	B1	* 12/2005	Lev et al. 4/622
2003/0074730	A1	4/2003	Ferber et al.	
2003/0126679	A1	7/2003	Leung et al.	
2003/0220593	A1	* 11/2003	Morton 601/154
2005/0081292	A1	4/2005	Ferber et al.	
2005/0235412	A1	10/2005	Ferber et al.	

OTHER PUBLICATIONS

BROOKSTONE, Massaging Foot Bath and Spa, www.brookstone.com (online retail catalog), Feb. 20, 2003.

* cited by examiner

Primary Examiner—Ian Simmons

Assistant Examiner—Melanie Levy

(74) *Attorney, Agent, or Firm*—Nixon Peabody, LLP

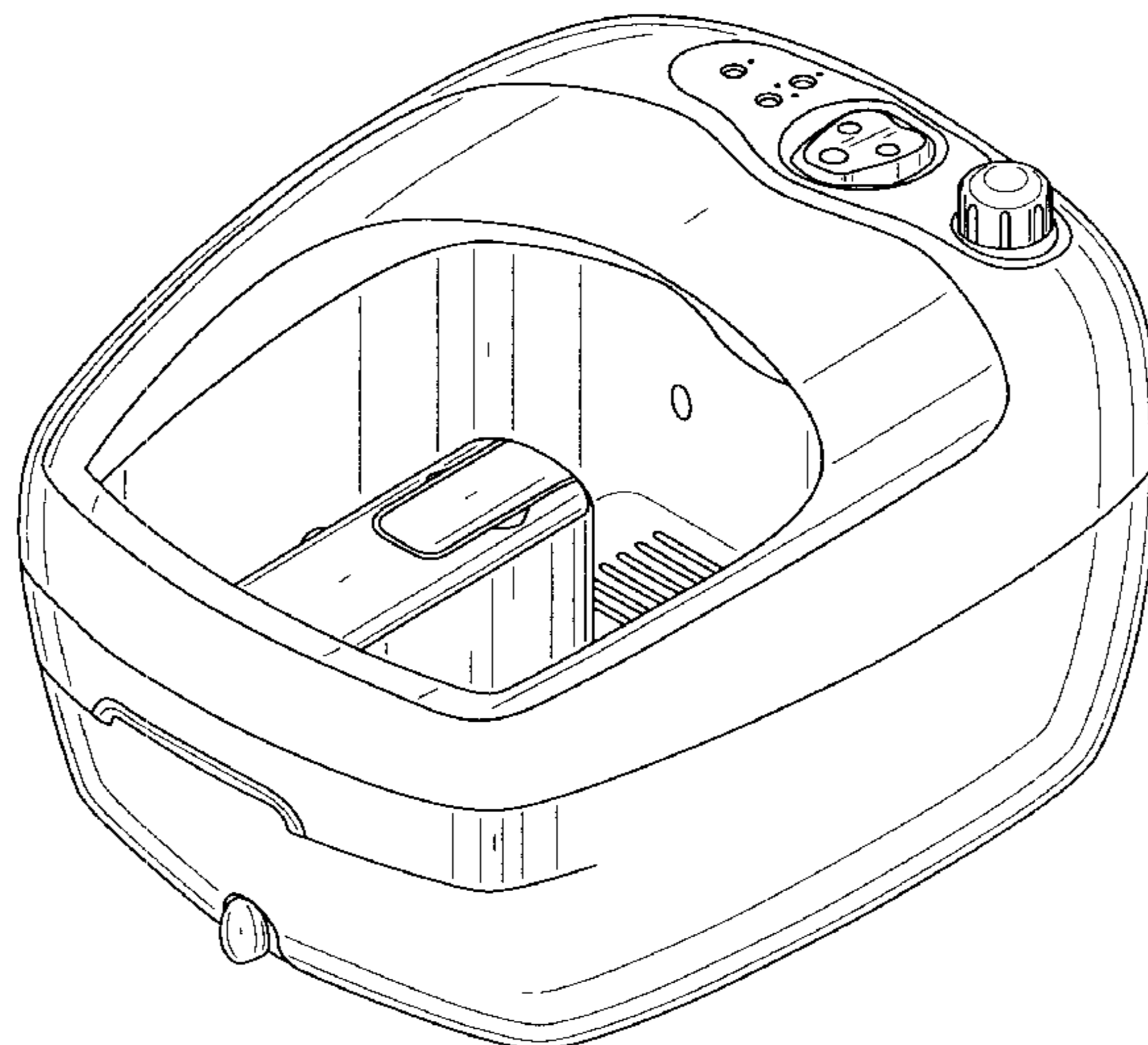
(57) **CLAIM**

The ornamental design for a foot bath, as shown and described.

DESCRIPTION

FIG. 1 is a perspective view showing a new foot bath;
FIG. 2 is a front view thereof;
FIG. 3 is a back view thereof;
FIG. 4 is a top view thereof;
FIG. 5 is a bottom view thereof;
FIG. 6 is a left side view thereof; and,
FIG. 7 is a right side view thereof.

1 Claim, 7 Drawing Sheets



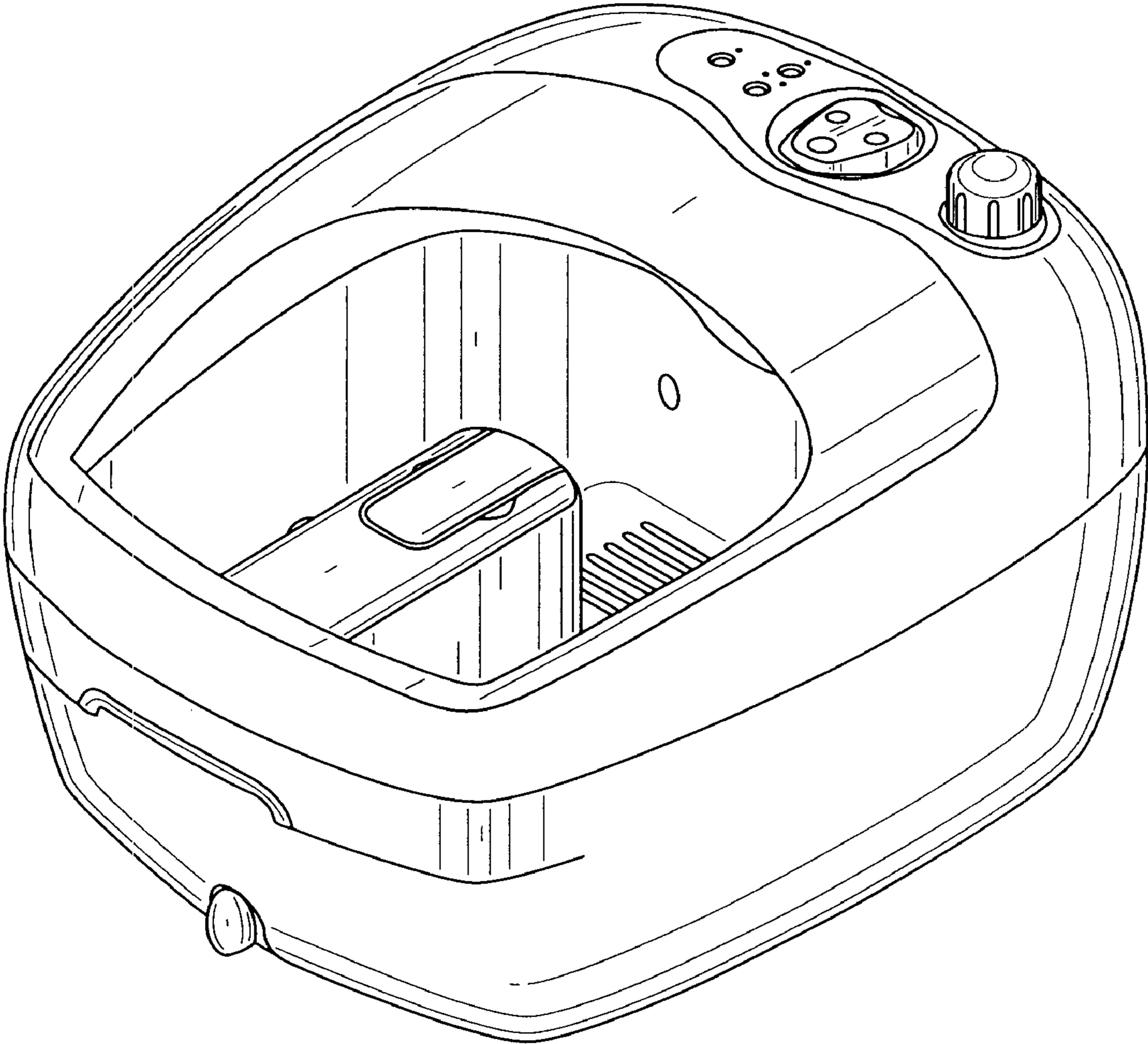


FIG. 1

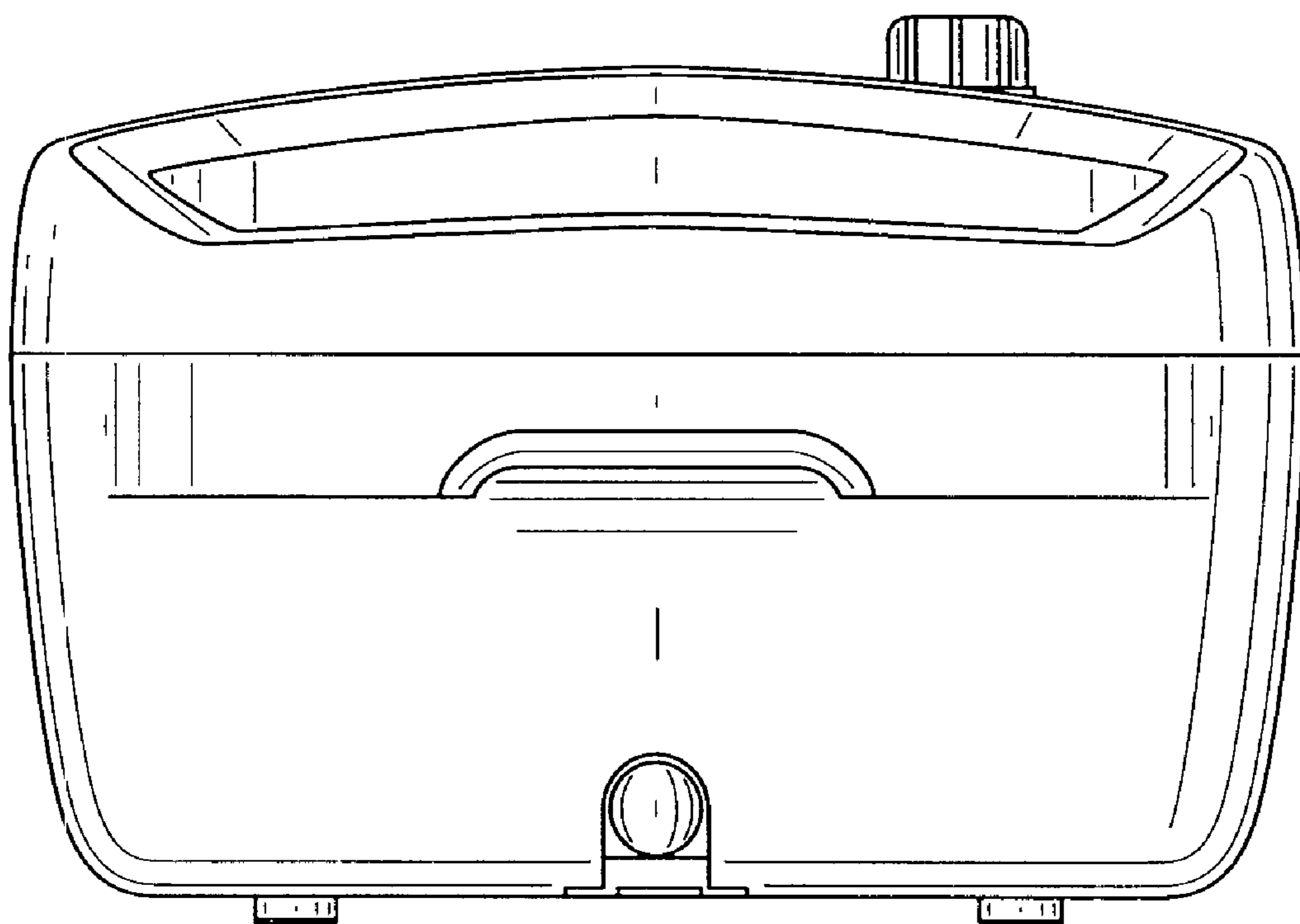


FIG. 2

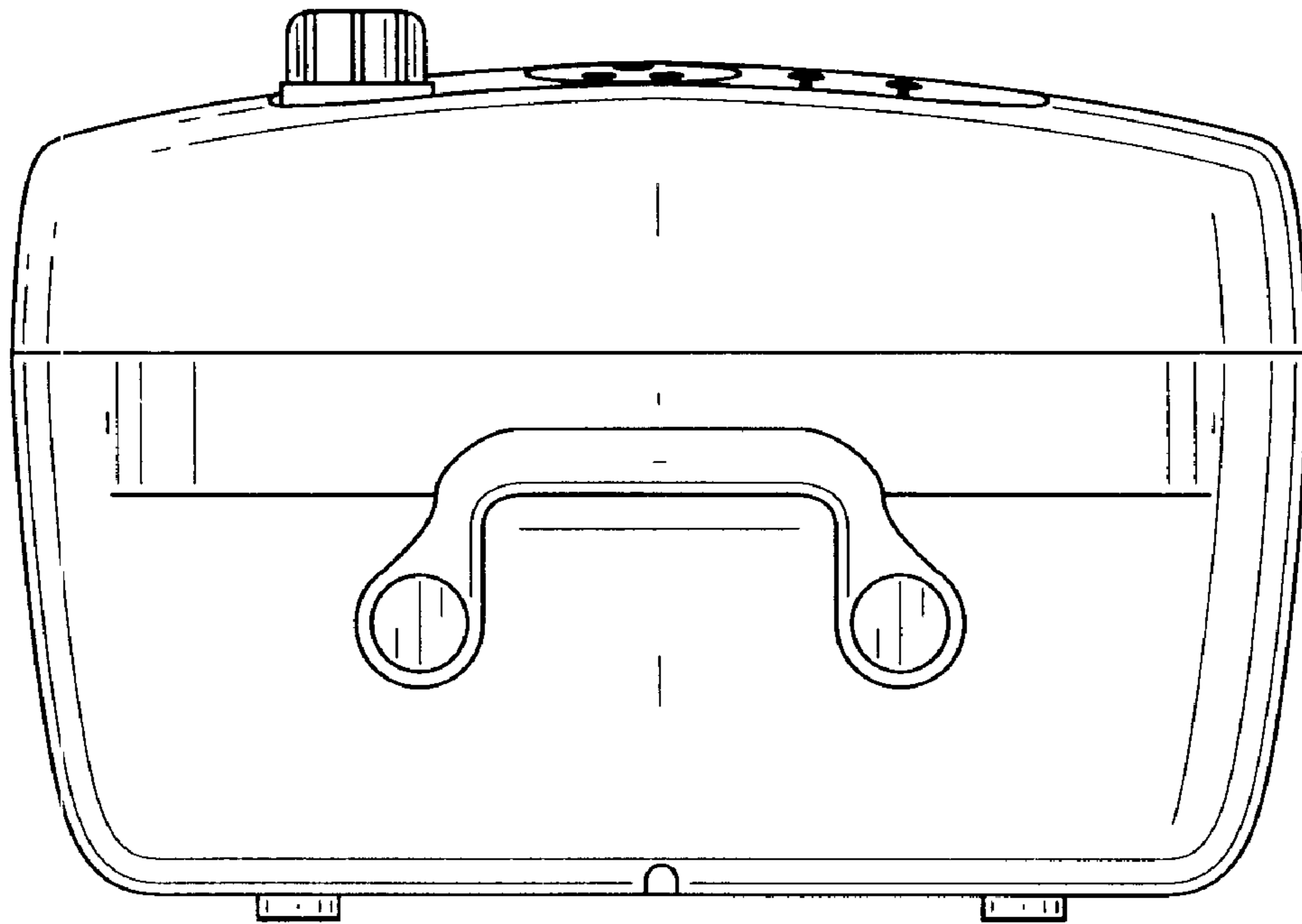


FIG. 3

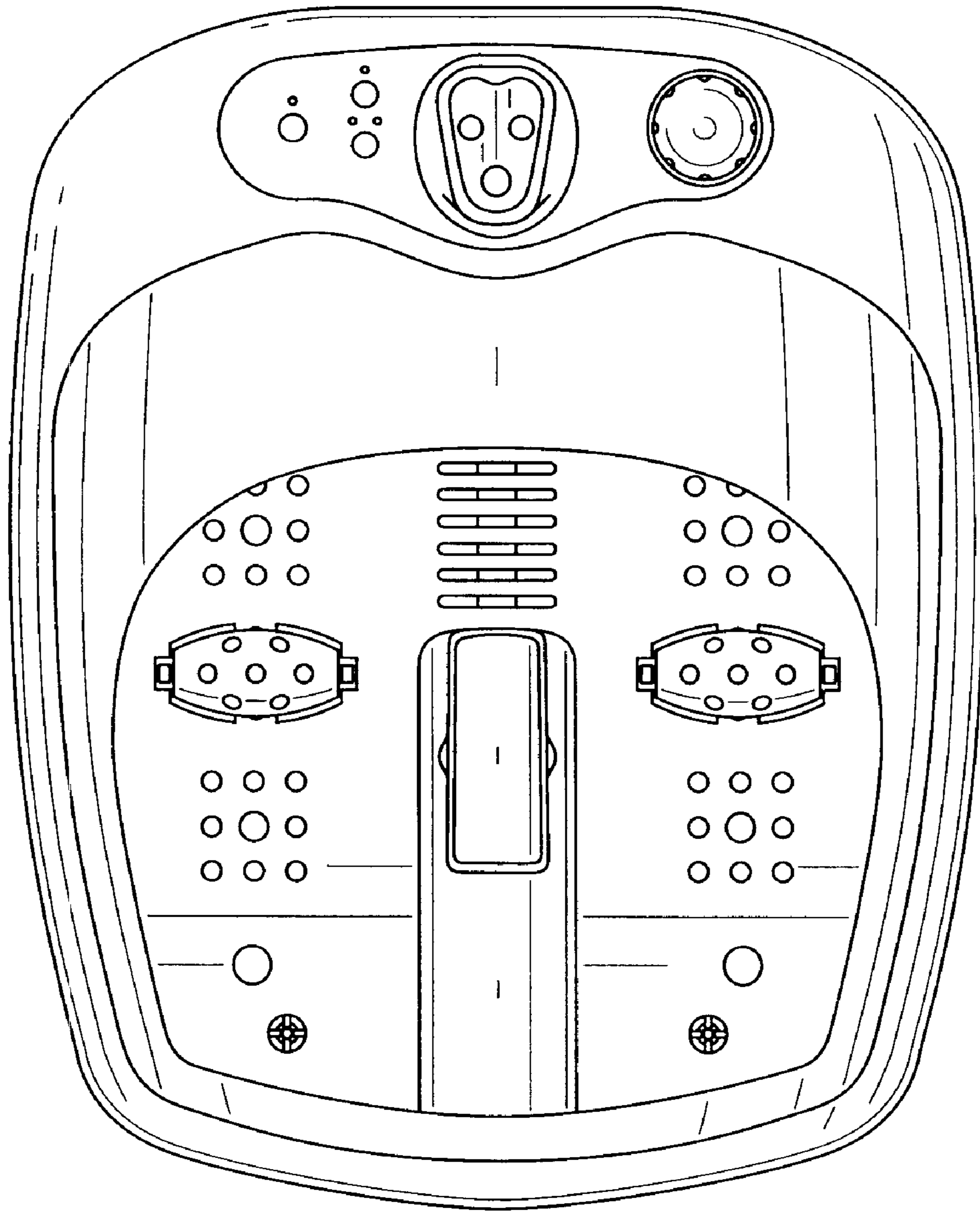


FIG. 4

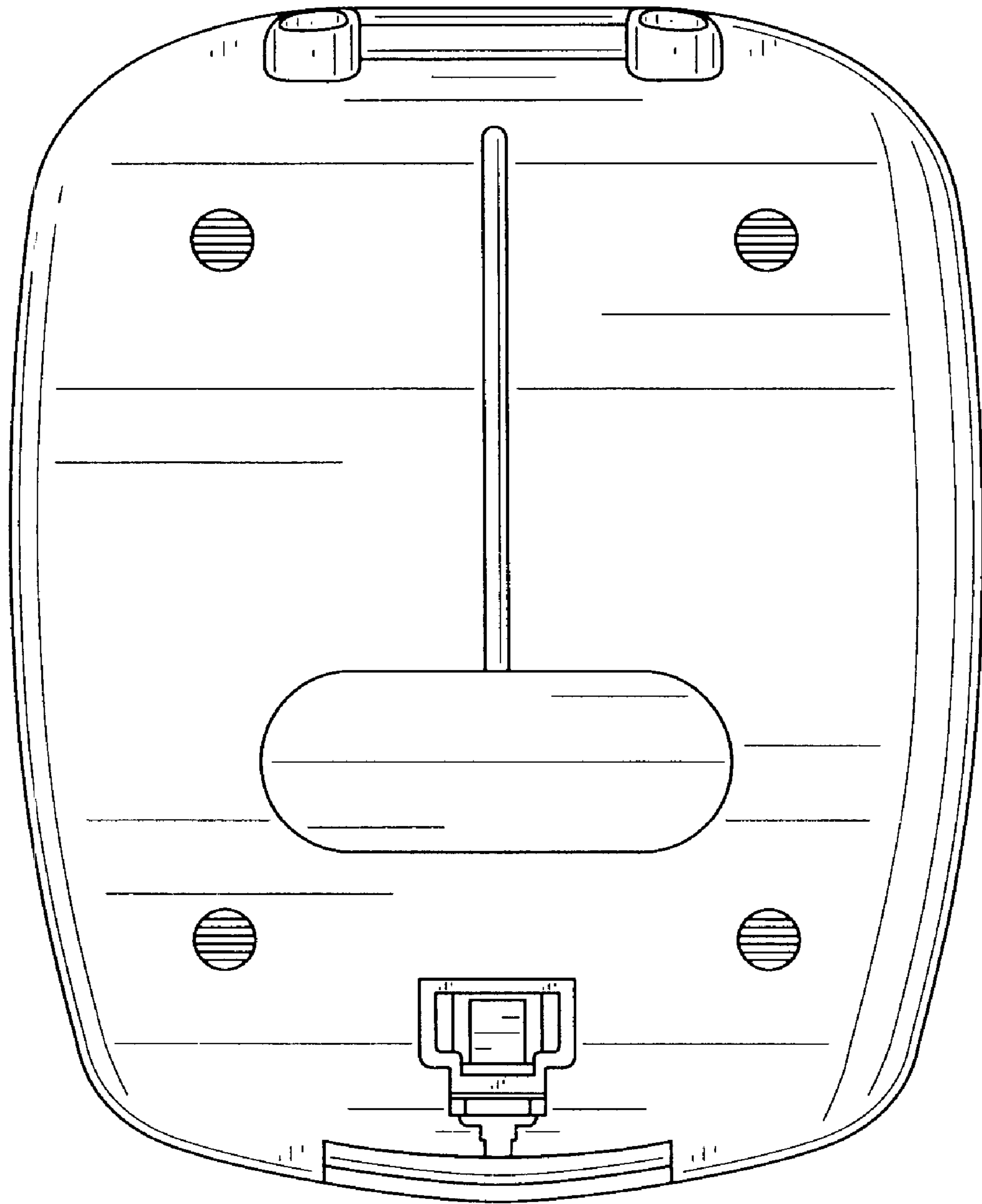


FIG. 5

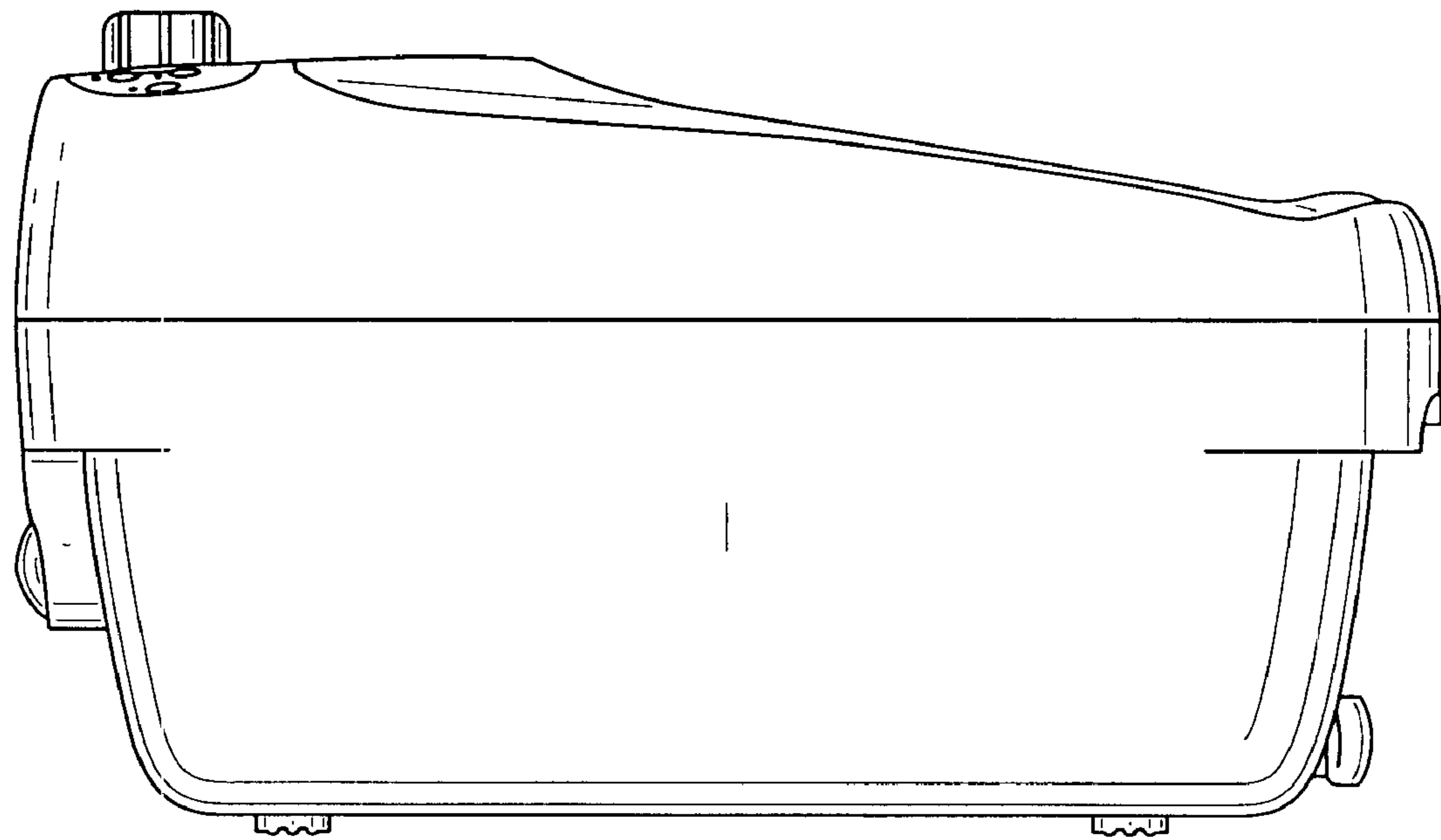


FIG. 6

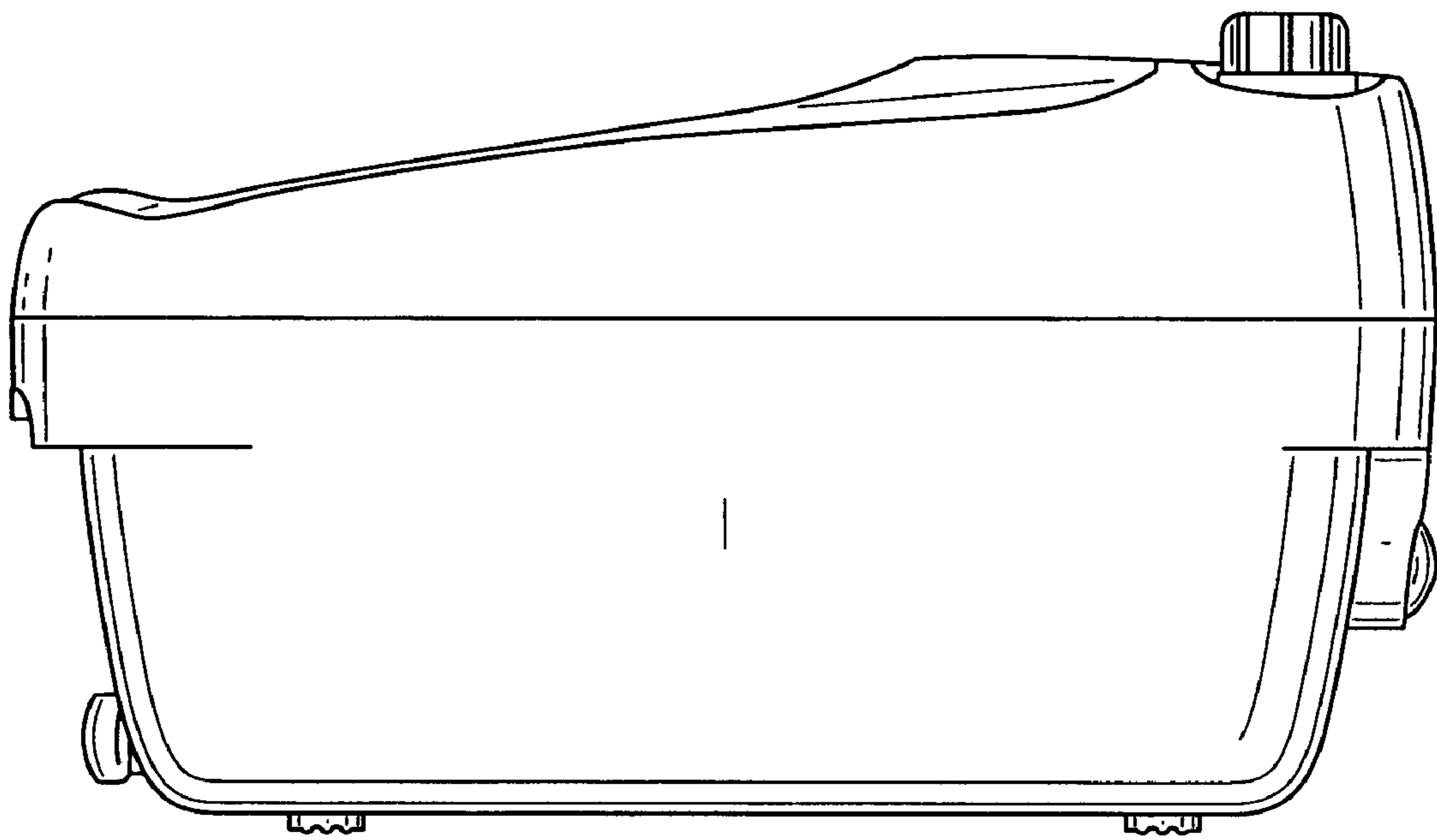


FIG. 7