



US00D531728S

(12) **United States Design Patent**
Helgeson

(10) **Patent No.:** **US D531,728 S**

(45) **Date of Patent:** **** Nov. 7, 2006**

(54) **COMBINED HUMAN BODY PULSATOR AND MOVABLE PEDESTAL**

(75) Inventor: **Lonnie J. Helgeson**, New Prague, MN (US)

(73) Assignee: **ElectroMed, INC**, New Prague, MN (US)

(**) Term: **14 Years**

(21) Appl. No.: **29/227,201**

(22) Filed: **Apr. 7, 2005**

(51) **LOC (8) Cl.** **29-02**

(52) **U.S. Cl.** **D24/164**

(58) **Field of Classification Search** D15/147;
D24/164, 167, 169, 185, 186; 92/98 R, 99,
92/140; 128/200.24; 417/53, 244, 32, 441,
417/557; 601/1, 6, 9, 11, 12, 16, 41, 43, 44,
601/46, 48, 148-151

See application file for complete search history.

(56) **References Cited**

U.S. PATENT DOCUMENTS

2,779,329	A	1/1957	Huxley, III et al.	
2,780,222	A	2/1957	Polzin et al.	
3,333,581	A	8/1967	Robinson et al.	
D241,275	S *	8/1976	Green	D24/169
4,838,263	A	6/1989	Warwick et al.	
D341,890	S *	11/1993	Sievert et al.	D24/169
D342,788	S *	12/1993	Weaver et al.	D24/167
5,569,170	A *	10/1996	Hansen	601/150
5,769,800	A	6/1998	Gelfand et al.	
6,036,662	A	3/2000	Van Brunt et al.	
6,547,749	B1 *	4/2003	Hansen	601/48

6,676,614	B1 *	1/2004	Hansen et al.	601/41
D518,267	S *	3/2006	Arceta	D34/14
2001/0007928	A1 *	7/2001	Hansen	601/41
2002/0016560	A1 *	2/2002	Hansen	601/48
2006/0009718	A1 *	1/2006	Van Brunt et al.	601/41

* cited by examiner

Primary Examiner—Antoine D. Davis

Assistant Examiner—Patricia Palasik

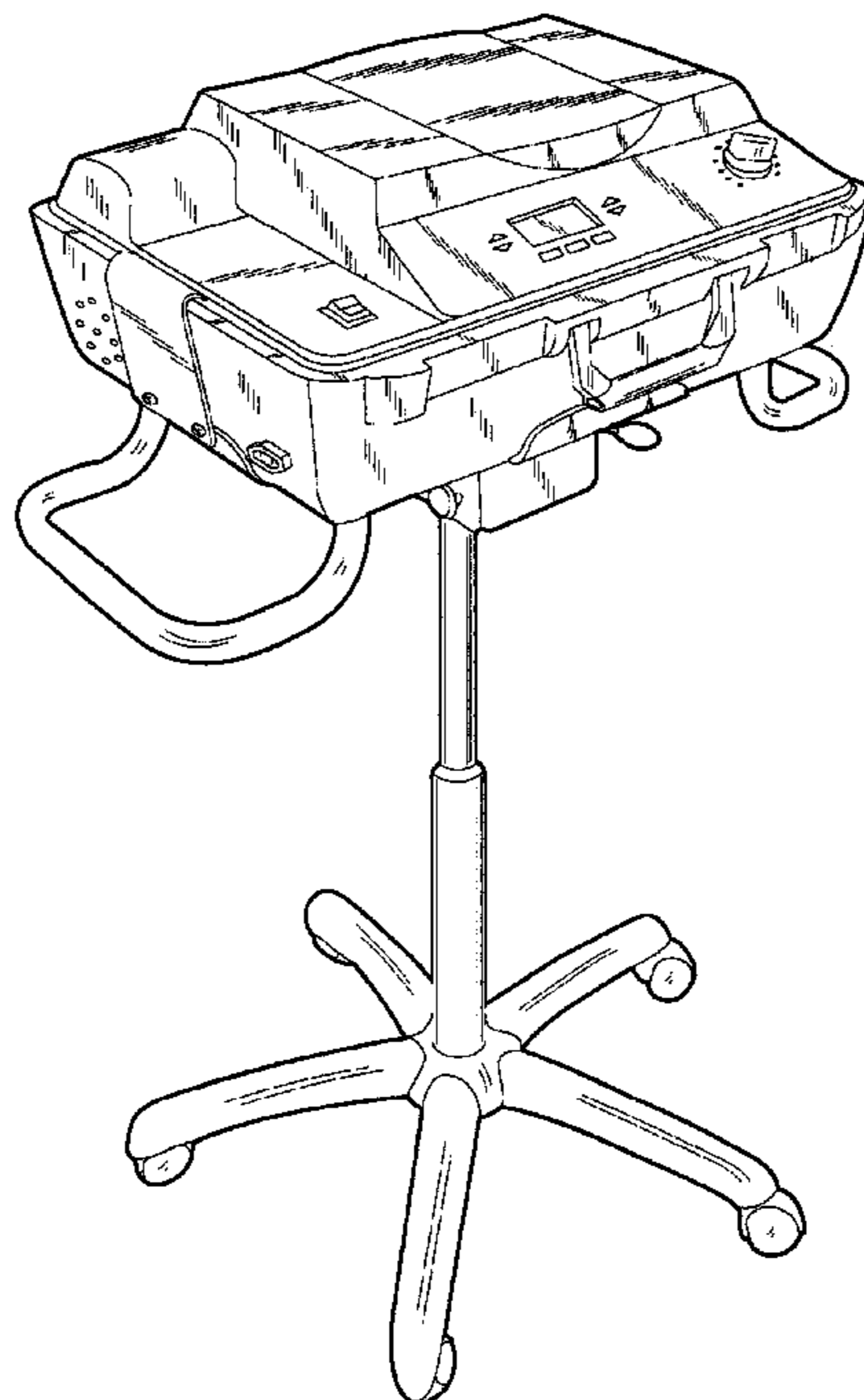
(57) **CLAIM**

The ornamental design of a combined human body pulsator and movable pedestal, as shown and described.

DESCRIPTION

FIG. 1 is a perspective view of a combined human body pulsator and movable pedestal of my design;
 FIG. 2 is a front elevational view thereof;
 FIG. 3 is a rear elevational view thereof;
 FIG. 4 is a side elevational view of the right side thereof;
 FIG. 5 is a side elevational view of the left side thereof;
 FIG. 6 is a top plan view thereof;
 FIG. 7 is a bottom plan view thereof;
 FIG. 8 is a perspective view of a modification of the combined human body pulsator and movable pedestal of FIG. 1;
 FIG. 9 is a front elevational view of FIG. 8;
 FIG. 10 is a rear elevational view of FIG. 8;
 FIG. 11 is a side elevational view of the right side of FIG. 8;
 FIG. 12 is a side elevational view of the left side of FIG. 8;
 FIG. 13 is a top plan view thereof; and,
 FIG. 14 is a bottom plan view thereof.

1 Claim, 14 Drawing Sheets



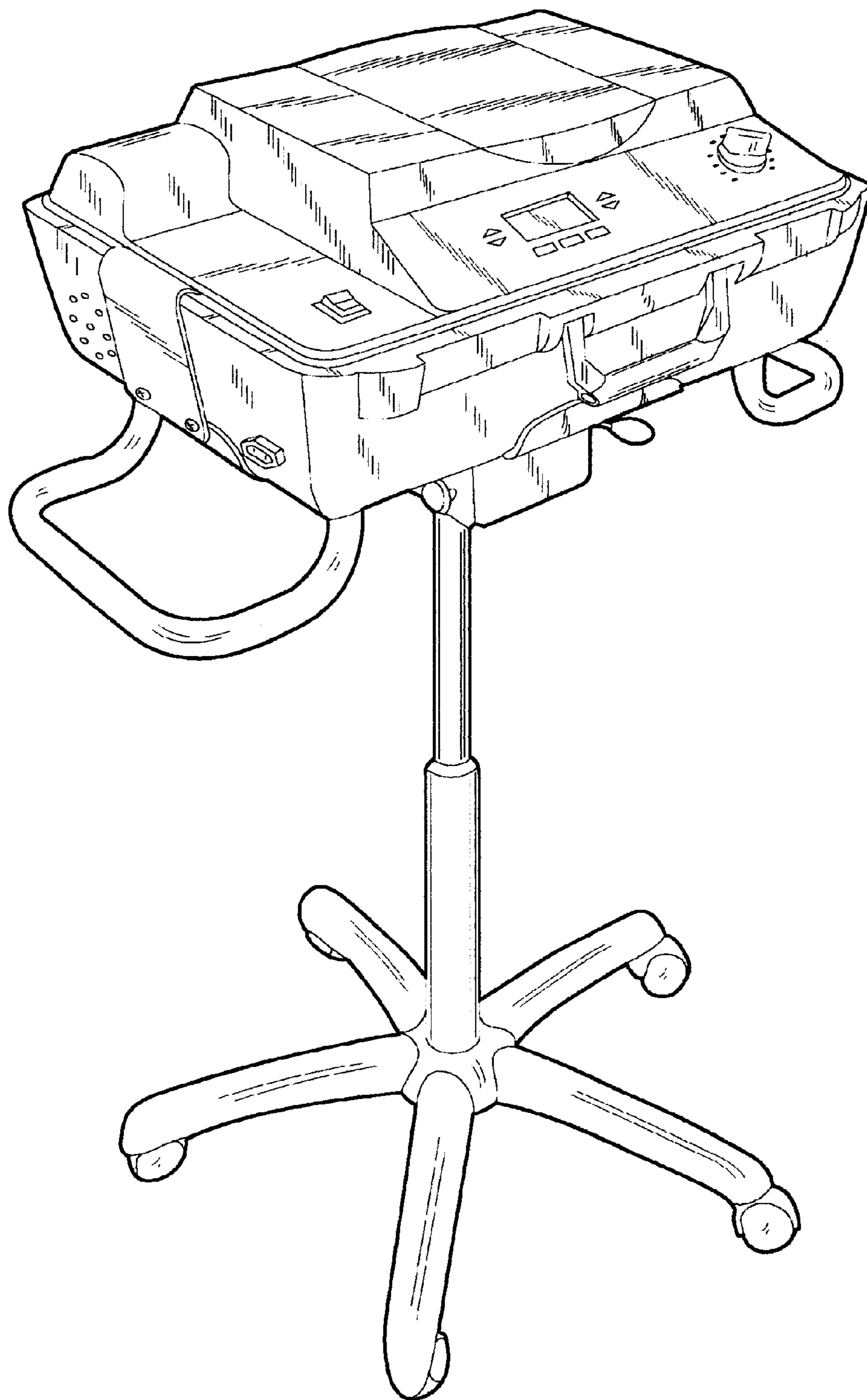


FIG. 1

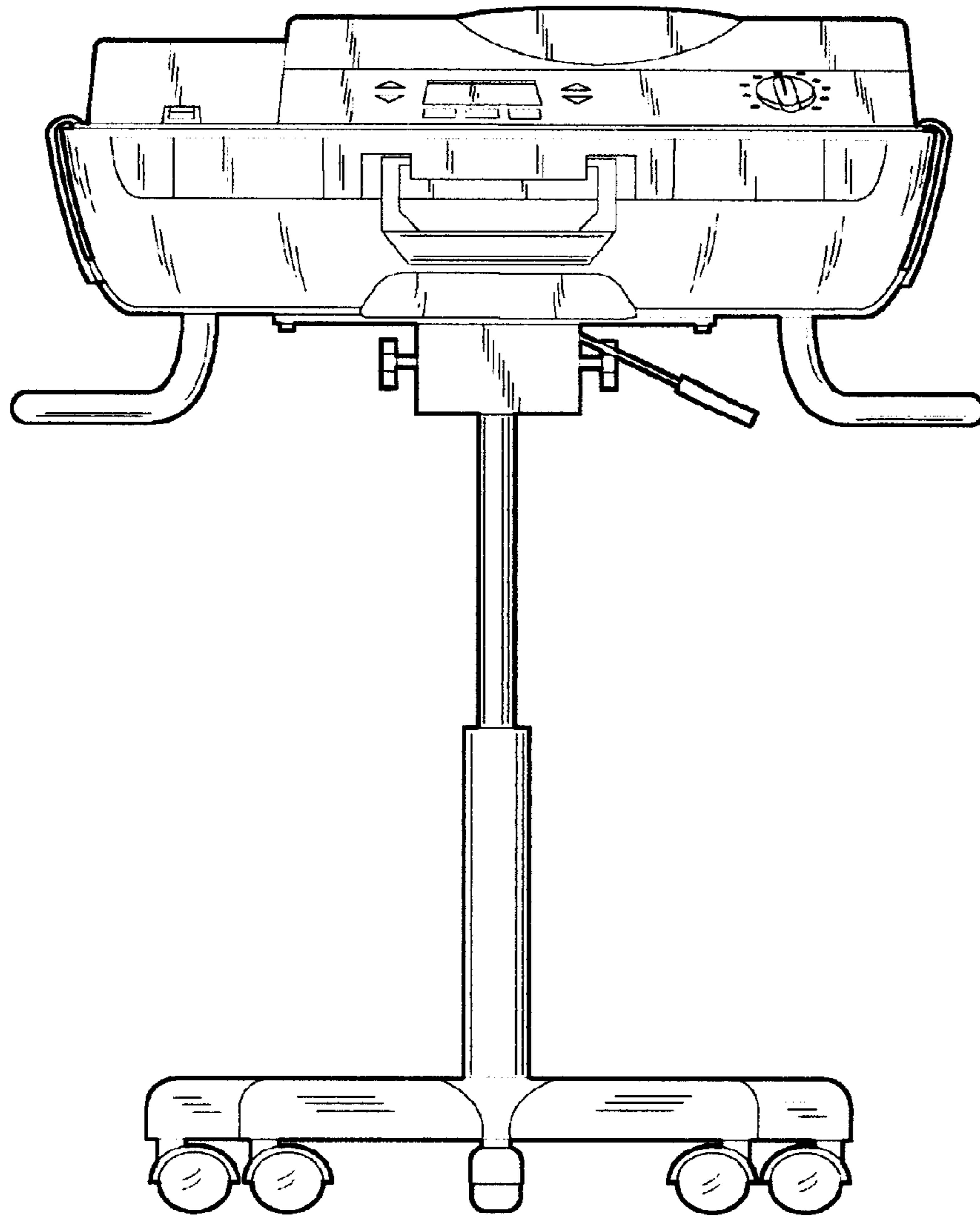


FIG. 2

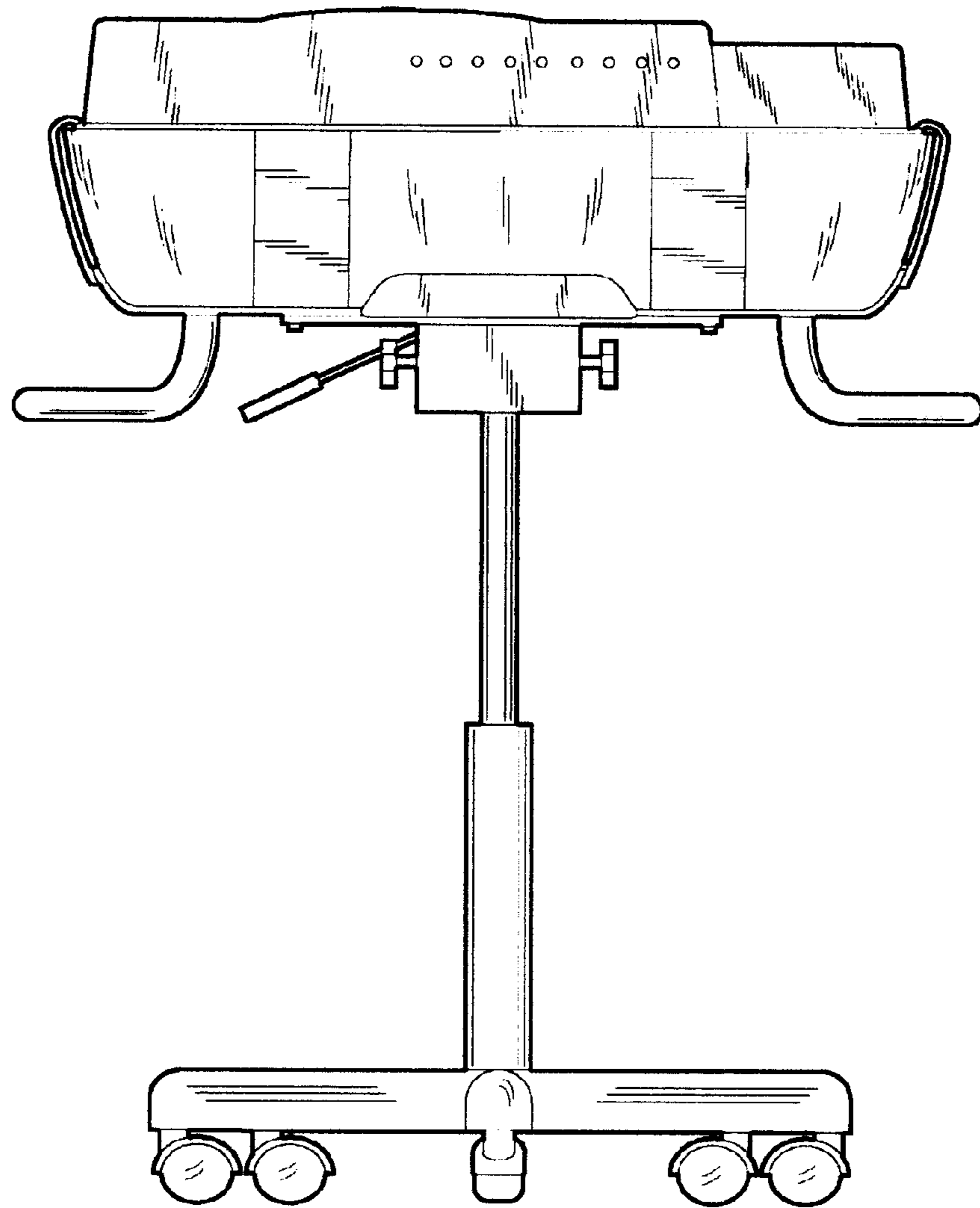


FIG. 3

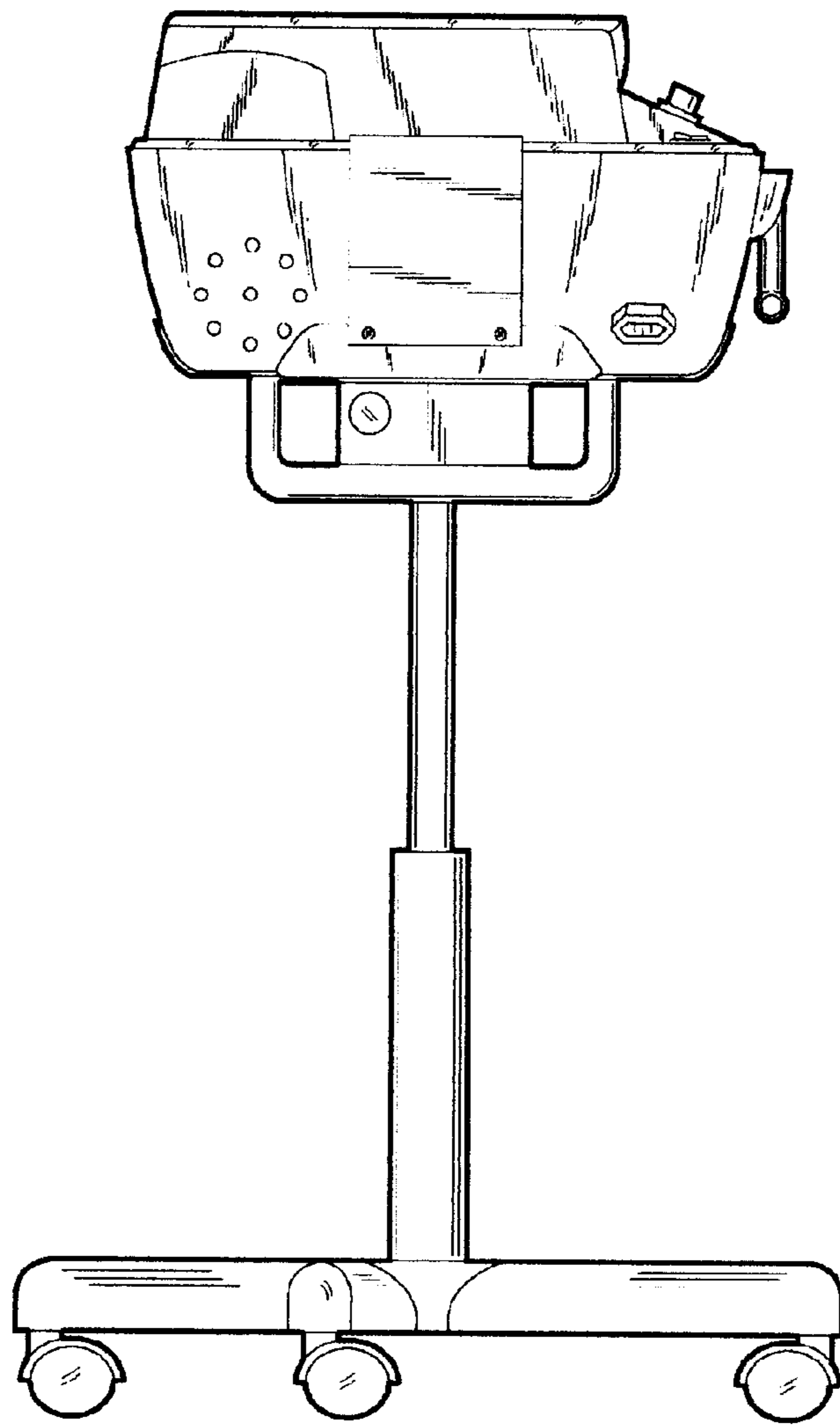


FIG. 4

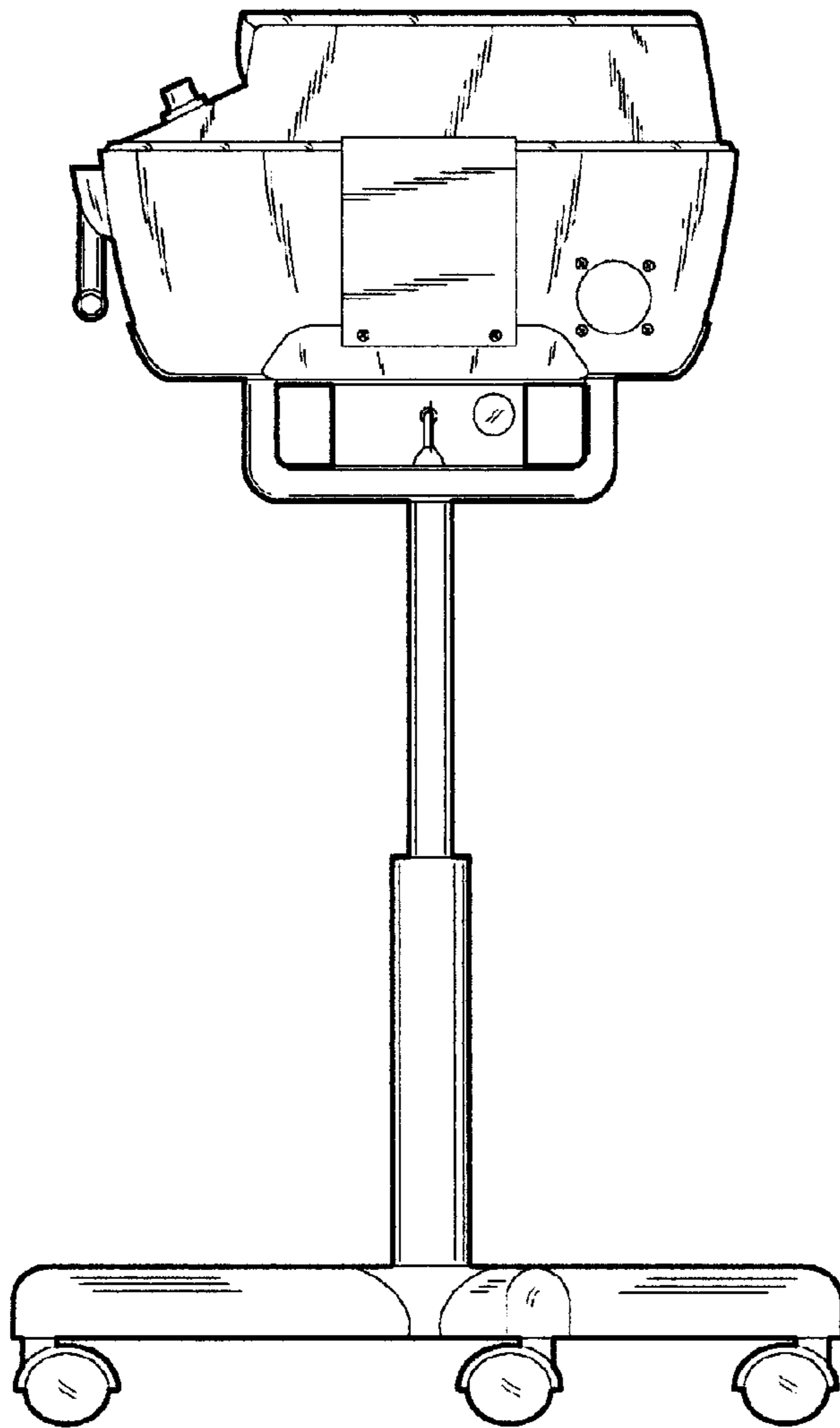


FIG. 5

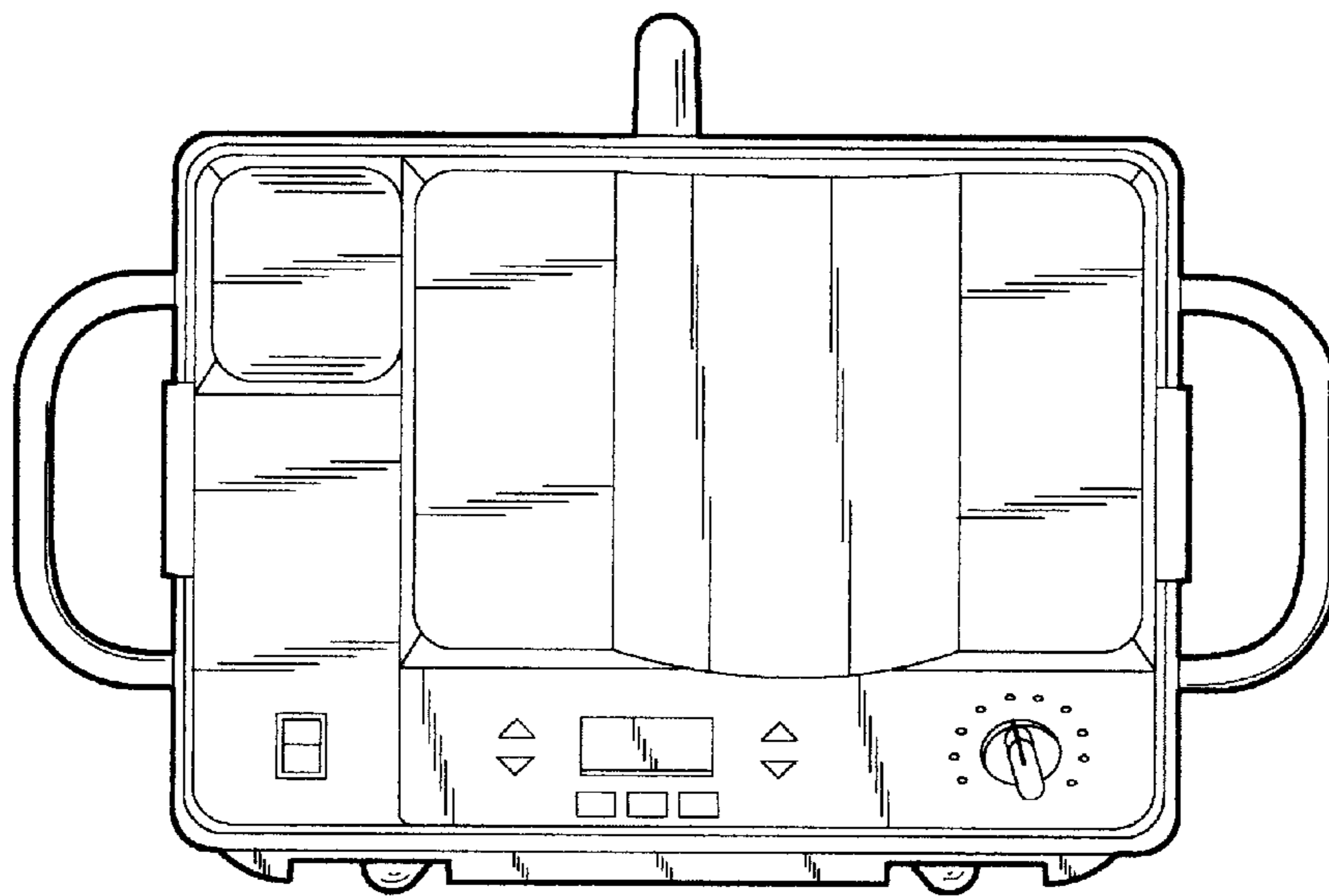


FIG. 6

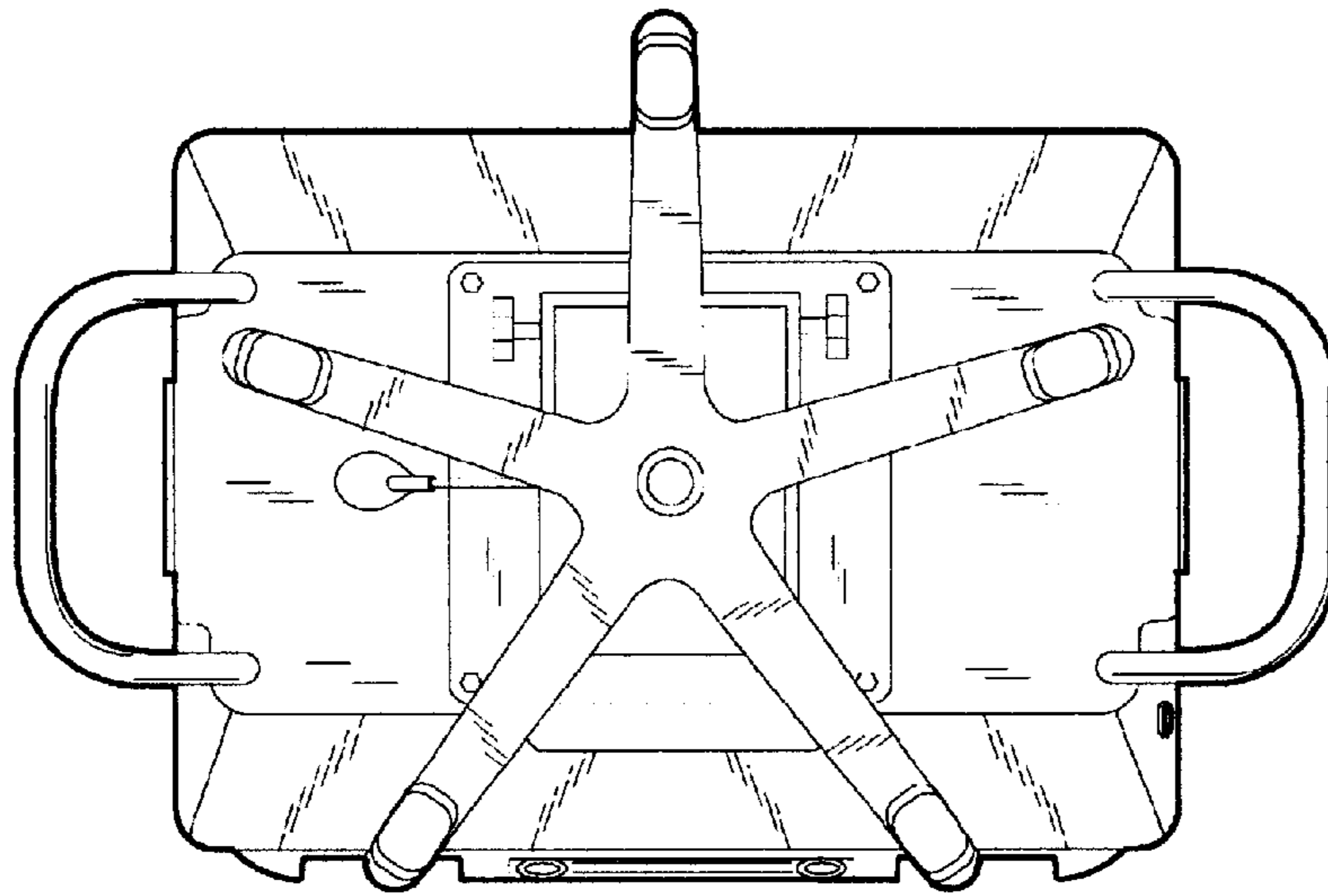


FIG. 7

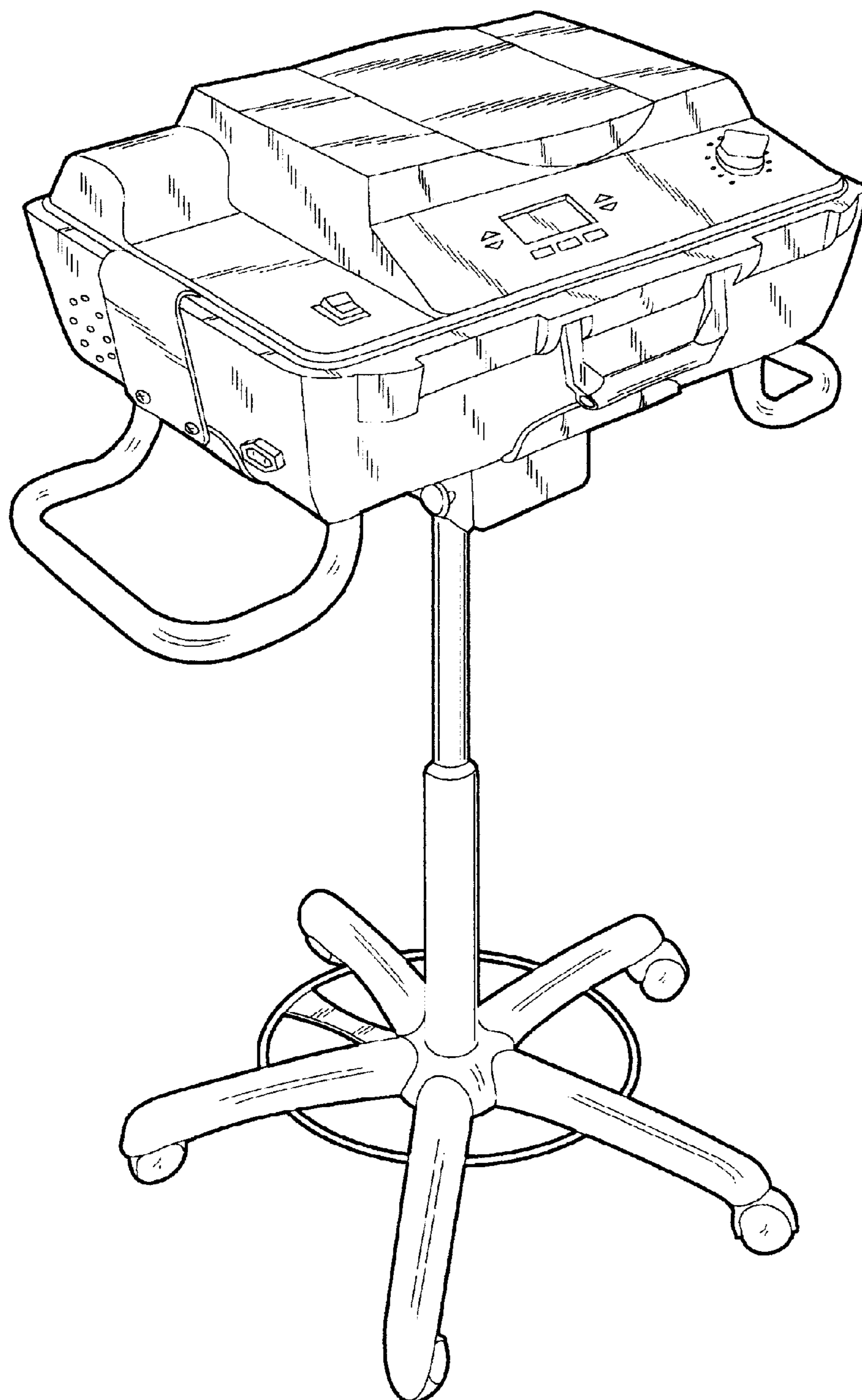


FIG. 8

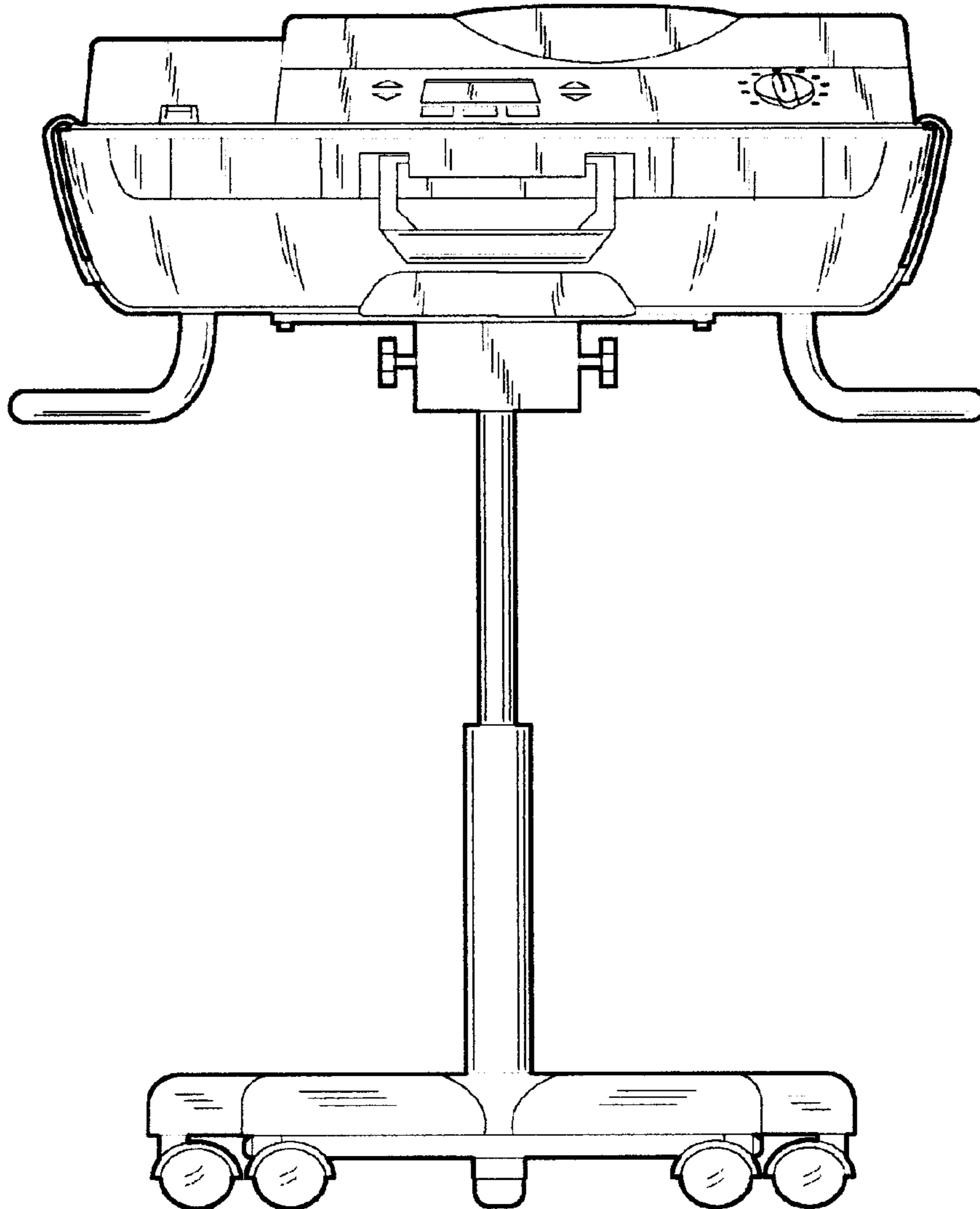


FIG. 9

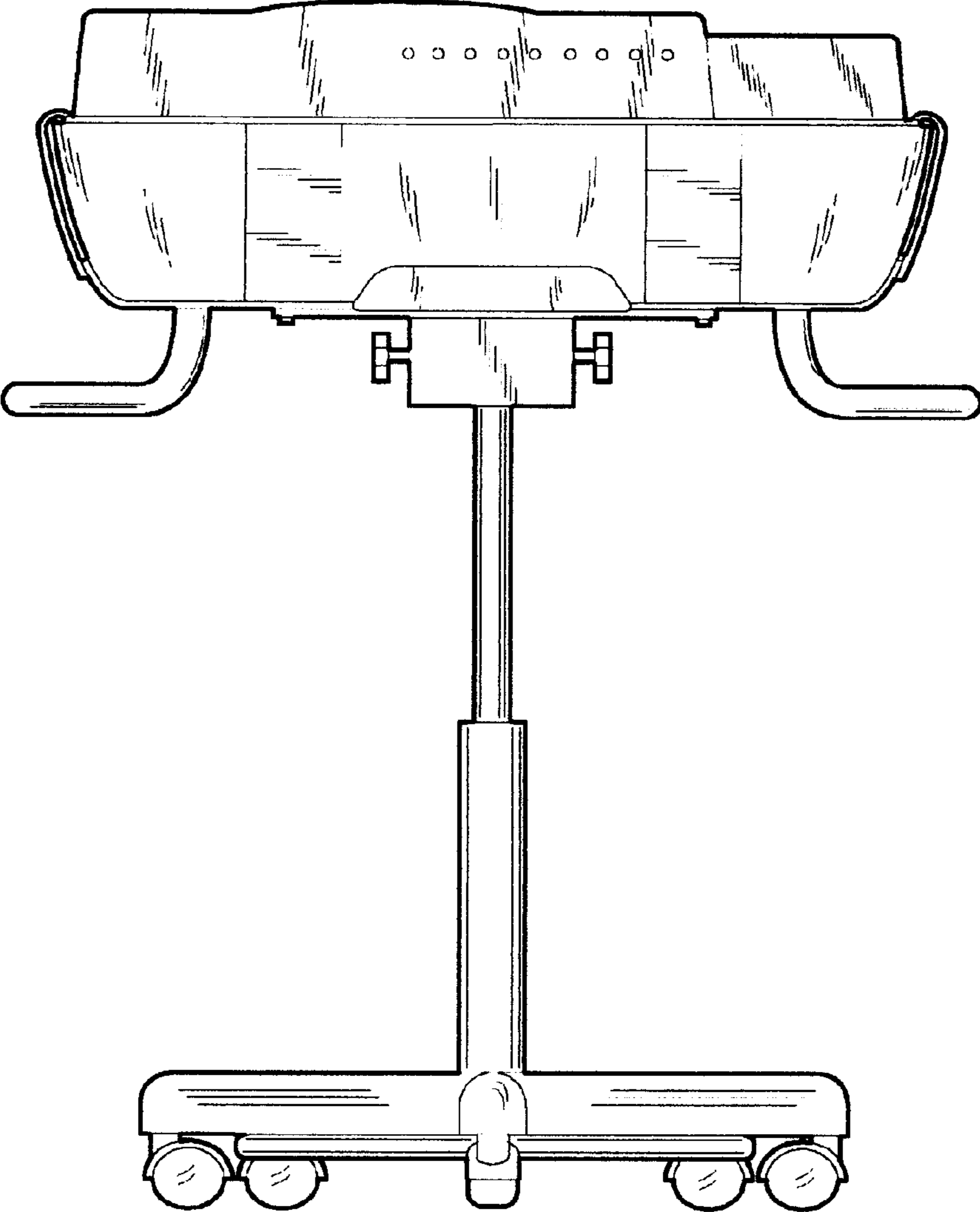


FIG. 10

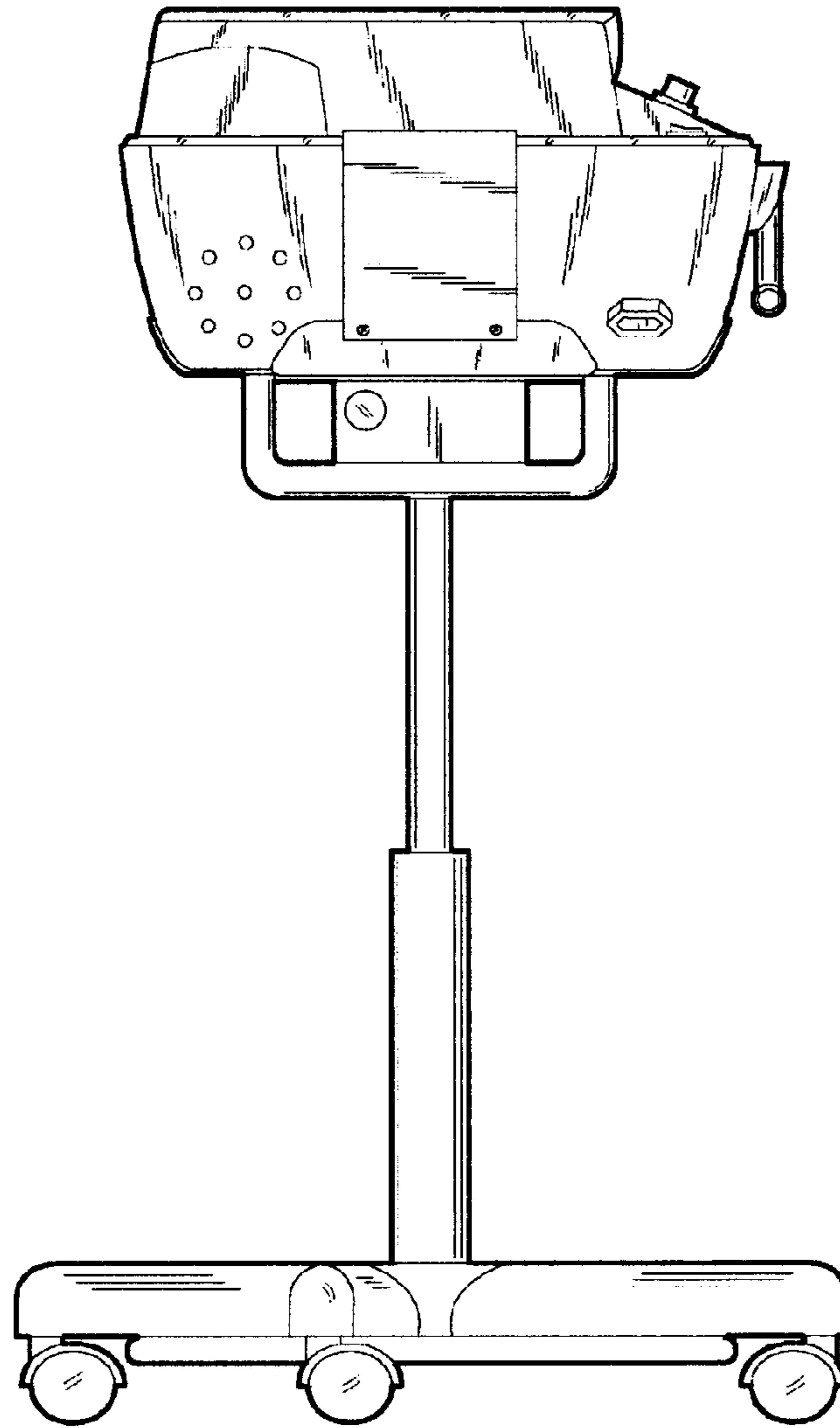


FIG. 11

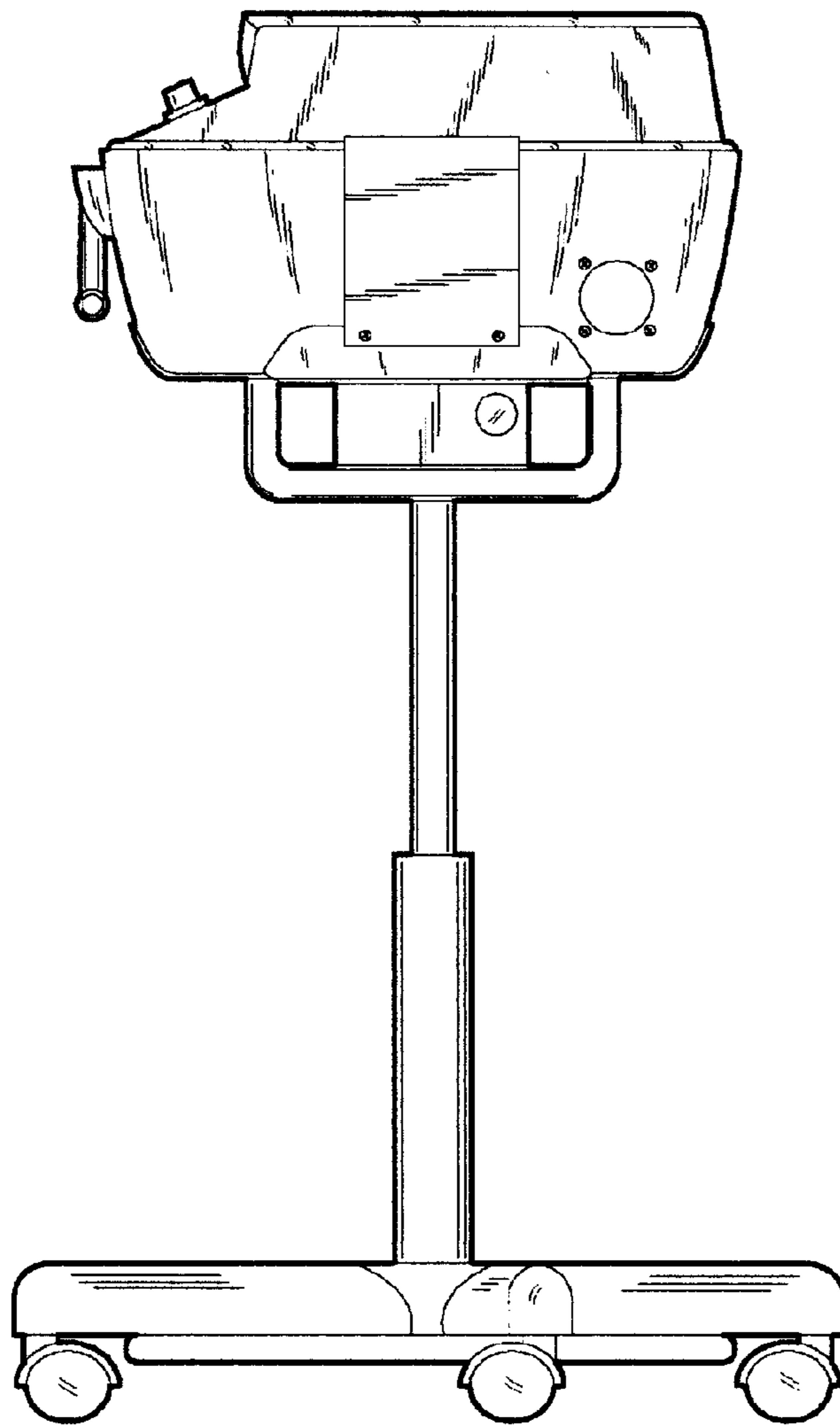


FIG. 12

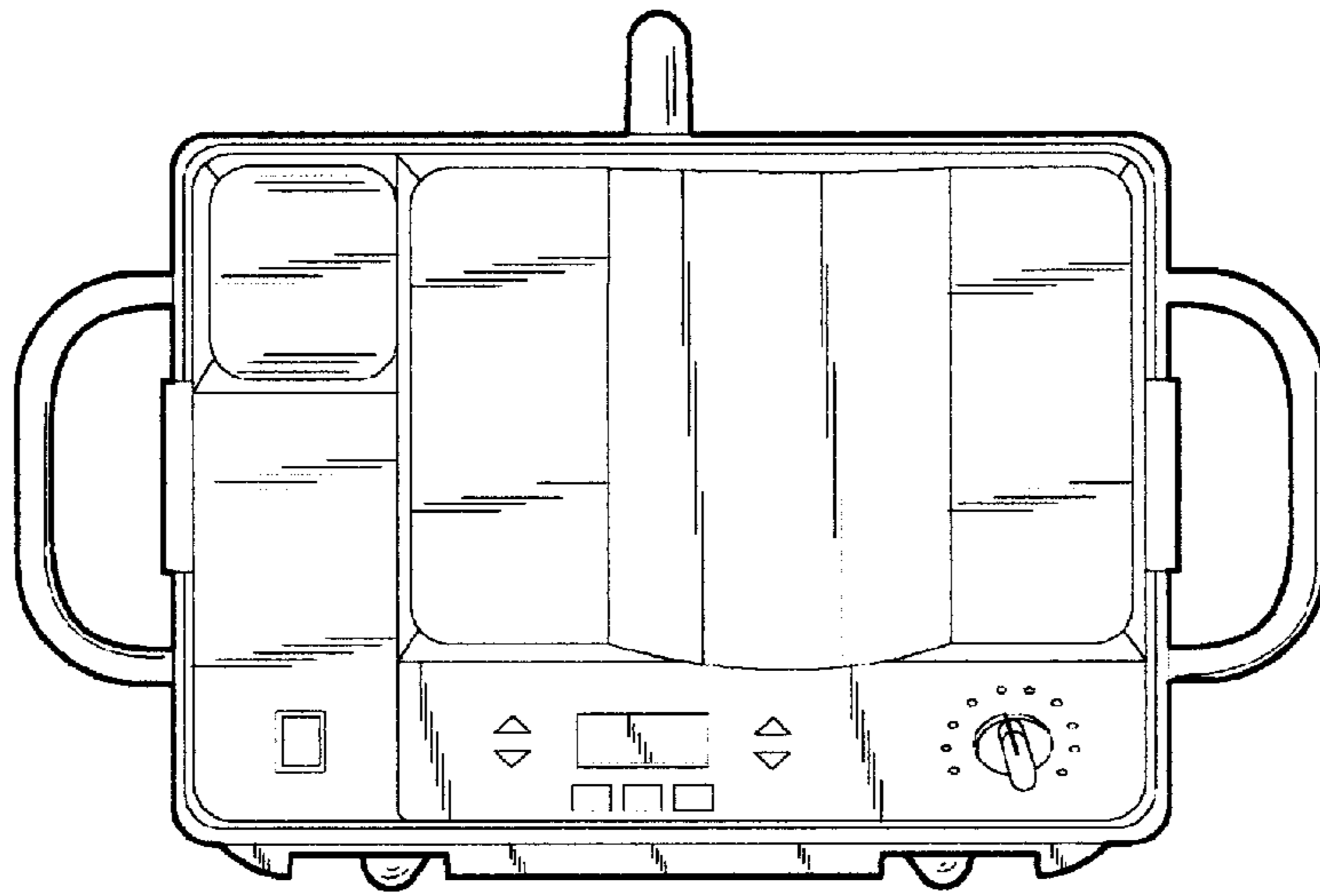


FIG. 13

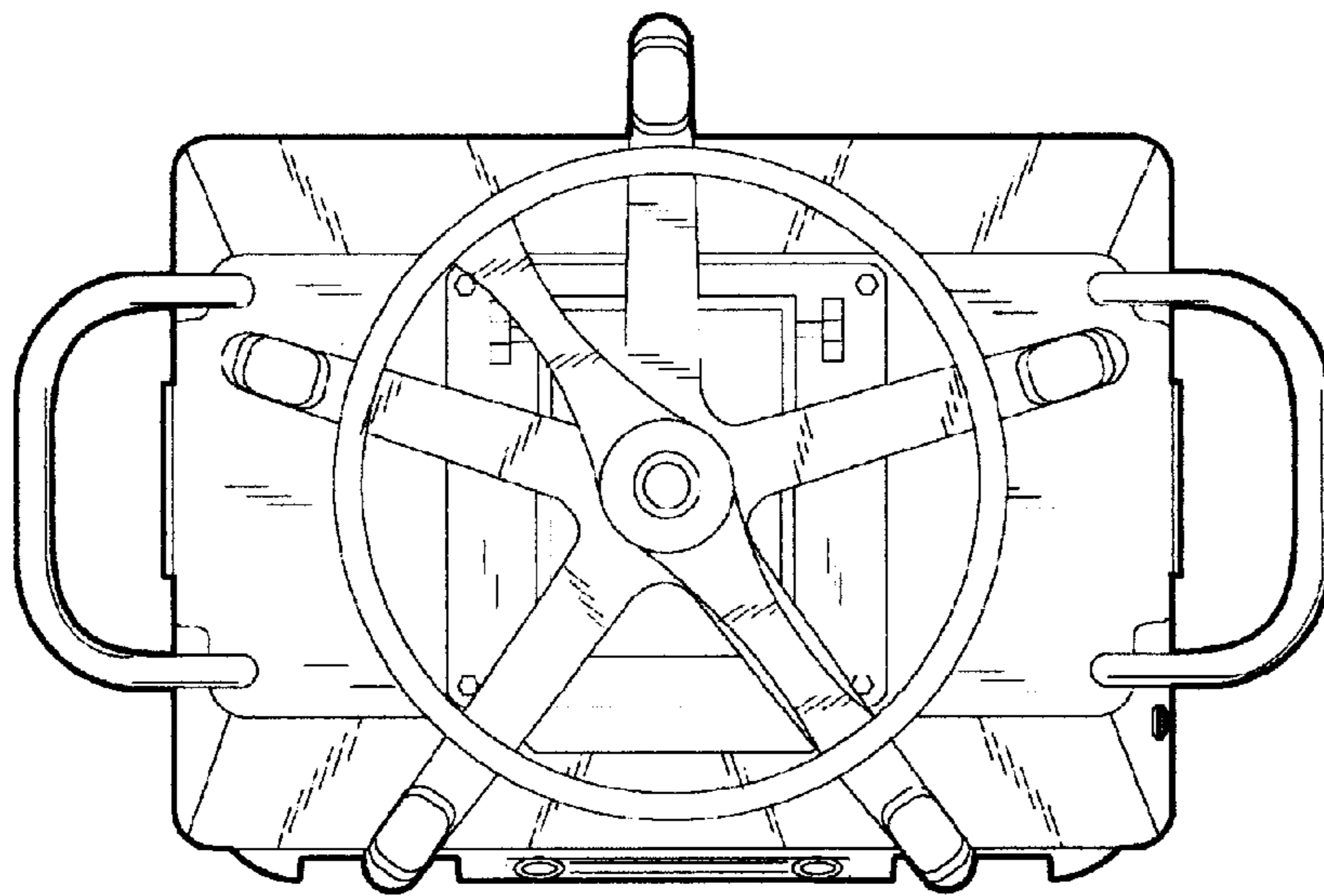


FIG. 14