



US00D531725S

(12) **United States Design Patent**
Loerwald et al.

(10) **Patent No.:** **US D531,725 S**
(45) **Date of Patent:** **** Nov. 7, 2006**

(54) **LANCING DEVICE**

(75) Inventors: **Dieter Loerwald**, Hamburg (DE); **Don Alden**, Sunnyvale, CA (US); **Dirk Boecker**, Palo Alto, CA (US); **Dominique Freeman**, La Honda, CA (US)

(73) Assignee: **Pelikan Technolgies, Inc.**, Palo Alto, CA (US)

(**) Term: **14 Years**

(21) Appl. No.: **29/193,262**

(22) Filed: **Nov. 5, 2003**

(51) **LOC (8) Cl.** **24-02**

(52) **U.S. Cl.** **D24/146**

(58) **Field of Classification Search** D24/146, D24/147, 185, 186, 165; D14/489; 600/573, 600/584, 583, 578; 606/181, 182, 184
See application file for complete search history.

(56) **References Cited**

U.S. PATENT DOCUMENTS

6,302,855 B1 * 10/2001 Lav et al. 600/584
6,379,317 B1 * 4/2002 Kintzig et al. 600/573

6,506,168 B1 * 1/2003 Fathallah et al. 600/578
6,706,159 B1 * 3/2004 Moerman et al. 606/185
2003/0212424 A1 * 11/2003 Briggs et al. 606/181
2003/0223906 A1 * 12/2003 McAllister et al. 600/583
2004/0138588 A1 * 7/2004 Saikley et al. 600/583

* cited by examiner

Primary Examiner—Ian Simmons

Assistant Examiner—Christopher Lee

(74) *Attorney, Agent, or Firm*—Paul Davis; Heller Ehrman LLP

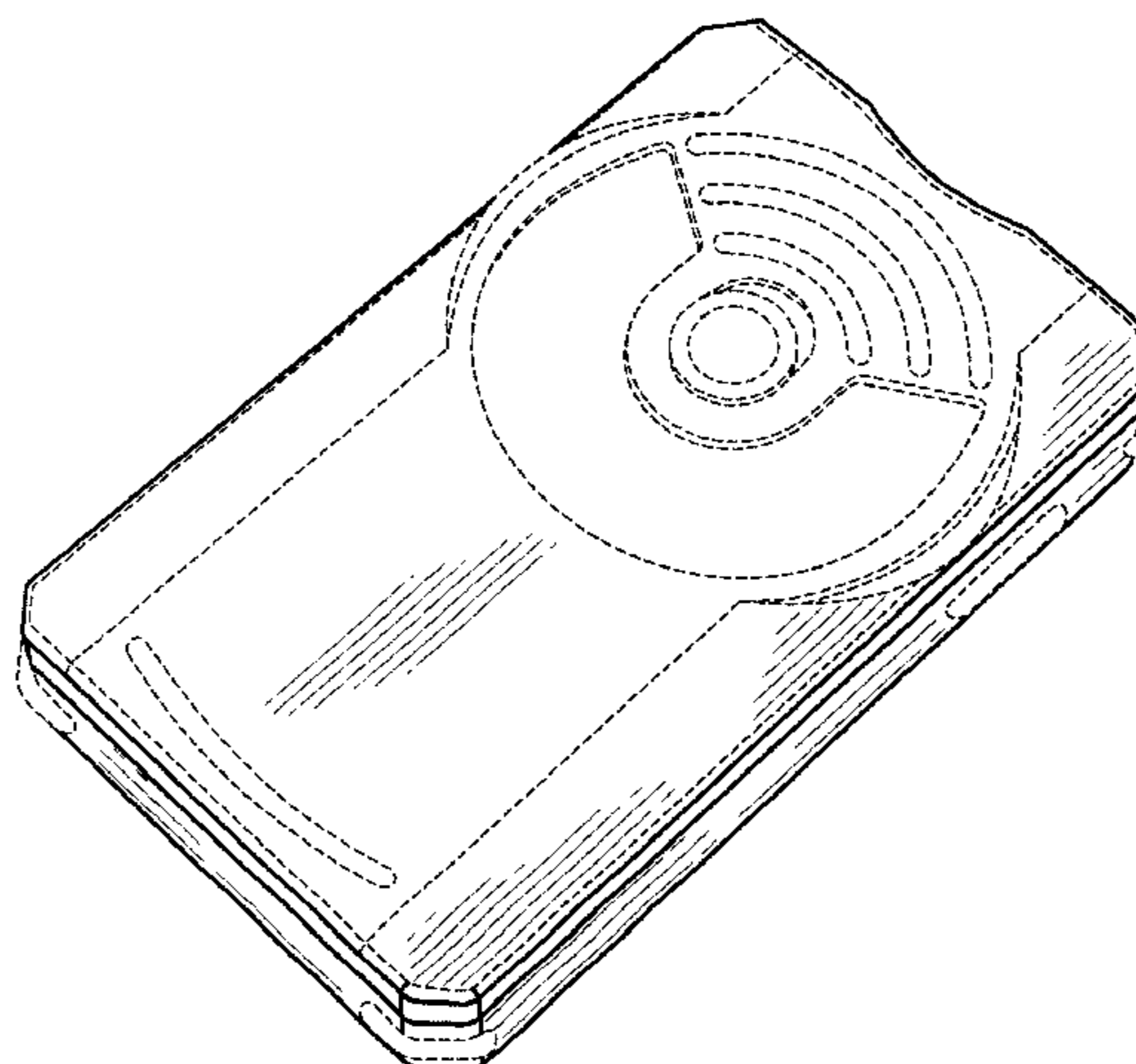
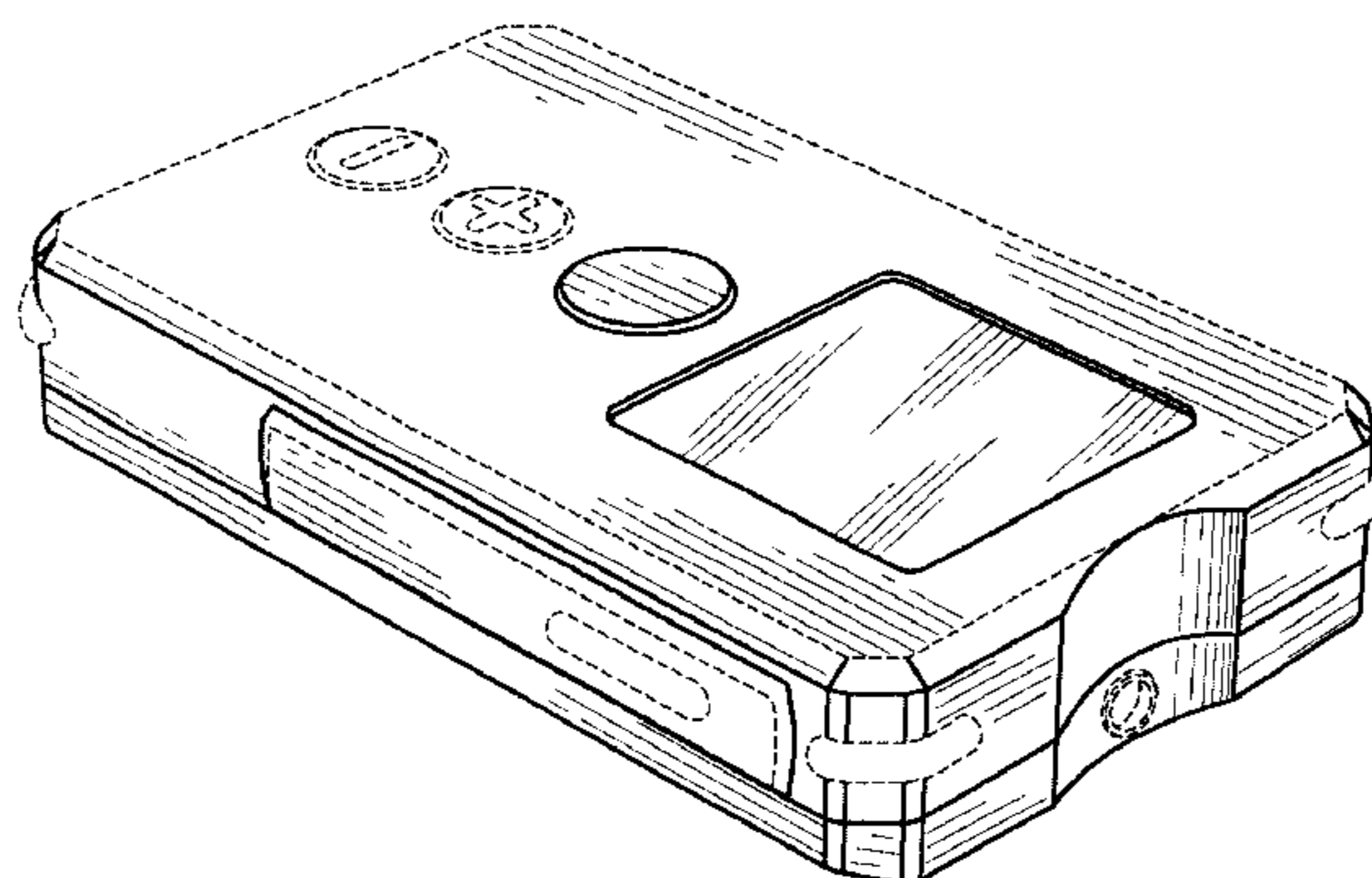
(57) **CLAIM**

The ornamental design for a lancing device, as shown and described.

DESCRIPTION

FIG. 1 is a front view of a lancing device showing our new design, the broken line drawing in the figure represent elements shown for illustrative purposes only and which form no part of the claimed design;
FIG. 2 is a top plan view thereof;
FIG. 3 is a side view thereof;
FIG. 4 is a rear view thereof;
FIG. 5 is a upper front perspective view thereof; and,
FIG. 6 is a rear lower perspective view thereof.

1 Claim, 3 Drawing Sheets



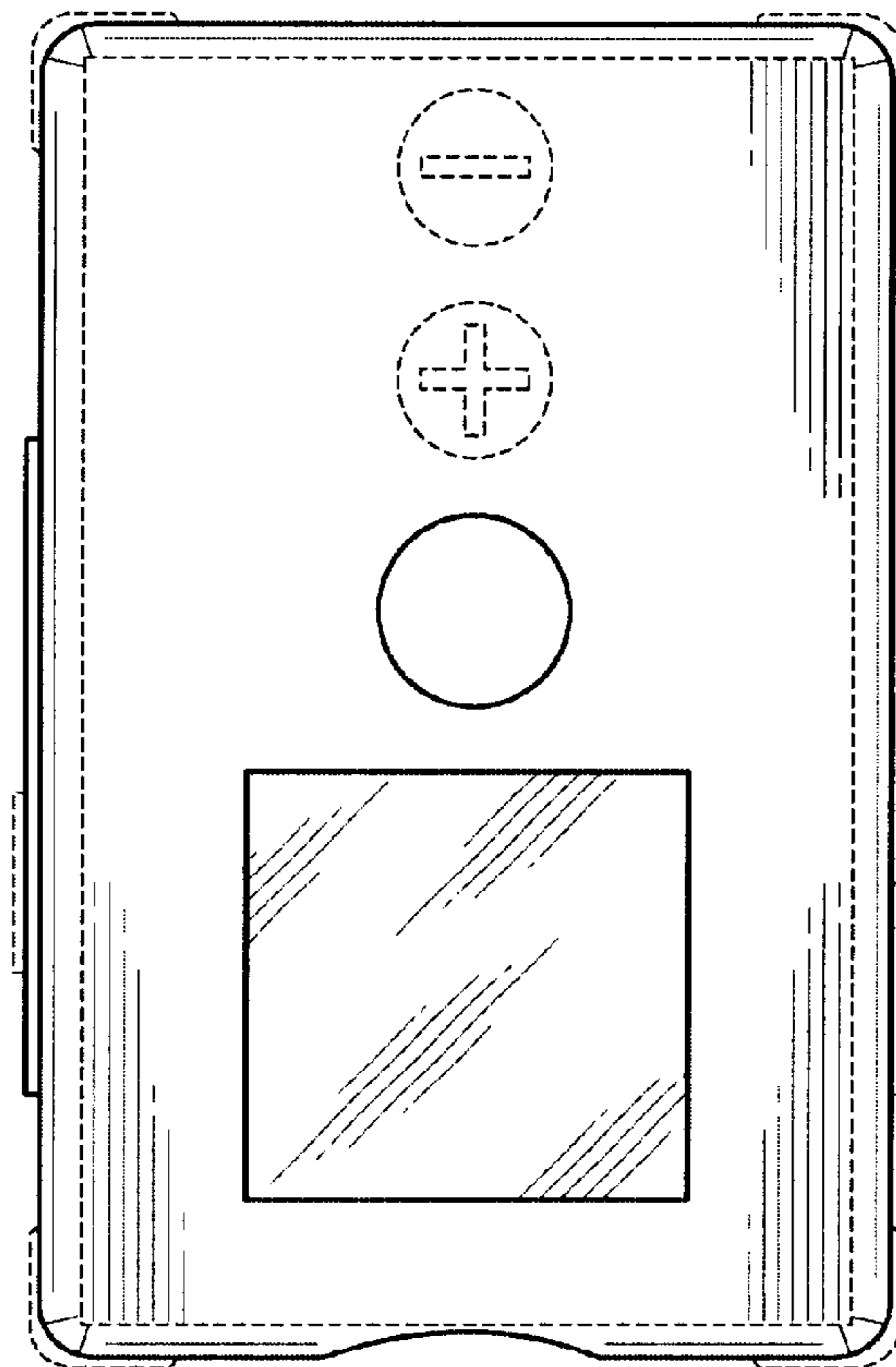


FIG. 1

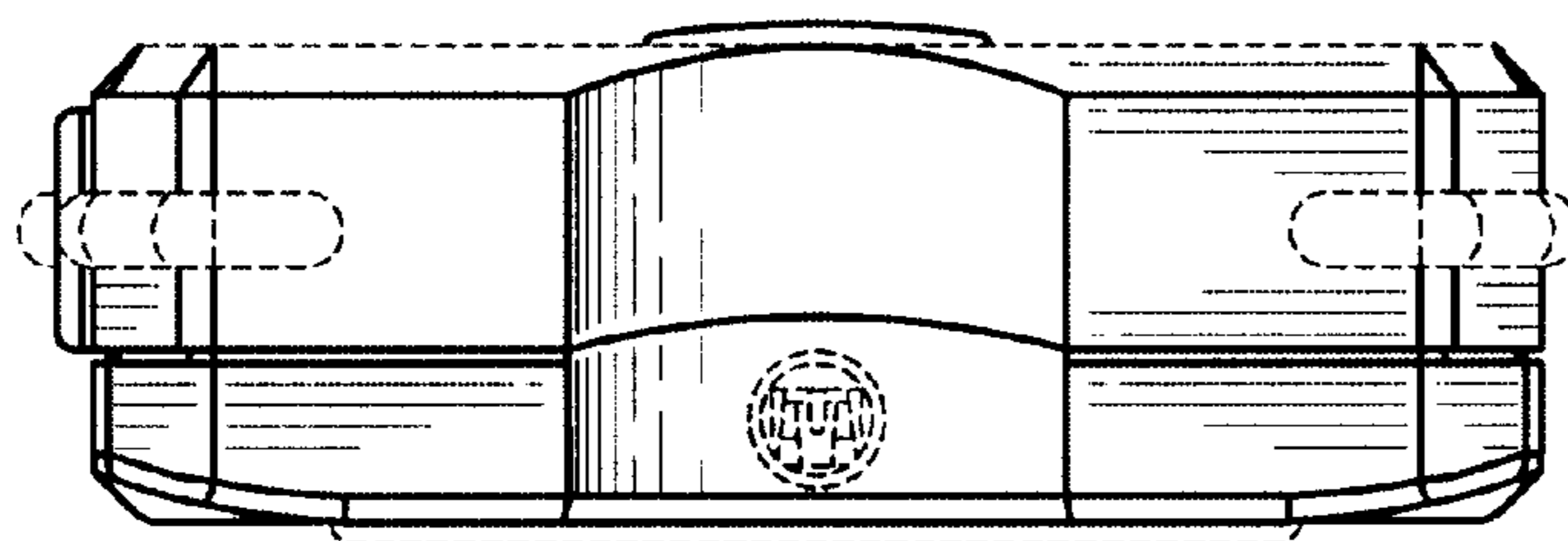


FIG. 2

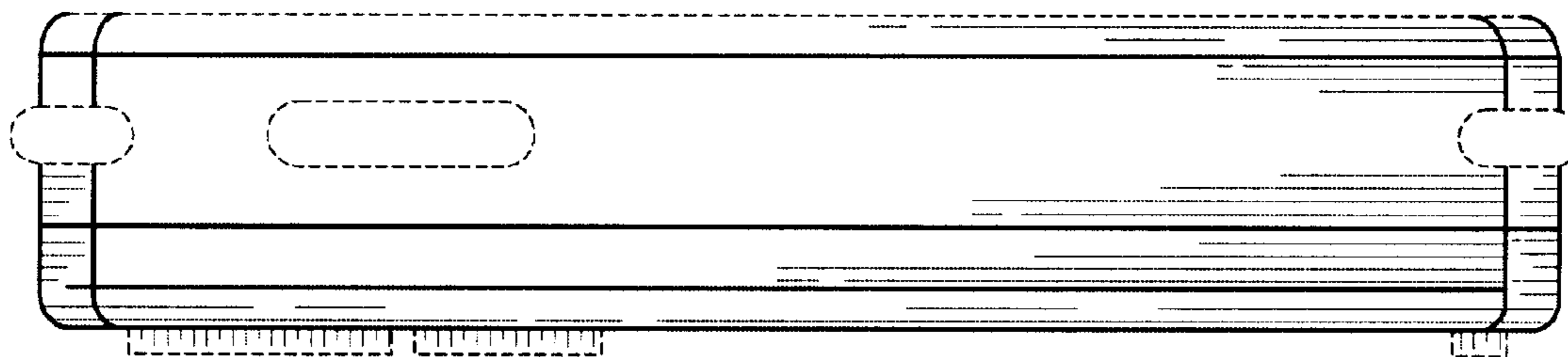


FIG. 3

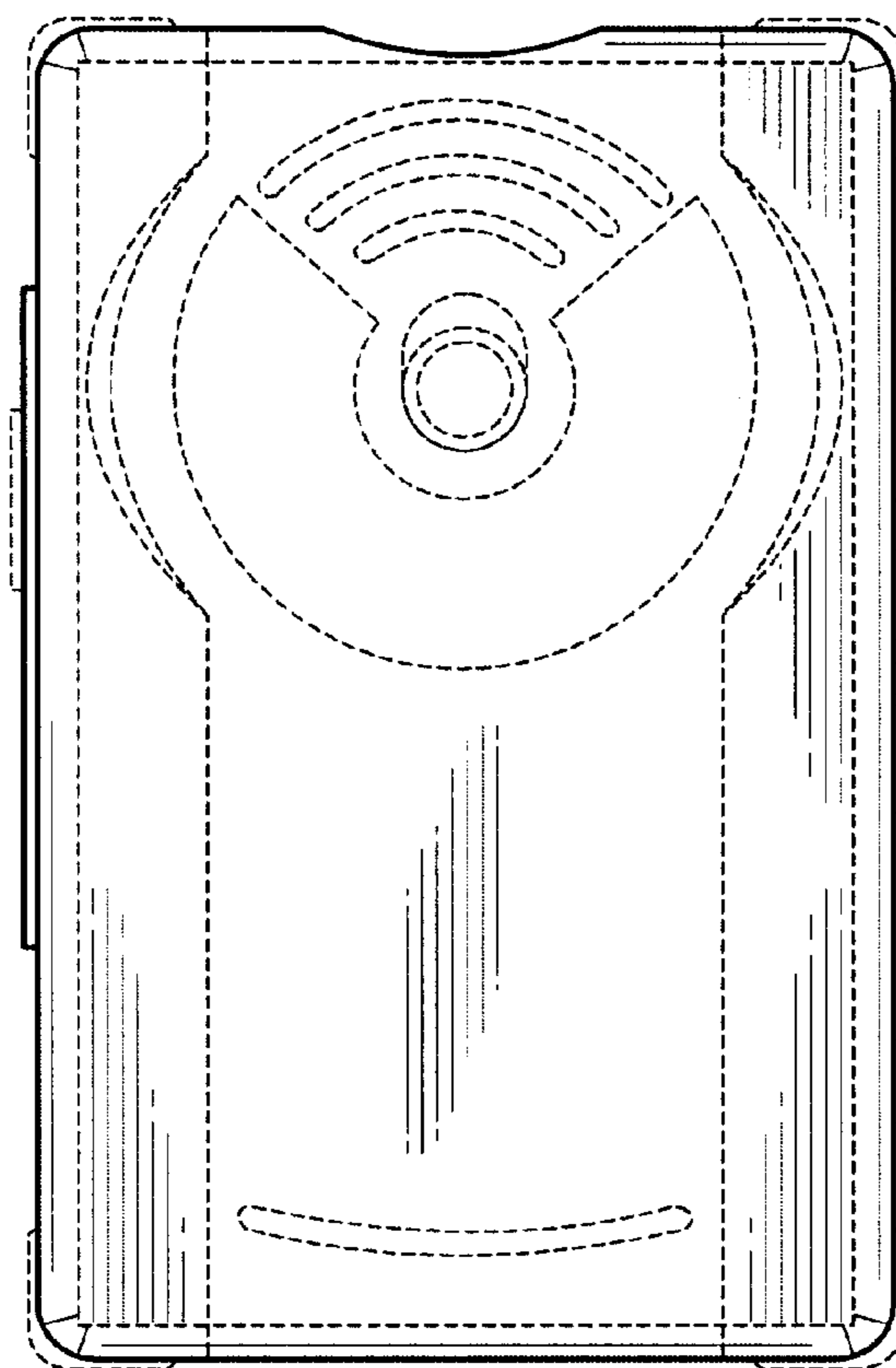


FIG. 4

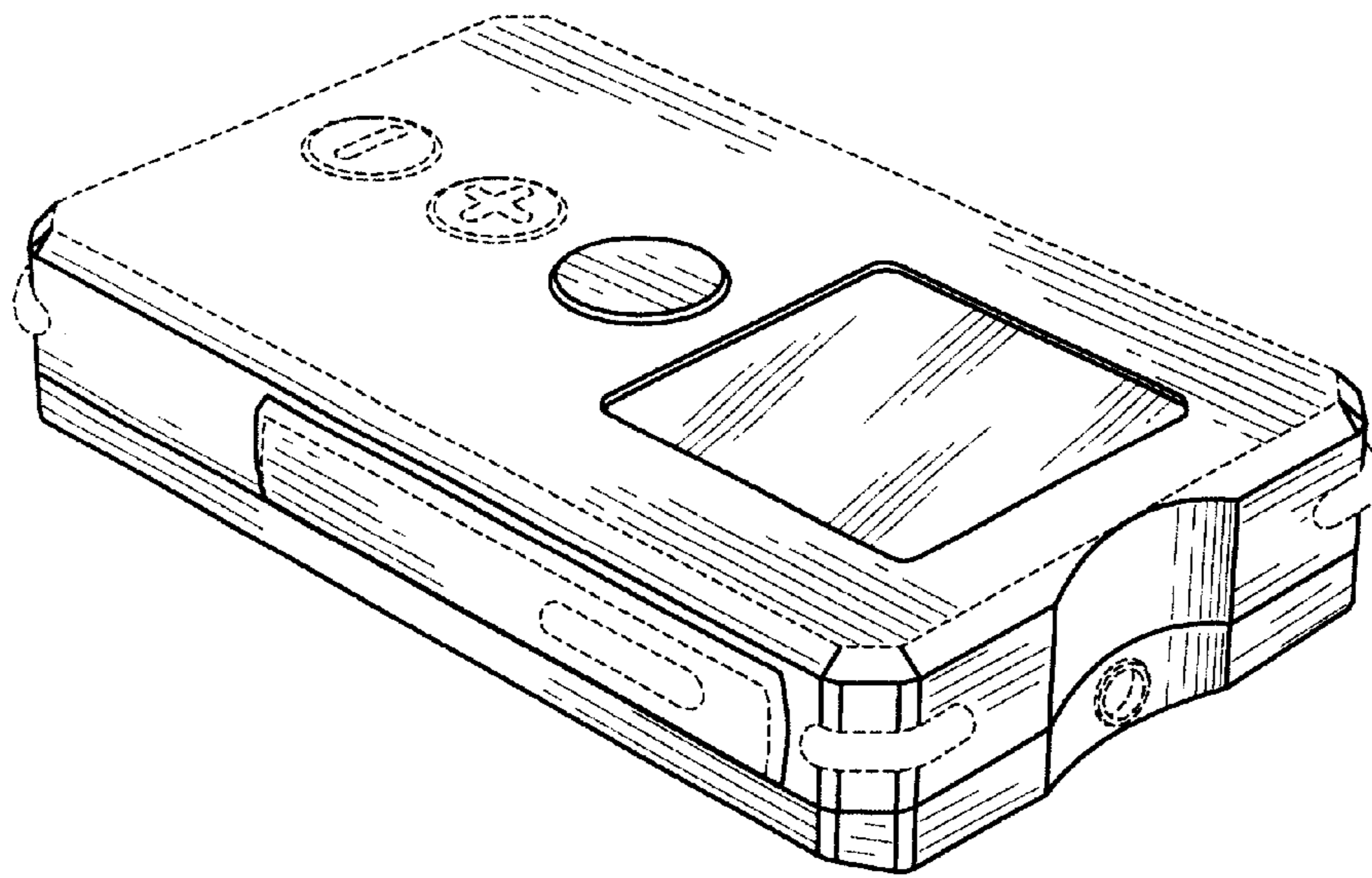


FIG. 5

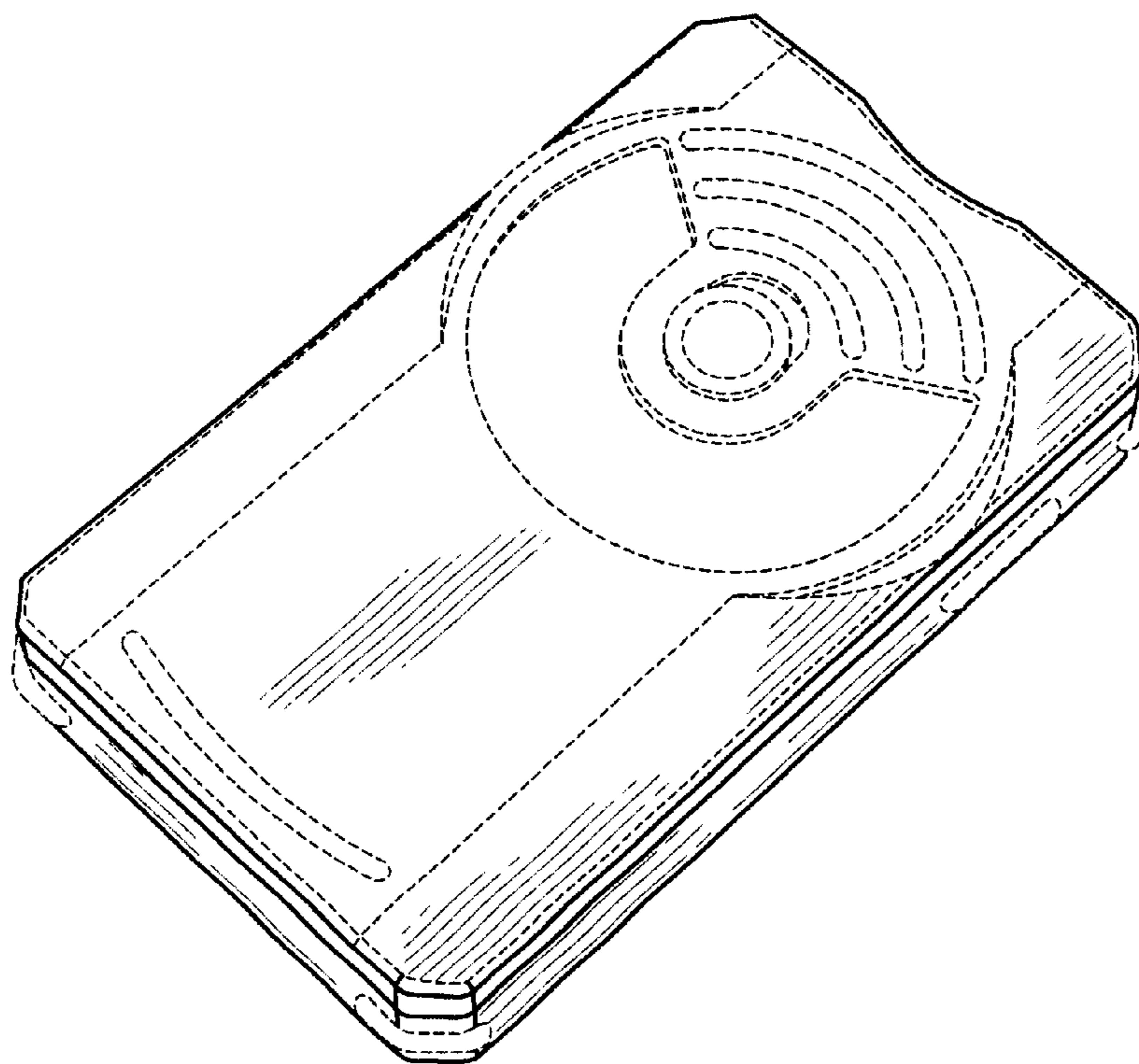


FIG. 6