

US00D531724S

(12) **United States Design Patent**
Gessert et al.

(10) **Patent No.:** **US D531,724 S**

(45) **Date of Patent:** **** Nov. 7, 2006**

(54) **PHYSICIAN DEMONSTRATION TOOL**

(75) Inventors: **Robert J. Gessert**, Hartland, WI (US);
Jerry Johnson, Milwaukee, WI (US)

(73) Assignee: **The Gessert Group**, Milwaukee, WI (US)

(**) Term: **14 Years**

(21) Appl. No.: **29/210,360**

(22) Filed: **Jul. 29, 2004**

(51) **LOC (8) Cl.** **24-02**

(52) **U.S. Cl.** **D24/133**

(58) **Field of Classification Search** D24/133;
D3/203.1-8, 284, 301, 303; D7/553.3; D9/428,
D9/456; D15/90; 206/305, 446, 528, 828
See application file for complete search history.

(56) **References Cited**

U.S. PATENT DOCUMENTS

D263,622 S	*	3/1982	Hasson	D3/203.2
4,402,355 A	*	9/1983	Wymore et al.	206/315.1
D444,480 S	*	7/2001	Shultz et al.	D15/90
D451,674 S	*	12/2001	Leins	D3/301

D456,524 S	*	4/2002	Hehenberger	D24/217
D481,532 S	*	11/2003	Sayers et al.	D3/203.1
D518,287 S	*	4/2006	Margiotta	D3/203.3

* cited by examiner

Primary Examiner—Antoine D. Davis

Assistant Examiner—Christopher Lee

(74) *Attorney, Agent, or Firm*—Michael Best & Friedrich LLP

(57) **CLAIM**

The ornamental design for a physician demonstration tool, as shown and described.

DESCRIPTION

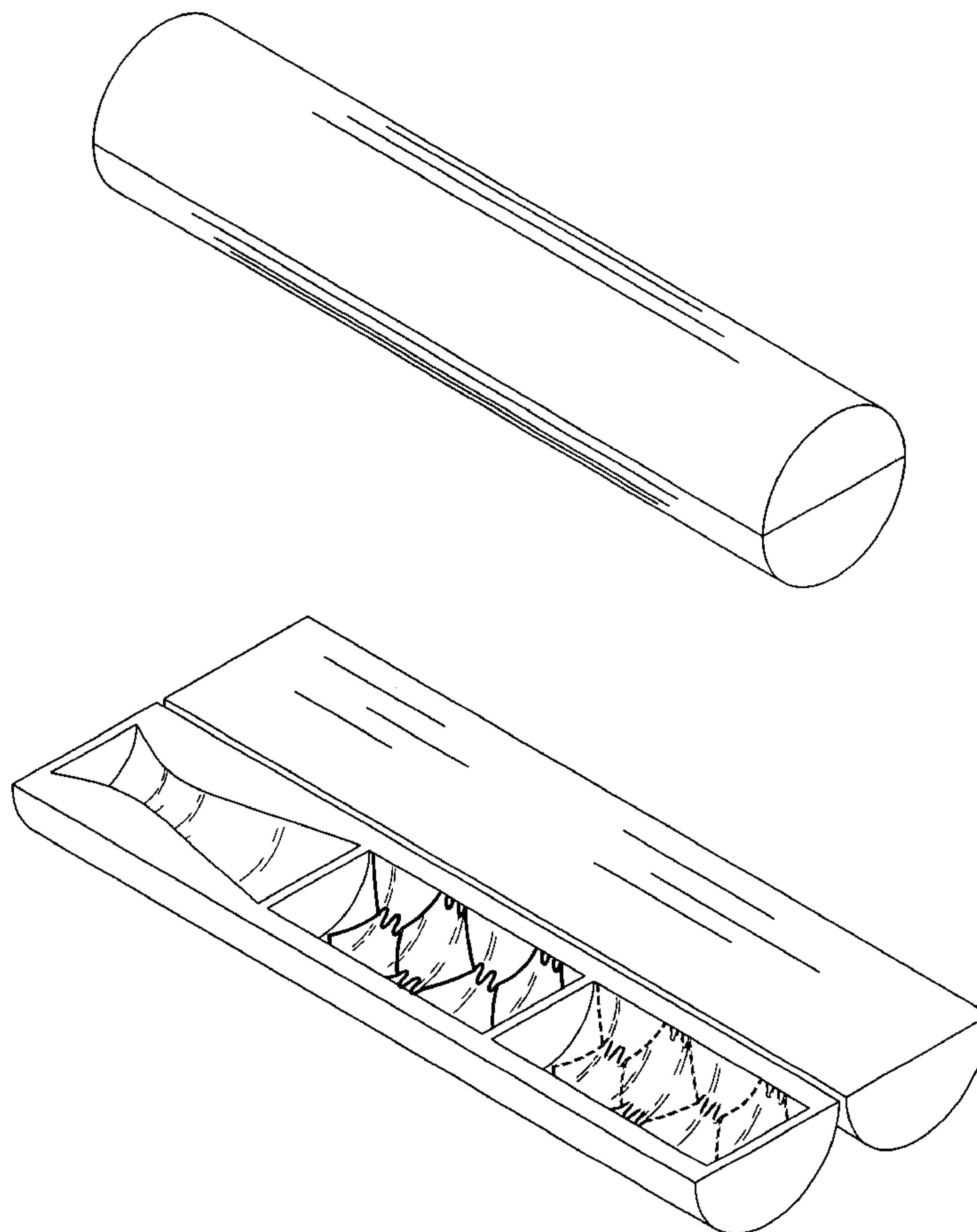
FIG. 1 is a perspective view of physician demonstration tool; FIG. 2 is a front view of the physician demonstration tool of FIG. 1;

FIG. 3 is a left side view of the physician demonstration tool of FIG. 1; and,

FIG. 4 is a view of the physician demonstration tool of FIG. 1 in an open position.

The broken line showing of the environment is for illustrative purposes only and forms no part of the claimed design.

1 Claim, 2 Drawing Sheets



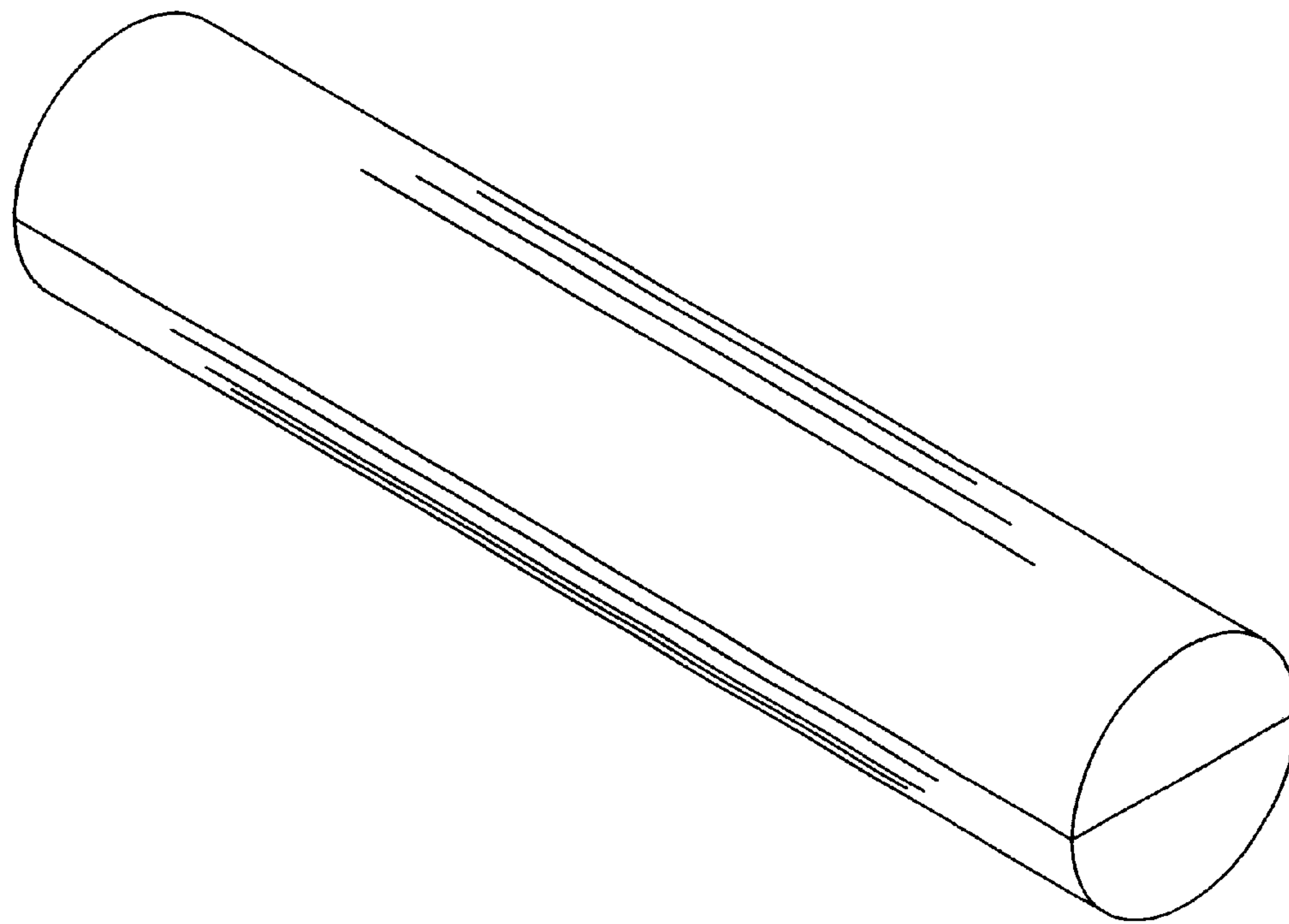


FIG. 1

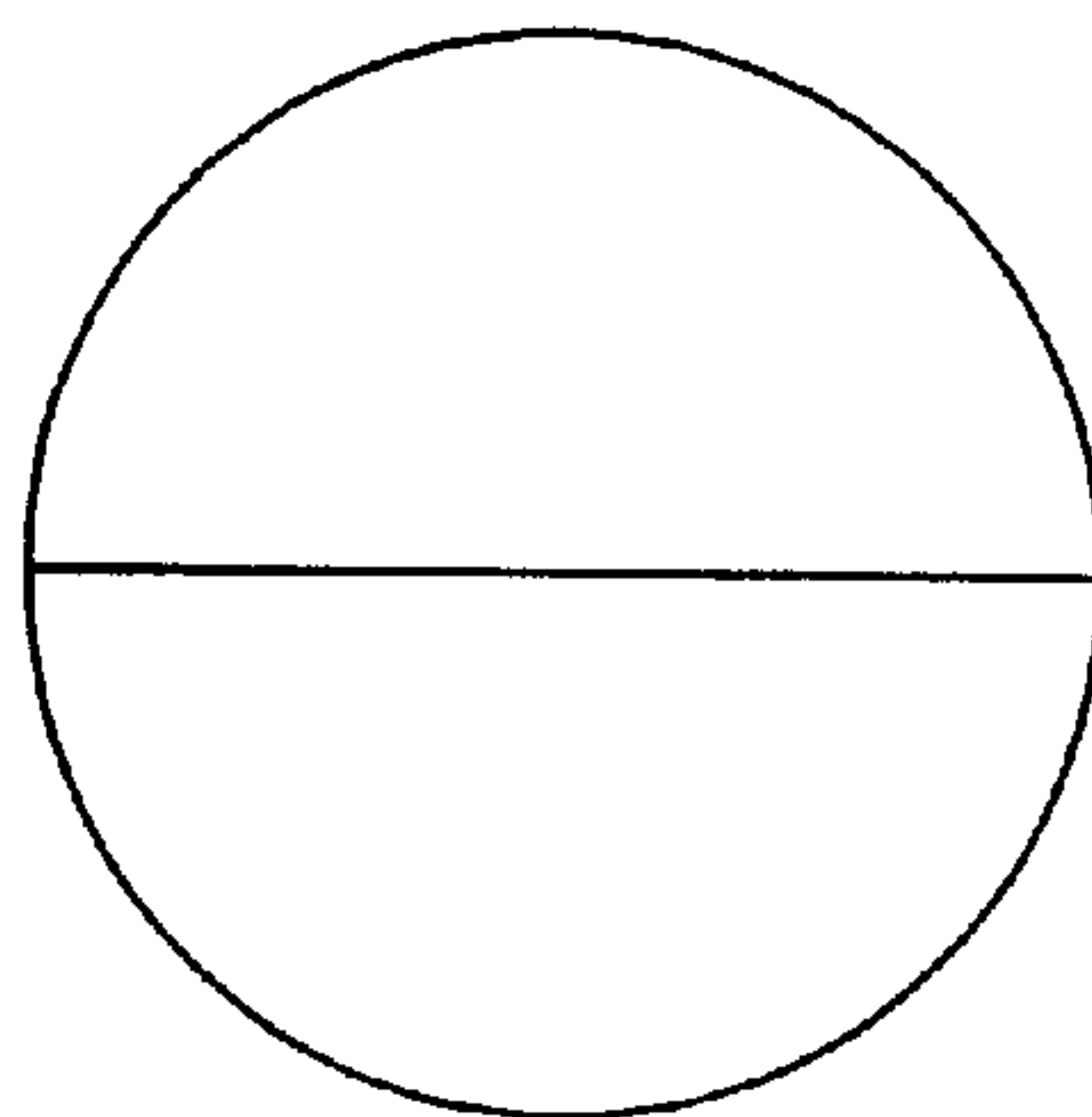


FIG. 2

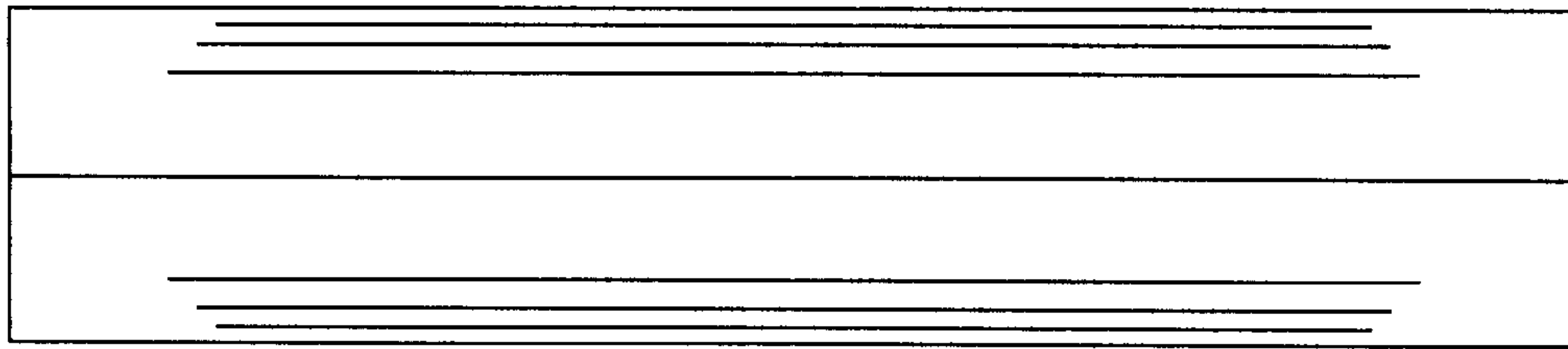


FIG. 3

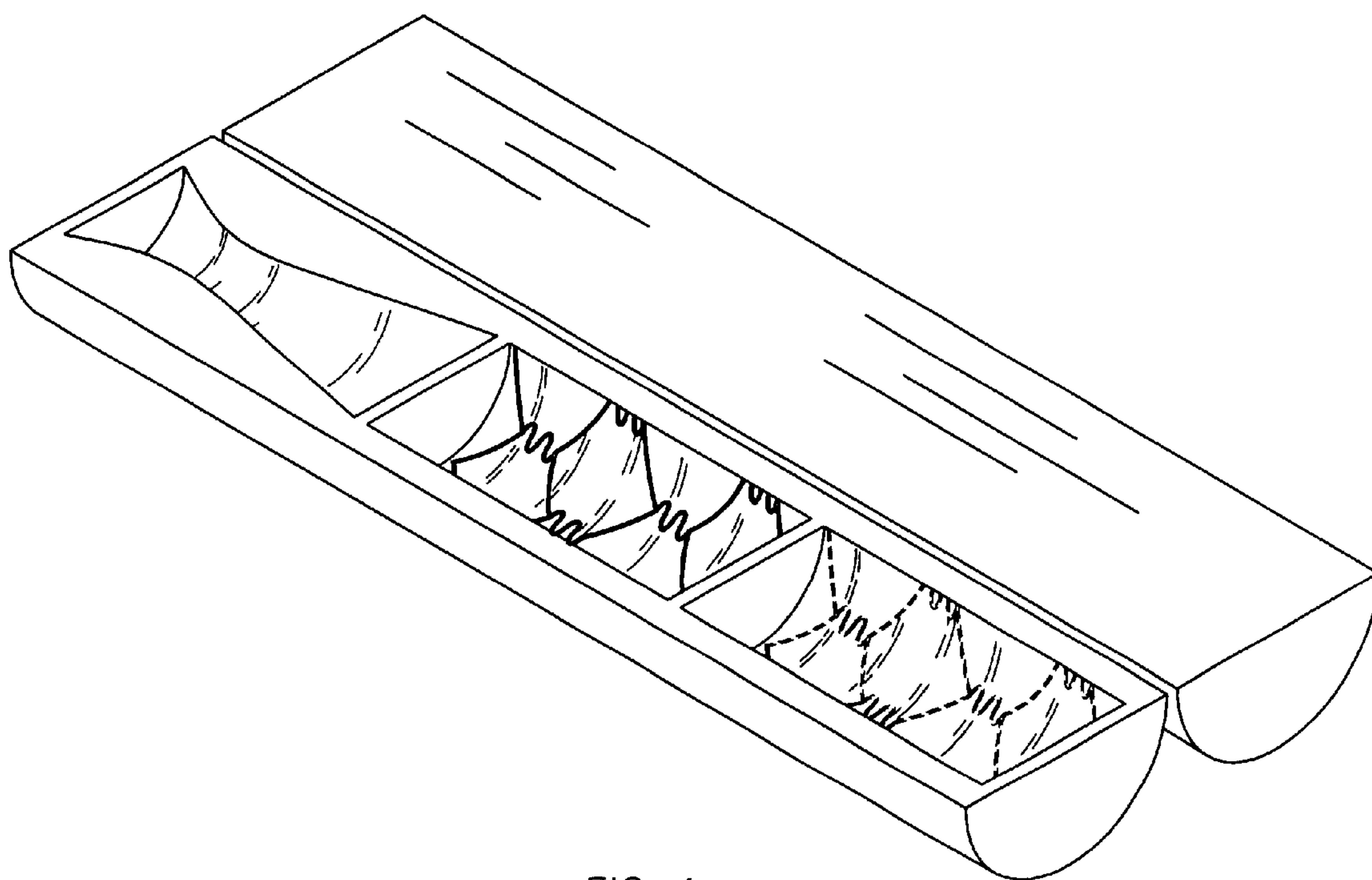


FIG. 4