

US00D531718S

(12) **United States Design Patent**
Bucher et al.

(10) **Patent No.:** **US D531,718 S**
(45) **Date of Patent:** **** Nov. 7, 2006**

(54) **SHROUD FLOOR FAN**

(75) Inventors: **John C. Bucher**, Hillsboro Bch, FL (US); **Chad Ricker**, North Lauderdale, FL (US); **Margaret S. Hollis**, Smyrna, GA (US)

(73) Assignee: **King of Fans, Inc.**, Ft. Lauderdale, FL (US)

(**) Term: **14 Years**

(21) Appl. No.: **29/223,676**

(22) Filed: **Feb. 17, 2005**

(51) **LOC (8) Cl.** **23-04**

(52) **U.S. Cl.** **D23/382**

(58) **Field of Classification Search** D23/378, D23/381, 382, 370, 332, 412, 411, 335, 336; 416/247 R, 246

See application file for complete search history.

(56) **References Cited**

U.S. PATENT DOCUMENTS

D307,320 S	4/1990	Shin-Chin	D23/382
D323,885 S	2/1992	Wortham	D23/378
5,265,895 A	11/1993	Barrett	280/47.24
D384,738 S	10/1997	Jane et al.	D23/378
D386,565 S	* 11/1997	Jane et al.	D23/382
D416,617 S	11/1999	Jane et al.	D23/378
D426,296 S	6/2000	Blateri	D23/382

D426,631 S	6/2000	Thakur	D23/378
D444,552 S	7/2001	Wang	D23/382
D480,466 S	10/2003	Bucher et al.	D23/382
D482,438 S	* 11/2003	Barker et al.	D23/382
D483,468 S	* 12/2003	Wong	D23/382
D509,582 S	* 9/2005	Redetzke	D23/411

* cited by examiner

Primary Examiner—Lisa Lichtenstein

(74) *Attorney, Agent, or Firm*—Brian S. Steinberger; Law Offices of Brian S. Steinberger

(57) **CLAIM**

The ornamental design for a shroud floor fan, as shown and described.

DESCRIPTION

FIG. 1 is a left front perspective view of the shroud floor fan. FIG. 2 is right front perspective view of the shroud floor fan of FIG. 1. FIG. 3 is a left rear perspective view of the shroud floor fan of FIG. 1. FIG. 4 is a right rear perspective view of the shroud floor fan of FIG. 1. FIG. 5 is a left side view of the shroud floor fan of FIG. 1. FIG. 6 is a right side view of the shroud floor fan of FIG. 1. FIG. 7 is a front view of the shroud floor fan of FIG. 1. FIG. 8 is a rear view of the shroud floor fan of FIG. 1. FIG. 9 is top view of the shroud floor fan of FIG. 1; and, FIG. 10 is bottom view of the shroud floor fan of FIG. 1.

1 Claim, 10 Drawing Sheets

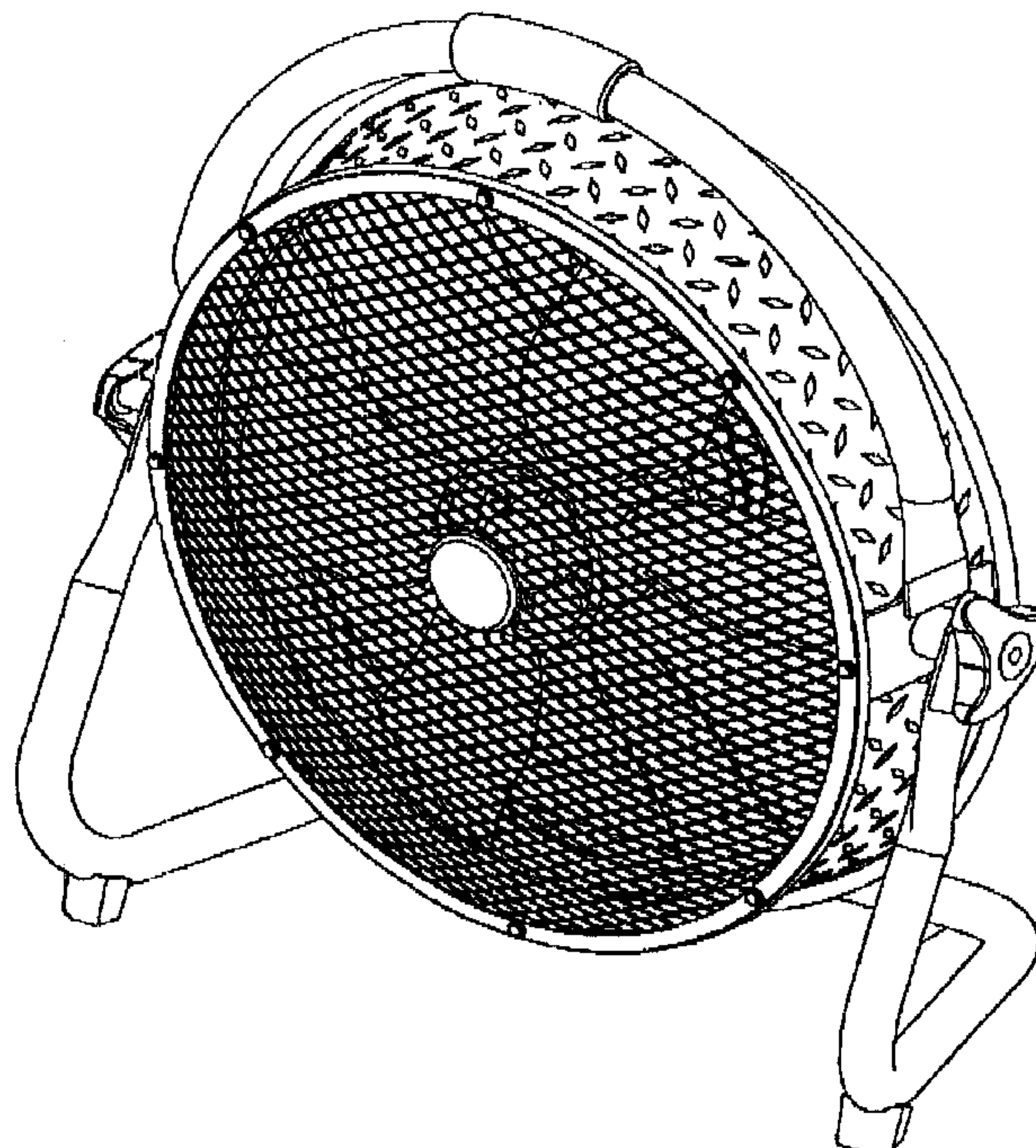


FIG. 1

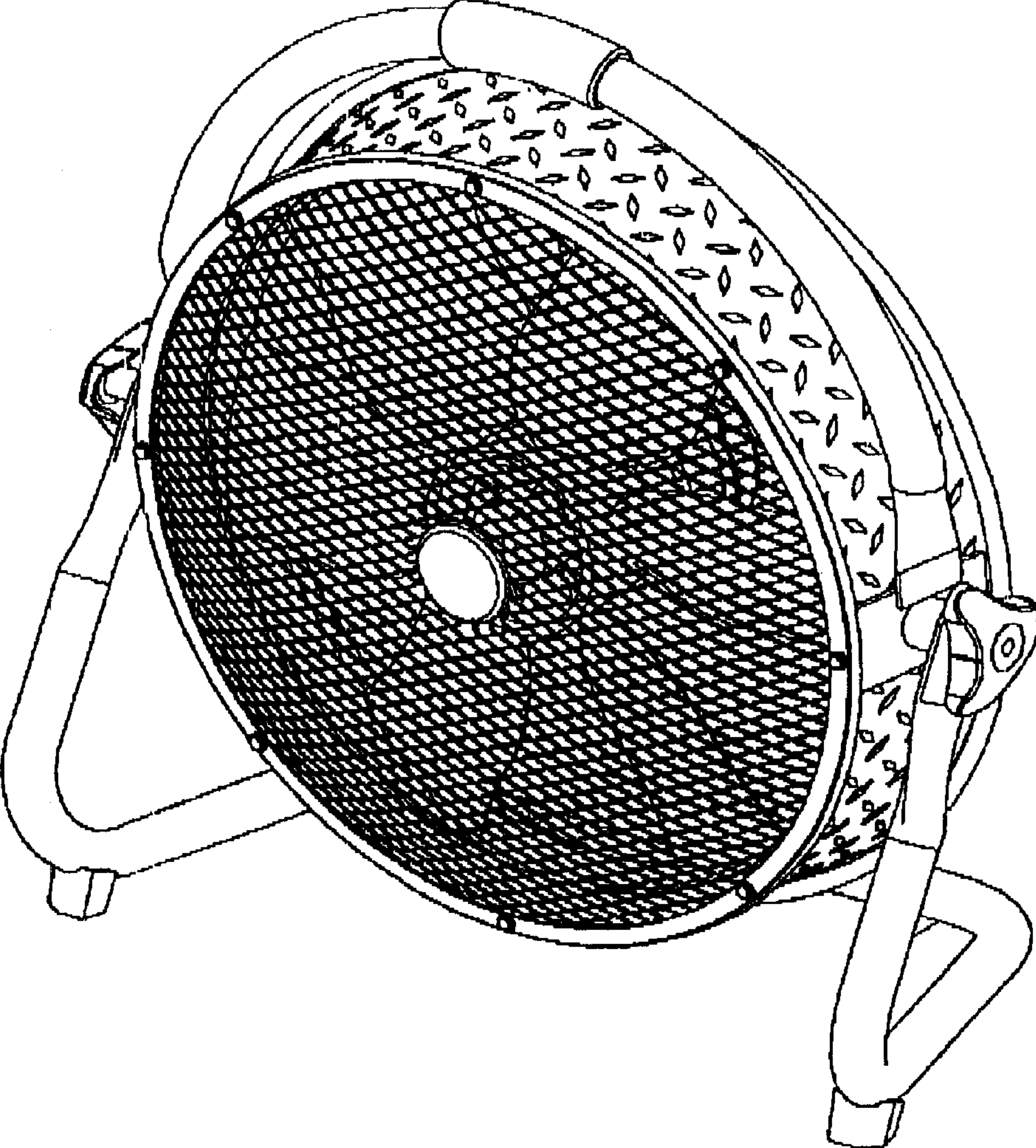


FIG. 2

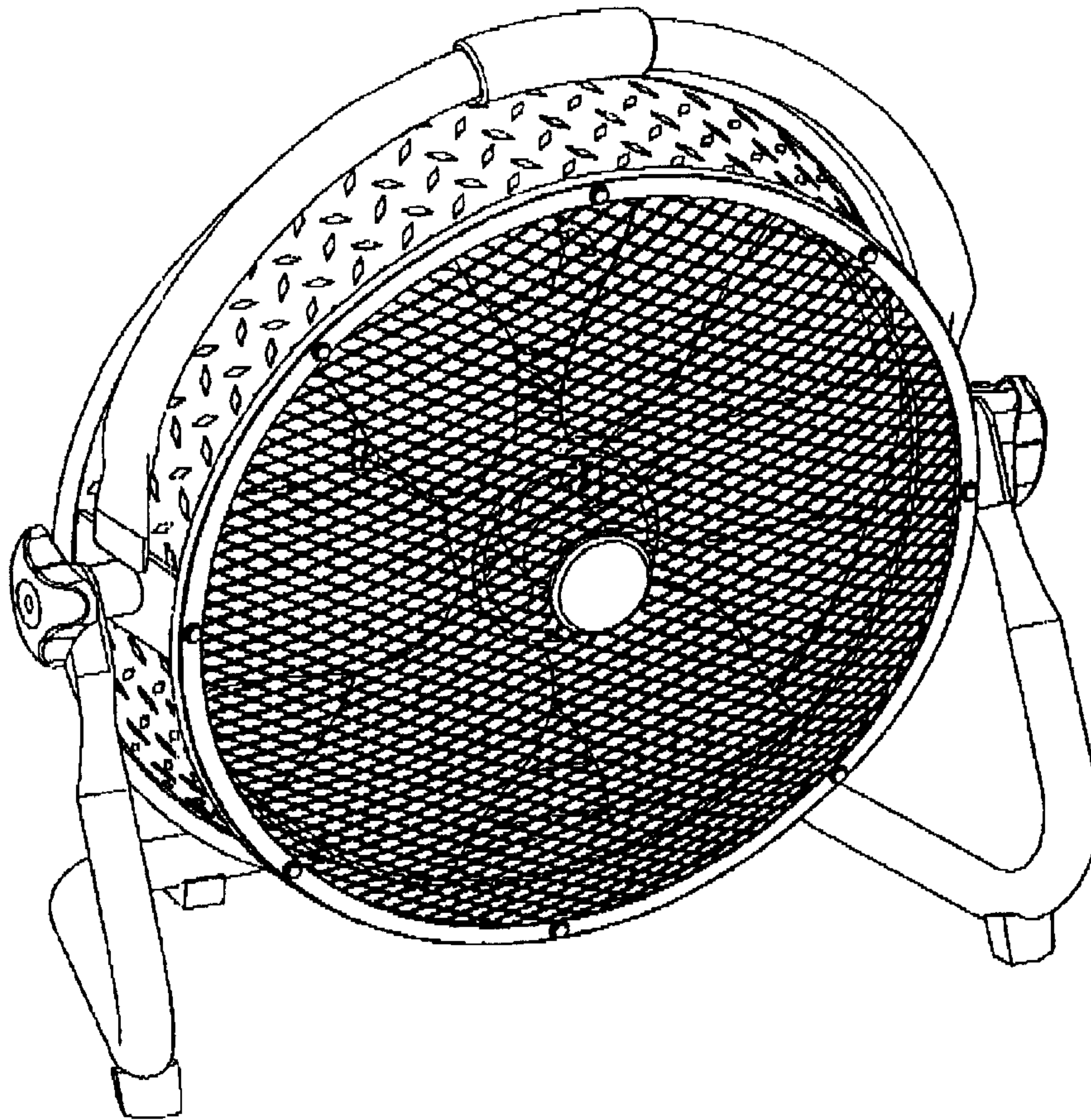


FIG. 3

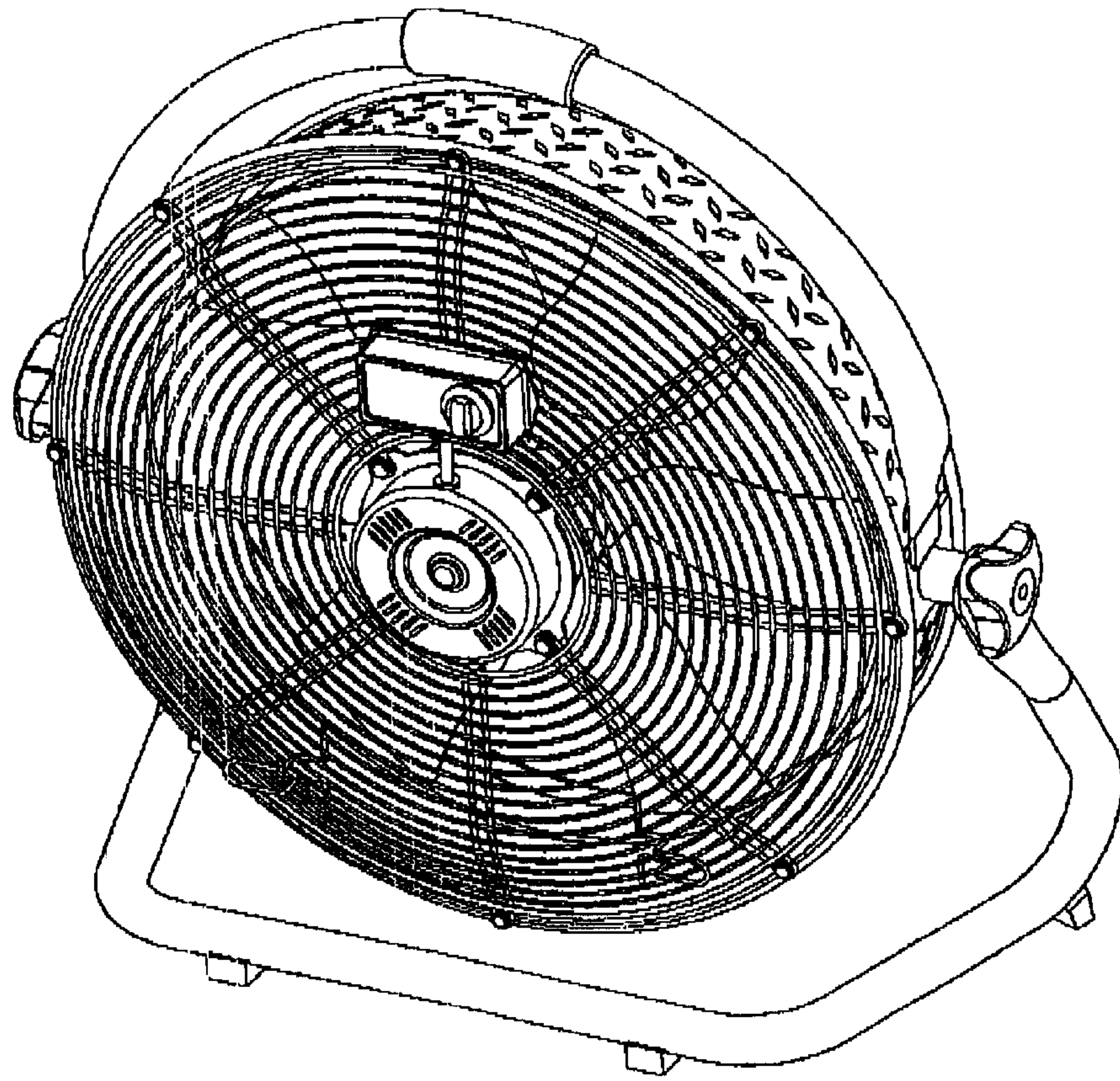


FIG. 4

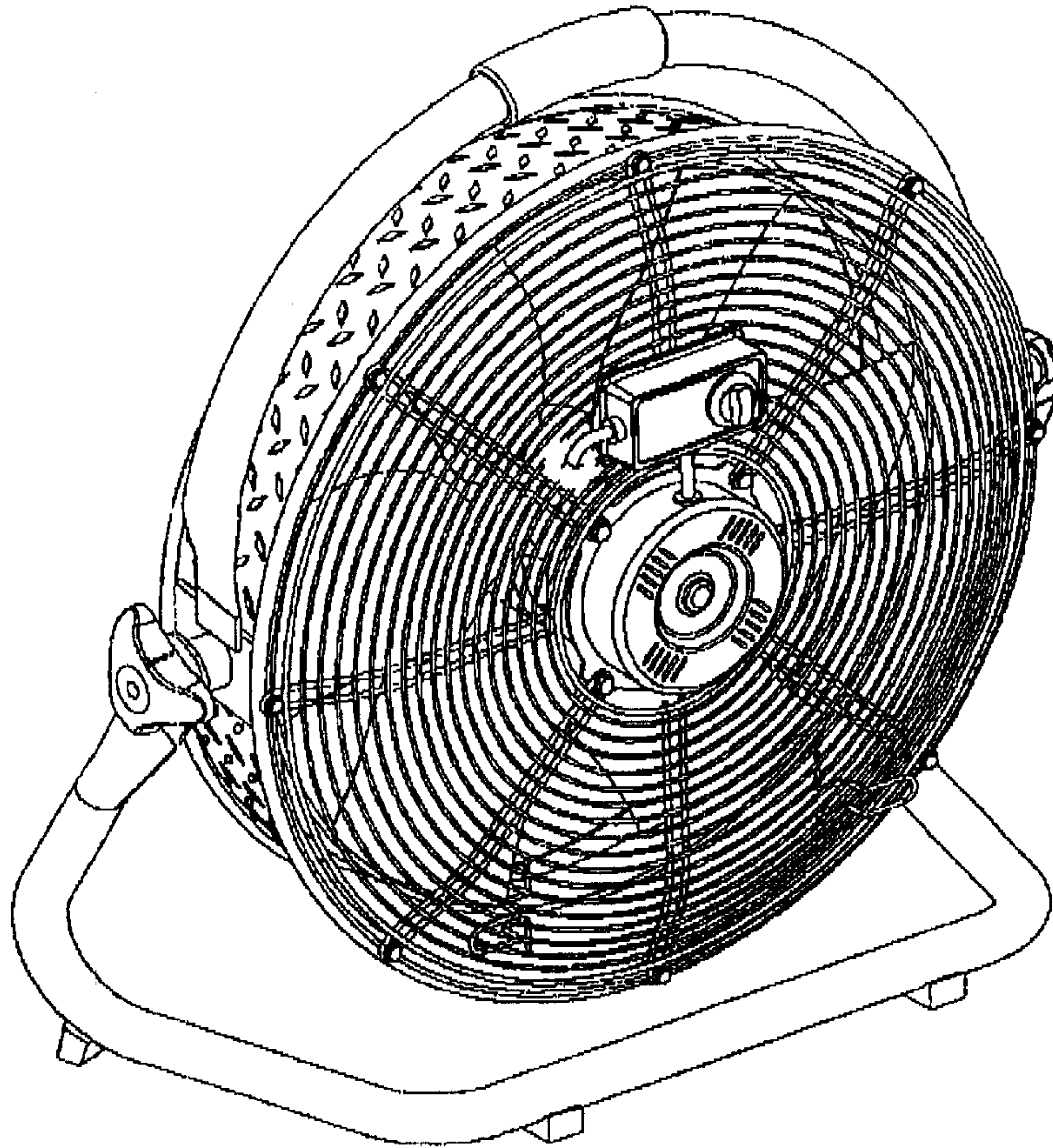


FIG. 5

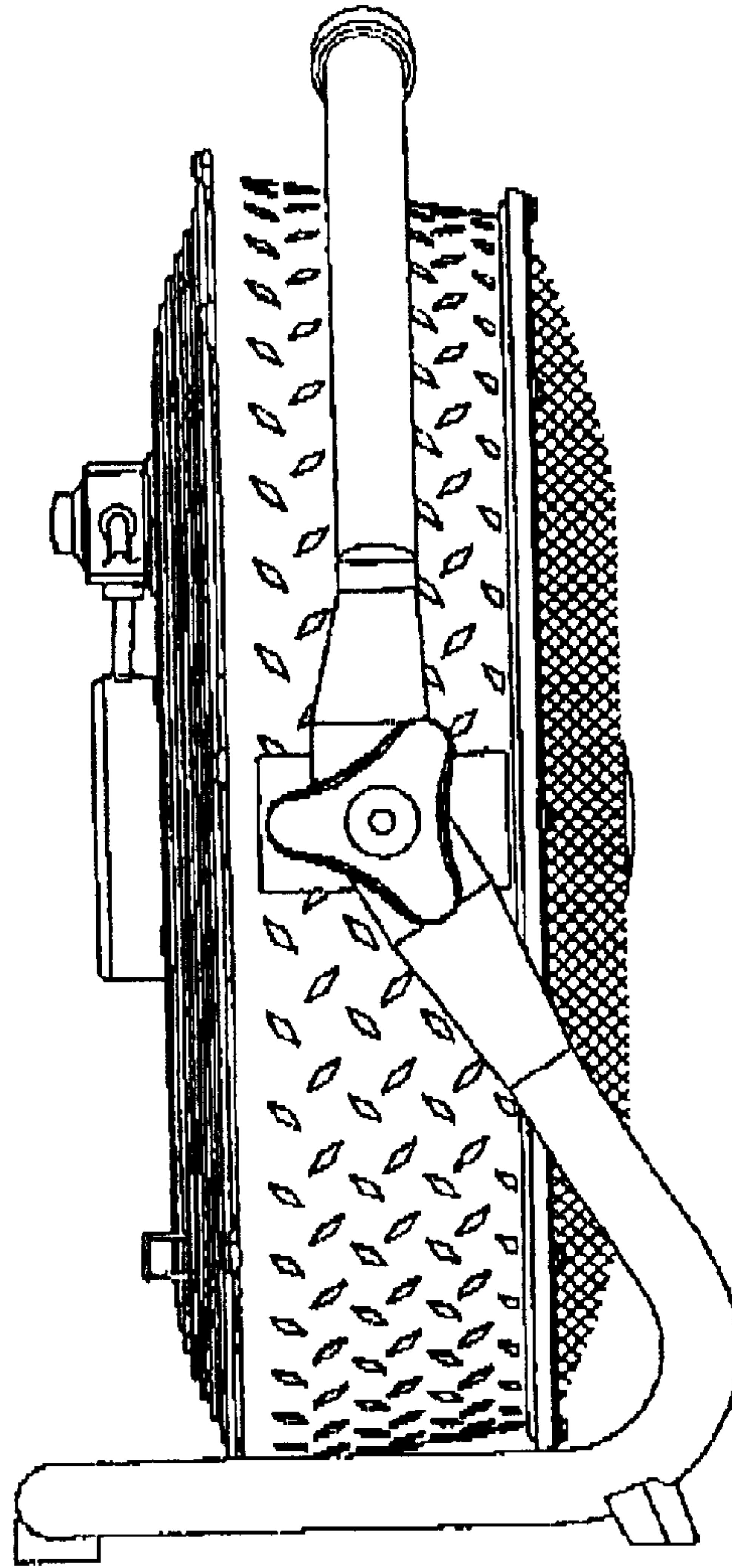


FIG. 6

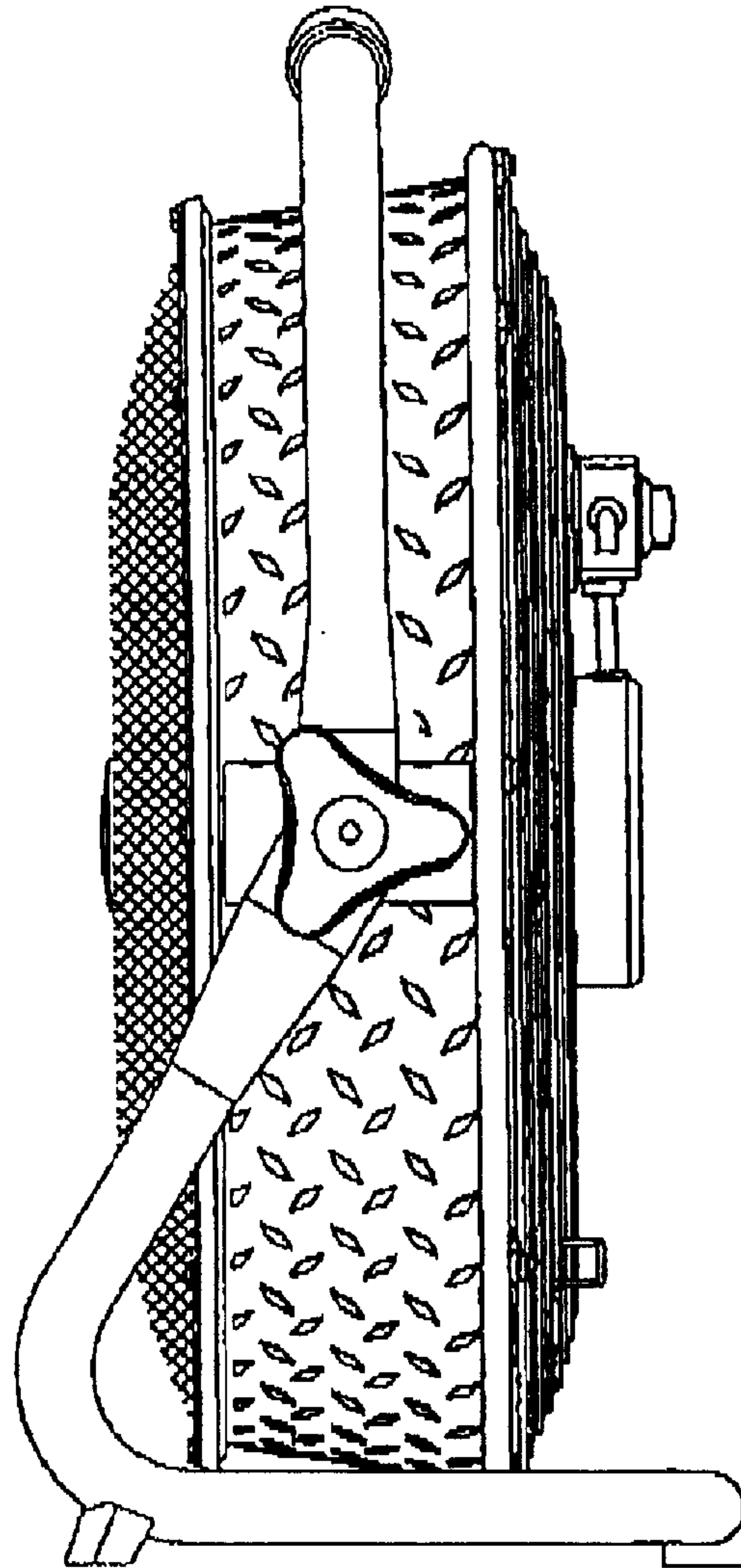


FIG. 7

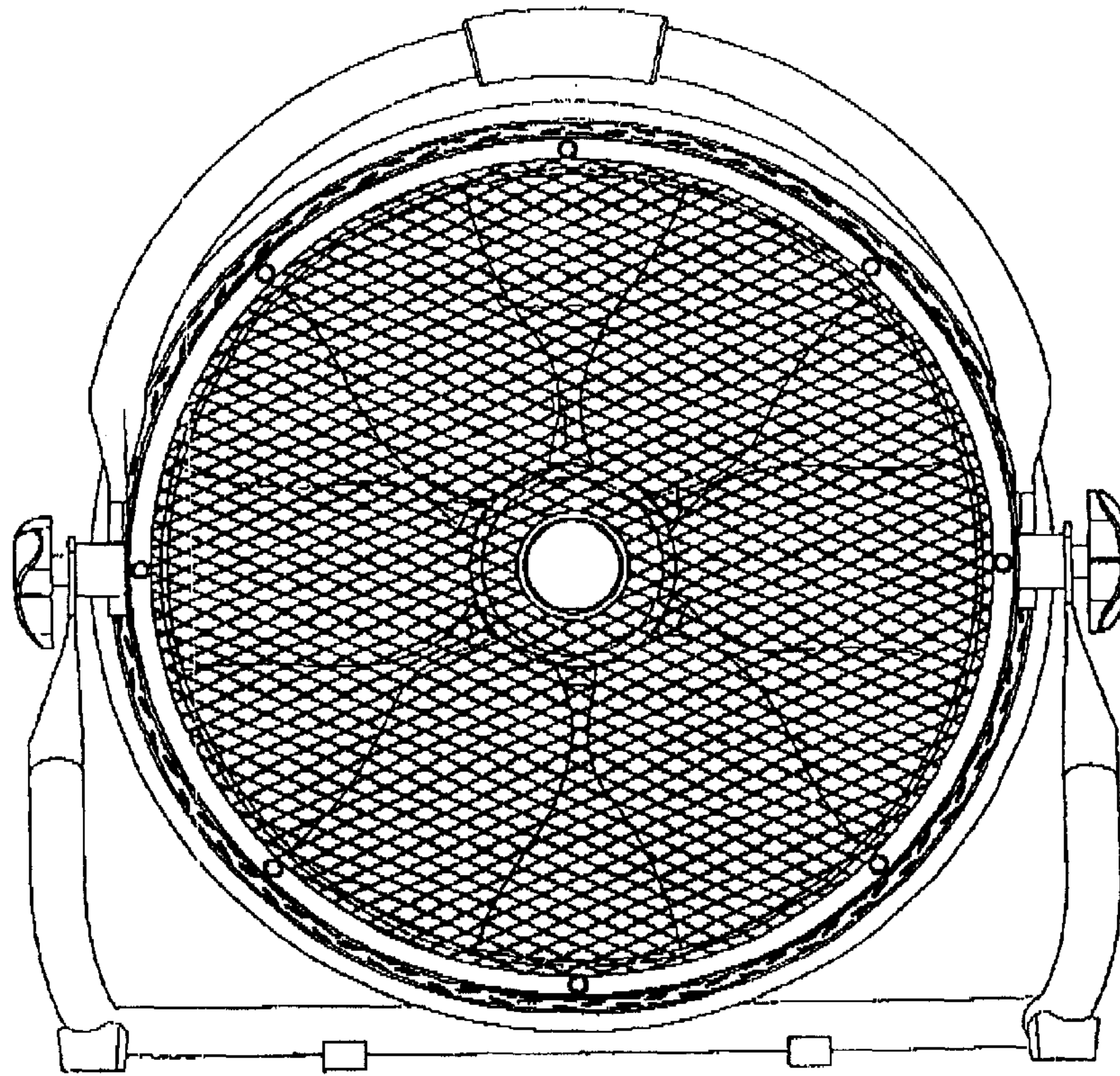


FIG. 8

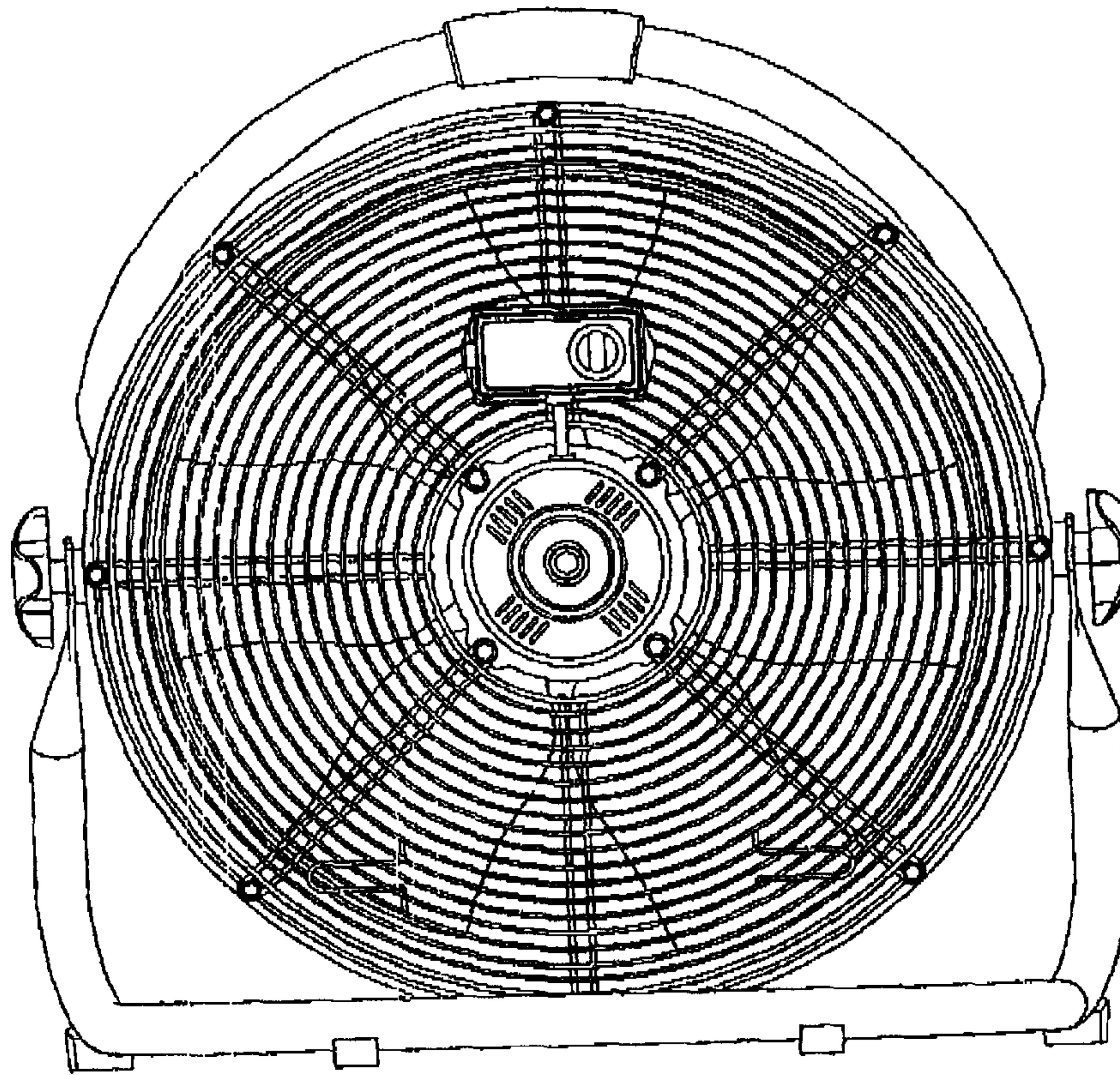


FIG. 9

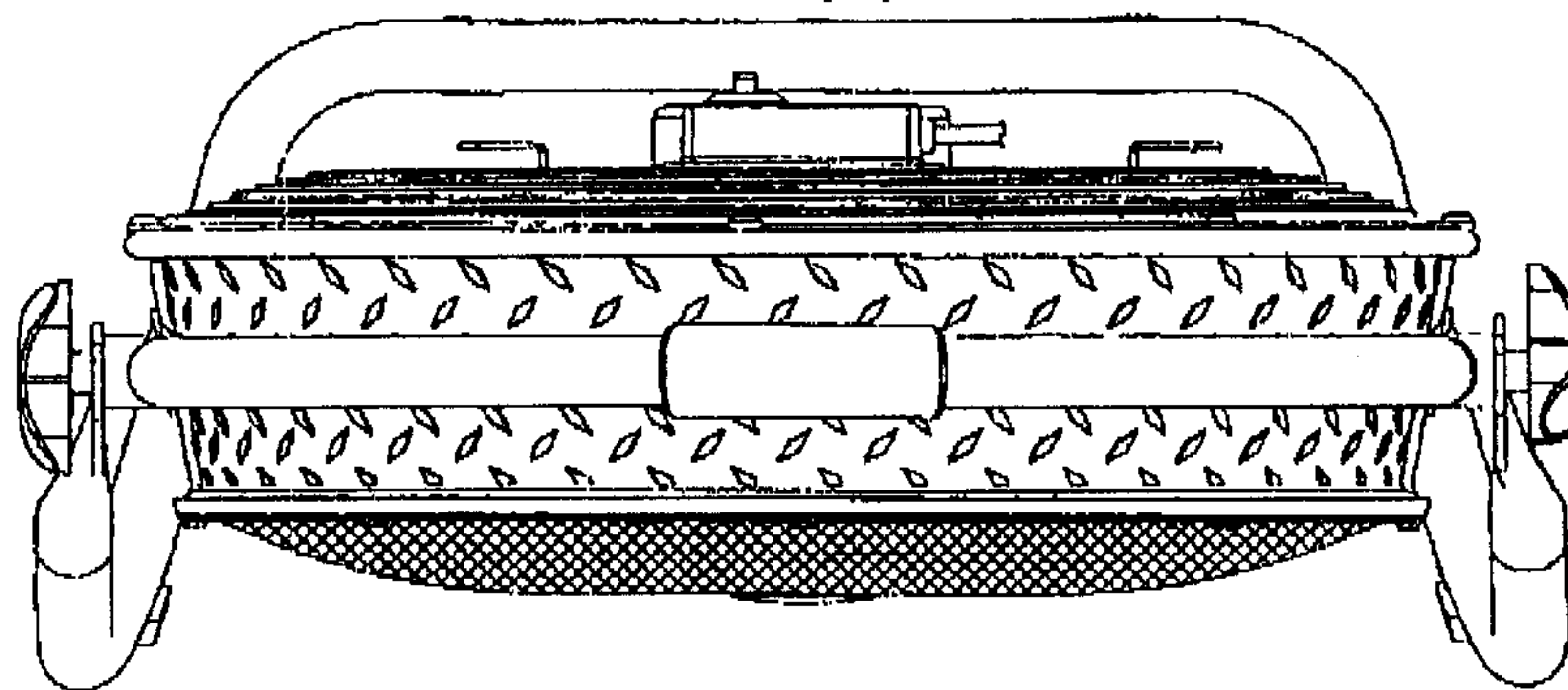


FIG. 10

