



US00D531716S

(12) **United States Design Patent**
Watanabe et al.

(10) **Patent No.: US D531,716 S**

(45) **Date of Patent: ** Nov. 7, 2006**

(54) **FAN**

FOREIGN PATENT DOCUMENTS

(75) Inventors: **Jiro Watanabe**, Nagano (JP); **Daisaku Furihata**, Nagano (JP); **Toshiyuki Nakamura**, Nagano (JP); **Kenji Hirose**, Nagano (JP)

JP 1135788 1/2002

* cited by examiner

Primary Examiner—Lisa Lichtenstein
(74) *Attorney, Agent, or Firm*—Rankin, Hill, Porter & Clark LLP

(73) Assignee: **Sanyo Denki Co., Ltd.**, Tokyo (JP)

(**) Term: **14 Years**

(57) **CLAIM**

The ornamental design for a fan, as shown and described.

(21) Appl. No.: **29/204,483**

DESCRIPTION

(22) Filed: **Apr. 29, 2004**

(30) **Foreign Application Priority Data**

Oct. 31, 2003 (JP) 2003-032305

(51) **LOC (8) Cl.** **23-04**

(52) **U.S. Cl.** **D23/370**

(58) **Field of Classification Search** D23/370,
D23/411, 379; 415/176–178, 211.2; 361/697
See application file for complete search history.

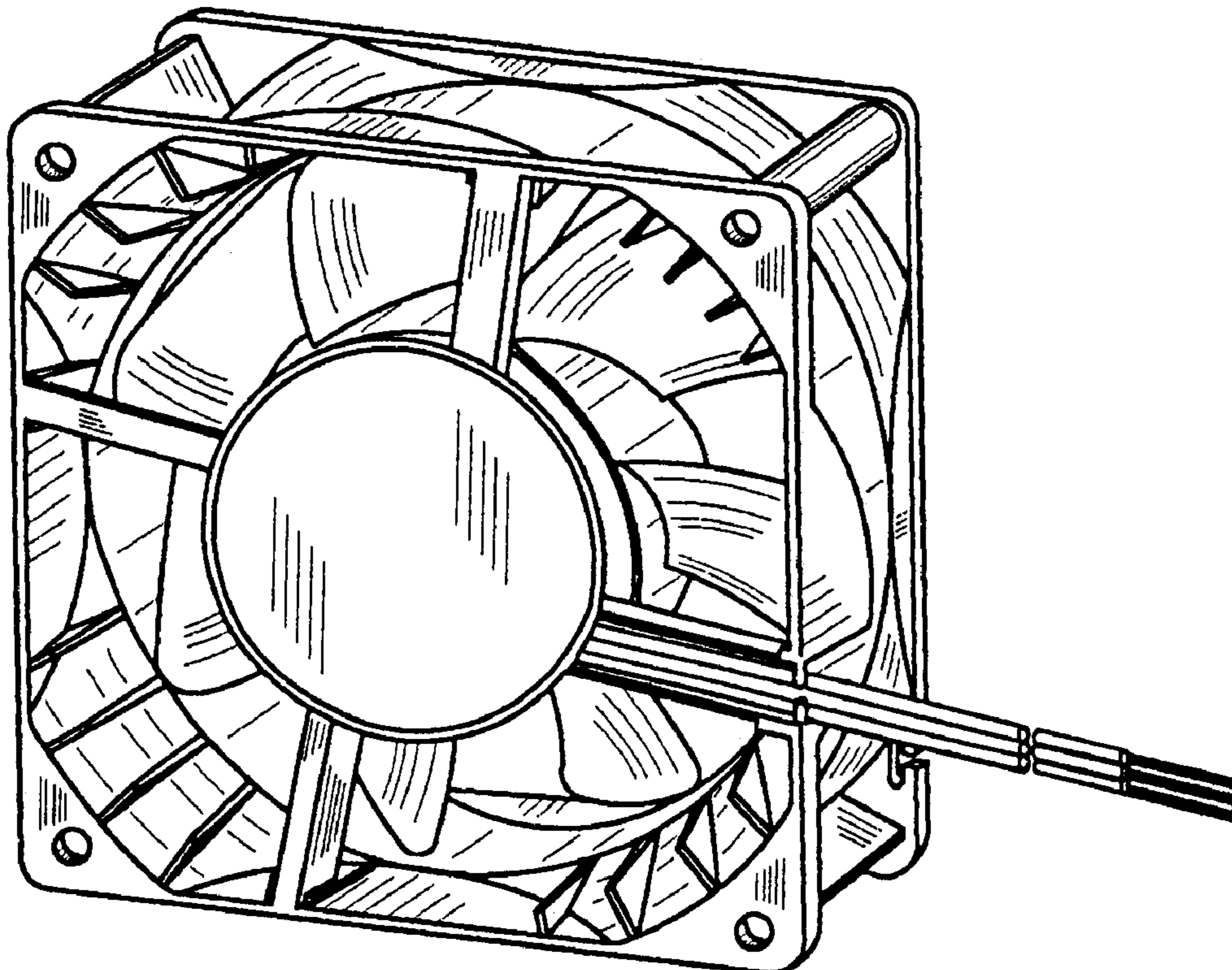
FIG. 1 is a perspective view of our new design.
FIG. 2 is a front side elevation view thereof.
FIG. 3 is a rear side elevation view thereof.
FIG. 4 is a left side elevation view thereof.
FIG. 5 is a right side elevation view thereof.
FIG. 6 is a top plan view thereof.
FIG. 7 is a bottom plan view thereof.
FIG. 8 is an end view as taken along 8—8 line in FIG. 5, omitting the interior mechanism of a motor.
FIG. 9 is an enlarged cutaway view of the part defined by 9—9 in FIG. 12.
FIG. 10 is an enlarged end view as taken along 10—10 line in FIG. 12.
FIG. 11 is an end view as taken along 11—11 line in FIG. 5, Omitting the interior mechanism of a motor; and,
FIG. 12 is reference view of our new design.

(56) **References Cited**

U.S. PATENT DOCUMENTS

- D297,761 S 9/1988 Shiraki
- D450,378 S 11/2001 Minakuchi et al.
- D492,986 S 7/2004 Chiu et al.
- D507,639 S * 7/2005 Chiu et al. D23/370

1 Claim, 7 Drawing Sheets



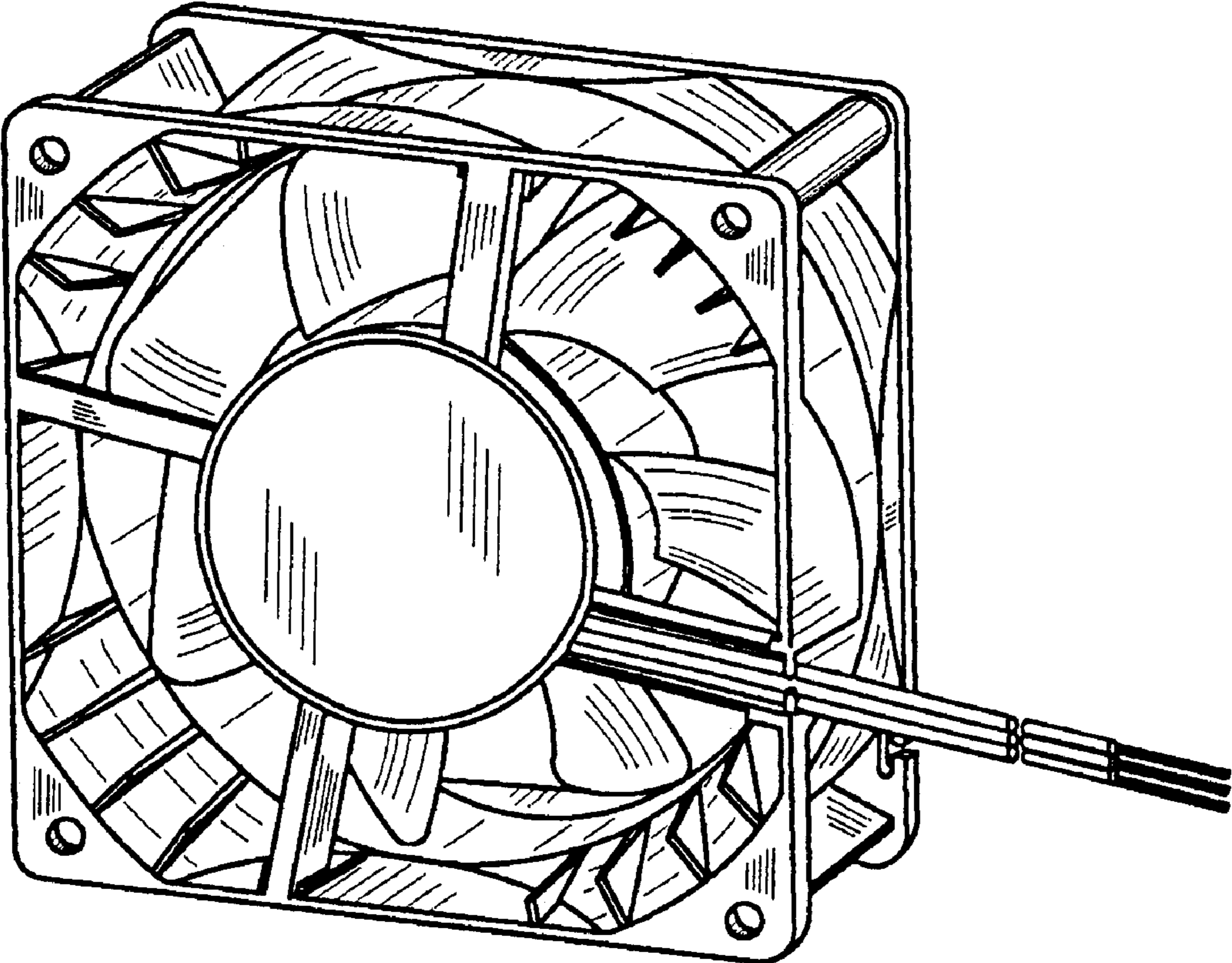


Fig. 1

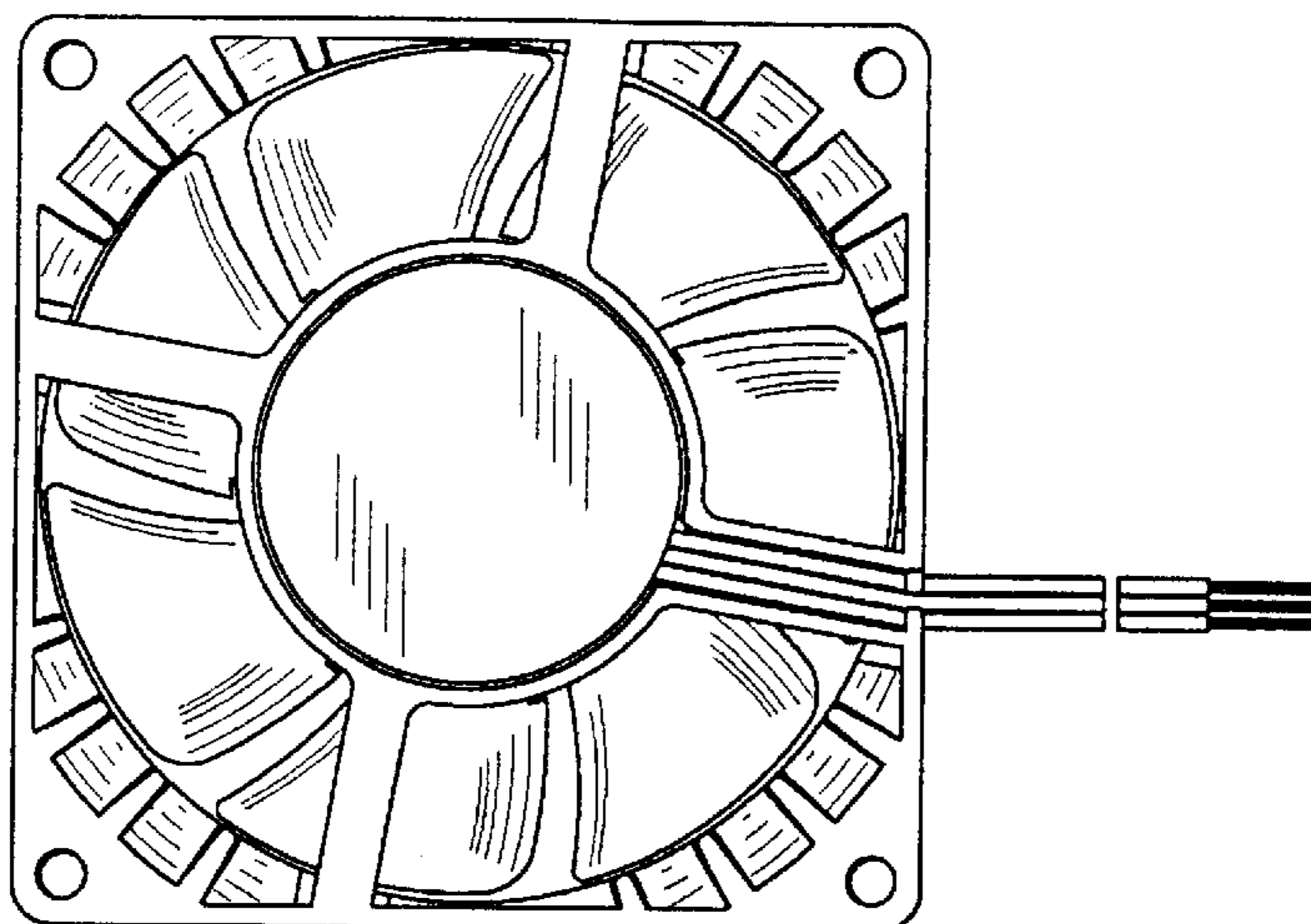


Fig. 2

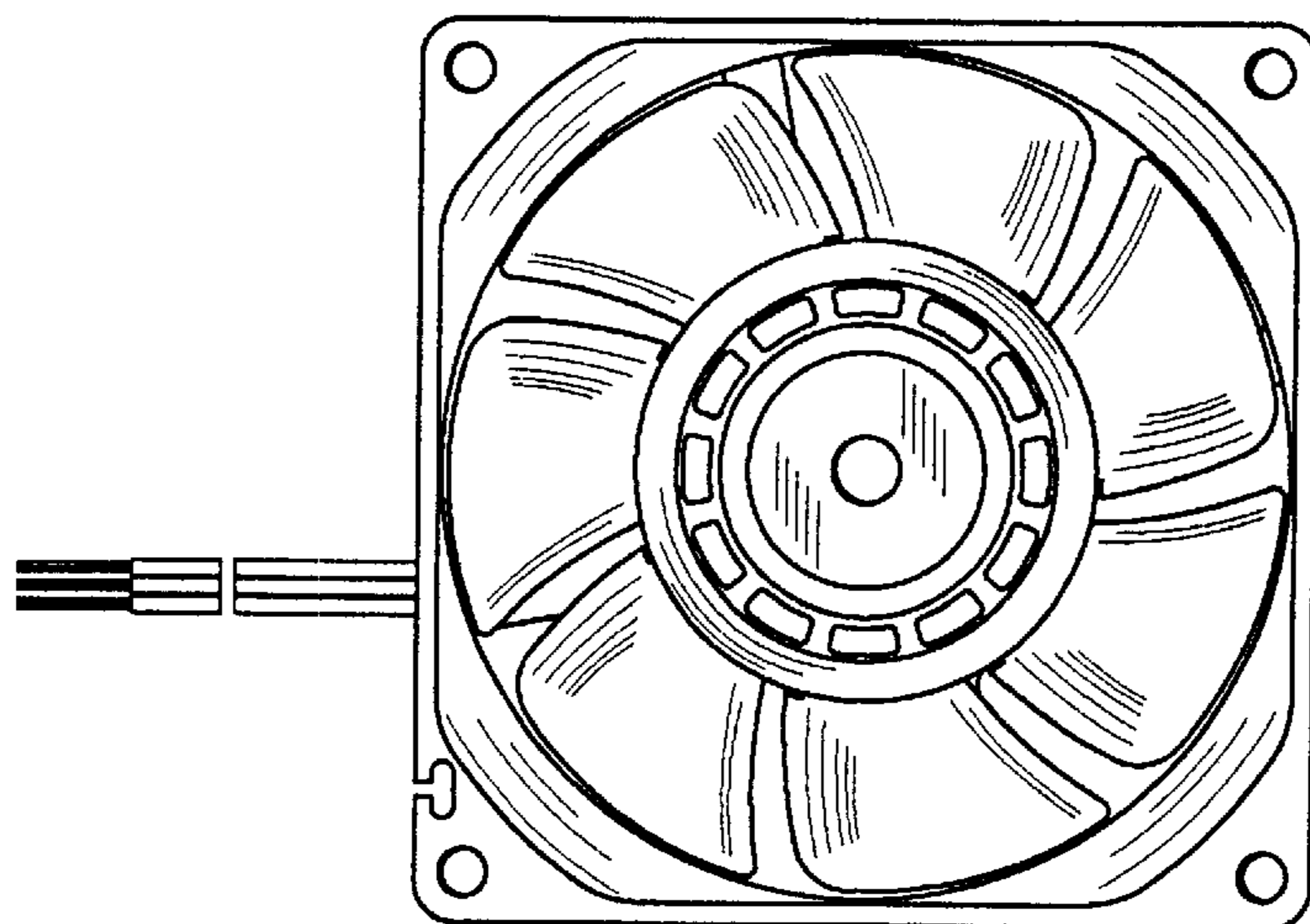


Fig. 3

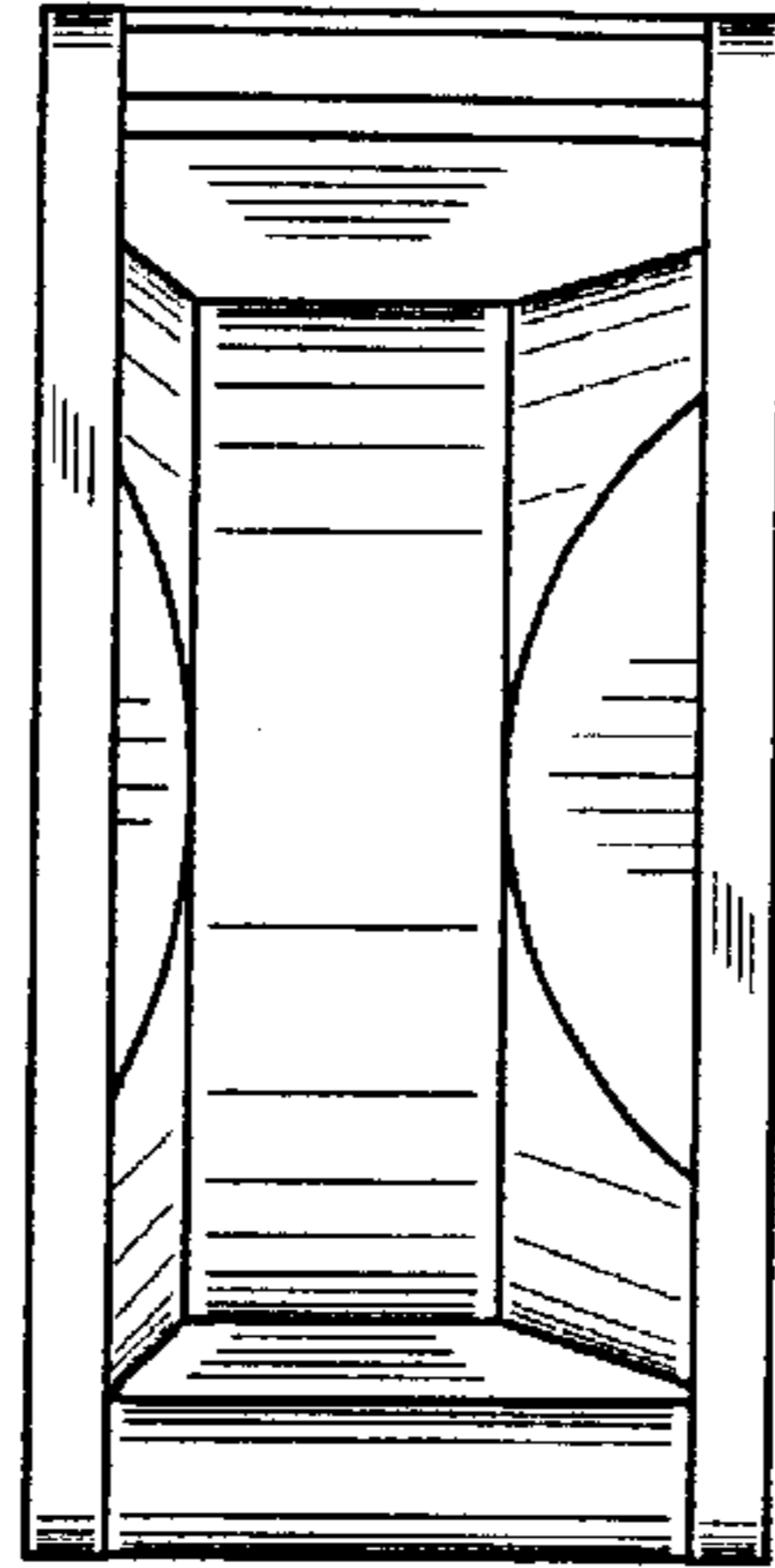


Fig. 4

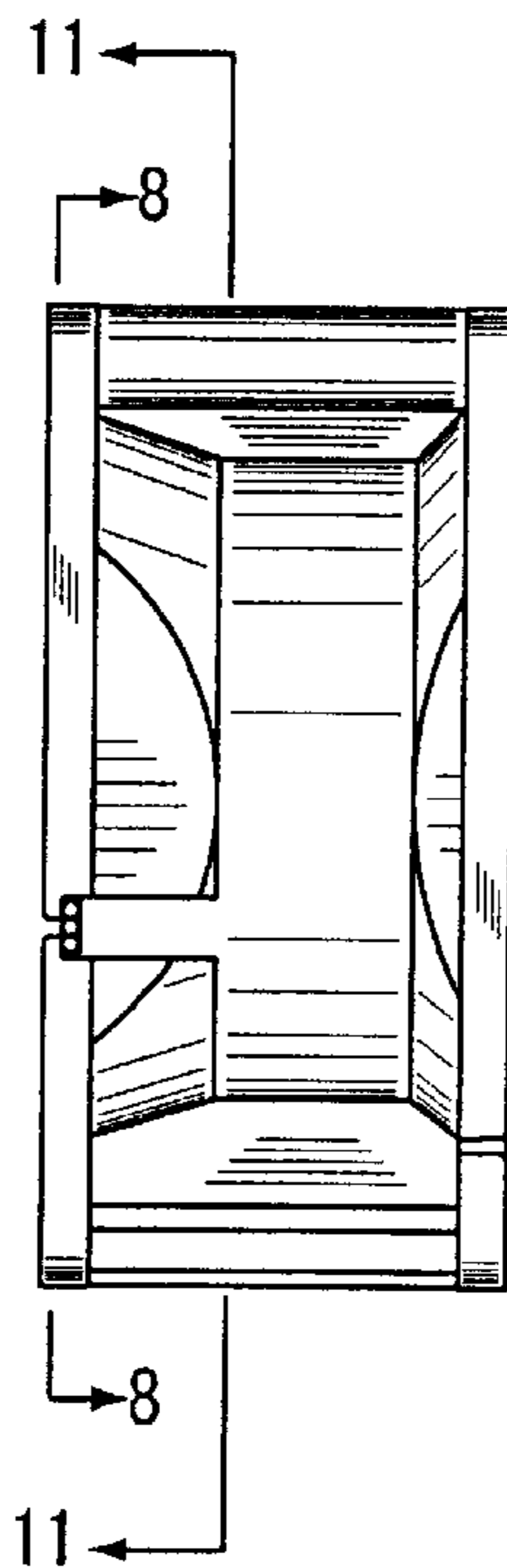


Fig. 5

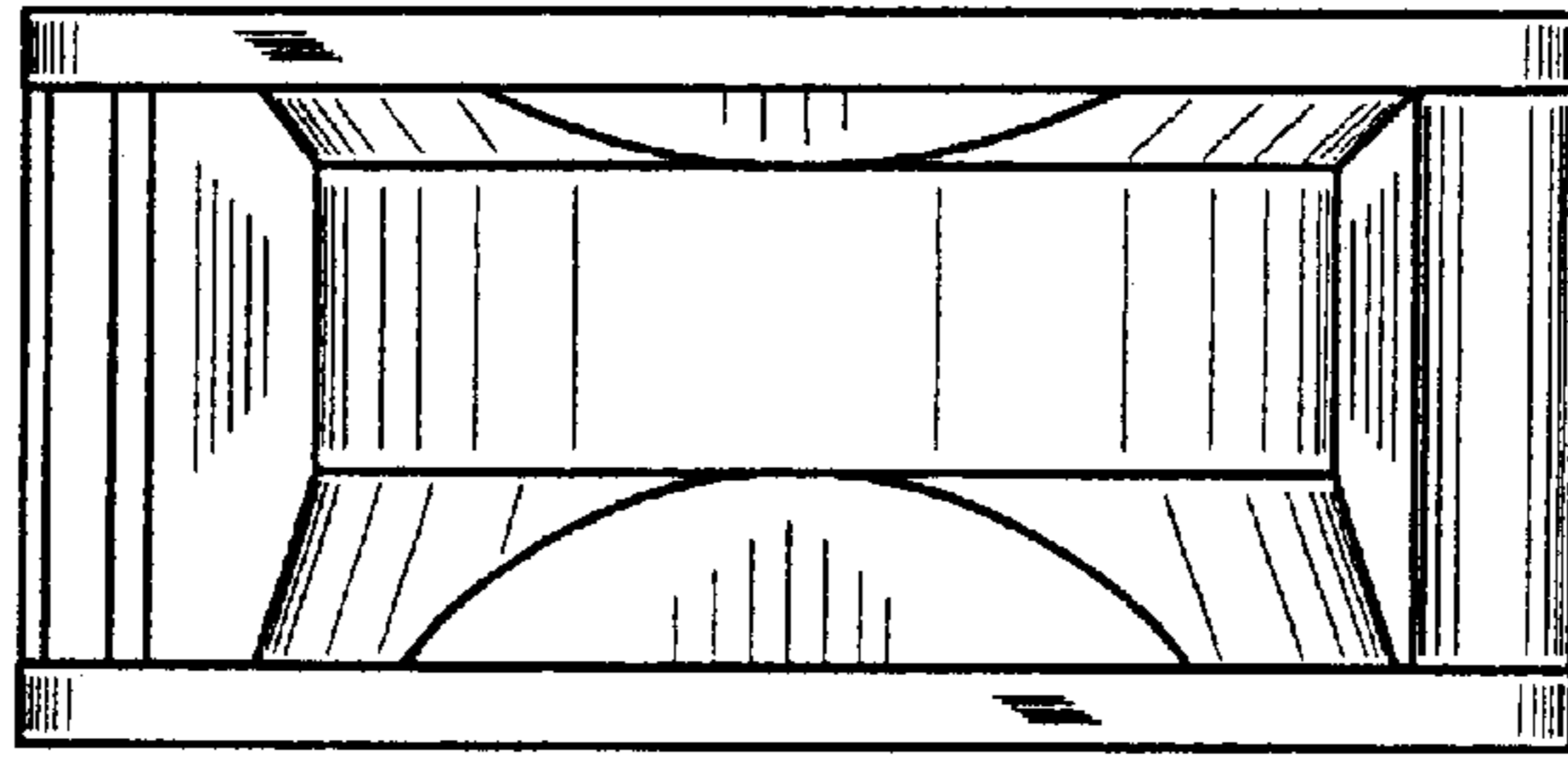


Fig. 6

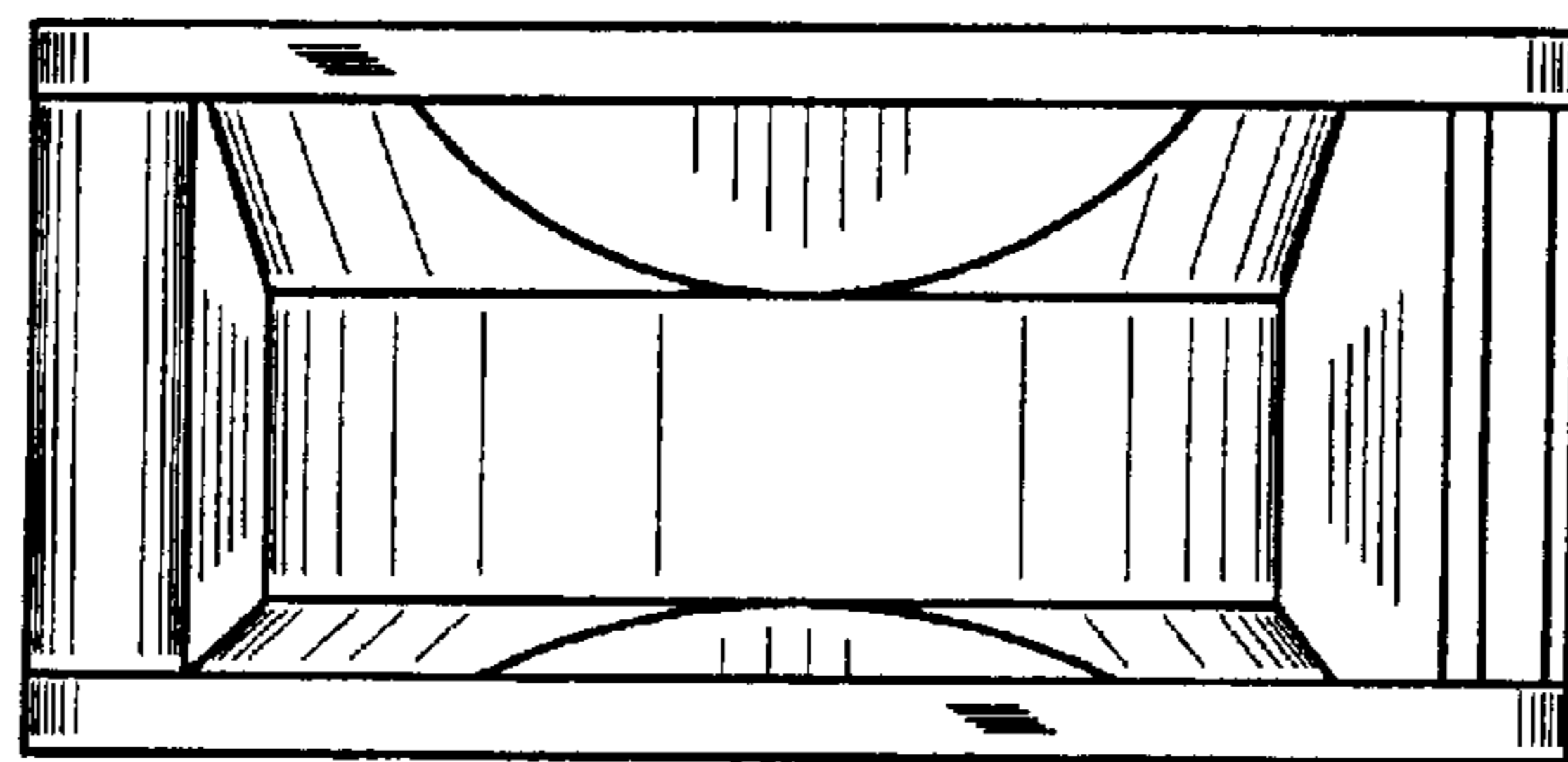


Fig. 7

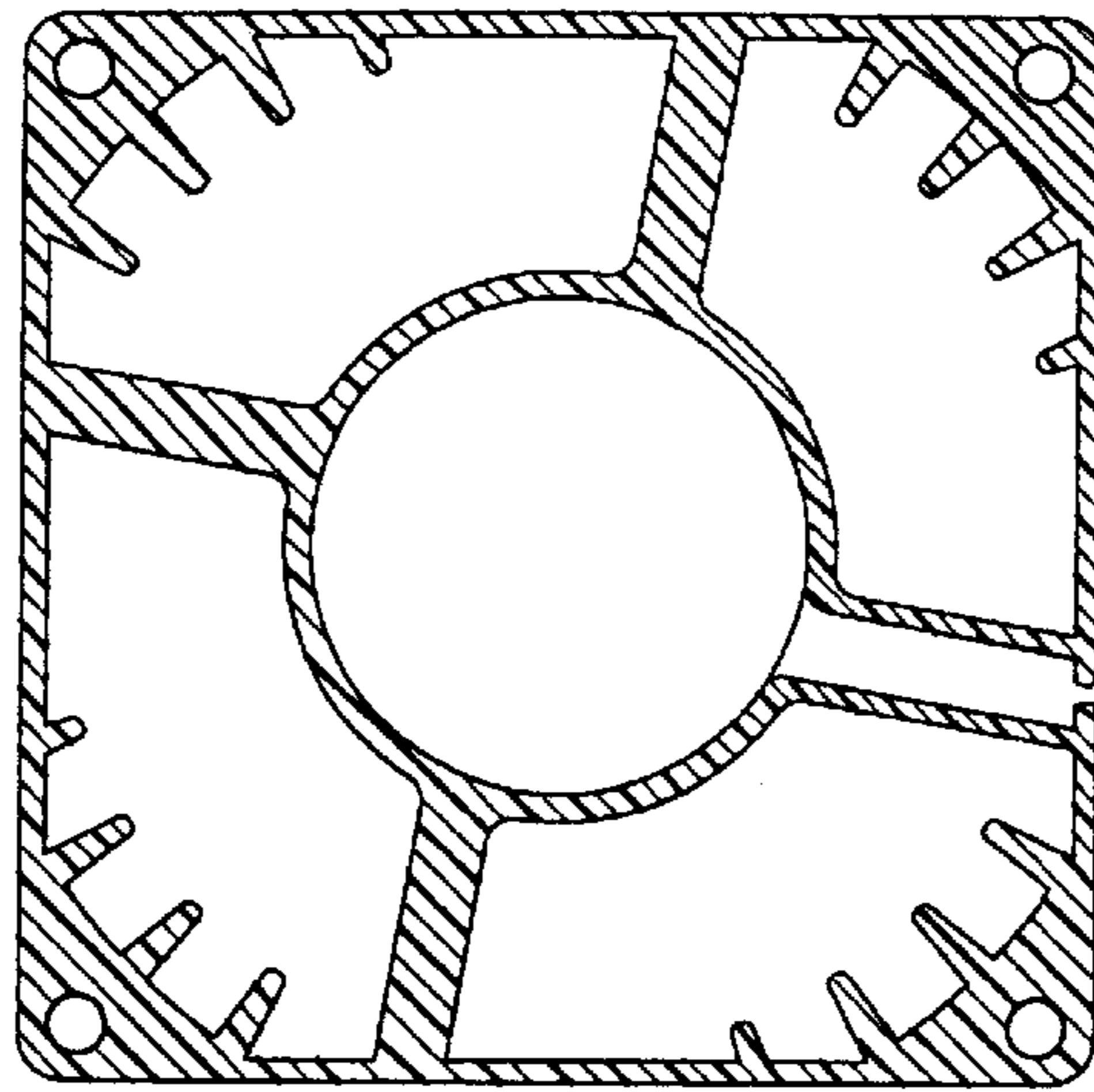


Fig. 8

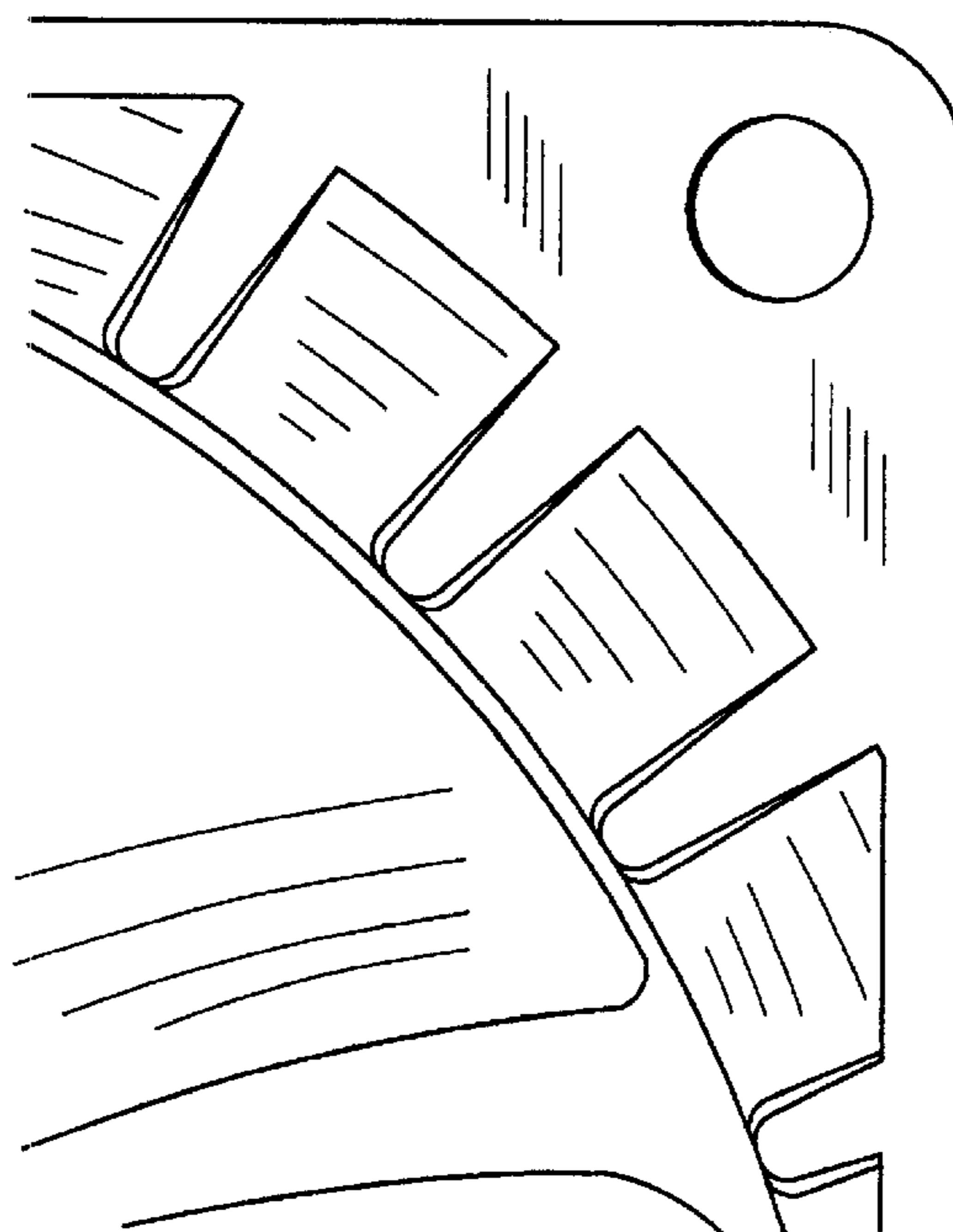


Fig. 9

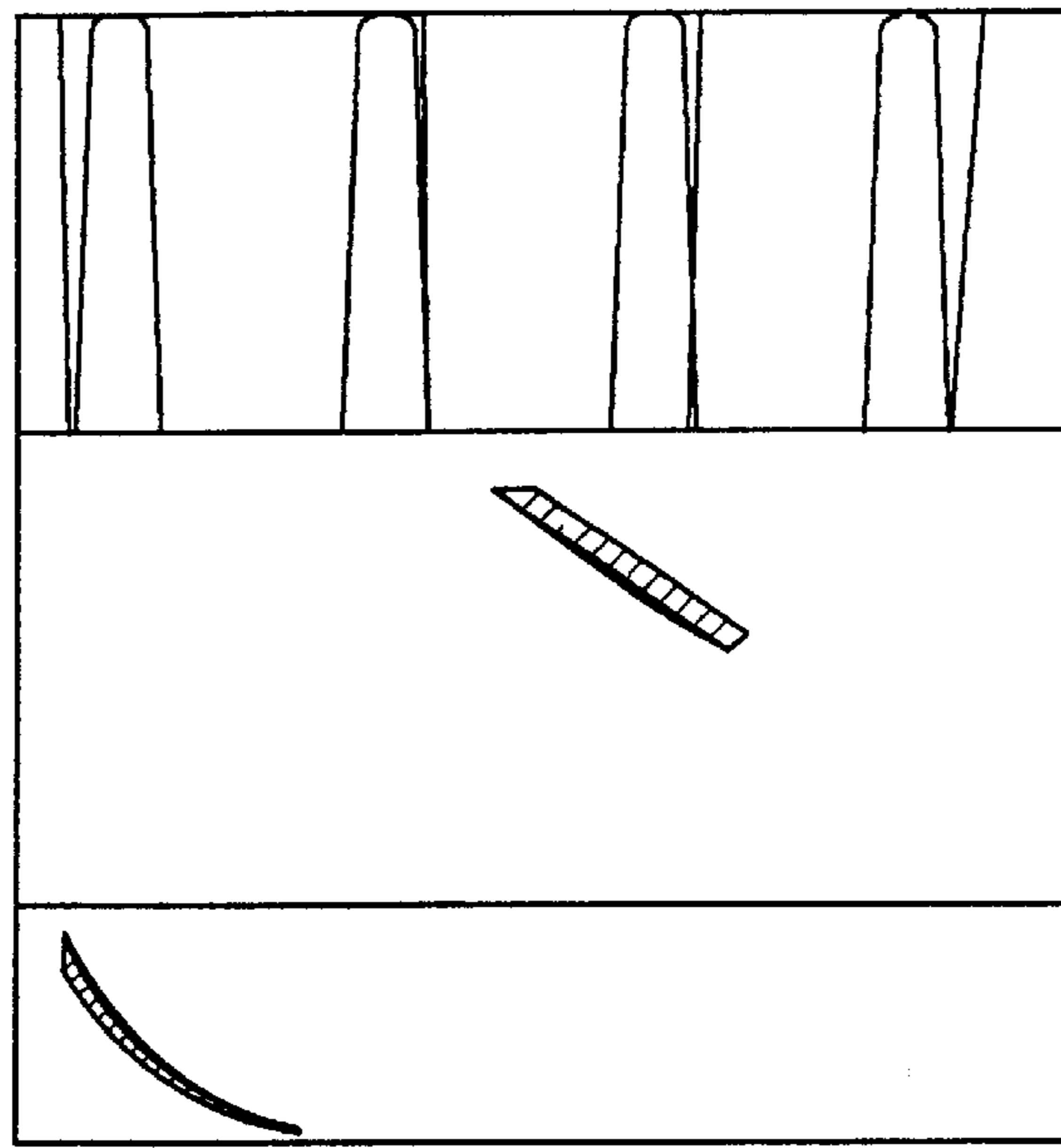


Fig. 10

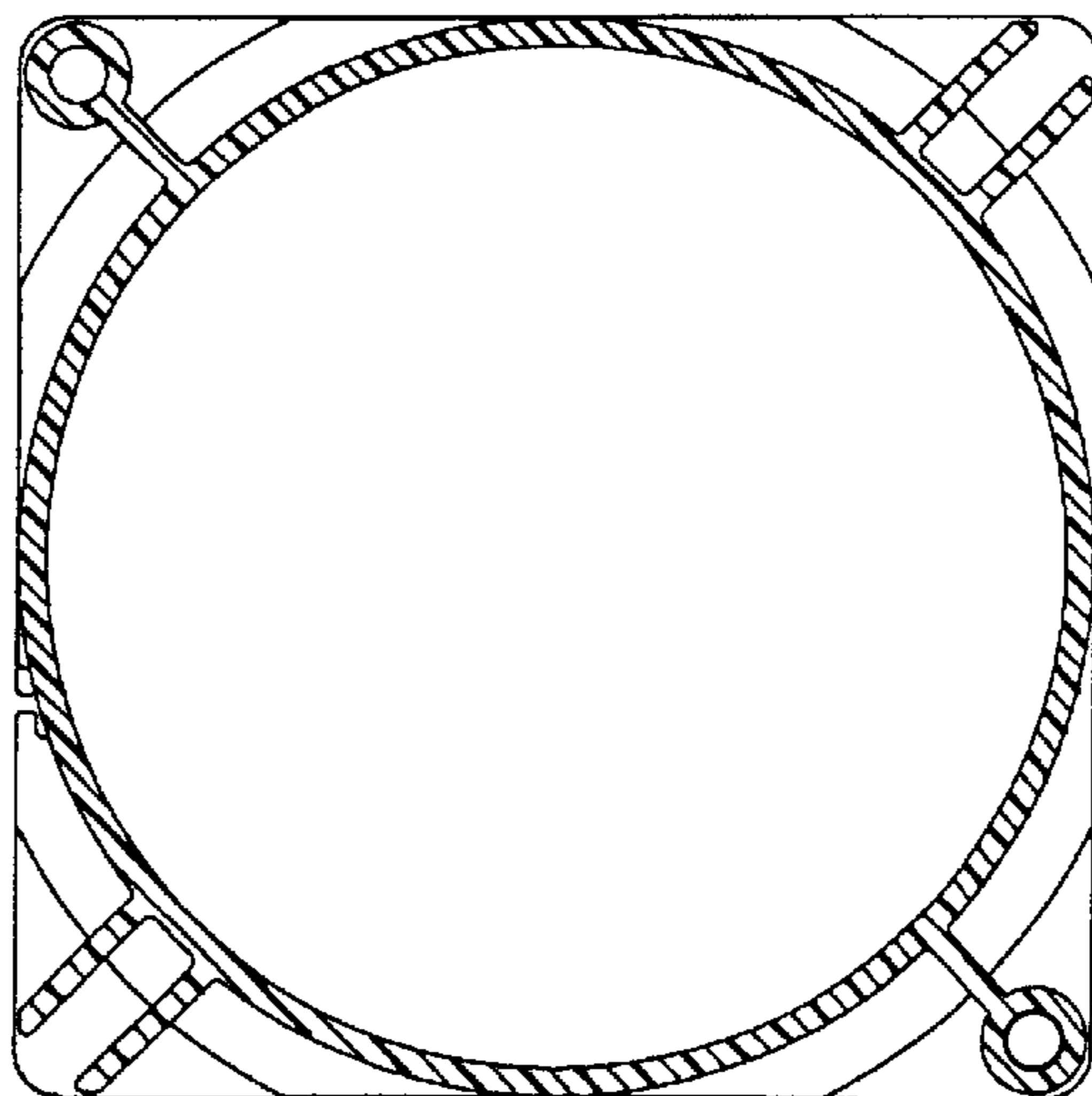


Fig. 11

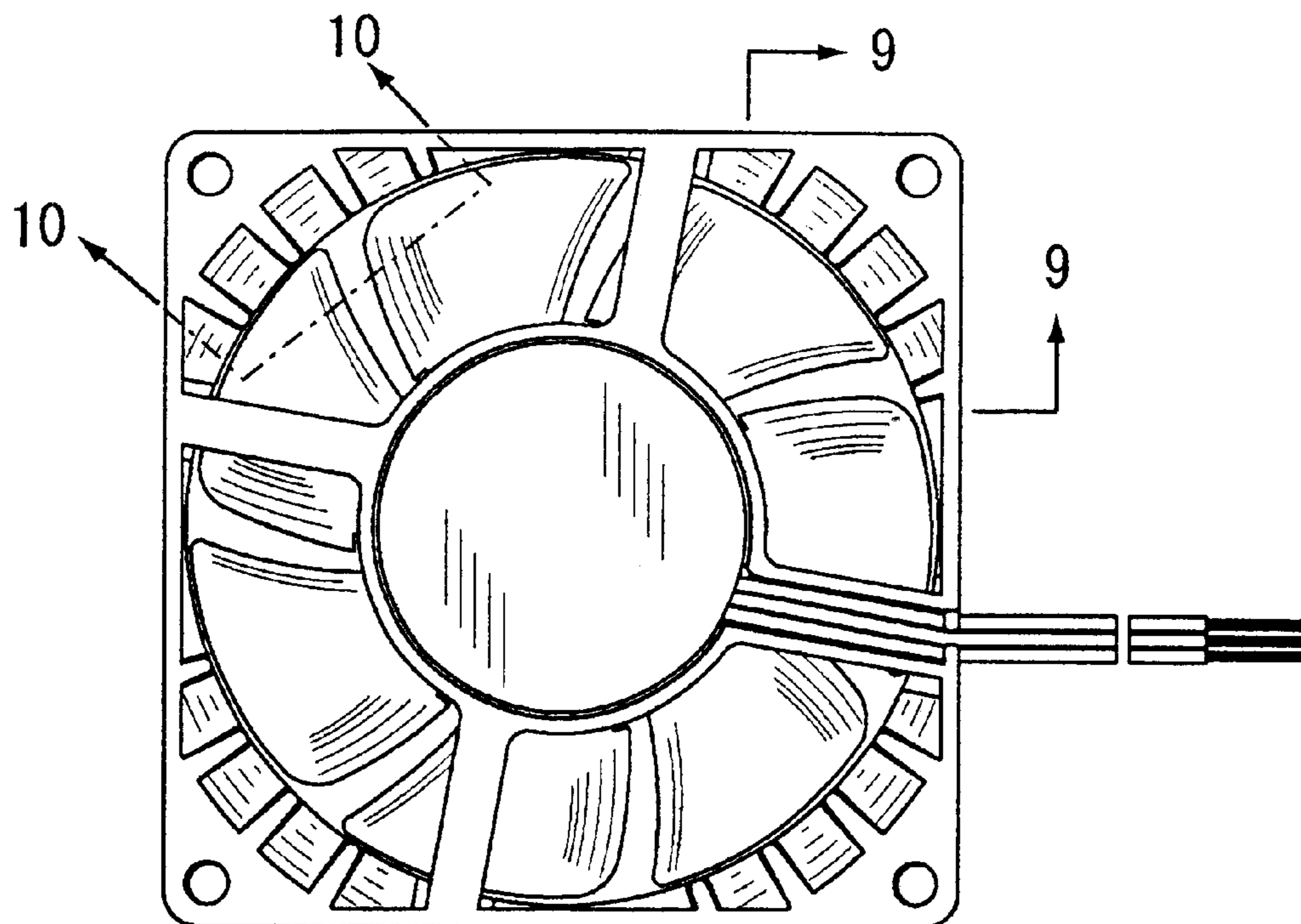


Fig. 12

UNITED STATES PATENT AND TRADEMARK OFFICE
CERTIFICATE OF CORRECTION

PATENT NO. : Des. 531,716 S
APPLICATION NO. : 29/204483
DATED : November 7, 2006
INVENTOR(S) : Watanabe et al.

Page 1 of 1

It is certified that error appears in the above-identified patent and that said Letters Patent is hereby corrected as shown below:

On the Title page, item 57 should be added

--The disclosure of Japanese Patent Application JP 2003-032305 is expressly incorporated herein in its entirety. All of the material from the Japanese patent which is essential to the claimed design is included in this application. Any material in the Japanese patent which is not present in this application forms no part of the claimed design.--

Signed and Sealed this

Ninth Day of January, 2007

A handwritten signature in black ink on a dotted background. The signature reads "Jon W. Dudas" in a cursive style.

JON W. DUDAS

Director of the United States Patent and Trademark Office