



US00D531715S

(12) **United States Design Patent** (10) **Patent No.:** **US D531,715 S**
Andrews et al. (45) **Date of Patent:** **** Nov. 7, 2006**

(54) **COMBINED FAN AND NOVELTY ITEM**

(57) **CLAIM**

(75) Inventors: **Mark Andrews**, Cary, NC (US); **Mary Andrews**, Cary, NC (US)

The ornamental design for a combined fan and novelty item, substantially as shown and described.

(73) Assignee: **Upshift Design LLC**, Apex, NC (US)

DESCRIPTION

(**) Term: **14 Years**

FIG. 1 is an isometric view showing the front, top, and one side of the first embodiment of our invention.

(21) Appl. No.: **29/214,093**

FIG. 2 is a reduced elevation view of the front of the first embodiment of our invention.

(22) Filed: **Sep. 28, 2004**

FIG. 3 is a reduced elevation view of the first side of the first embodiment of our invention.

(51) **LOC (8) Cl.** **23-04**

FIG. 4 is a reduced elevation view of the top of the first embodiment of our invention.

(52) **U.S. Cl.** **D23/328**

FIG. 5 is a reduced elevation view of the rear of the first embodiment of our invention.

(58) **Field of Classification Search** D23/328,
D23/378, 382, 370; D11/157; D20/29; D18/24,
D18/29; 416/246, 247 R, 63
See application file for complete search history.

FIG. 6 is a reduced elevation view of the second side of the first embodiment of our invention.

FIG. 7 is a reduced plan view of the bottom of the first embodiment of our invention.

FIG. 8 is an isometric view showing the front, top, and one side of the second embodiment of our invention.

(56) **References Cited**

U.S. PATENT DOCUMENTS

222,118	A	*	12/1879	Newnham	381/417
D248,936	S	*	8/1978	Lohan	D11/157
D304,458	S	*	11/1989	Mowry, Jr.	D18/24
D315,018	S	*	2/1991	Wang	D23/382
D351,901	S	*	10/1994	Boruch et al.	D23/328
D510,617	S	*	10/2005	Andrews et al.	D23/328
D513,798	S	*	1/2006	Andrews et al.	D23/382

FIG. 9 is a reduced elevation view of the front of the second embodiment of our invention.

FIG. 10 is a reduced elevation view of the first side of the second embodiment of our invention.

FIG. 11 is a reduced elevation view of the top of the second embodiment of our invention.

FIG. 12 is a reduced elevation view of the rear of the second embodiment of our invention.

FIG. 13 is a reduced elevation view of the second side of the second embodiment of our invention; and,

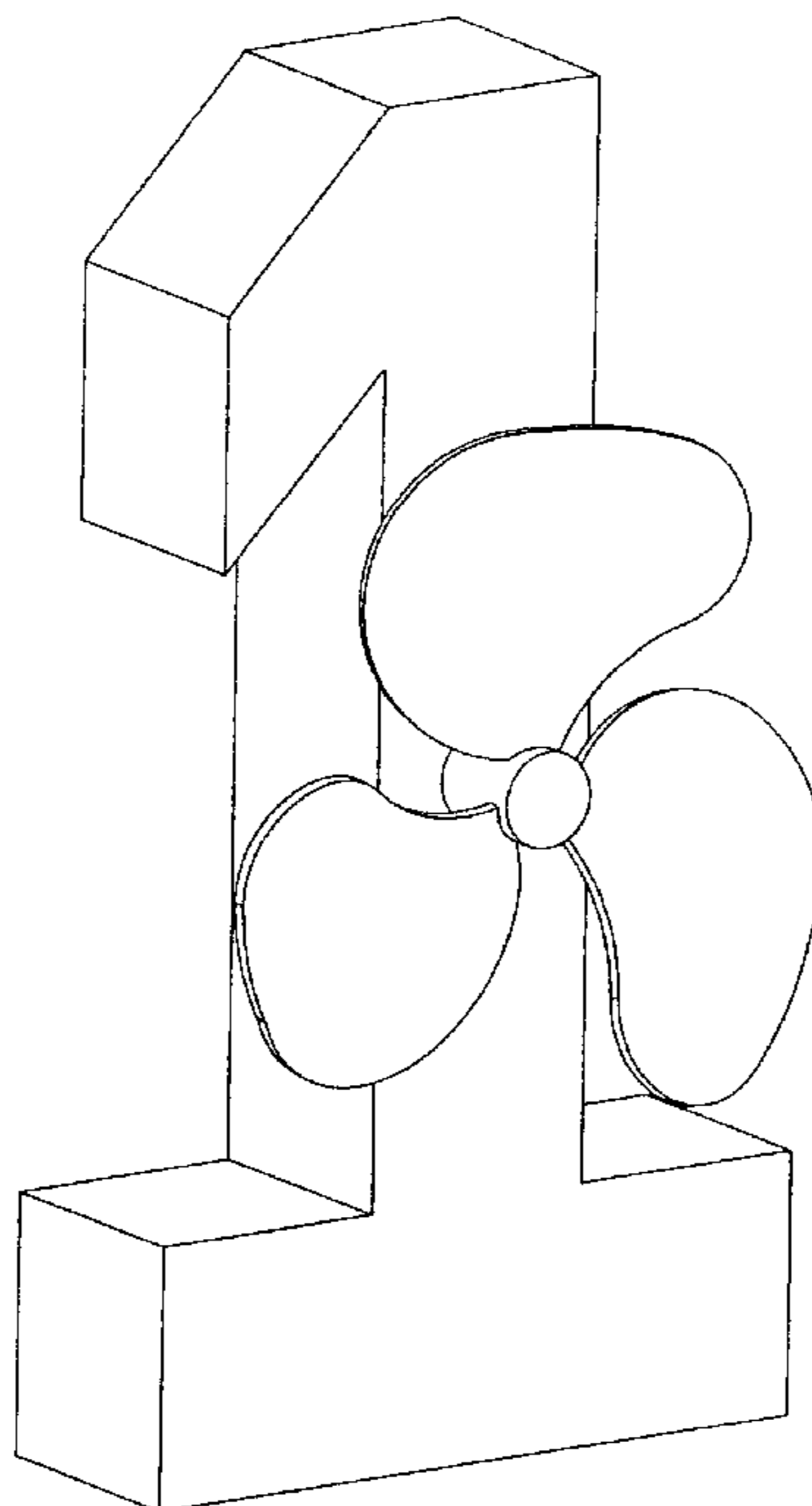
FIG. 14 is a reduced elevation view of the bottom of the second embodiment of our invention.

* cited by examiner

Primary Examiner—Lisa Lichtenstein

(74) *Attorney, Agent, or Firm*—Epstein Drangel Bazerman & James, LLP; Robert L. Epstein

1 Claim, 6 Drawing Sheets



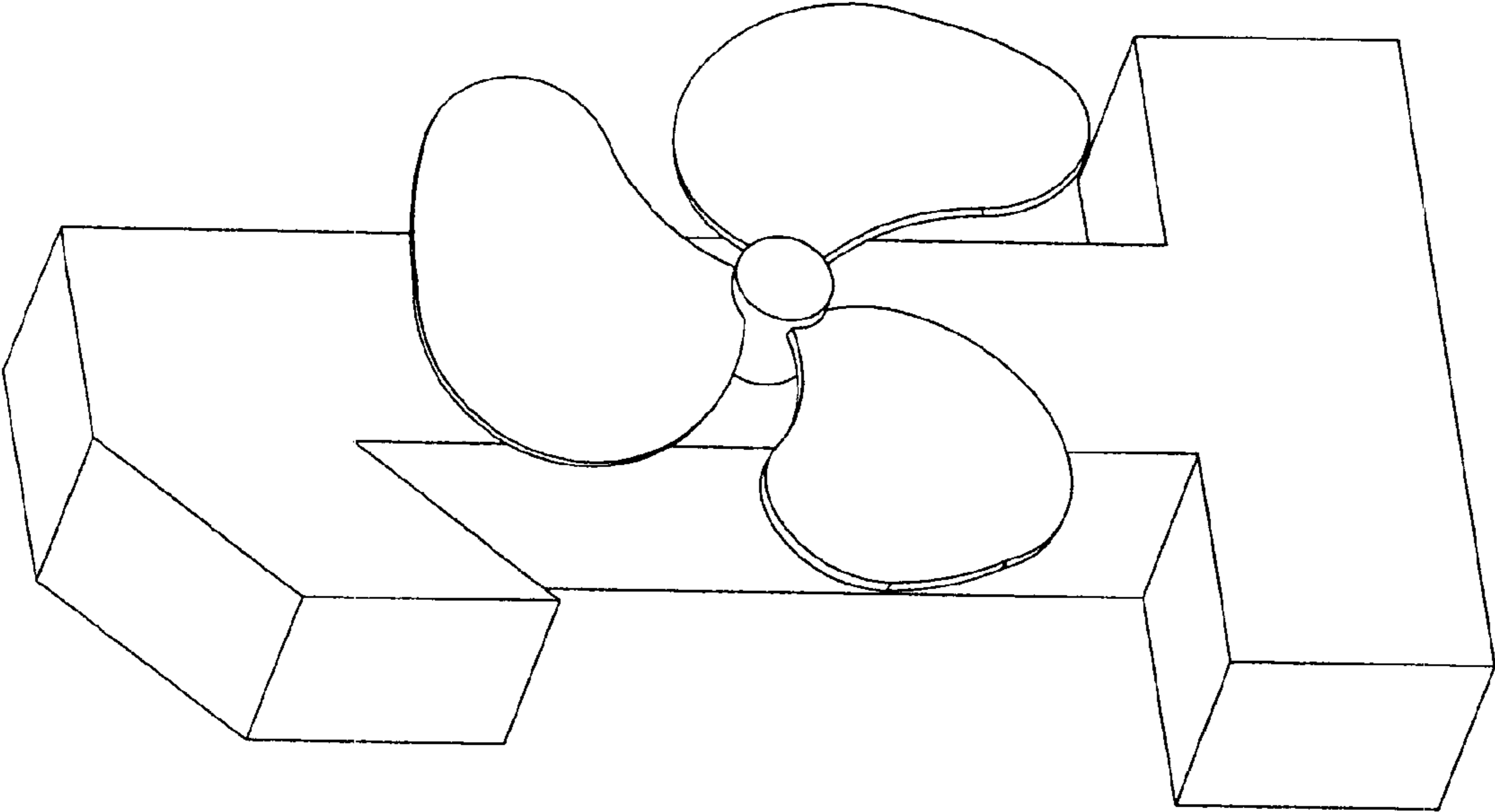


Figure 1

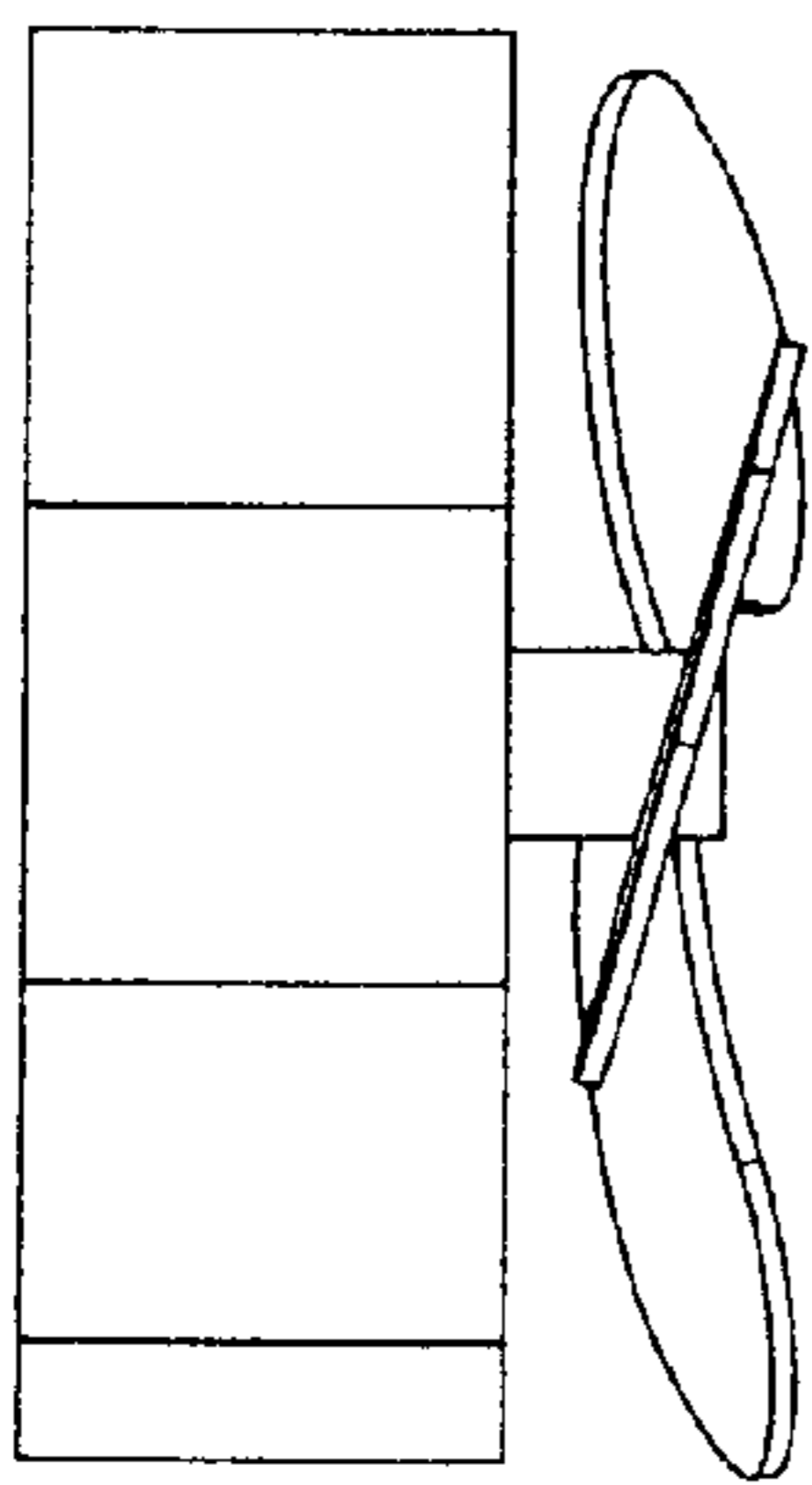


Figure 4

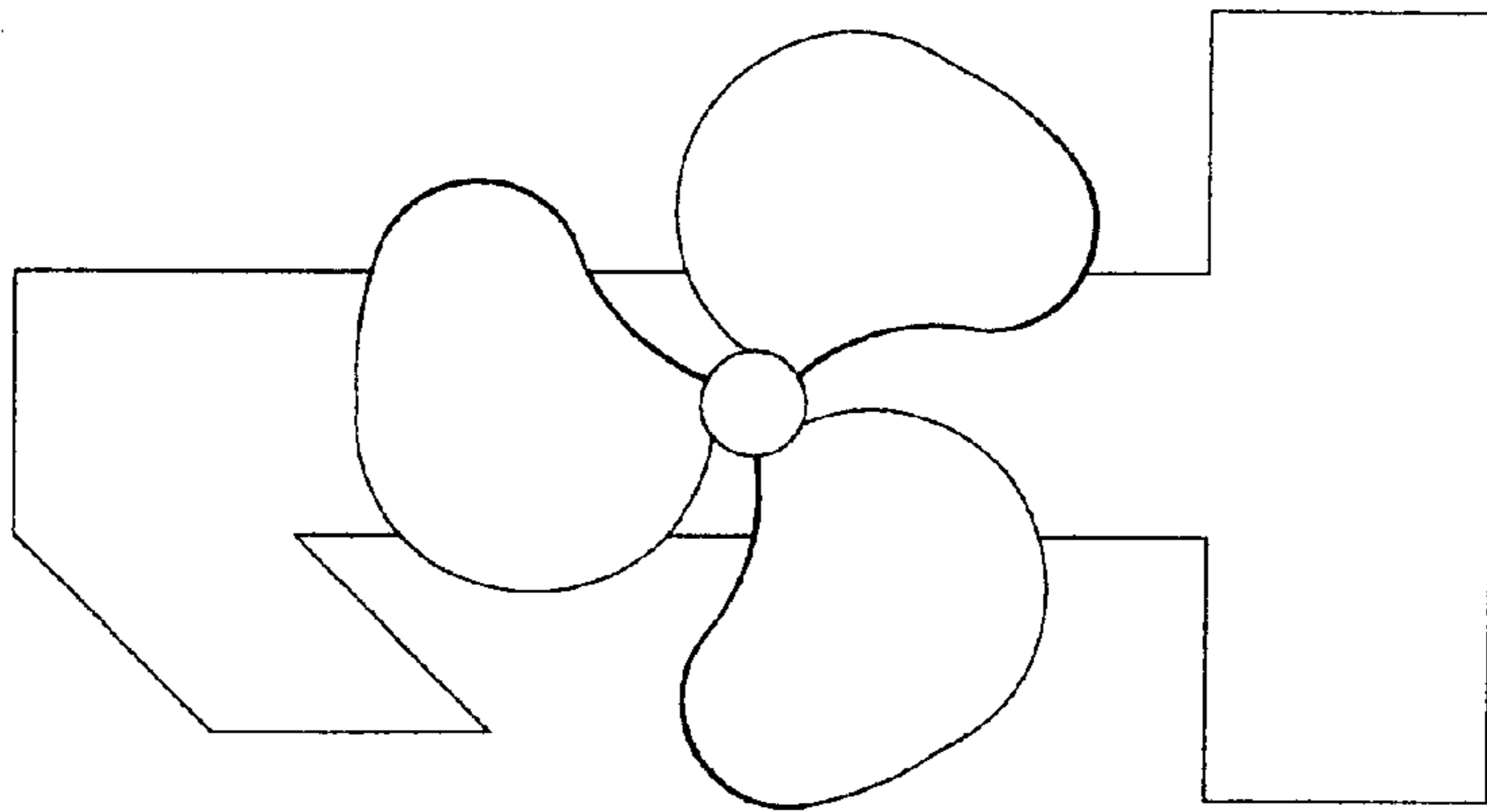


Figure 2

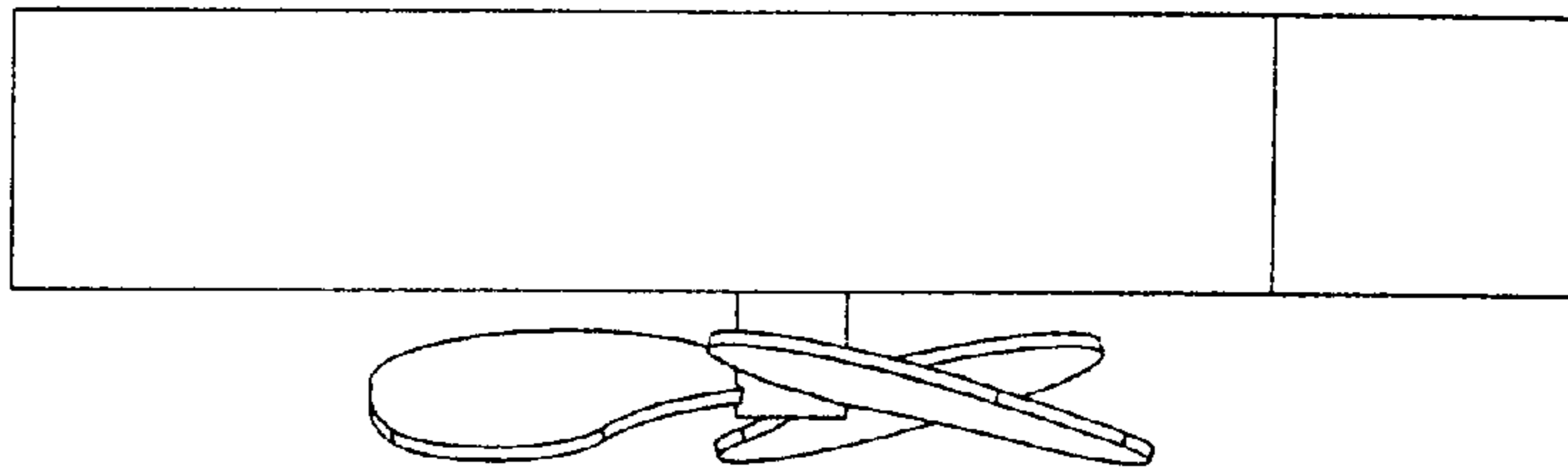


Figure 3

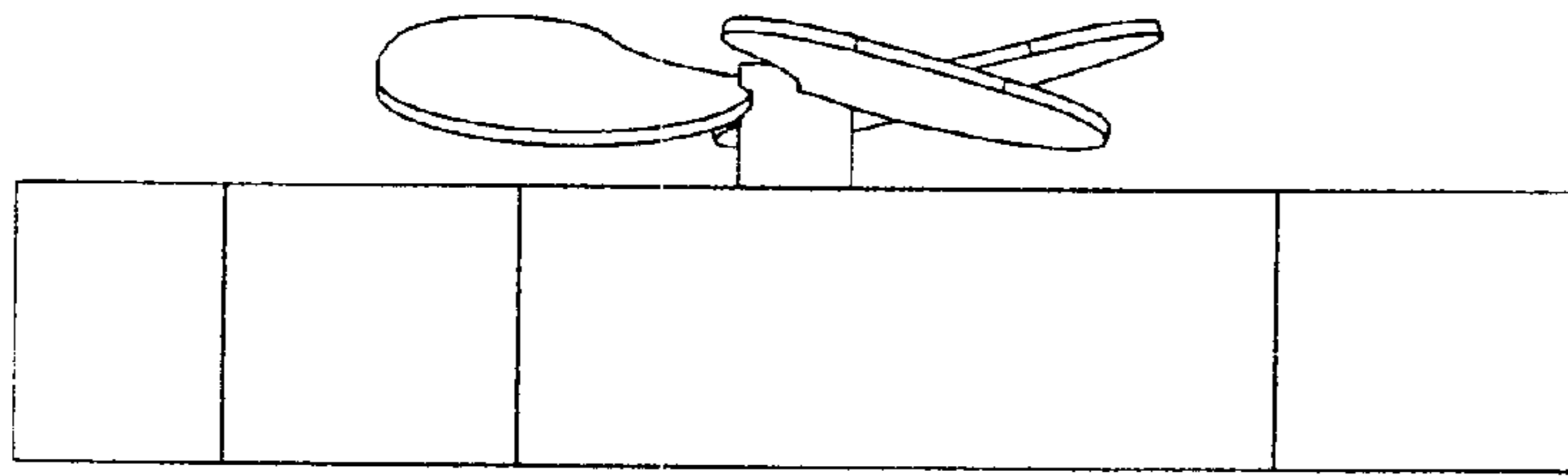


Figure 6

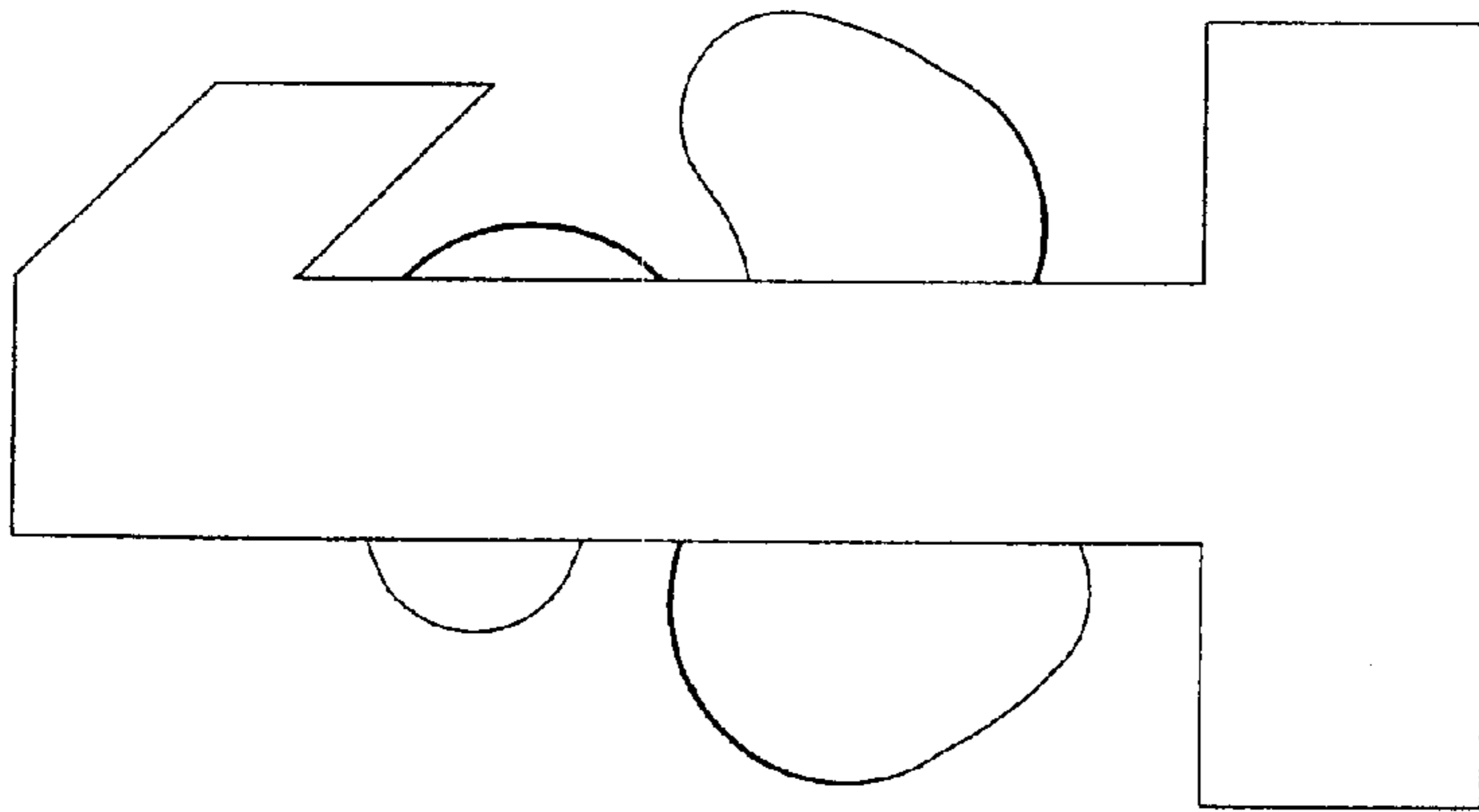


Figure 5

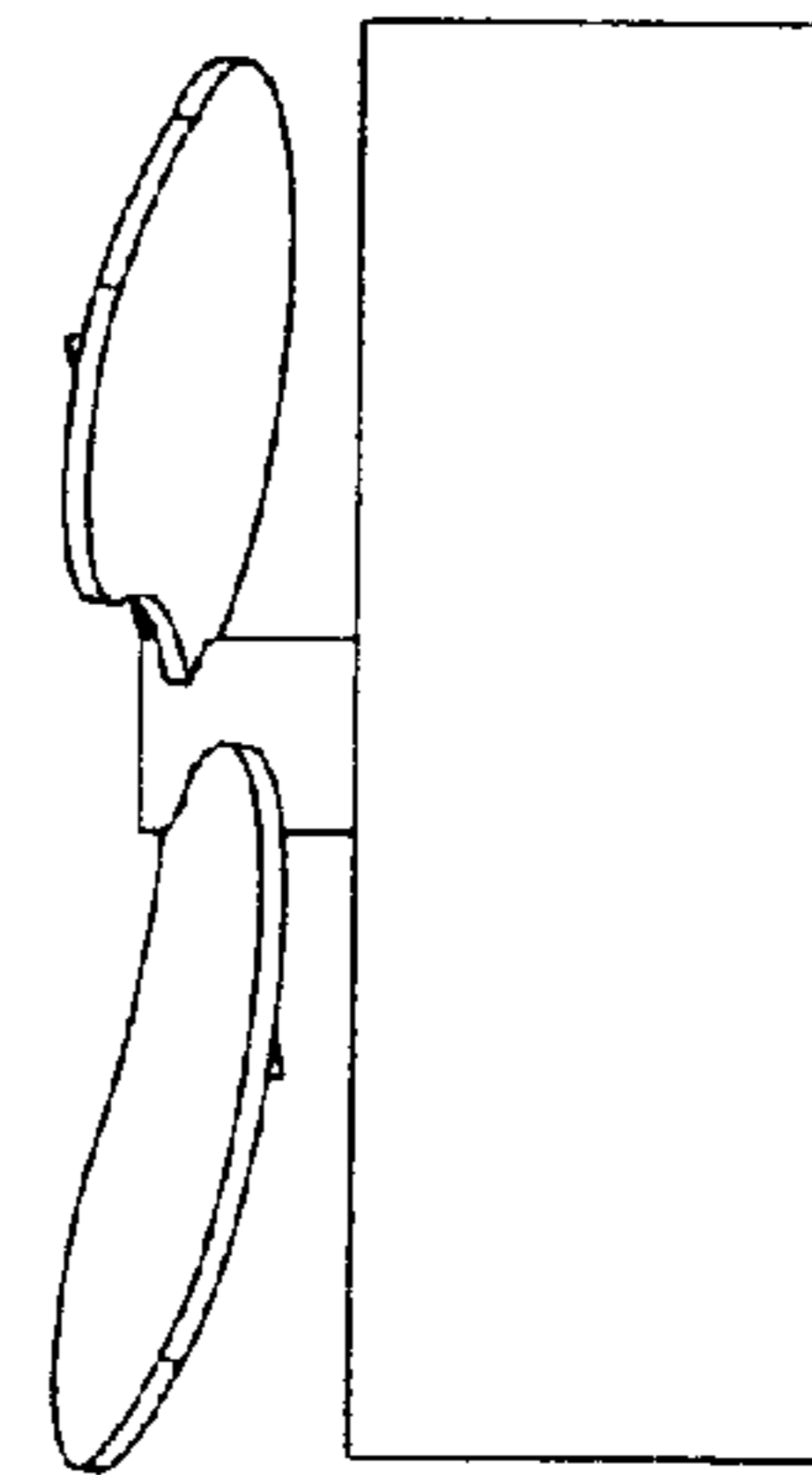


Figure 7

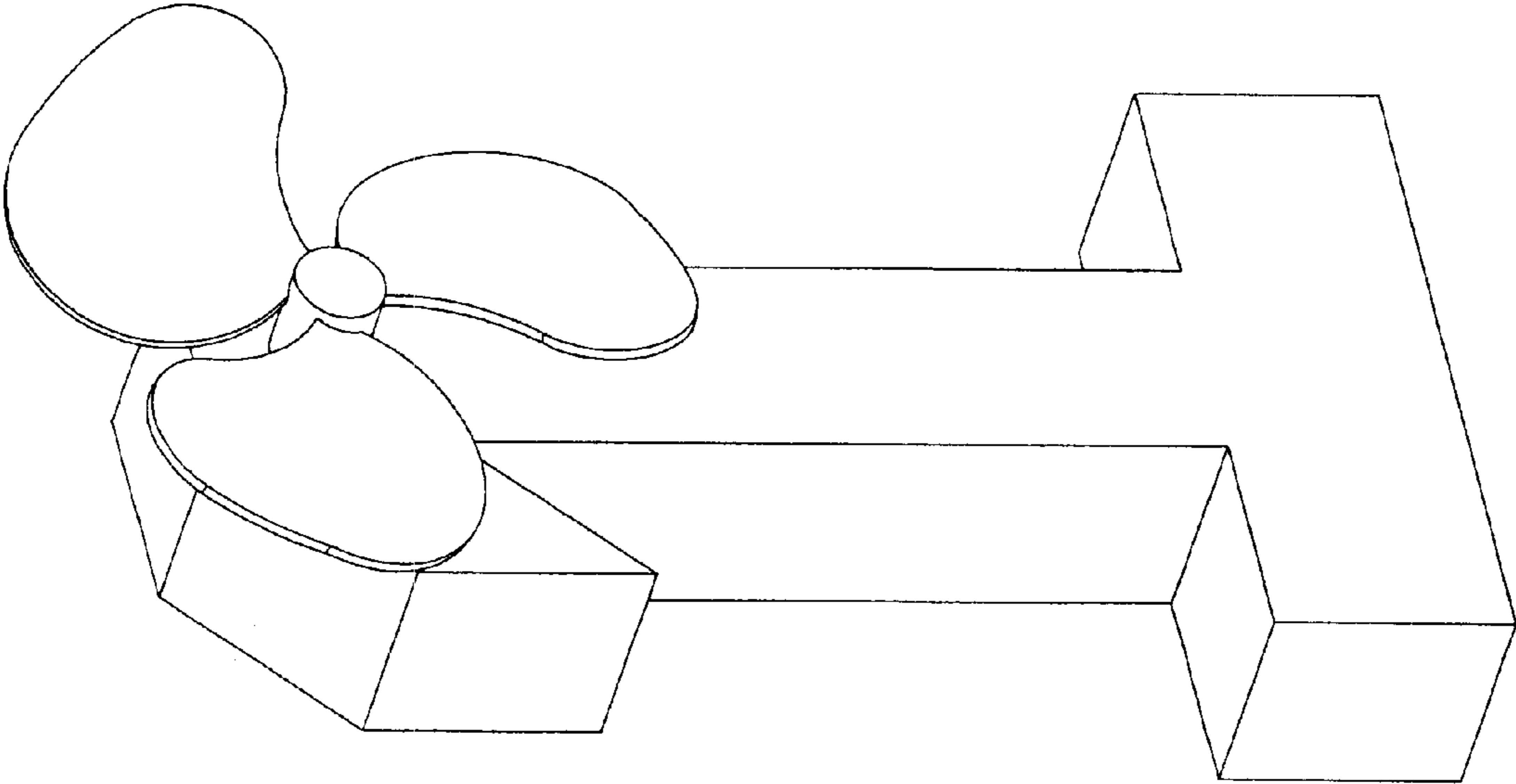


Figure 8

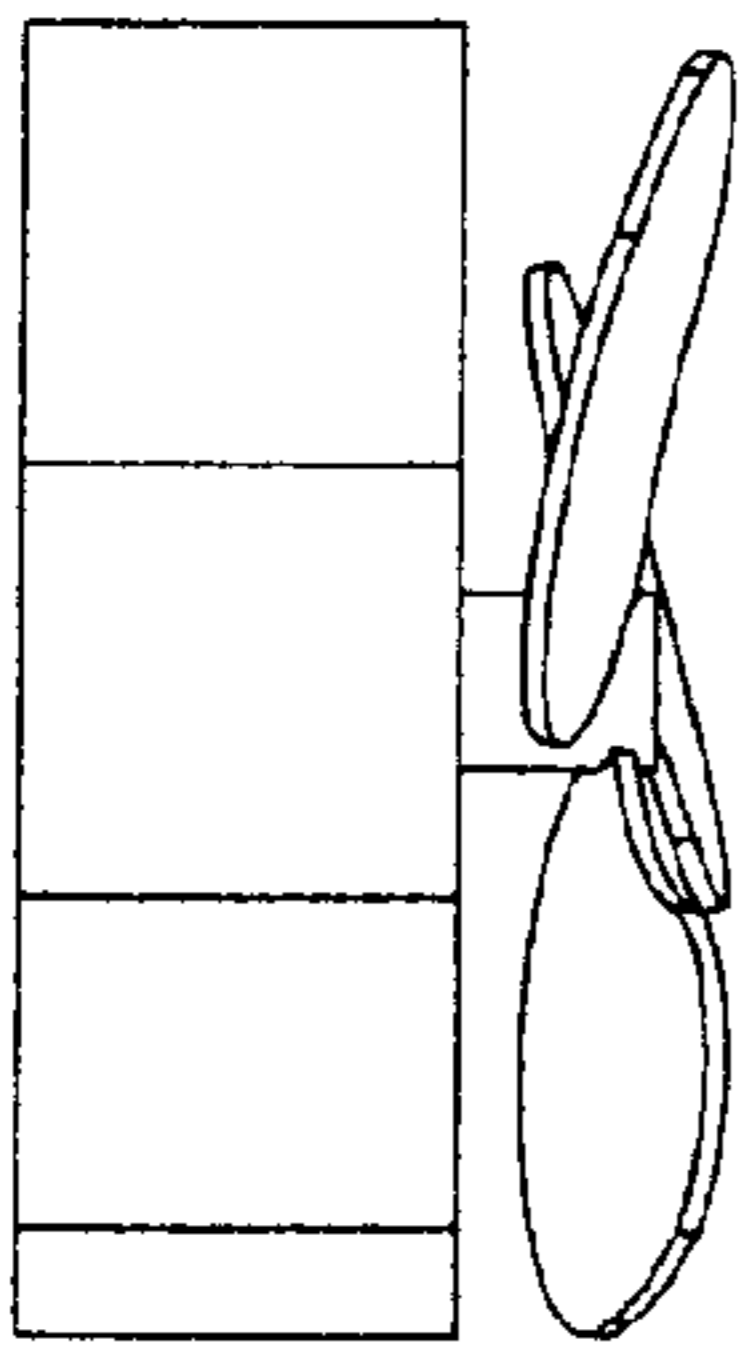


Figure 11

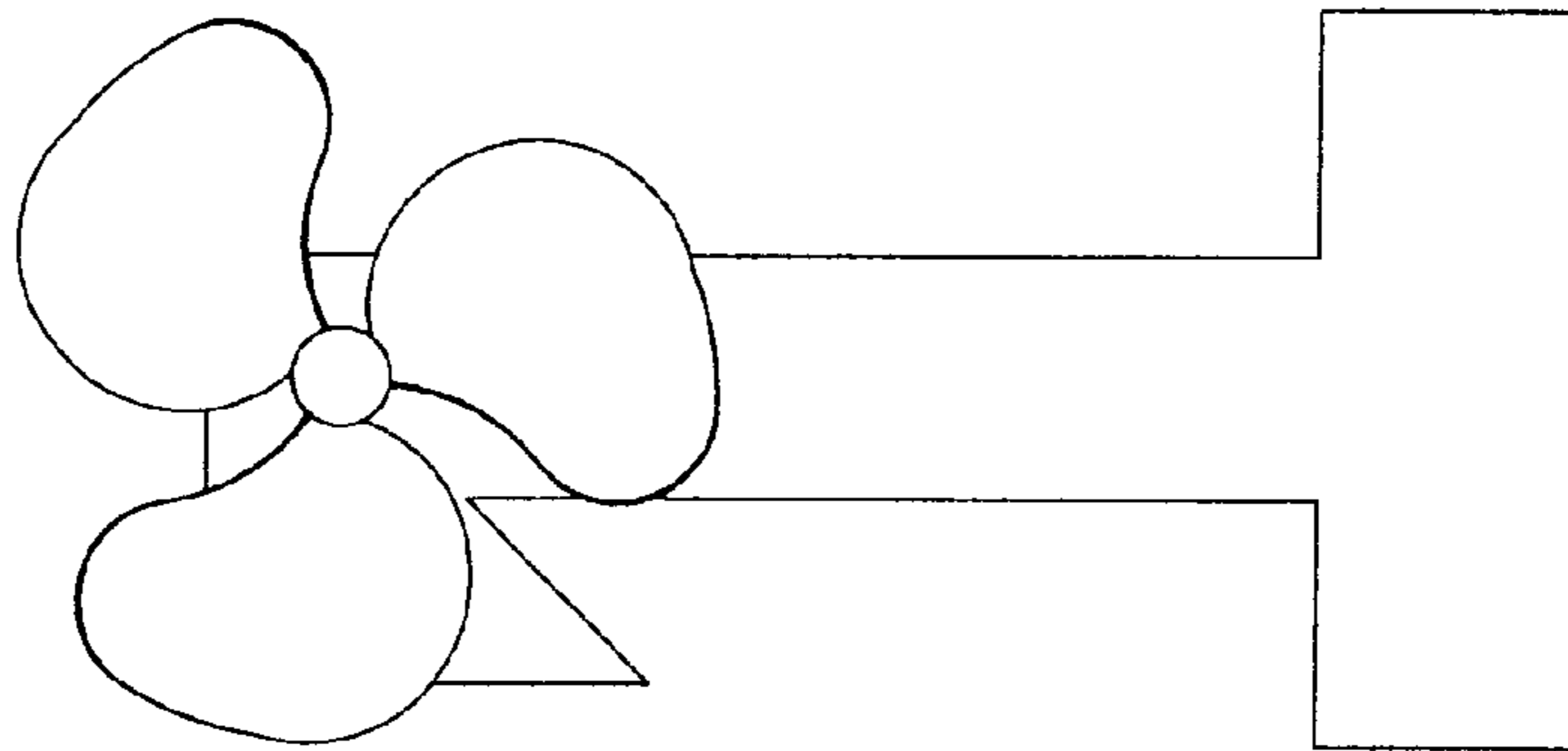


Figure 9

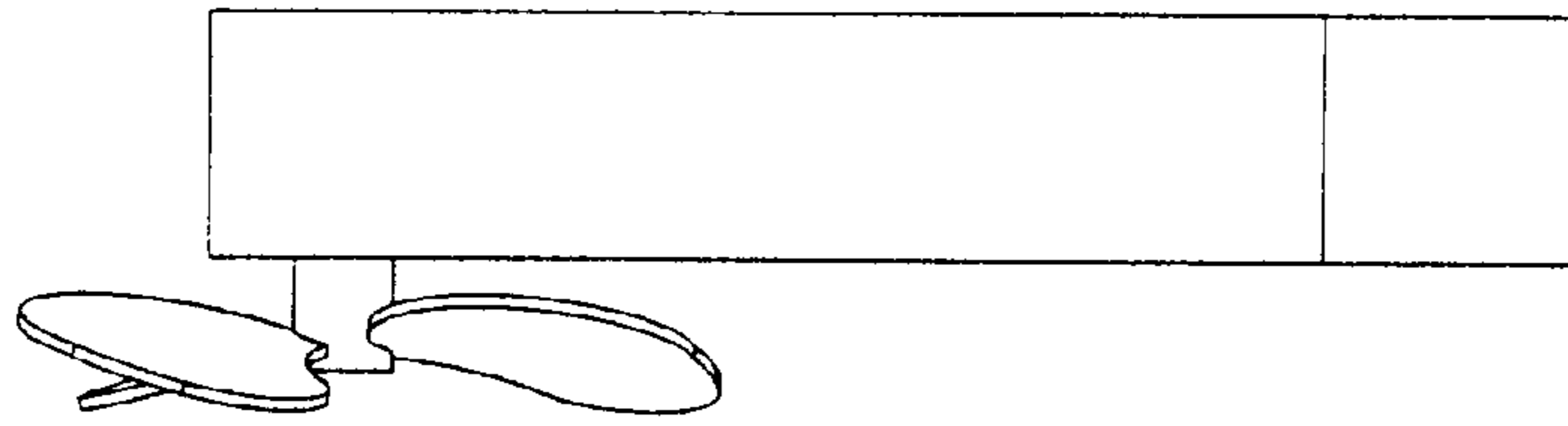


Figure 10

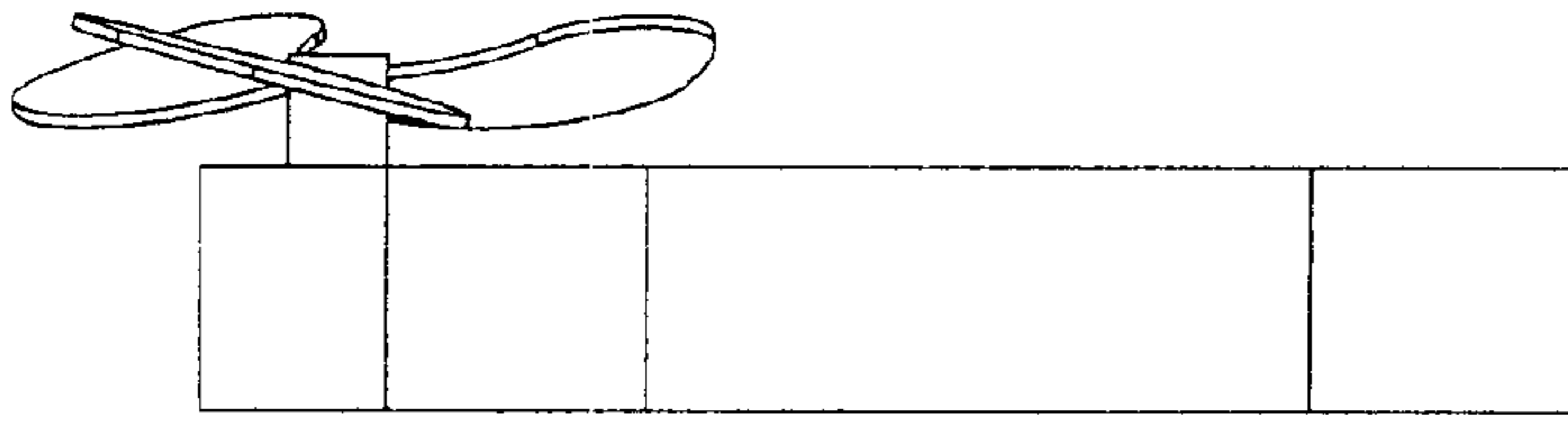


Figure 13

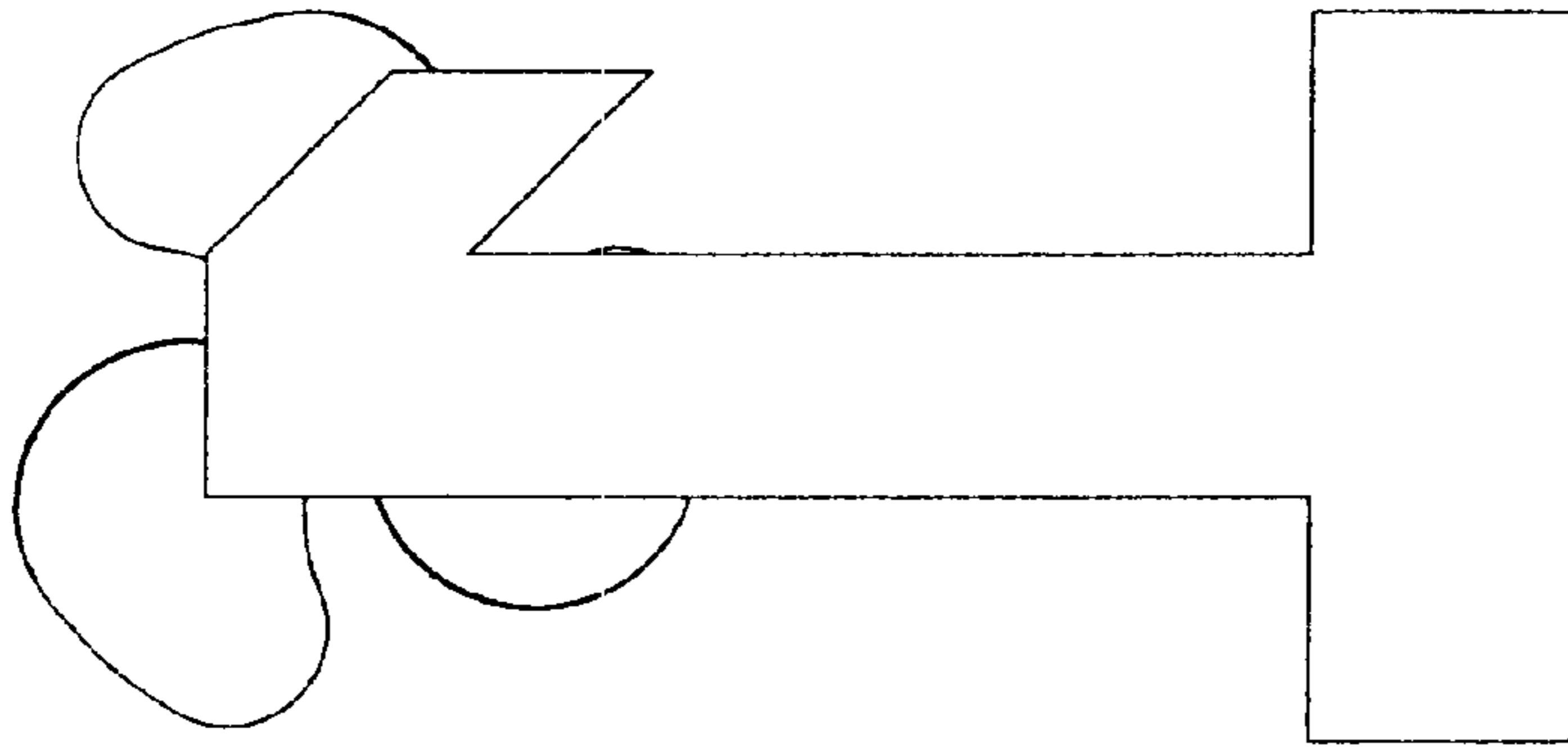


Figure 12

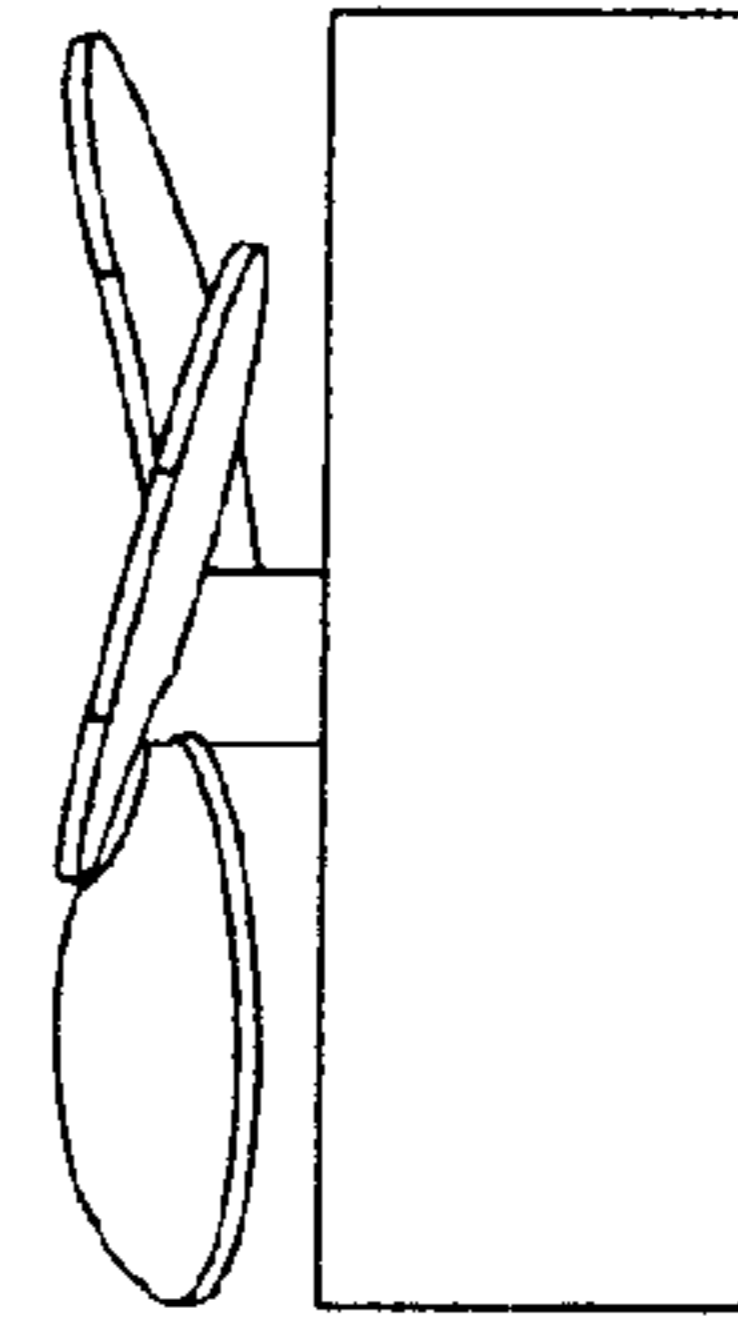


Figure 14