



US00D531710S

(12) **United States Design Patent**
Massaud

(10) **Patent No.:** **US D531,710 S**

(45) **Date of Patent:** **** Nov. 7, 2006**

(54) **SHOWER PANEL**

D287,398 S * 12/1986 Fisher et al. D23/283

(75) Inventor: **Jean Marie Massaud**, Paris (FR)

* cited by examiner

(73) Assignee: **Hansgrohe AG** (DE)

Primary Examiner—Robert A. Delehanty

(**) Term: **14 Years**

(74) *Attorney, Agent, or Firm*—Kwadjo Adusei-Poku;
Lloyd D. Doigan

(21) Appl. No.: **29/239,084**

(57) **CLAIM**

(22) Filed: **Sep. 26, 2005**

The ornamental design for a shower panel, as shown and described.

(30) **Foreign Application Priority Data**

DESCRIPTION

Apr. 8, 2005 (EM) 000324207-0010

(51) **LOC (8) Cl.** **23-02**

(52) **U.S. Cl.** **D23/283**

(58) **Field of Classification Search** D23/273,
D23/275, 283, 303–305; D24/204; 4/596,
4/612–614, 663, 661, 900

FIG. 1 is a front perspective view of a shower panel showing my design;

FIG. 2 is a front elevational view thereof;

FIG. 3 is a left side elevational view thereof;

FIG. 4 is a right side elevational view thereof;

FIG. 5 is a rear elevational view thereof; and,

FIG. 6 is a top plan view thereof.

See application file for complete search history.

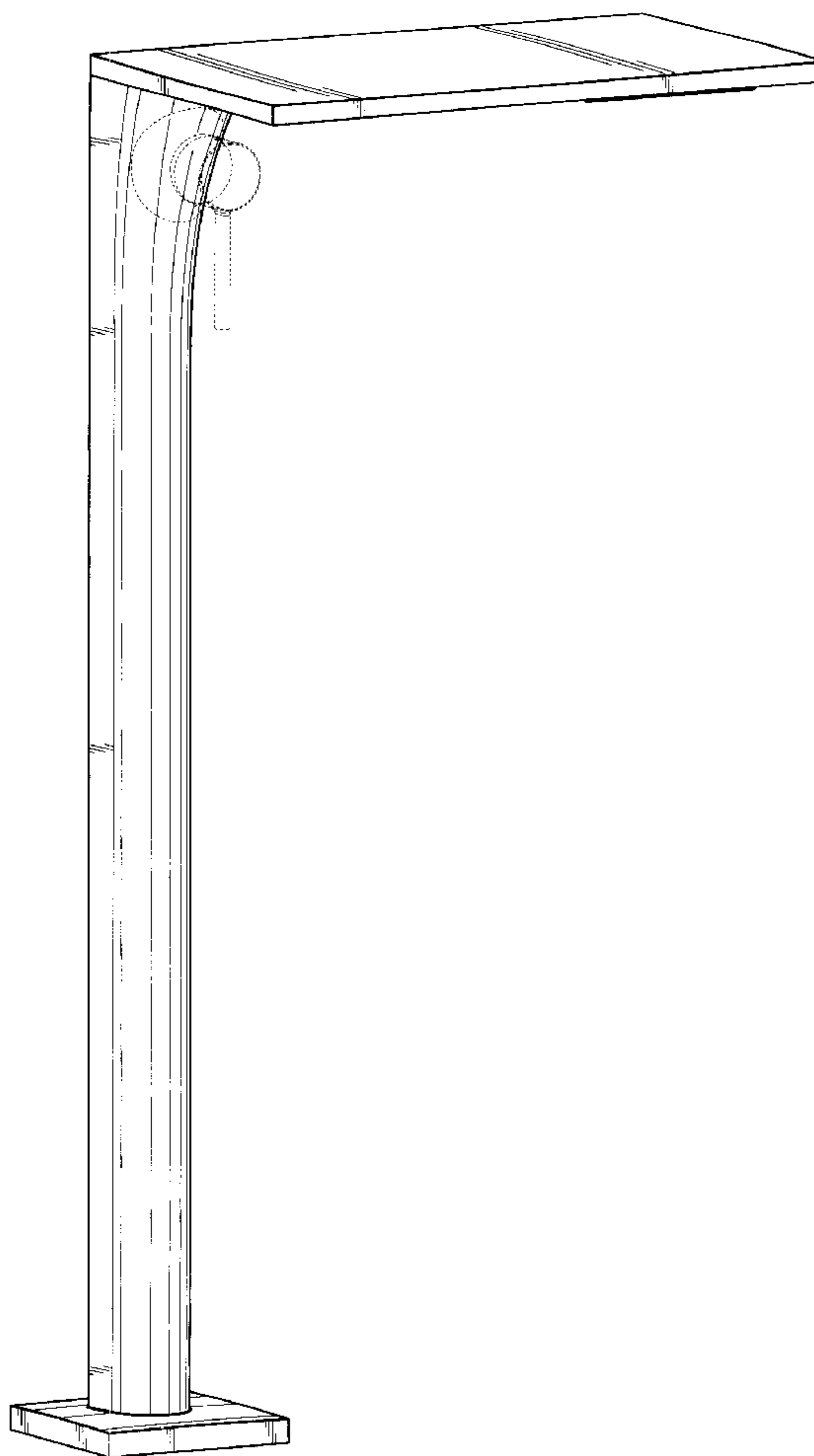
The broken lines in the Figures are for illustrative purposes only and form no part of the claimed design.

(56) **References Cited**

U.S. PATENT DOCUMENTS

D184,925 S * 4/1959 Friend D23/283

1 Claim, 5 Drawing Sheets



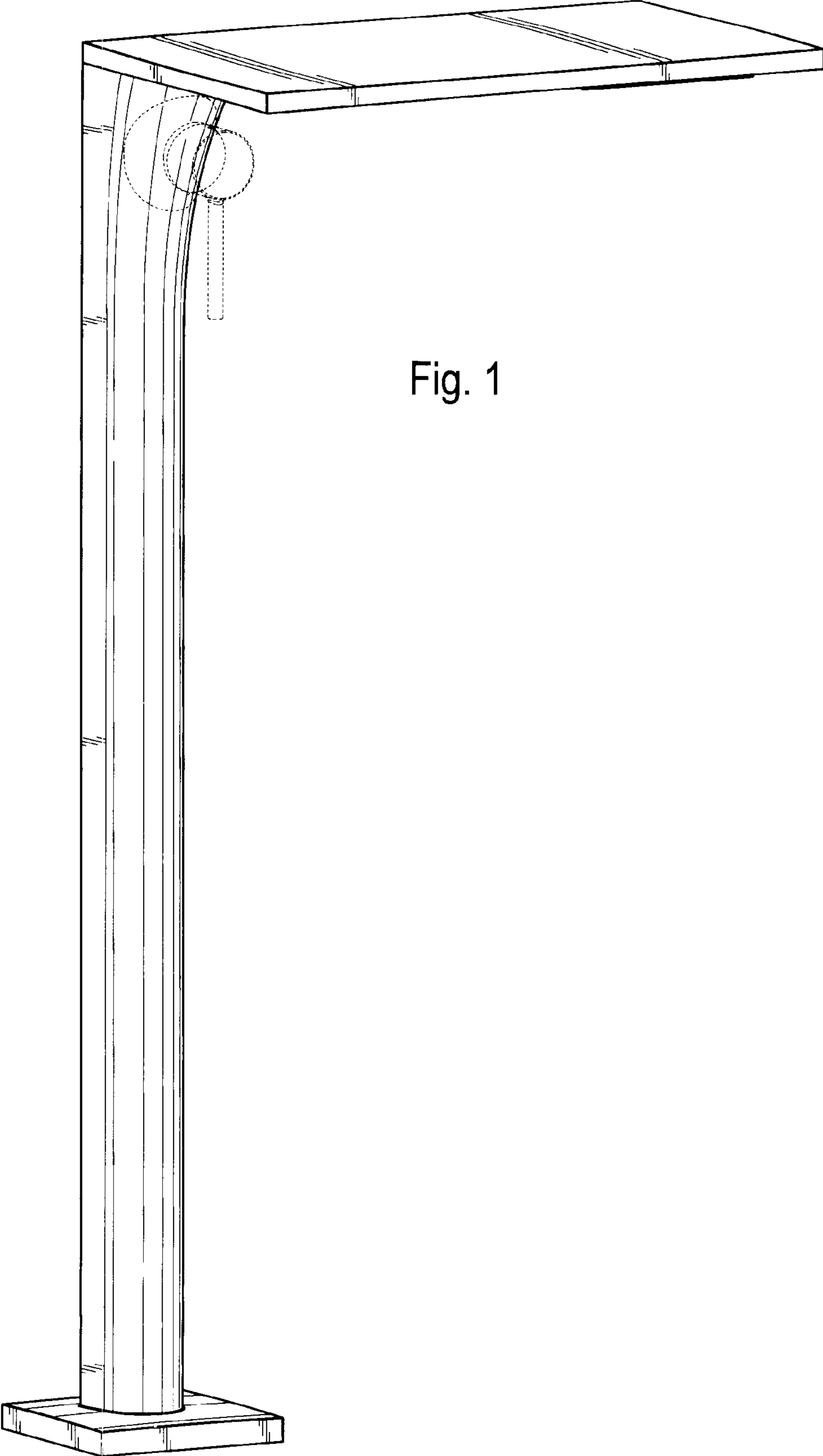


Fig. 1

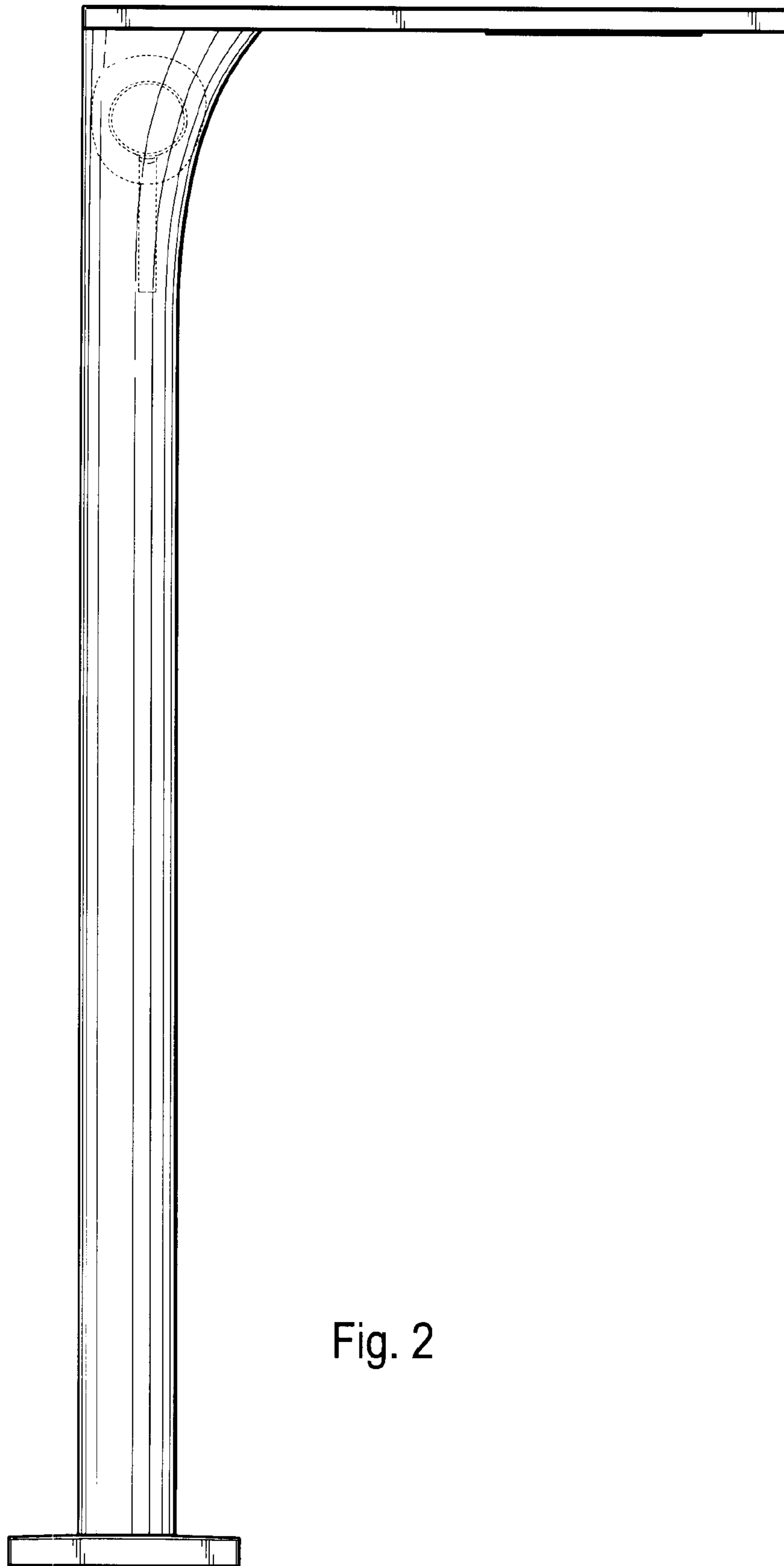
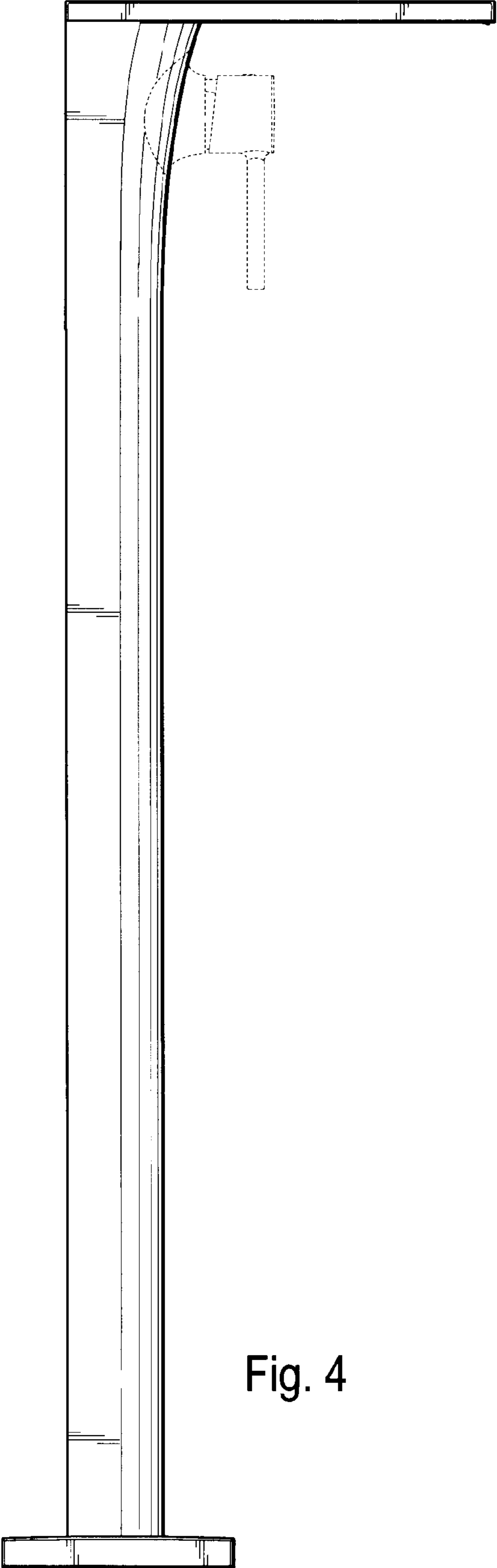
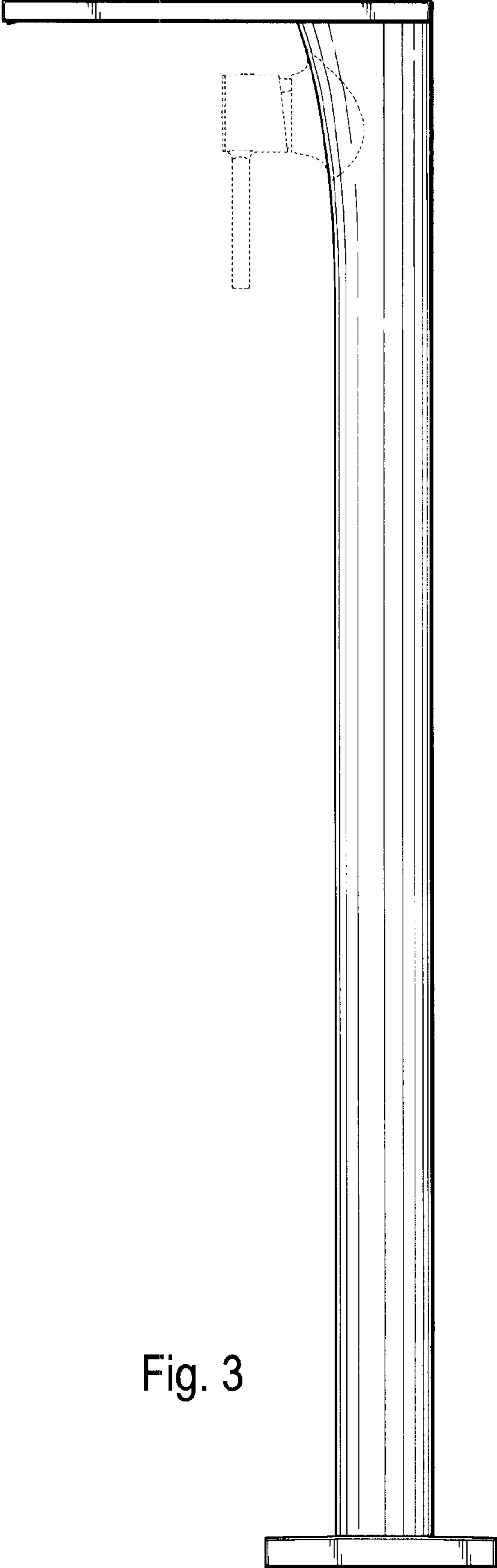


Fig. 2



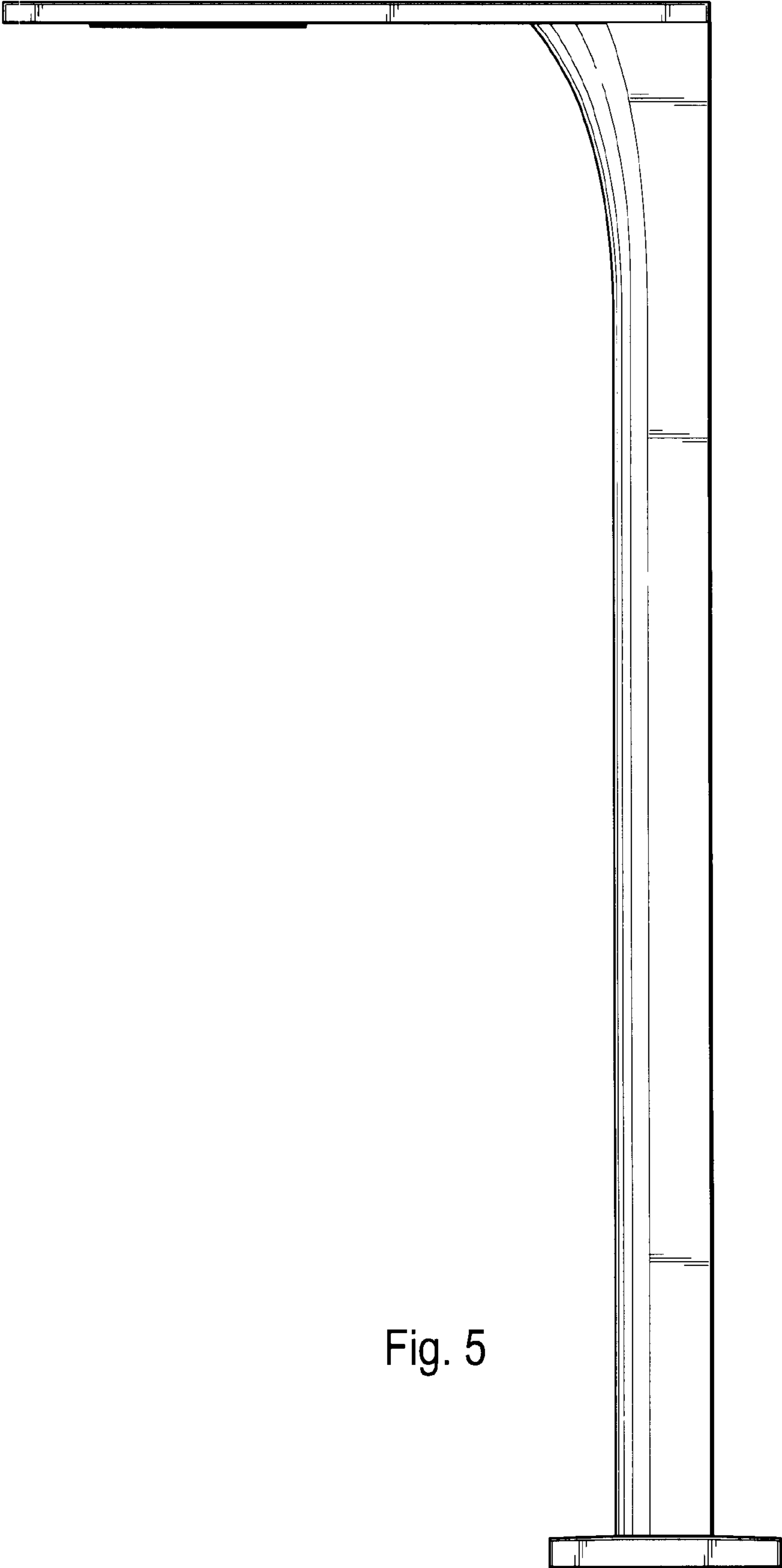


Fig. 5

Fig. 6

