



US00D531709S

(12) **United States Design Patent** (10) **Patent No.:** **US D531,709 S**
Hisey (45) **Date of Patent:** **** Nov. 7, 2006**

(54) **SHOWER ENCLOSURE**

(75) Inventor: **Christopher B. Hisey**, Plymouth, WI (US)

(73) Assignee: **Kohler Co.**, Kohler, WI (US)

(**) Term: **14 Years**

(21) Appl. No.: **29/229,654**

(22) Filed: **May 10, 2005**

(51) **LOC (8) Cl.** **23-02**

(52) **U.S. Cl.** **D23/283**

(58) **Field of Classification Search** D23/273,
D23/275, 283, 303-305; D24/204; 4/596,
4/612-614, 663, 661, 900

See application file for complete search history.

(56) **References Cited**

U.S. PATENT DOCUMENTS

D412,028 S * 7/1999 Funk et al. D23/283
D443,681 S * 6/2001 Primucci et al. D23/277
D446,848 S * 8/2001 Primucci D23/305

OTHER PUBLICATIONS

Kohler website page showing K-1631, Terracina 5' One-piece Tile-Look Walls Shower Module with Clear Acrylic Grab Bar, Interior Corner Seat at left, dated Feb. 2, 2005.

Kohler catalog p. 7.31, FRP Integrated Component Showers, showing Devonshire Neo-Angle Shower, K-9455-0/K-1018-0.

Kohler website page showing K-1540, Terracina 4' One-piece Tile-Look Walls Shower Module with Clear Acrylic Grab Bar, Interior Corner Seat at right, dated Feb. 2, 2005.

* cited by examiner

Primary Examiner—Robert A. Delehanty

(74) *Attorney, Agent, or Firm*—Quarles & Brady LLP

(57) **CLAIM**

The ornamental design for a shower enclosure, as shown and described.

DESCRIPTION

In a preferred embodiment, the nature of this product is as a shower enclosure, which is primarily useful for washing humans.

FIG. 1 is a top, left, front perspective view of a shower enclosure embodying my new design;

FIG. 2 is a front elevational view thereof;

FIG. 3 is a left side elevational view thereof, the right side elevational view thereof being a mirror image of the left side shown;

FIG. 4 is a top plan view thereof;

FIG. 5 is a bottom plan view thereof;

FIG. 6 is a rear elevational view thereof;

FIG. 7 is a top, left, front perspective view of a shower enclosure according to another embodiment of my new design;

FIG. 8 is a front elevational view thereof;

FIG. 9 is a left side elevational view thereof, the right side elevational view thereof being a mirror image of the left side shown;

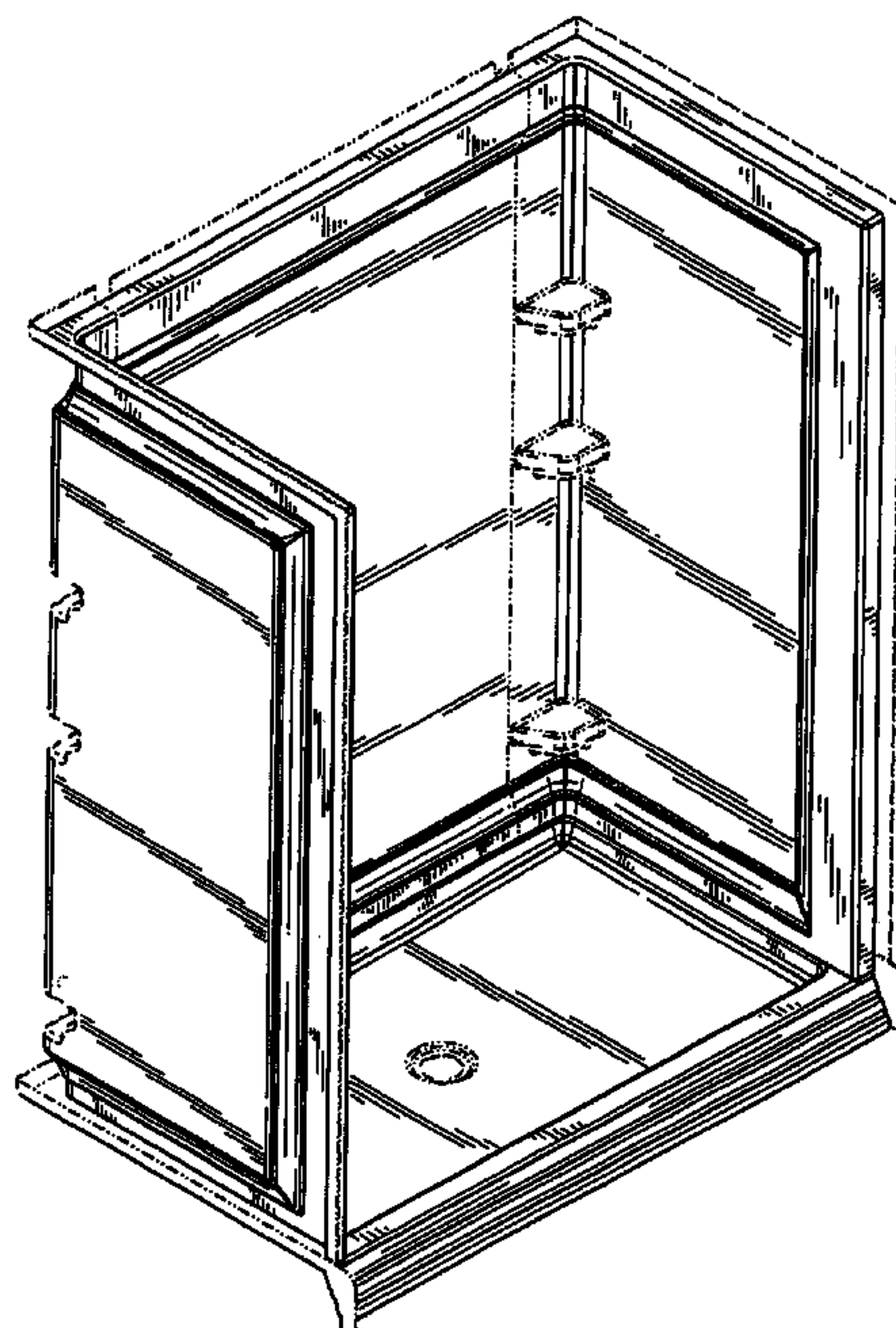
FIG. 10 is a top plan view thereof;

FIG. 11 is a bottom plan view thereof; and,

FIG. 12 is a rear elevational view thereof.

The broken line representations of wall seams, flange structure, a drain and/or shelving in the figures are for the purpose of illustration only, and form no part of the claimed design.

1 Claim, 10 Drawing Sheets



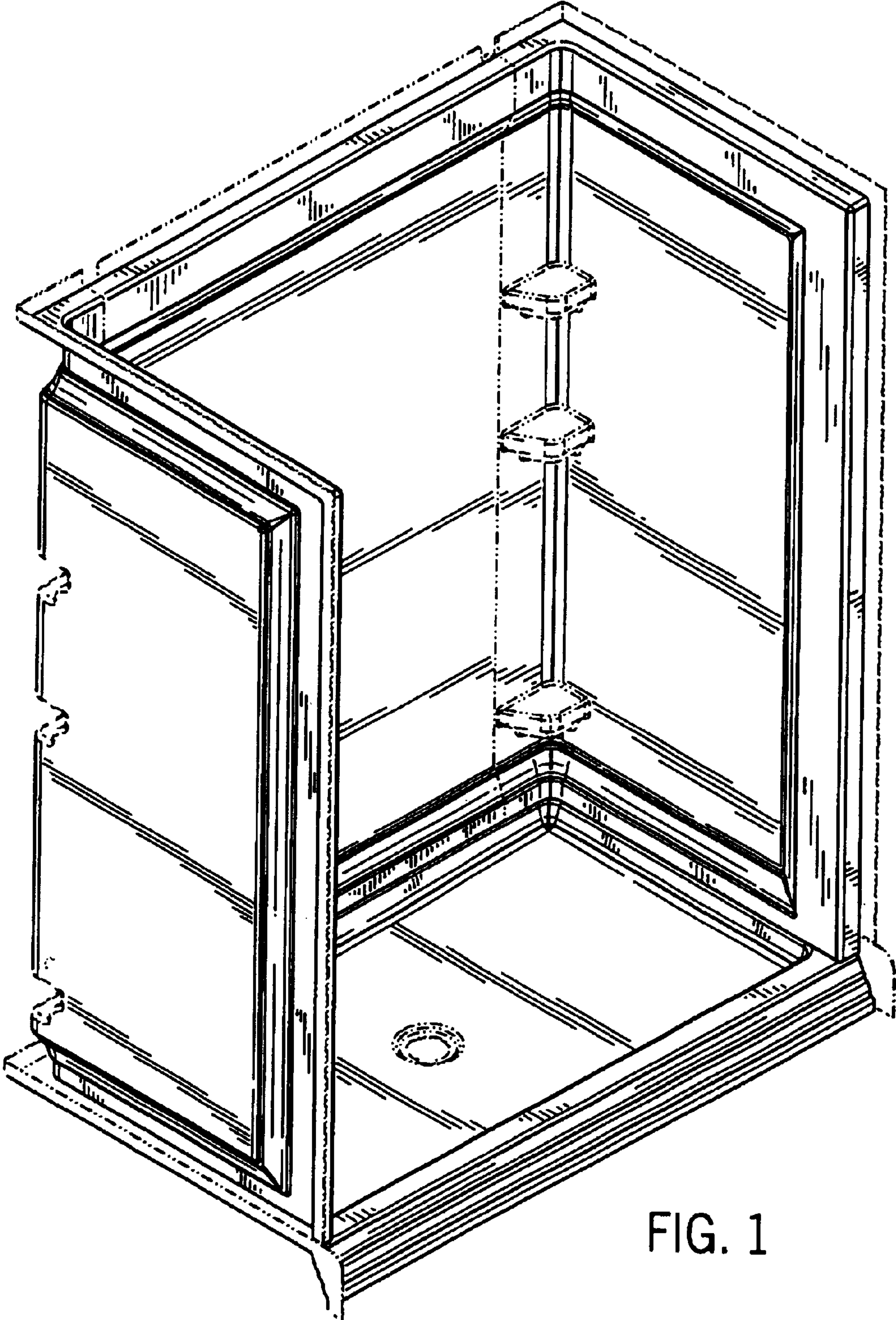


FIG. 1

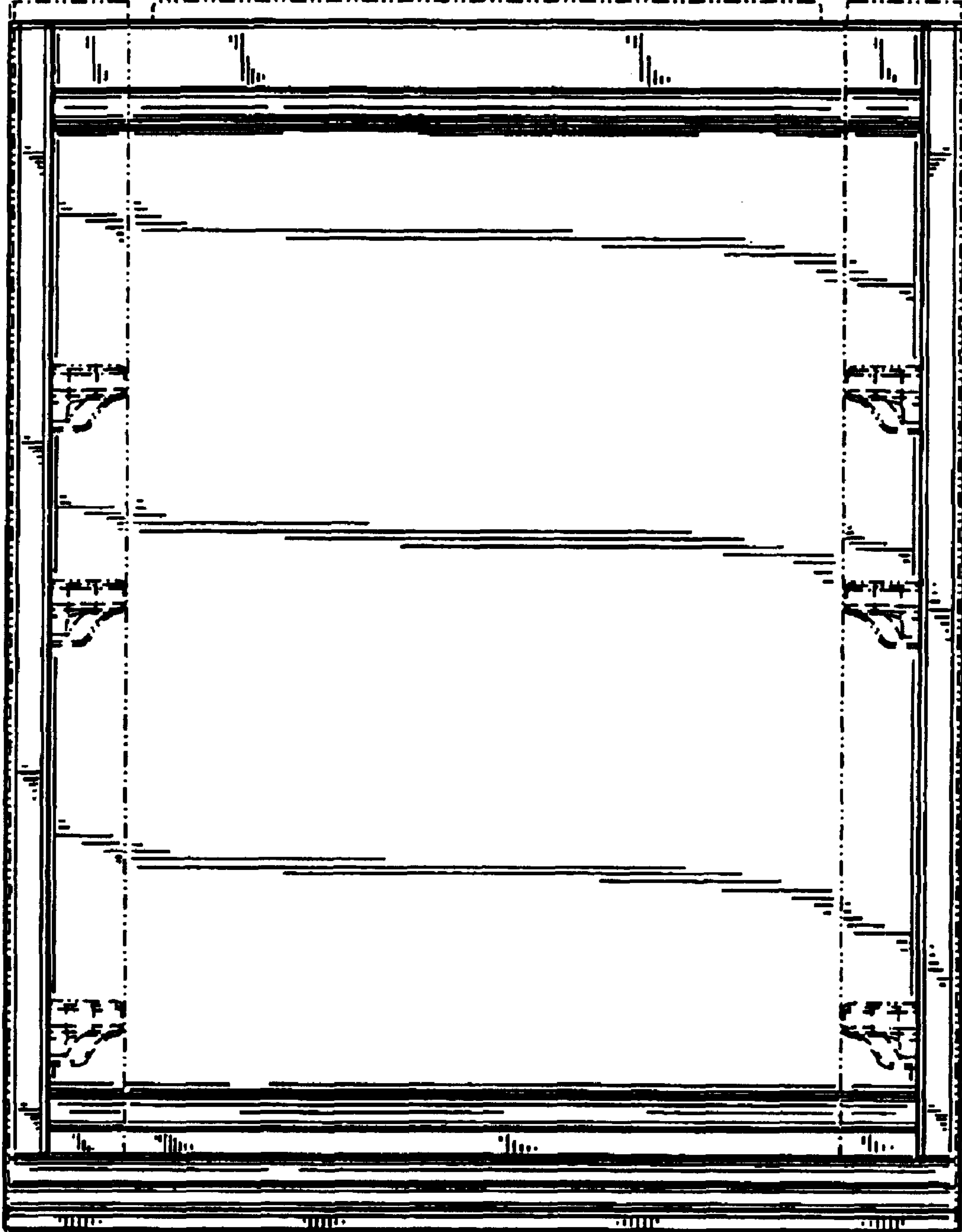


FIG. 2

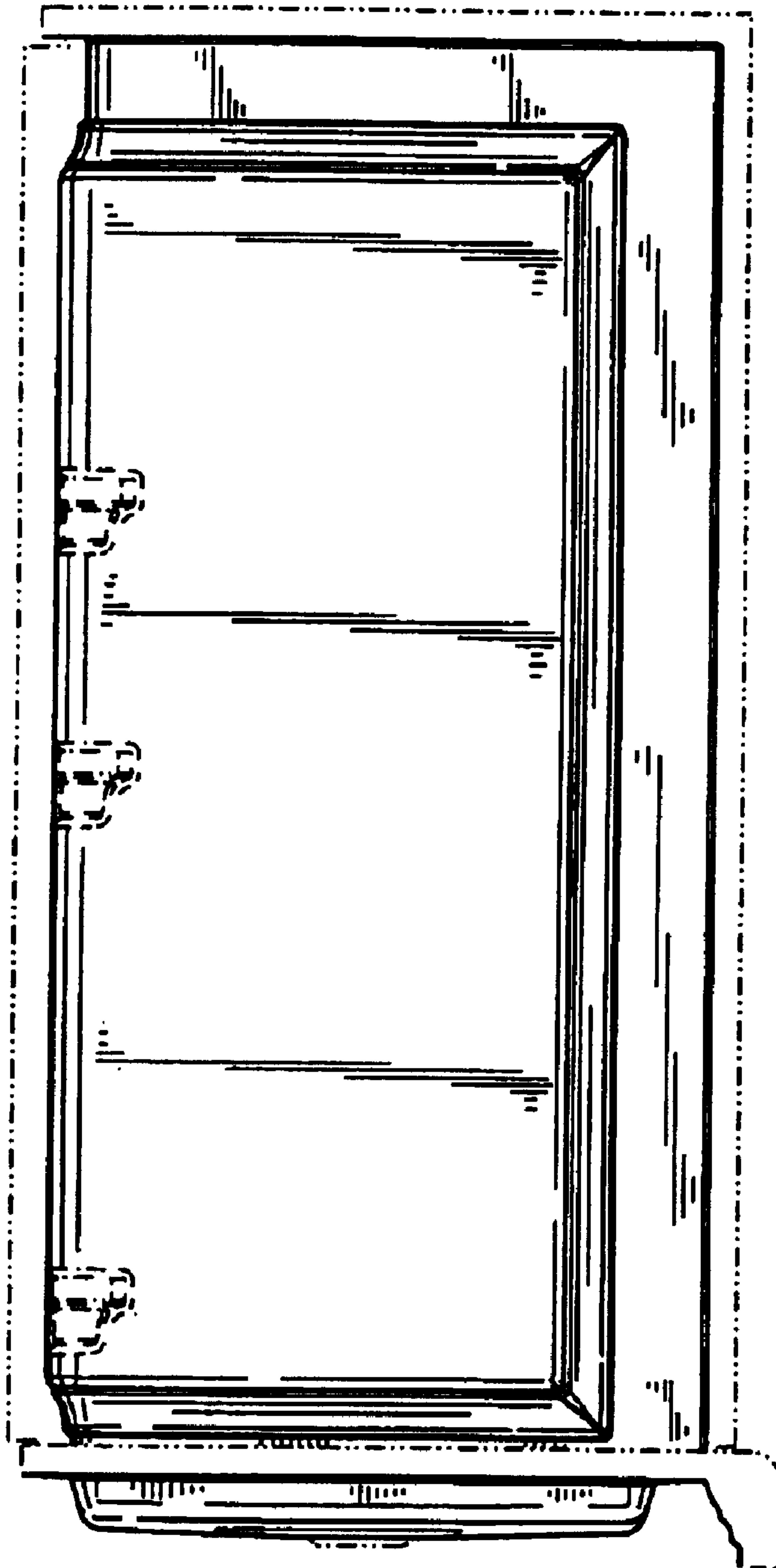


FIG. 3

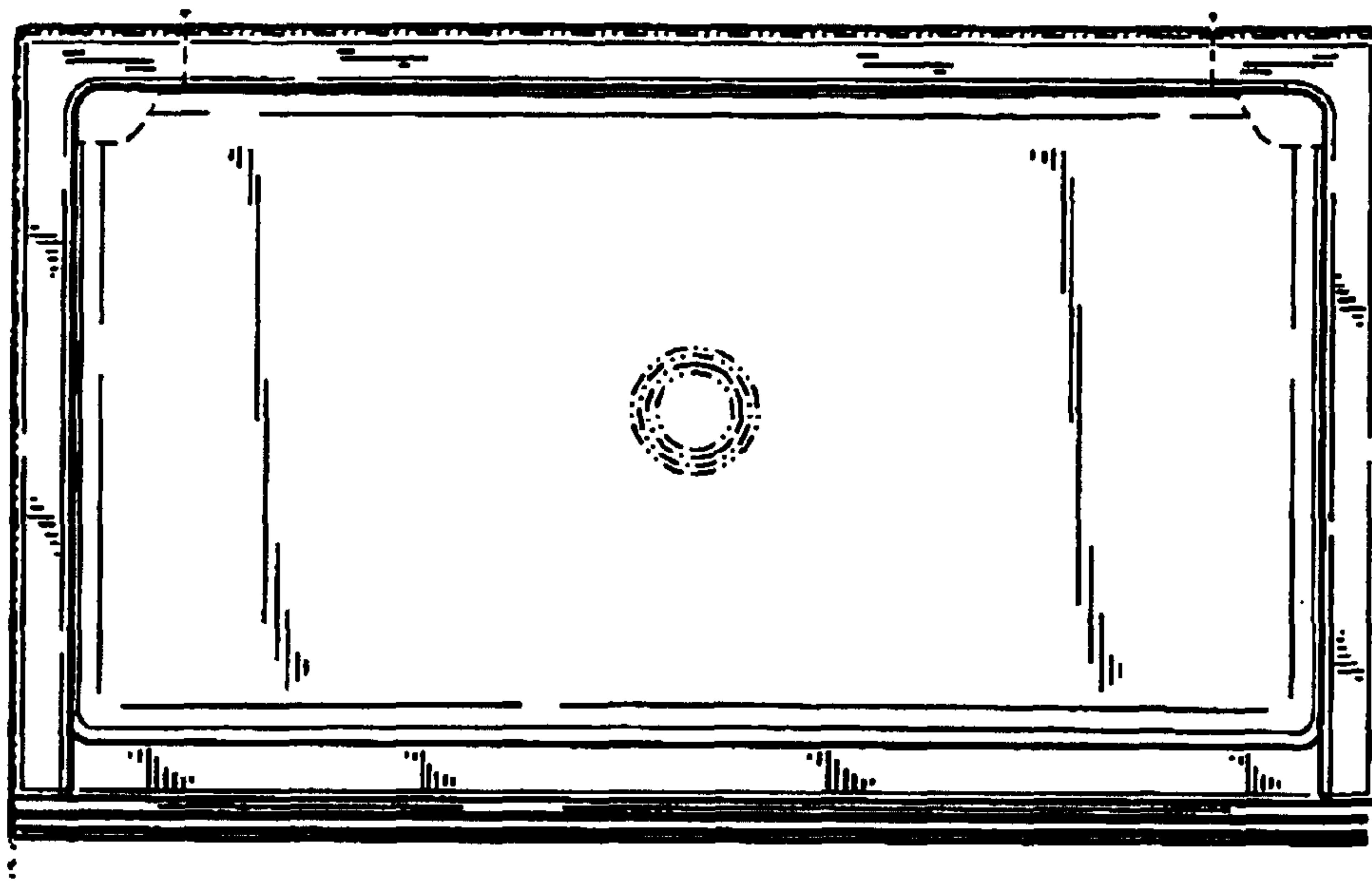


FIG. 4

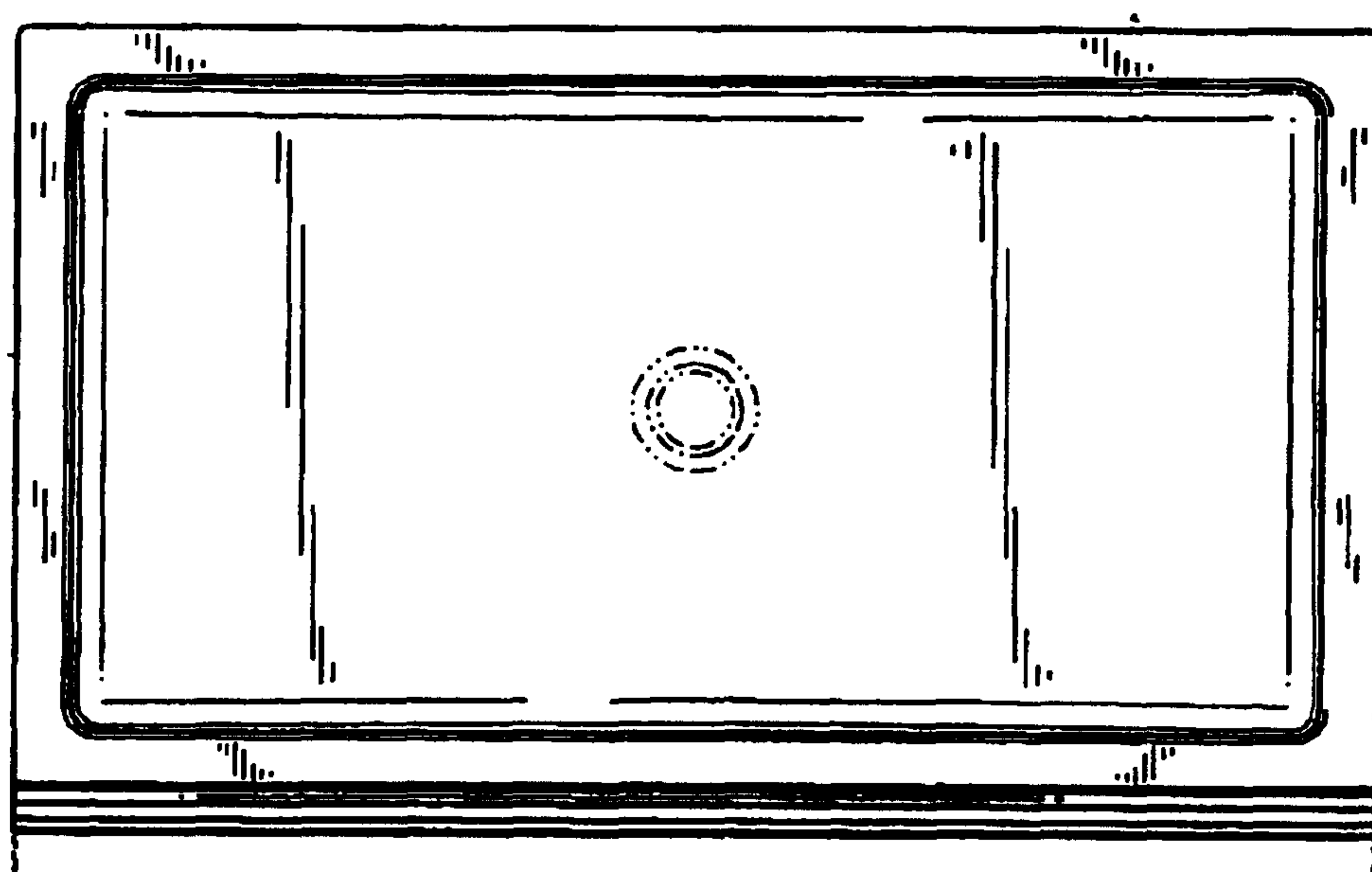


FIG. 5

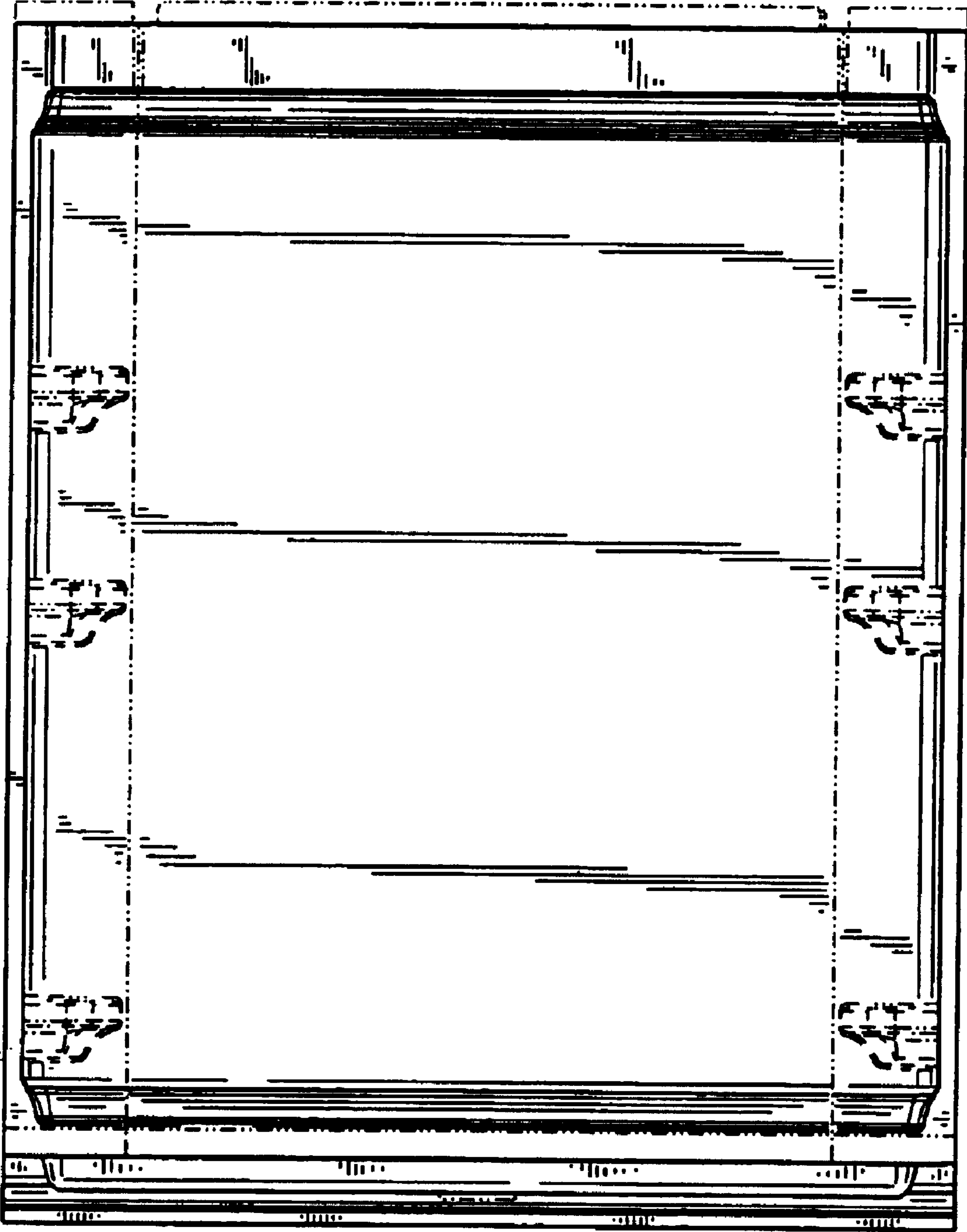


FIG. 6

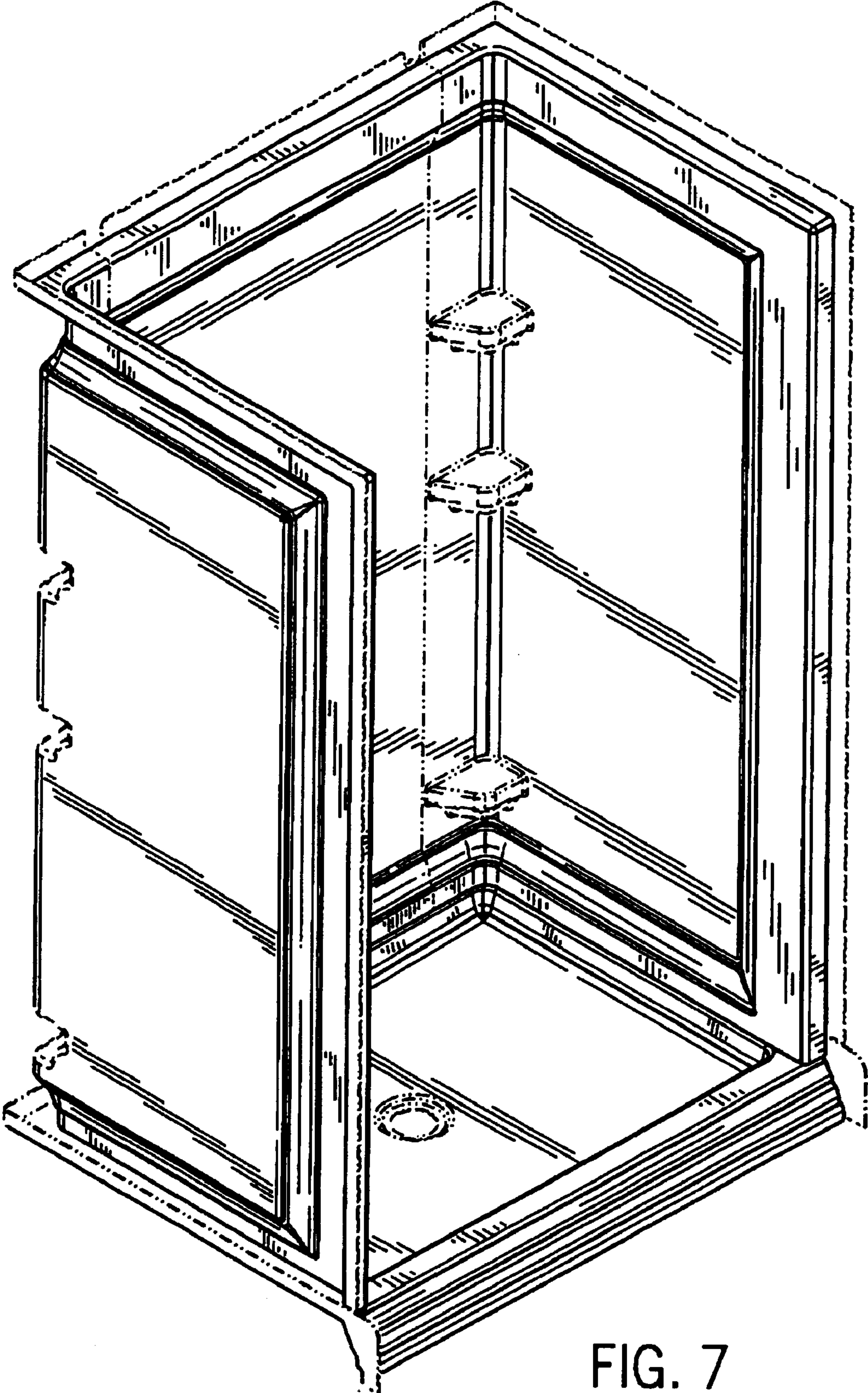


FIG. 7

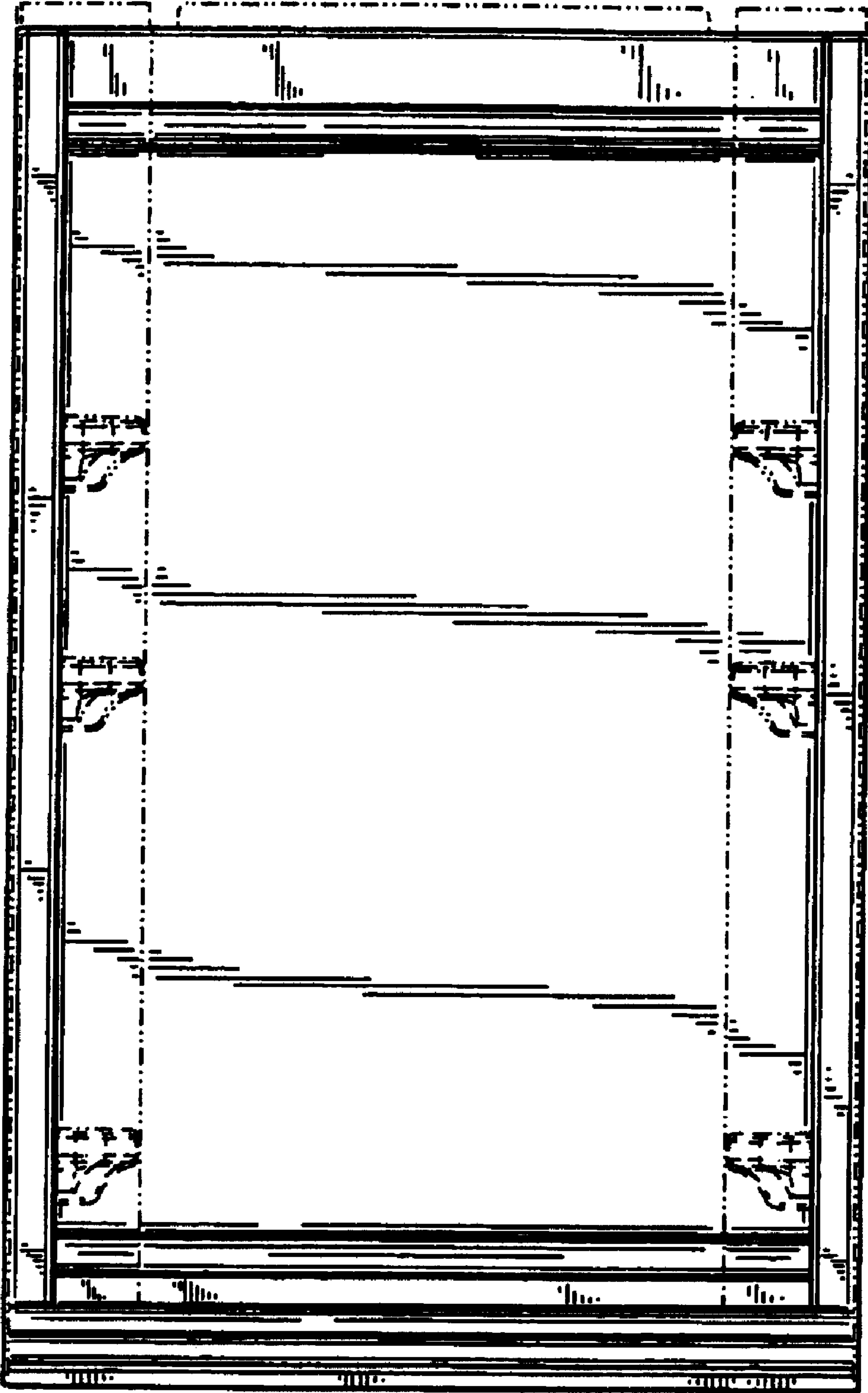


FIG. 8

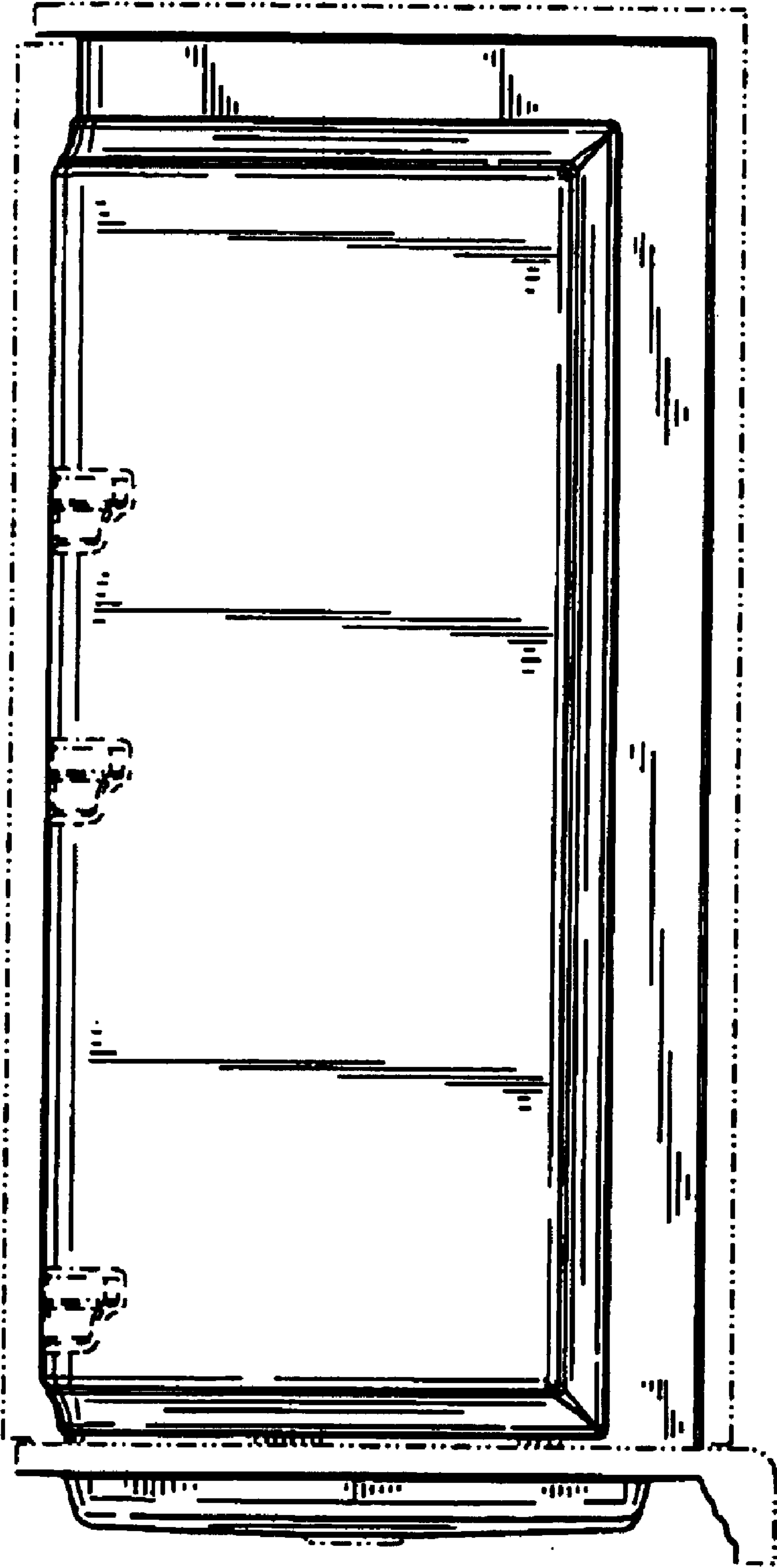


FIG. 9

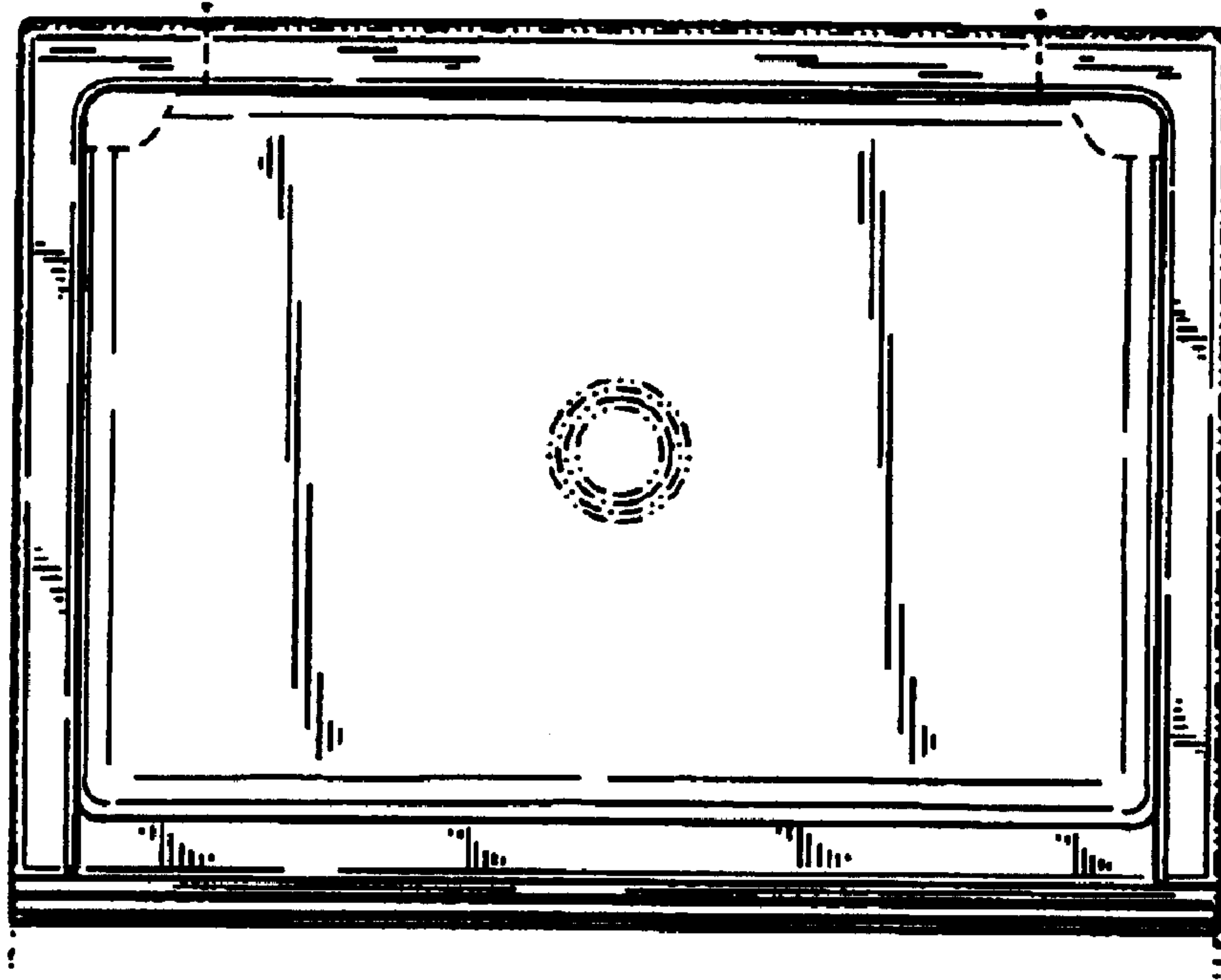


FIG. 10

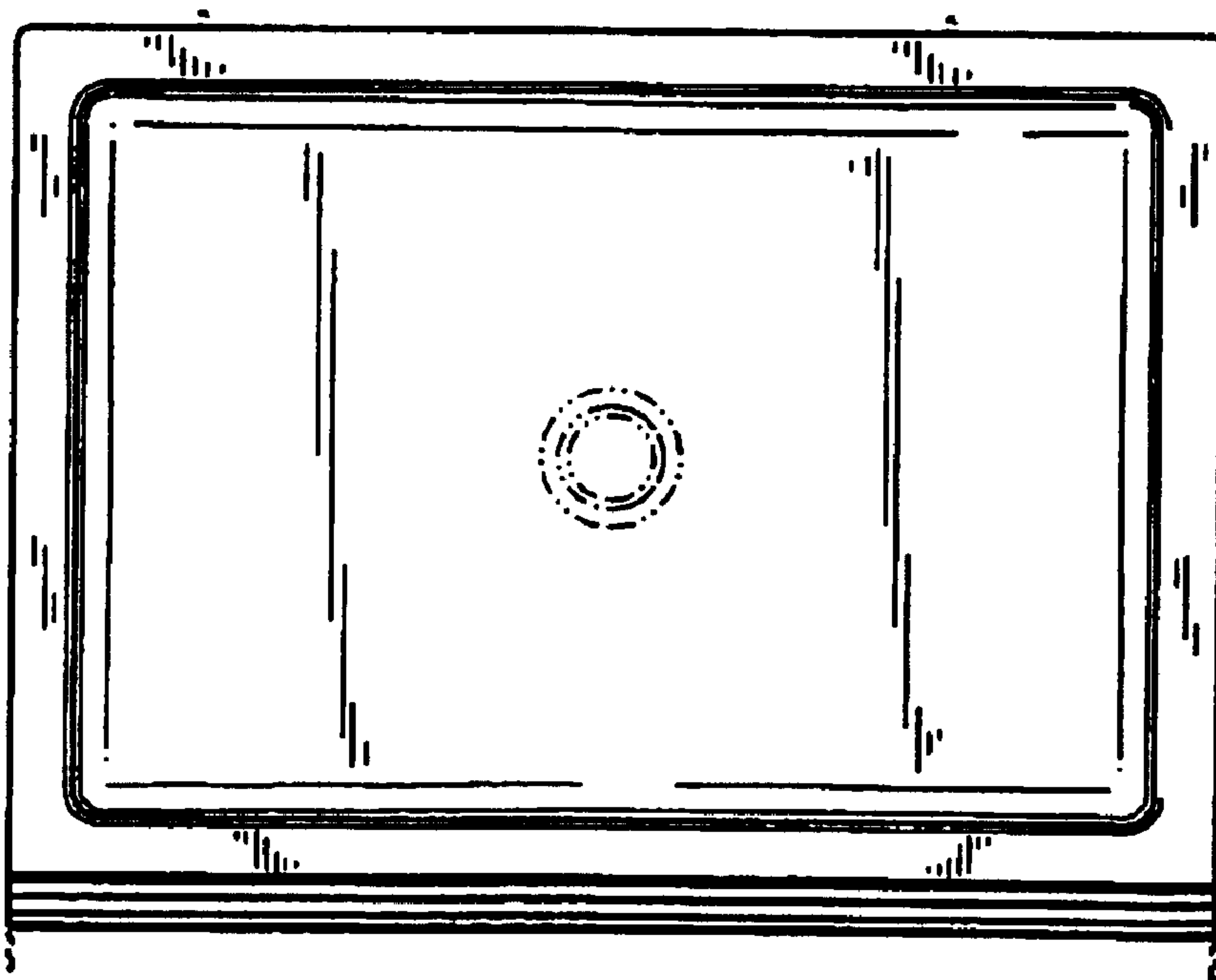


FIG. 11

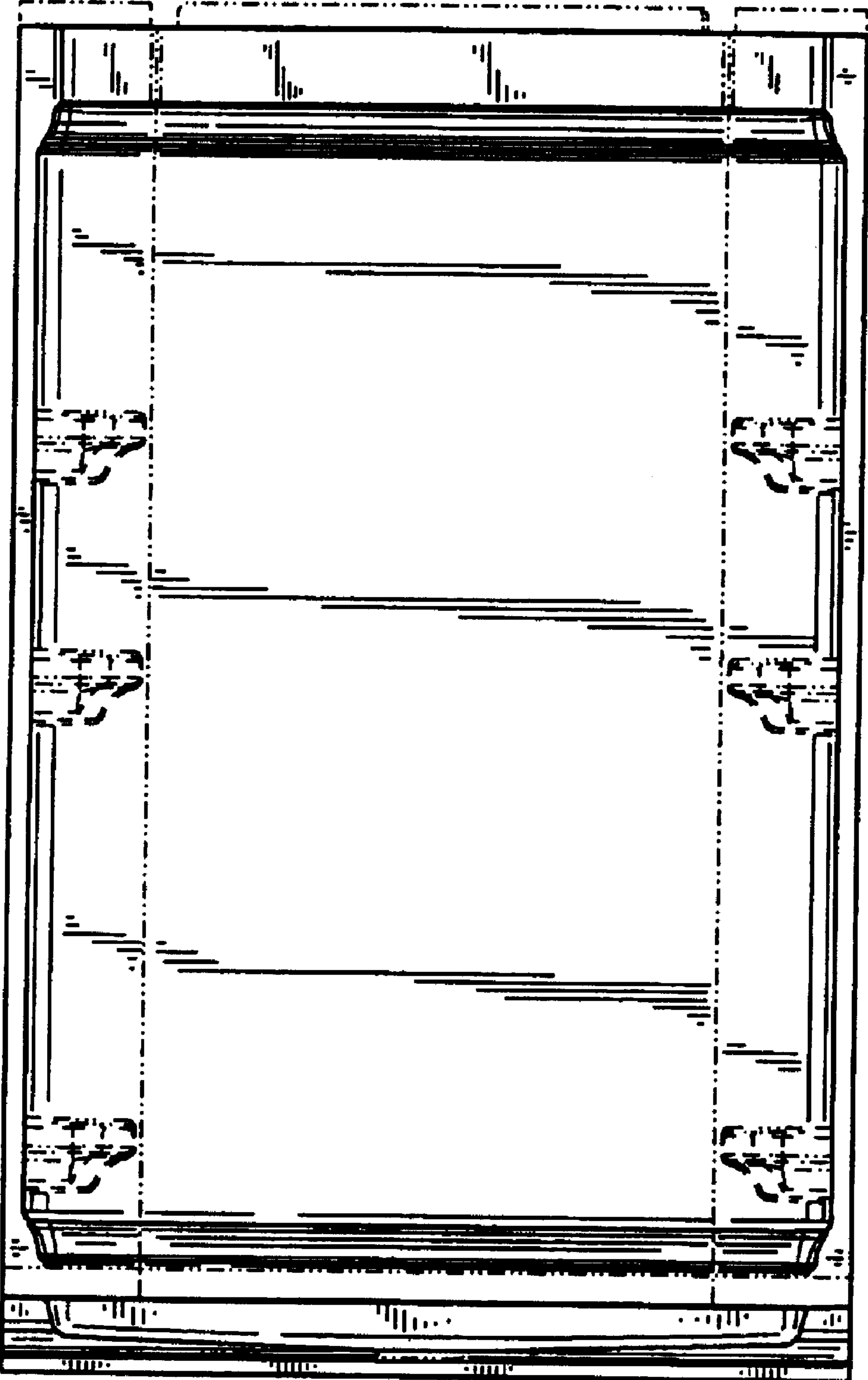


FIG. 12