



US00D531708S

(12) **United States Design Patent**  
**Wagner et al.**

(10) **Patent No.:** **US D531,708 S**  
(45) **Date of Patent:** **\*\* Nov. 7, 2006**

(54) **LOOSEFILL INSULATION HOSE WITH TRIPLE LIPS**

(75) Inventors: **Christophe Wagner**, Lansdale, PA (US); **Edward Pentz**, Boyertown, PA (US)

(73) Assignee: **CertainTeed Corporation**, Valley Forge, PA (US)

(\*\*) Term: **14 Years**

(21) Appl. No.: **29/230,608**

(22) Filed: **May 24, 2005**

(51) **LOC (8) Cl.** ..... **23-01**

(52) **U.S. Cl.** ..... **D23/266**

(58) **Field of Classification Search** ..... D23/266, D23/393; 156/143; 138/37, 39, 129, 121-2  
See application file for complete search history.

(56) **References Cited**

**U.S. PATENT DOCUMENTS**

D296,356 S \* 6/1988 Kanao ..... D23/266

4,890,864 A \* 1/1990 Anderson et al. .... 285/126.1  
4,903,736 A \* 2/1990 Baston et al. .... 138/154  
D307,174 S \* 4/1990 Bjorkman et al. .... D23/266  
D400,670 S \* 11/1998 Sorkin ..... D23/393  
6,336,474 B1 \* 1/2002 Kelley et al. .... 138/129  
6,488,053 B1 \* 12/2002 Tadokoro ..... 138/156  
6,679,296 B1 \* 1/2004 Gibson ..... 138/131  
6,719,864 B1 4/2004 Kelley et al.

\* cited by examiner

*Primary Examiner*—Robin Webster

(74) *Attorney, Agent, or Firm*—Duane Morris, LLP

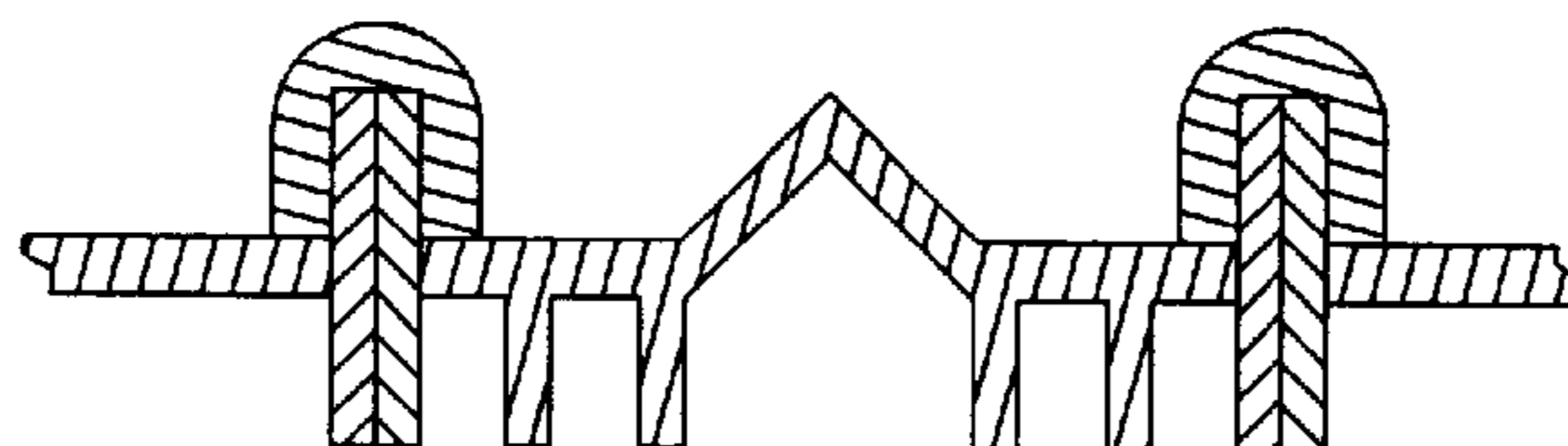
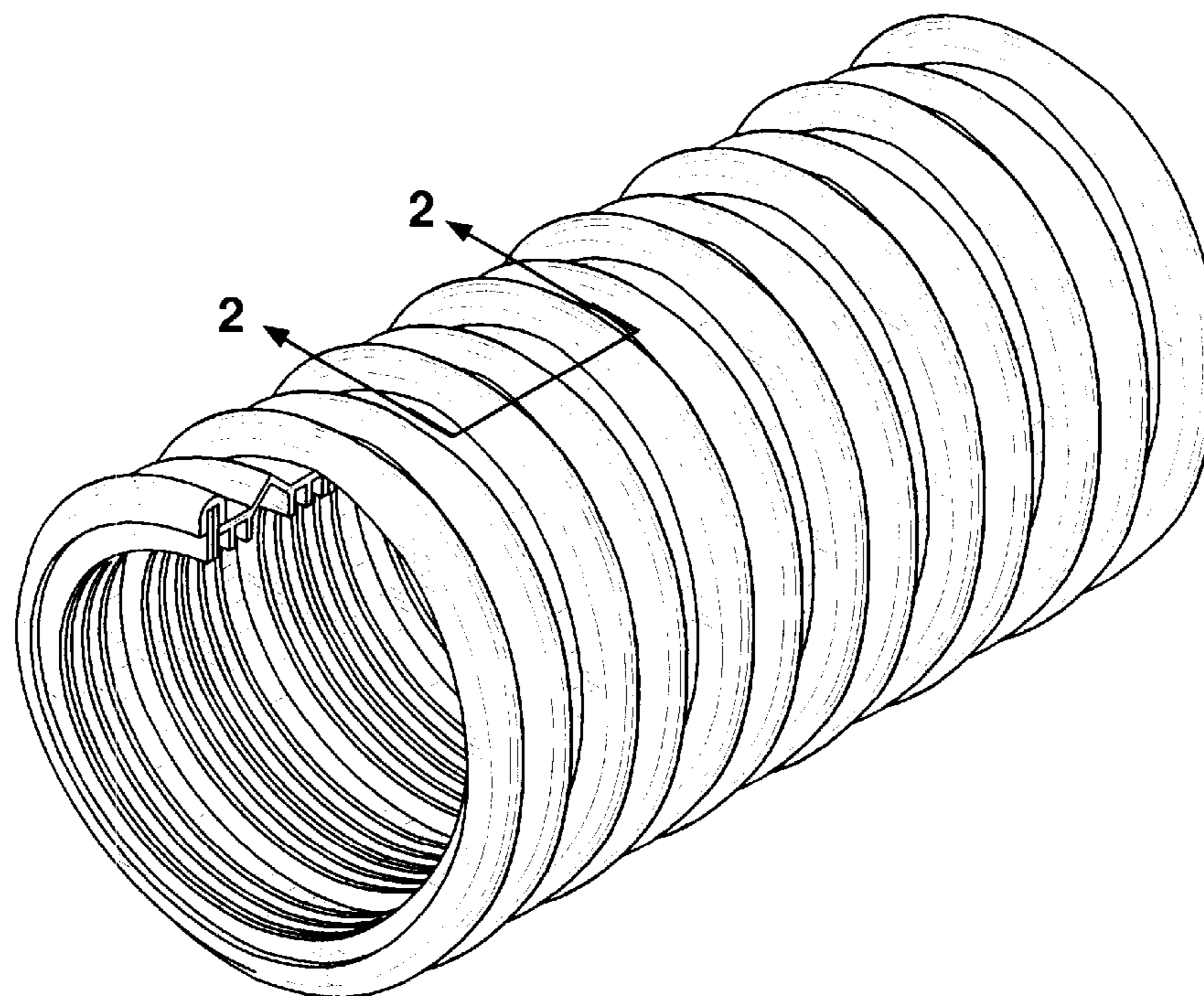
(57) **CLAIM**

The ornamental design for a loosefill insulation hose with triple lips, as shown and described.

**DESCRIPTION**

FIG. 1 is a front perspective view of the loosefill insulation hose with triple lips with portion of the hose cut away; and, FIG. 2 is an enlarged view of the loosefill insulation hose with triple lips taken through line 2—2 of FIG. 1.

**1 Claim, 1 Drawing Sheet**



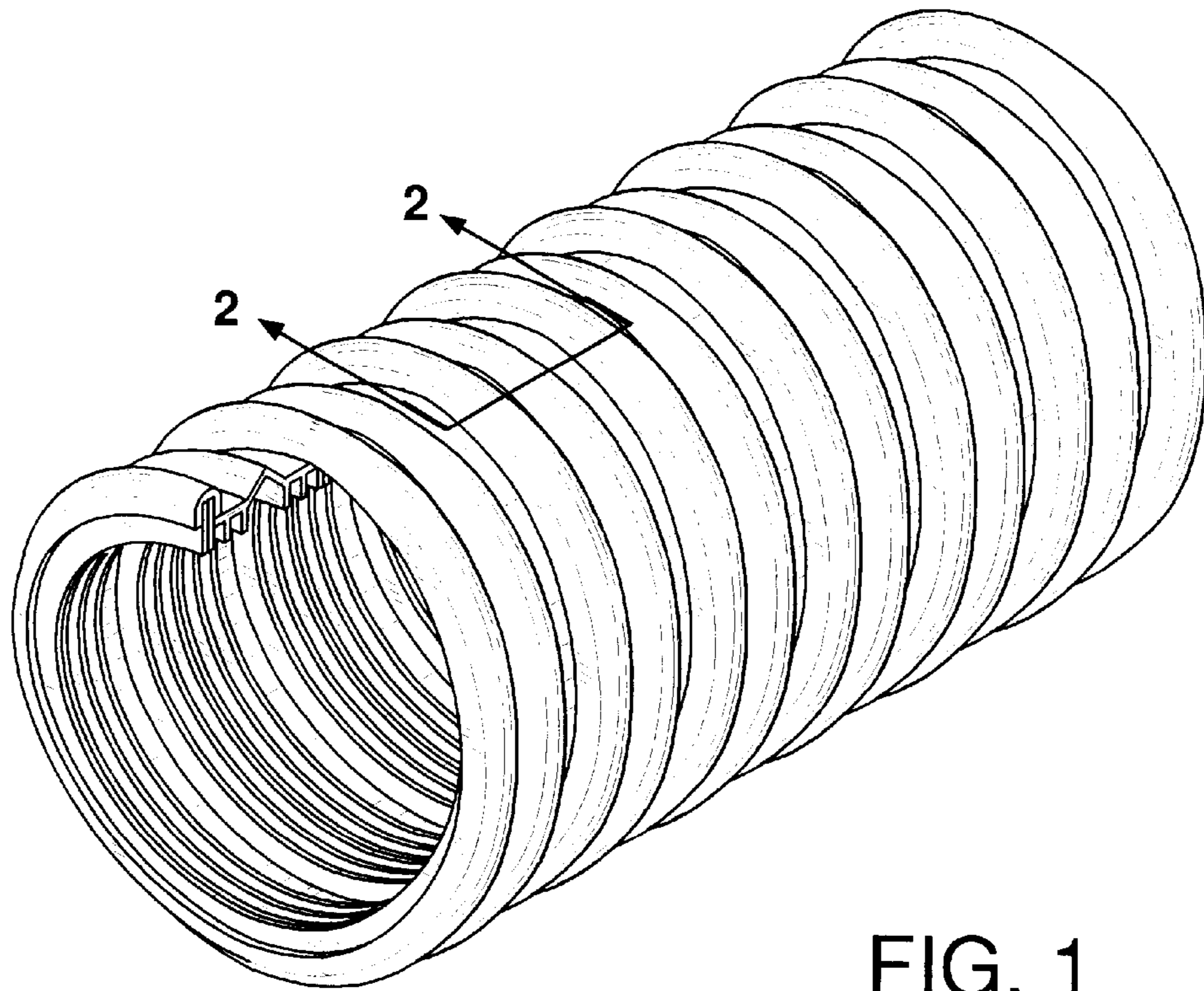


FIG. 1

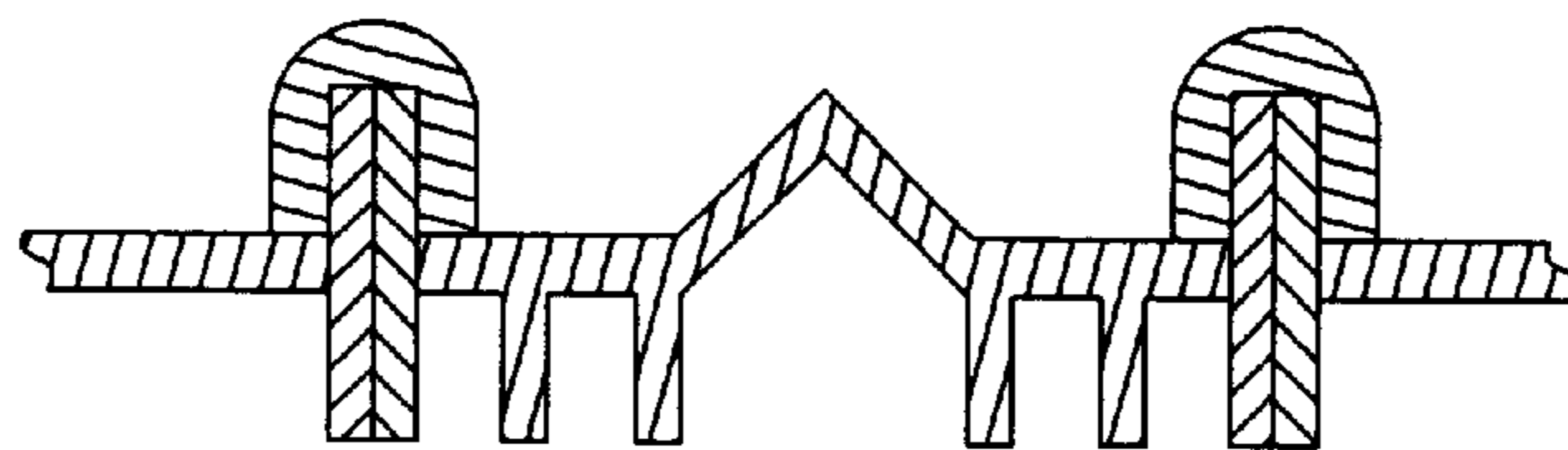


FIG. 2