

US00D531706S

(12) **United States Design Patent**
Wagner et al.

(10) **Patent No.:** **US D531,706 S**
(45) **Date of Patent:** **** Nov. 7, 2006**

(54) **LOOSEFILL INSULATION HOSE WITH DIFFERENT SIZED LIPS**

(75) Inventors: **Christophe Wagner**, Lansdale, PA (US); **Edward Pentz**, Boyertown, PA (US)

(73) Assignee: **CertainTeed Corporation**, Valley Forge, PA (US)

(**) Term: **14 Years**

(21) Appl. No.: **29/230,576**

(22) Filed: **May 24, 2005**

(51) **LOC (8) Cl.** **23-01**

(52) **U.S. Cl.** **D23/266**

(58) **Field of Classification Search** D23/266, D23/393; 156/143; 138/37, 39, 129, 121-2
See application file for complete search history.

(56) **References Cited**

U.S. PATENT DOCUMENTS

D296,356 S * 6/1988 Kanao D23/266

4,890,864 A * 1/1990 Anderson et al. 285/126.1
4,903,736 A * 2/1990 Baston et al. 138/154
D307,174 S * 4/1990 Bjorkman et al. D23/266
D400,670 S * 11/1998 Sorkin D23/393
6,336,474 B1 * 1/2002 Kelley et al. 138/129
6,488,053 B1 * 12/2002 Tadokoro 138/156
6,679,296 B1 * 1/2004 Gibson 138/131
6,719,864 B1 4/2004 Kelley et al.

* cited by examiner

Primary Examiner—Robin Webster

(74) *Attorney, Agent, or Firm*—Duane Morris LLP

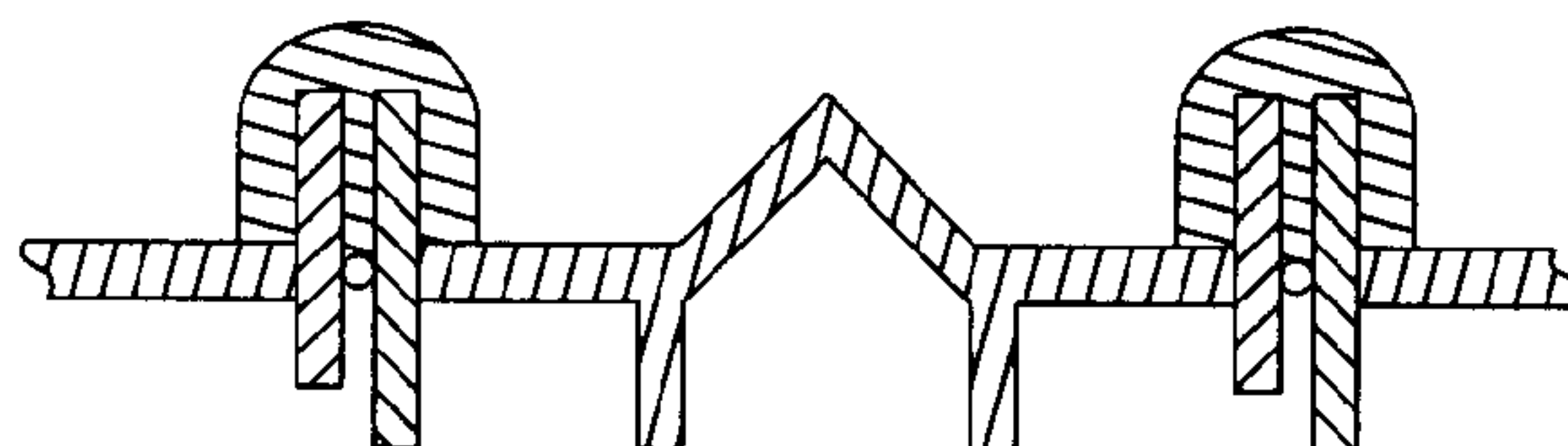
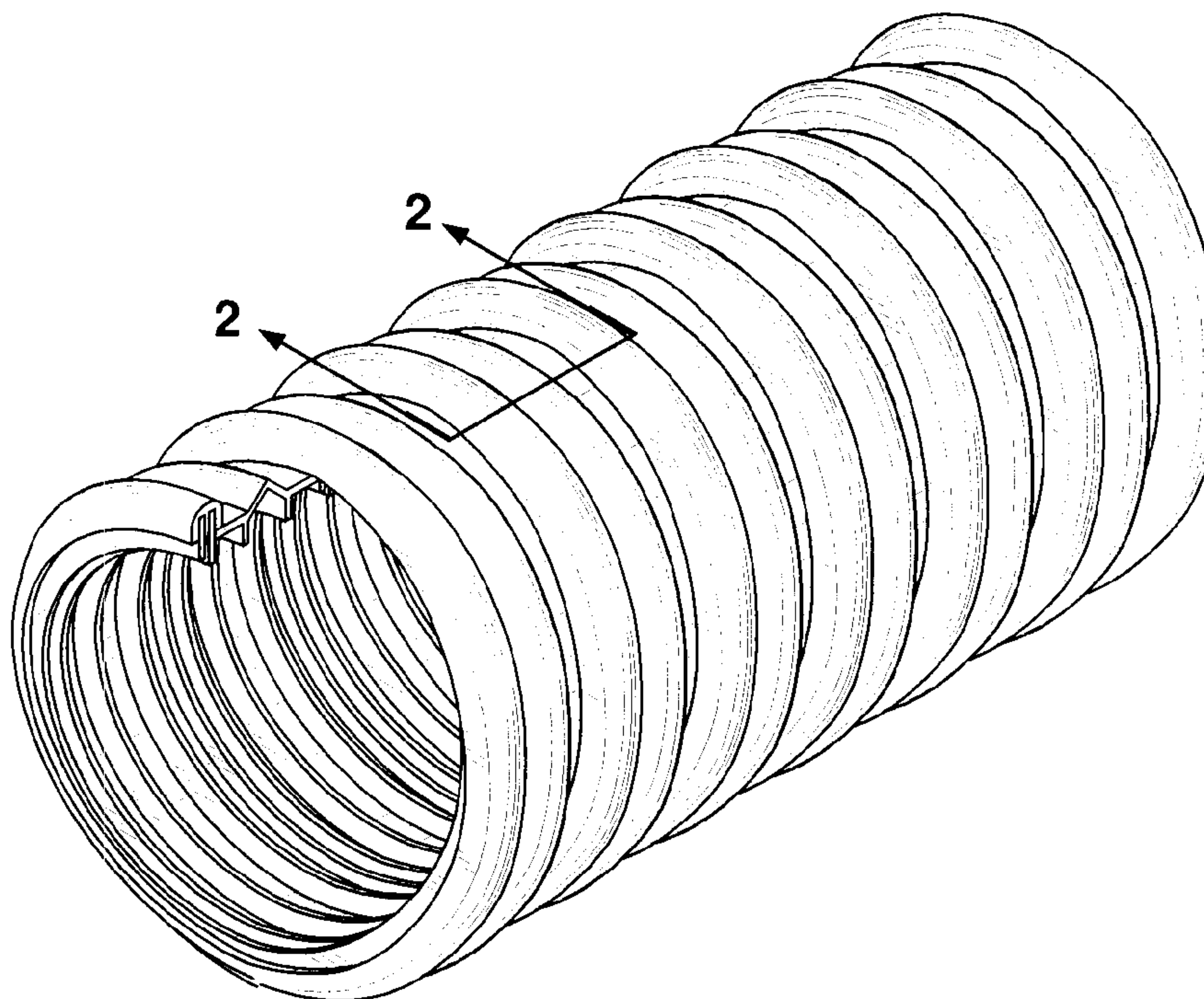
(57) **CLAIM**

The ornamental design for a loosefill insulation hose with different sized lips, as shown and described.

DESCRIPTION

FIG. 1 is a front perspective view of the loosefill insulation hose with different sized lips with portion of the hose cut away; and, FIG. 2 is an enlarged view of the loosefill insulation hose with different sized lips taken through line 2—2 of FIG. 1.

1 Claim, 1 Drawing Sheet



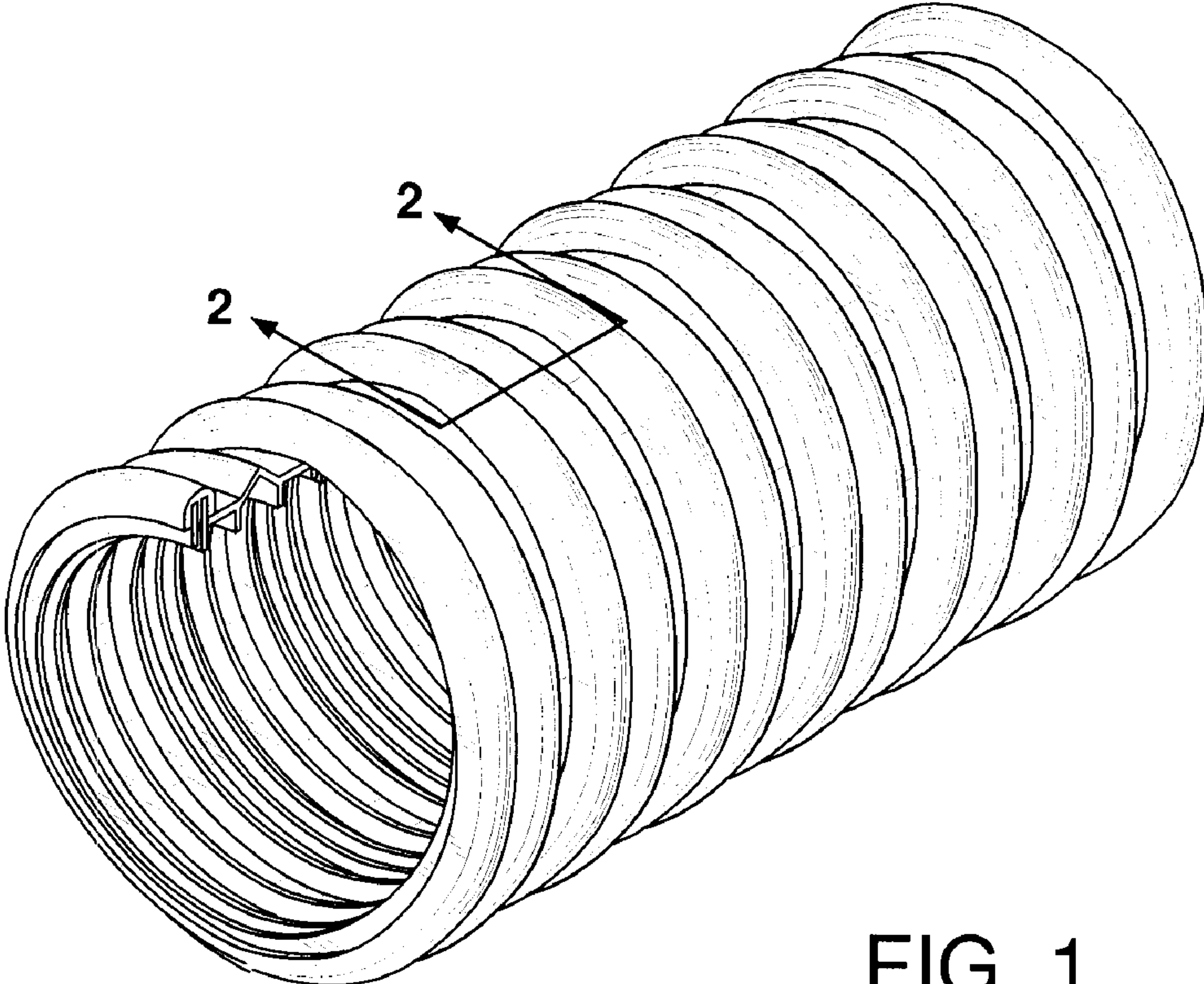


FIG. 1

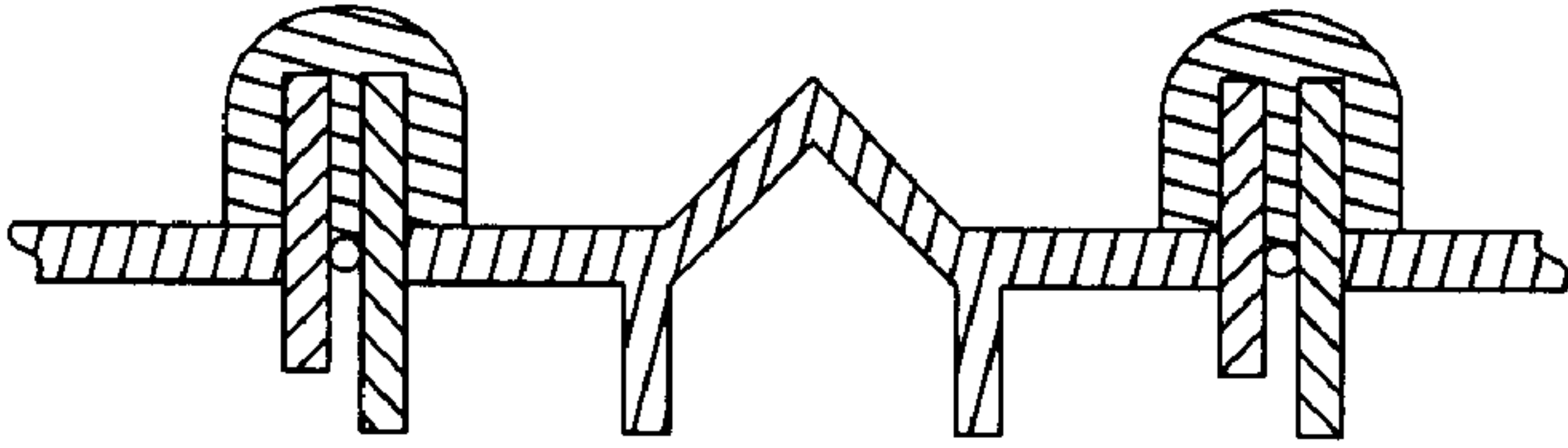


FIG. 2