



US00D531702S

(12) **United States Design Patent**
Haug et al.

(10) **Patent No.:** **US D531,702 S**

(45) **Date of Patent:** **** Nov. 7, 2006**

(54) **FAUCET HANDLE**

D487,586 S * 3/2004 Haug et al. D23/252
D516,677 S * 3/2006 Haug et al. D23/242

(75) Inventors: **Andreas Haug**, Stuttgart (DE); **Tom Schonherr**, Stuttgart (DE); **Andreas Dimitriadis**, Lorch (DE); **Johann Duck**, Stuttgart (DE)

* cited by examiner

Primary Examiner—Louis S. Zarfes
Assistant Examiner—Gregory Andoll

(73) Assignee: **Hansgrohe AG** (DE)

(74) *Attorney, Agent, or Firm*—Kwadjo Adusei-Poku; Lloyd D. Doigan

(**) Term: **14 Years**

(21) Appl. No.: **29/232,731**

(22) Filed: **Jun. 23, 2005**

(57) **CLAIM**

The ornamental design for a faucet handle, as shown and described.

(30) **Foreign Application Priority Data**

Dec. 23, 2004 (EM) 000273586-0005

DESCRIPTION

(51) **LOC (8) Cl.** **23-01**

(52) **U.S. Cl.** **D23/252**

(58) **Field of Classification Search** D23/238–257;
D8/250–257, 300–322, DIG. 3; 16/110.1;
4/675–678; 137/801

FIG. 1 is a front perspective view of a faucet handle showing our design;

FIG. 2 is a top plan view thereof;

FIG. 3 is a front elevational view thereof;

FIG. 4 is a left side elevational view thereof; the right side elevation view being a mirror image thereof; and,

FIG. 5 is a rear elevational view thereof.

See application file for complete search history.

The broken lines in the Figures are for illustrative purposes only and form no part of the claimed design.

(56) **References Cited**

U.S. PATENT DOCUMENTS

D462,421 S * 9/2002 Hundley D23/252

1 Claim, 1 Drawing Sheet

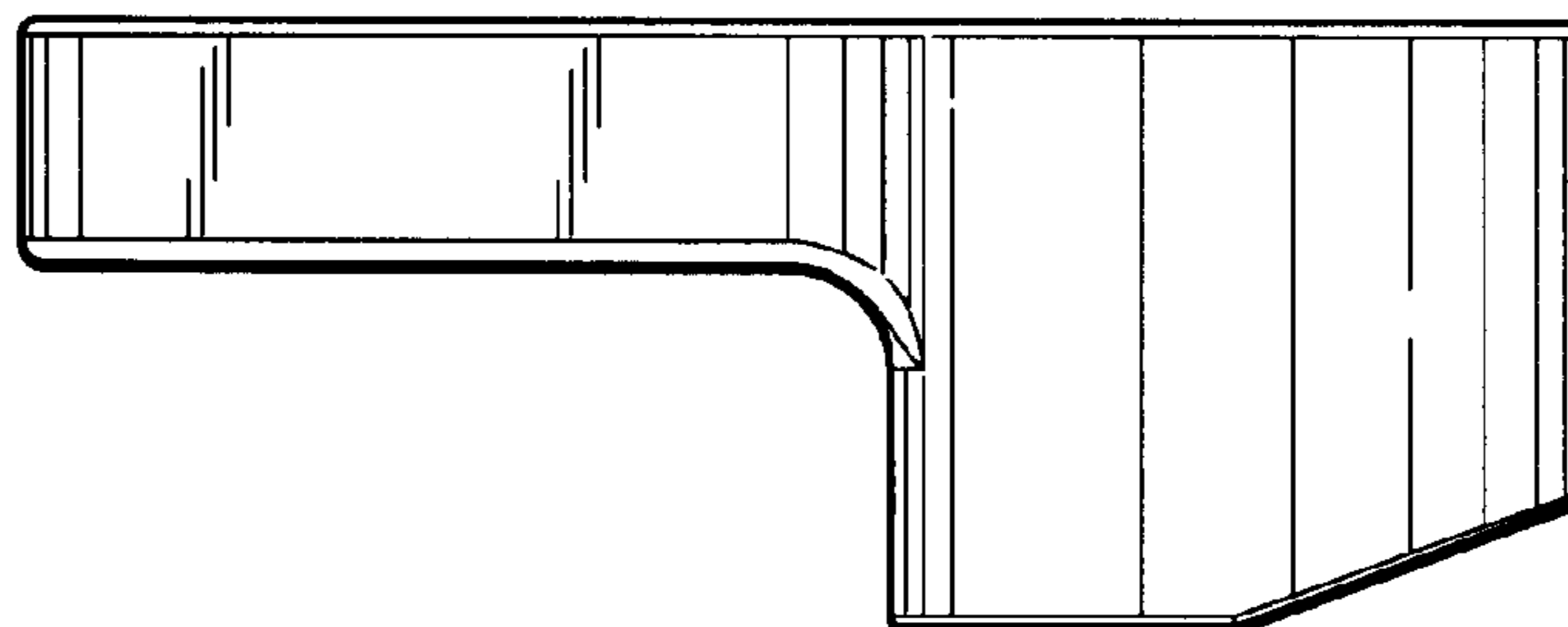
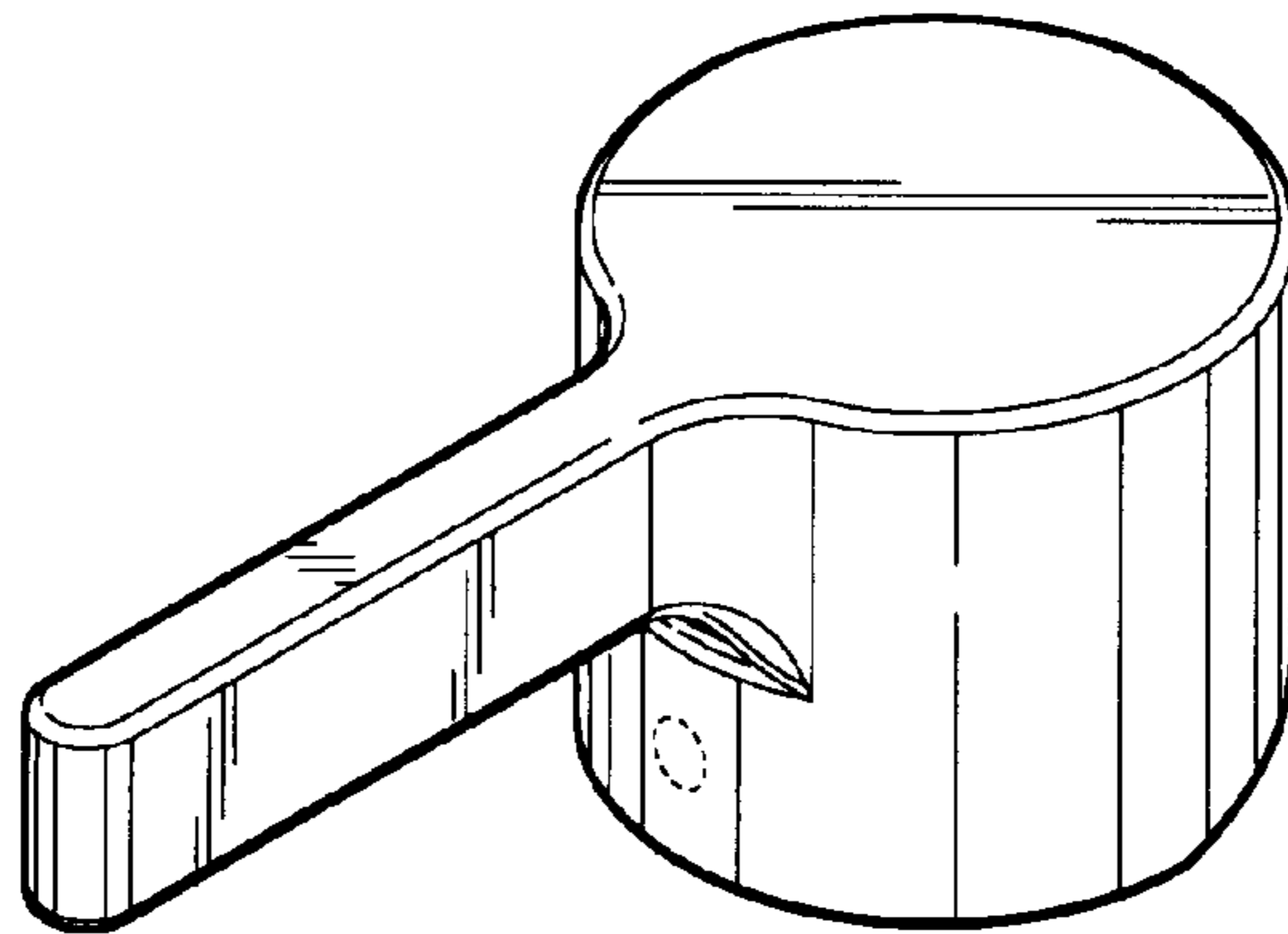


FIG. 1

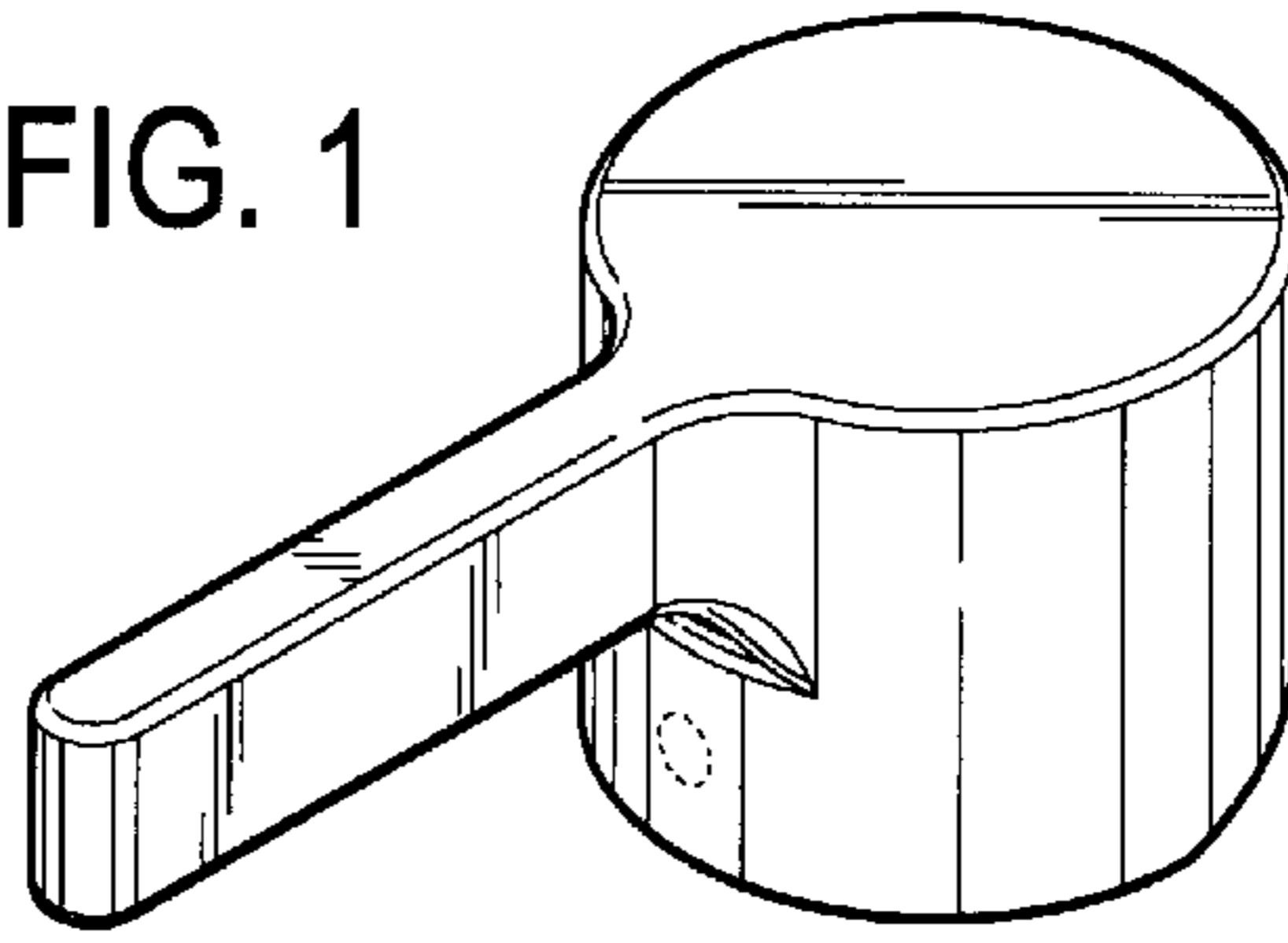


FIG. 2

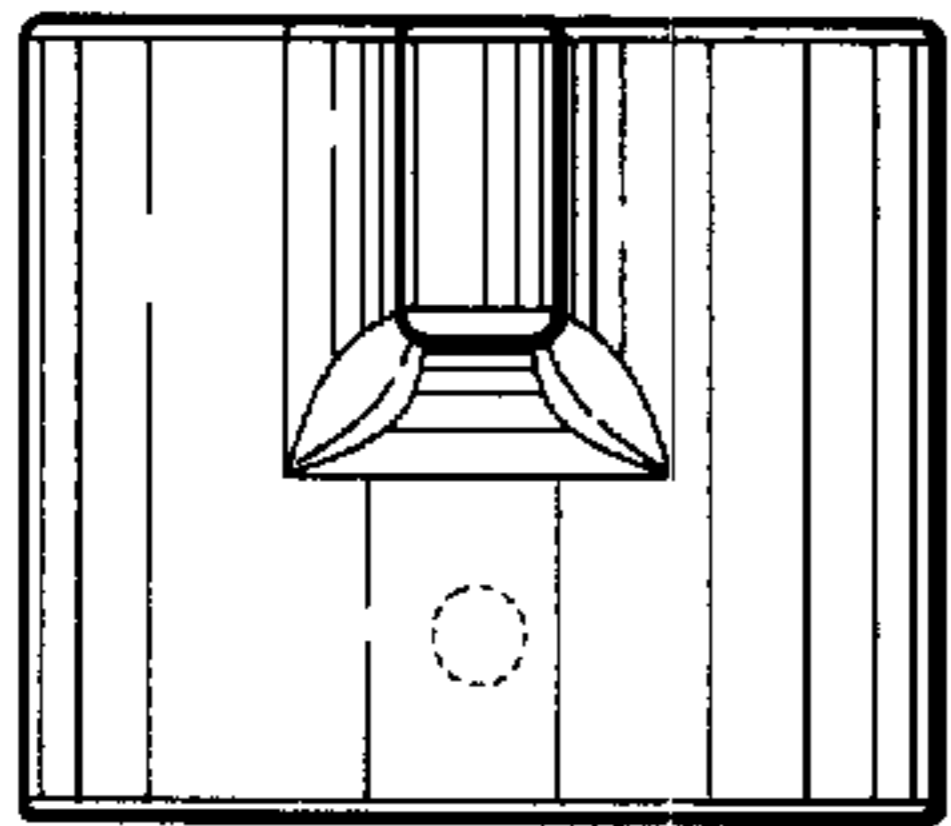
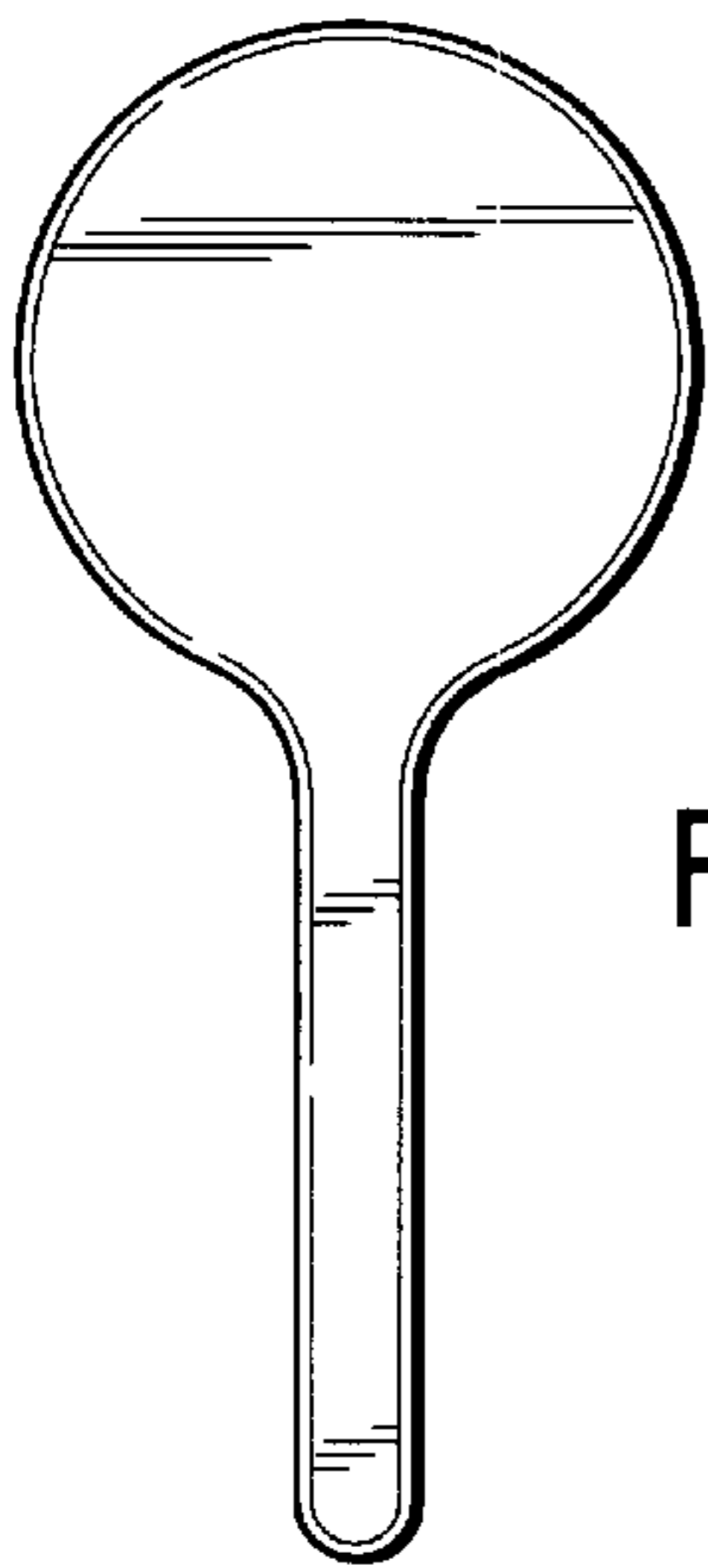


FIG. 3

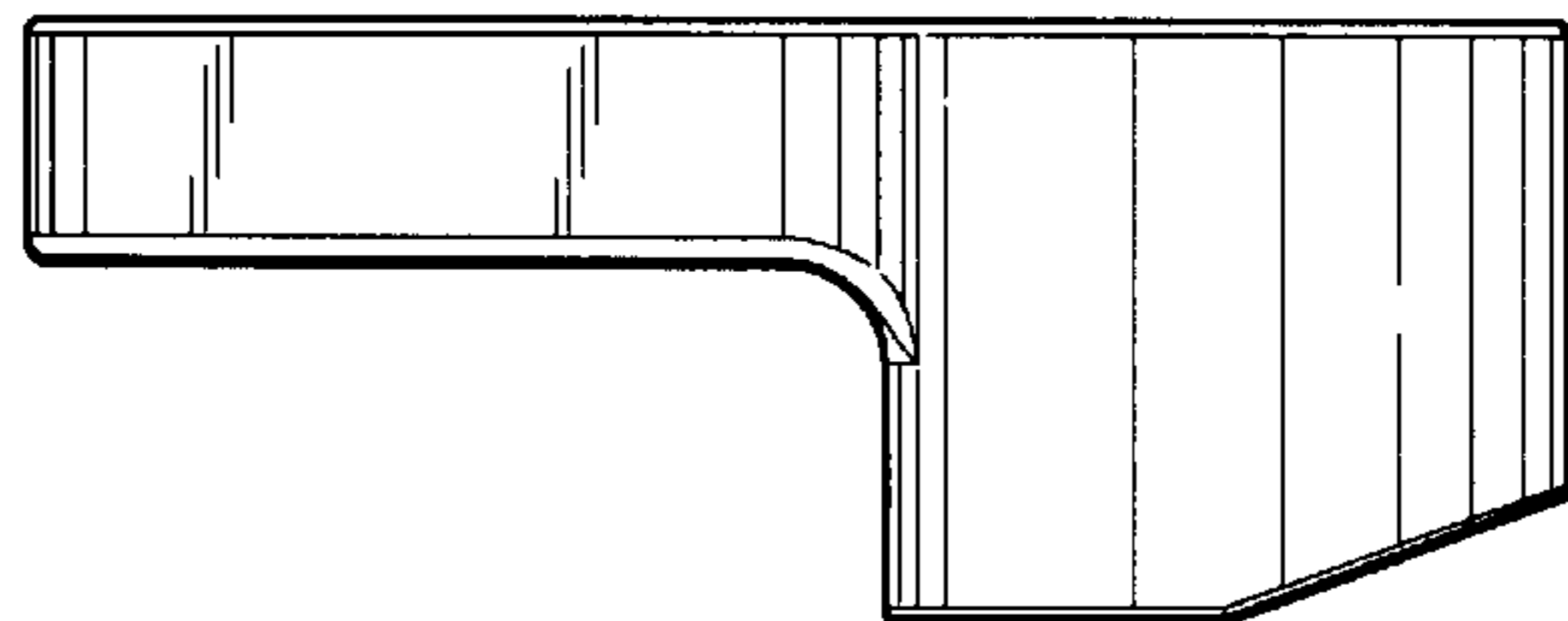


FIG. 4

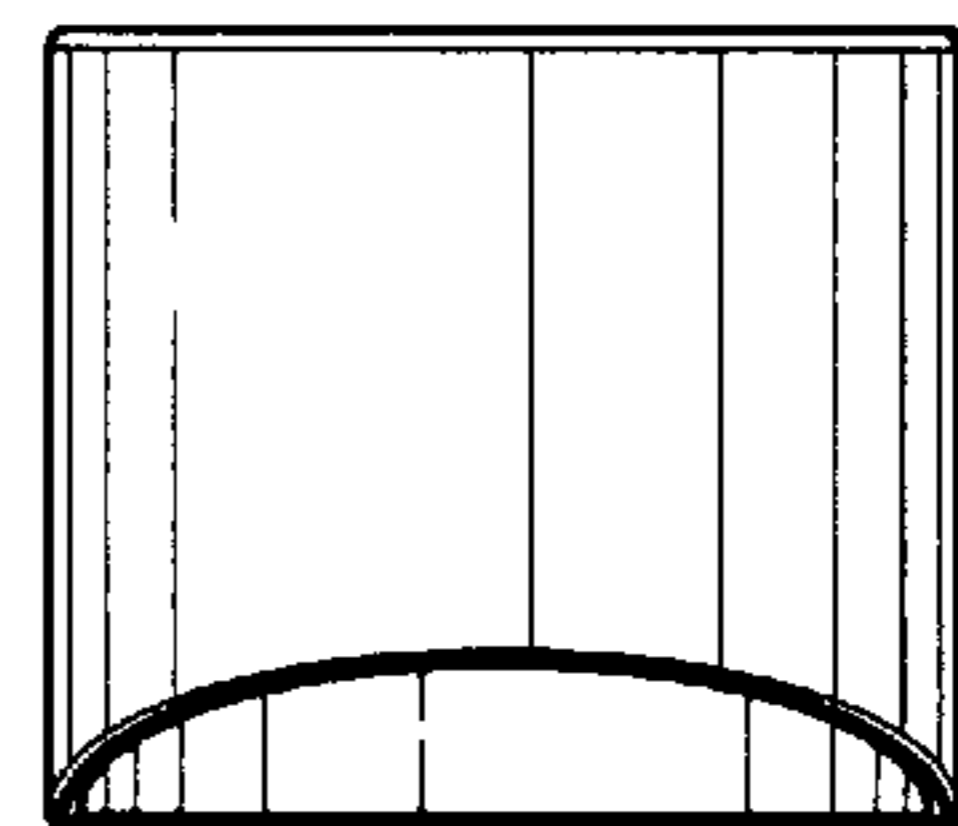


FIG. 5