



US00D531699S

(12) **United States Design Patent**
Haug et al.

(10) **Patent No.:** **US D531,699 S**

(45) **Date of Patent:** **** Nov. 7, 2006**

(54) **FAUCET**

(75) Inventors: **Andreas Haug**, Stuttgart (DE);
Andreas Dimitriadis, Lorch (DE); **Tom Schonherr**, Stuttgart (DE); **Fabian Kollmann**, Stuttgart (DE)

(73) Assignee: **Hansgrohe AG** (DE)

(**) Term: **14 Years**

(21) Appl. No.: **29/235,658**

(22) Filed: **Aug. 4, 2005**

(30) **Foreign Application Priority Data**

Mar. 14, 2005 (EM) 000309596-0001

(51) **LOC (8) Cl.** **23-01**

(52) **U.S. Cl.** **D23/238**

(58) **Field of Classification Search** D23/238-257;
4/675-678; 137/801

See application file for complete search history.

(56) **References Cited**

U.S. PATENT DOCUMENTS

D227,761 S	*	7/1973	Arbon	D23/238
D291,232 S	*	8/1987	Haug et al.	D23/238
D301,162 S	*	5/1989	Oberdorfer	D23/238
D313,464 S	*	1/1991	Di Maggio	D23/238
D324,904 S	*	3/1992	Haug et al.	D23/238
D354,336 S	*	1/1995	Delabie et al.	D23/238

D360,678 S	*	7/1995	Mine	D23/238
D417,906 S	*	12/1999	Mullenmeister	D23/238
D420,430 S	*	2/2000	Lobermeier	D23/238
D441,429 S	*	5/2001	Mullenmeister	D23/238
D466,977 S	*	12/2002	Cummings	D23/238
D479,581 S	*	9/2003	Haug et al.	D23/238
D486,560 S	*	2/2004	Spangler	D23/255
D487,133 S	*	2/2004	Haug et al.	D23/238
D513,060 S	*	12/2005	Ouyoung	D23/238
D517,647 S	*	3/2006	Kulig	D23/238

* cited by examiner

Primary Examiner—Louis S. Zarfaz

Assistant Examiner—Gregory Andoll

(74) *Attorney, Agent, or Firm*—Kwadjo Adusei-Poku;
Lloyd D. Doigan

(57) **CLAIM**

The ornamental design for a faucet, as shown and described.

DESCRIPTION

FIG. 1 is a front perspective view of a faucet showing our design;

FIG. 2 is a front elevational view thereof;

FIG. 3 is a top plan view thereof;

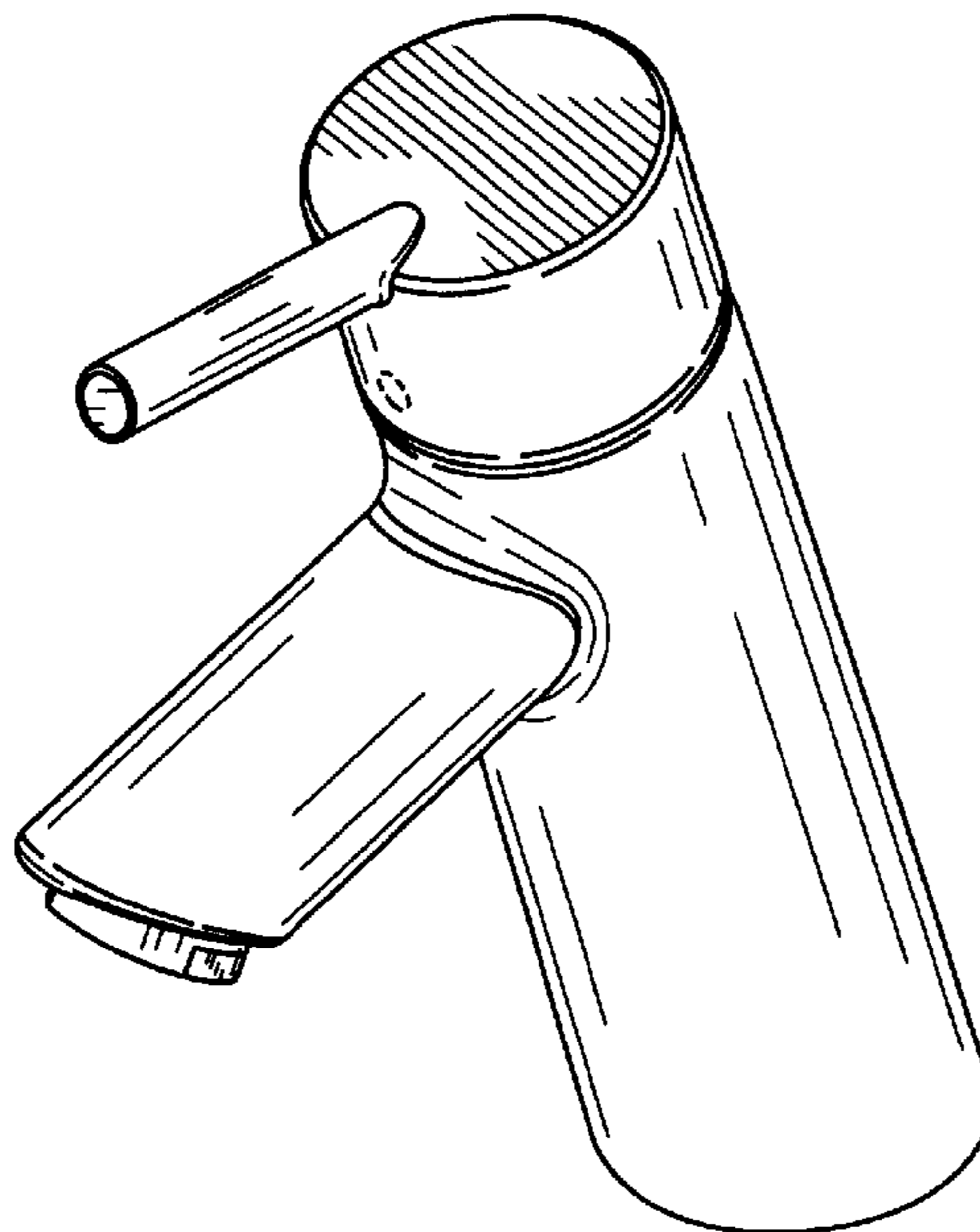
FIG. 4 is a left side elevational view thereof;

FIG. 5 is a rear elevational view thereof; and,

FIG. 6 is a right side elevational view thereof.

The broken lines in the Figures are for illustrative purposes only and form no part of the claimed design.

1 Claim, 3 Drawing Sheets



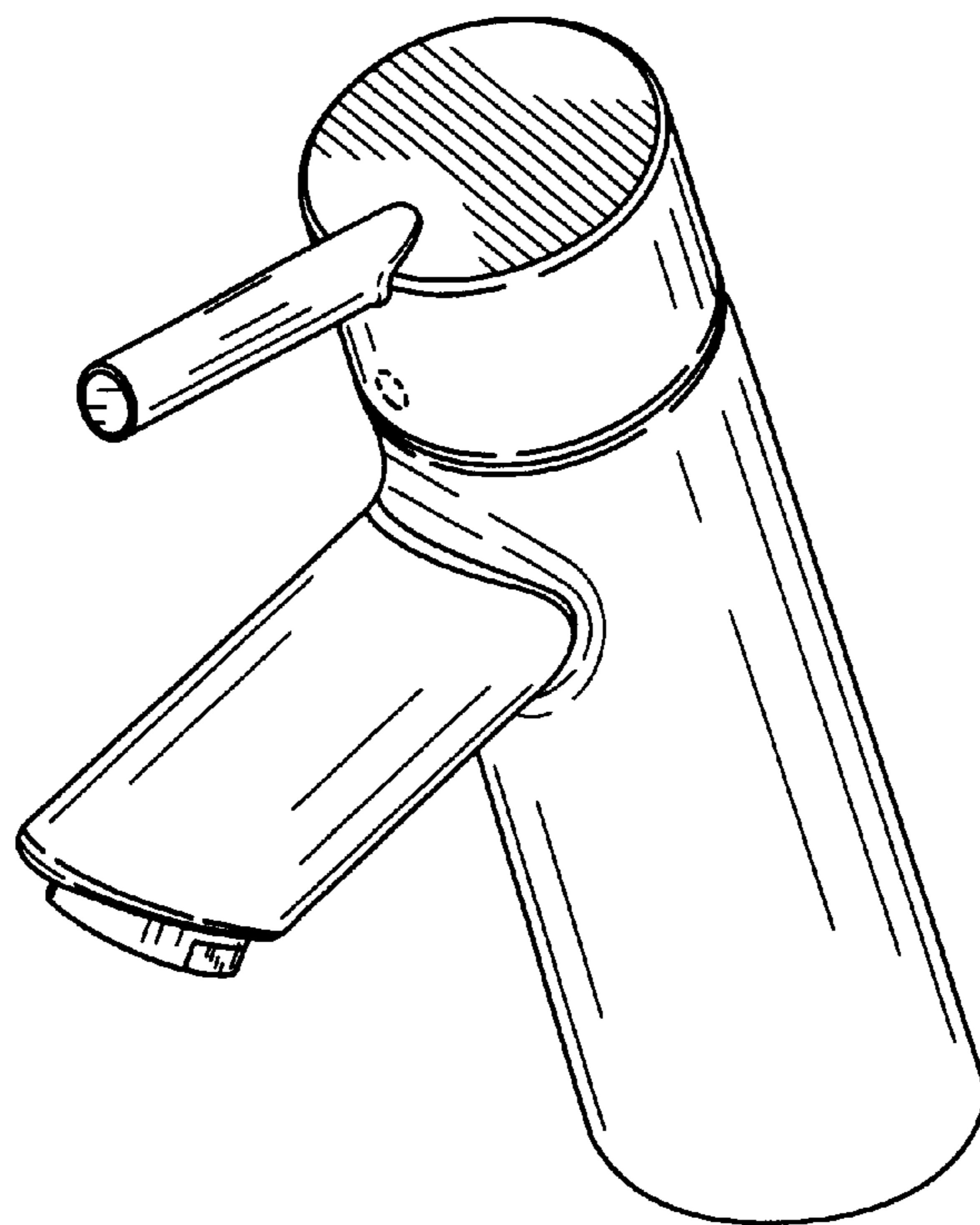


FIG. 1

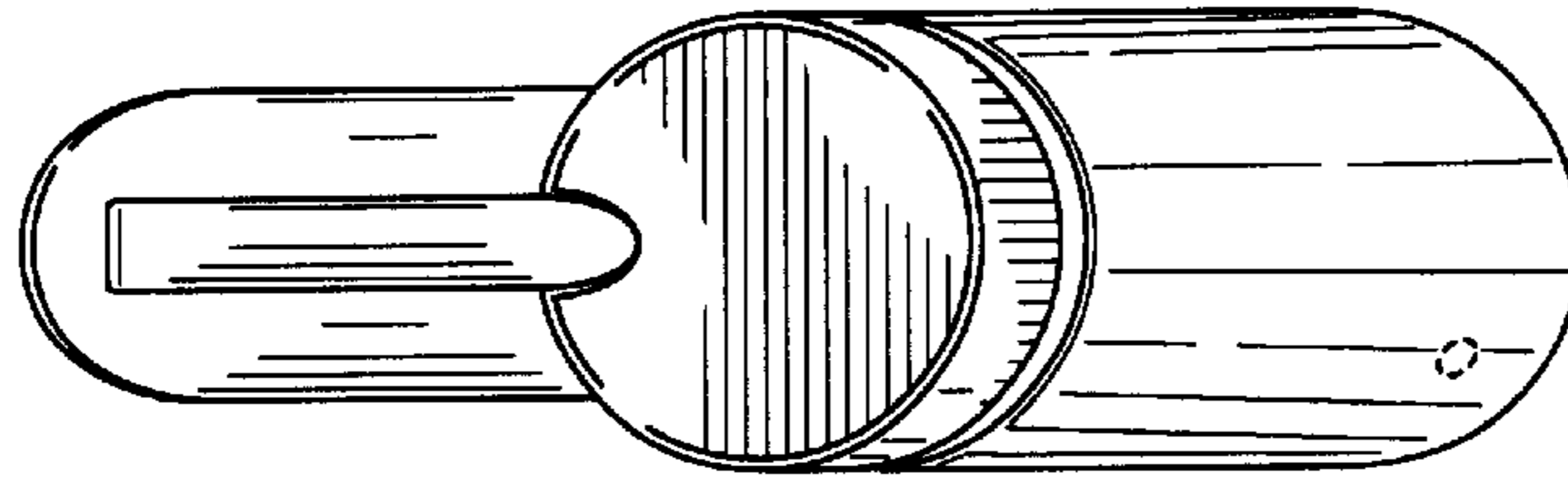


FIG. 3

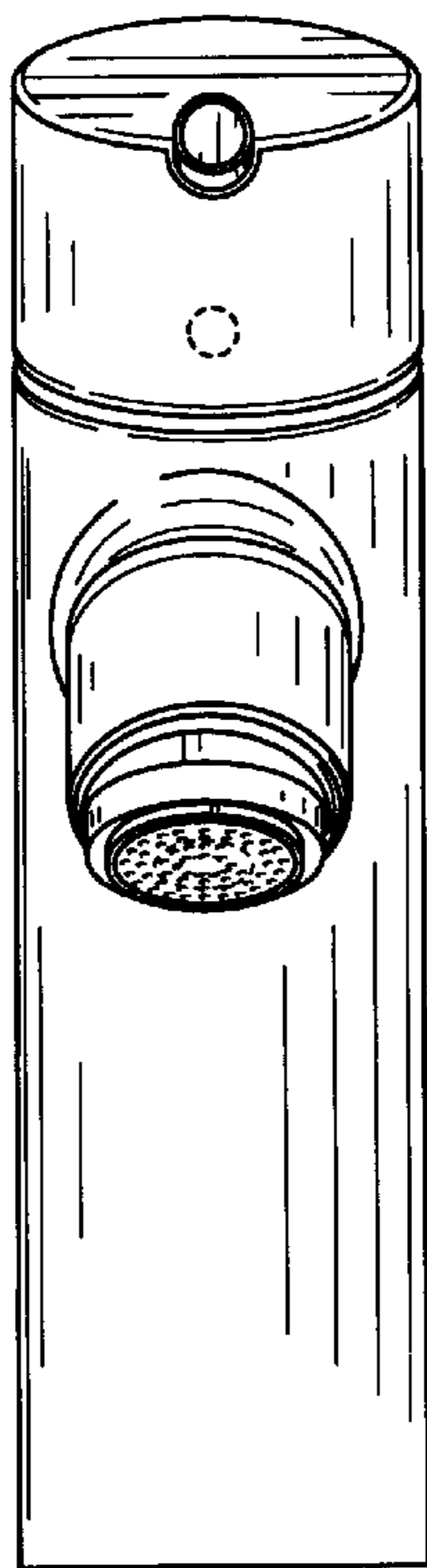


FIG. 2

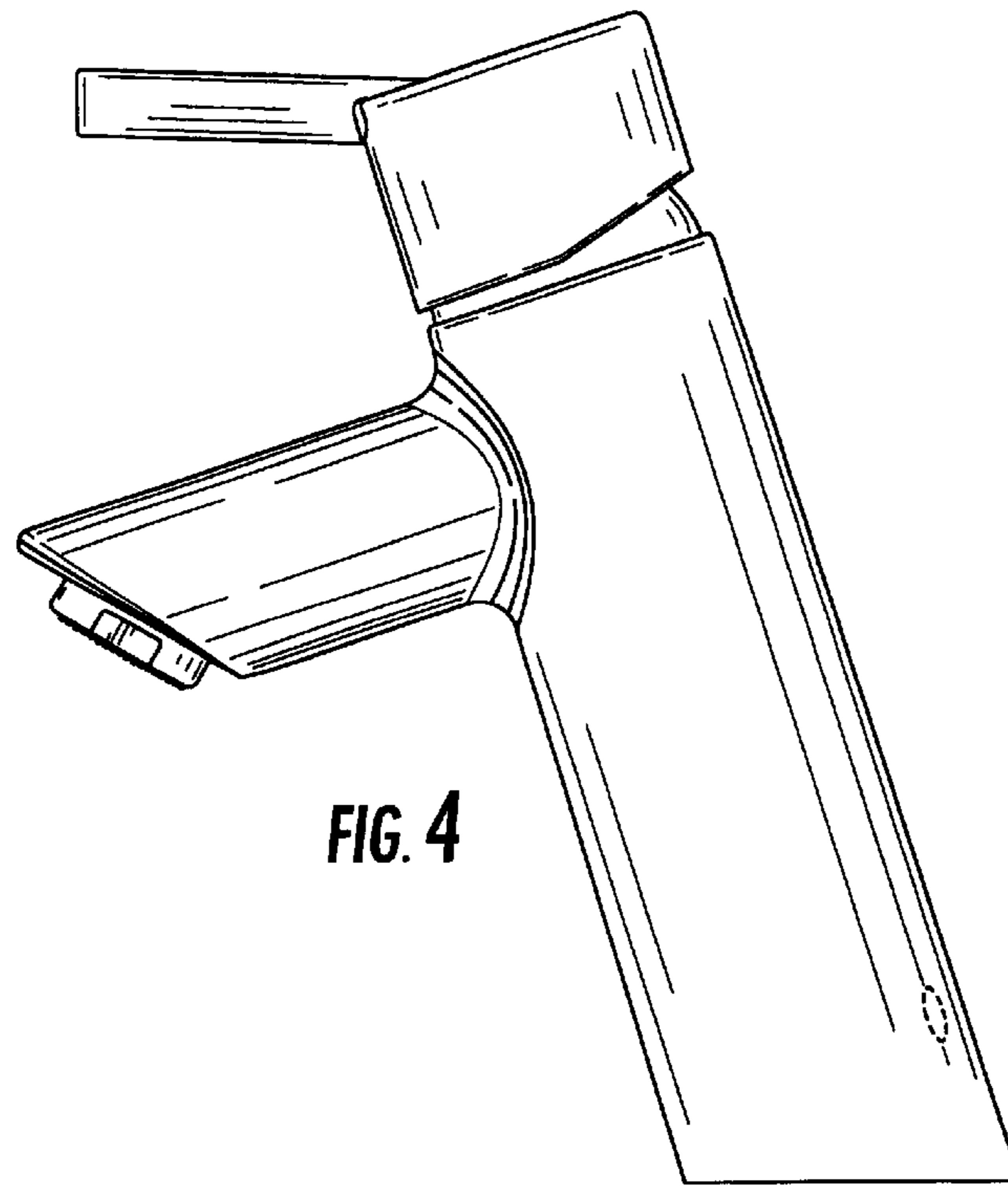


FIG. 4

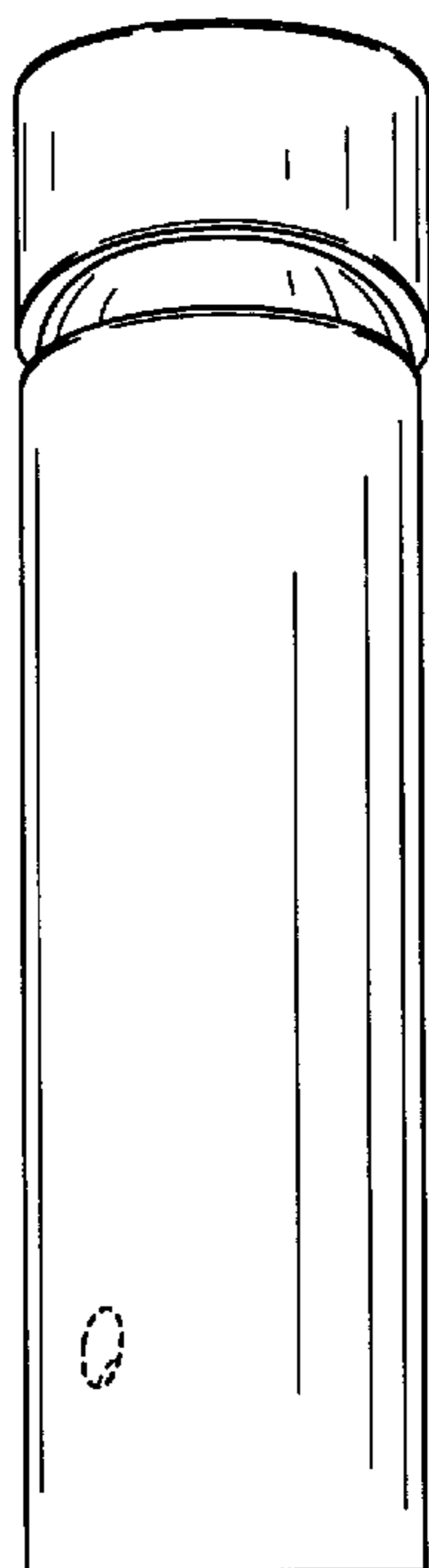


FIG. 5

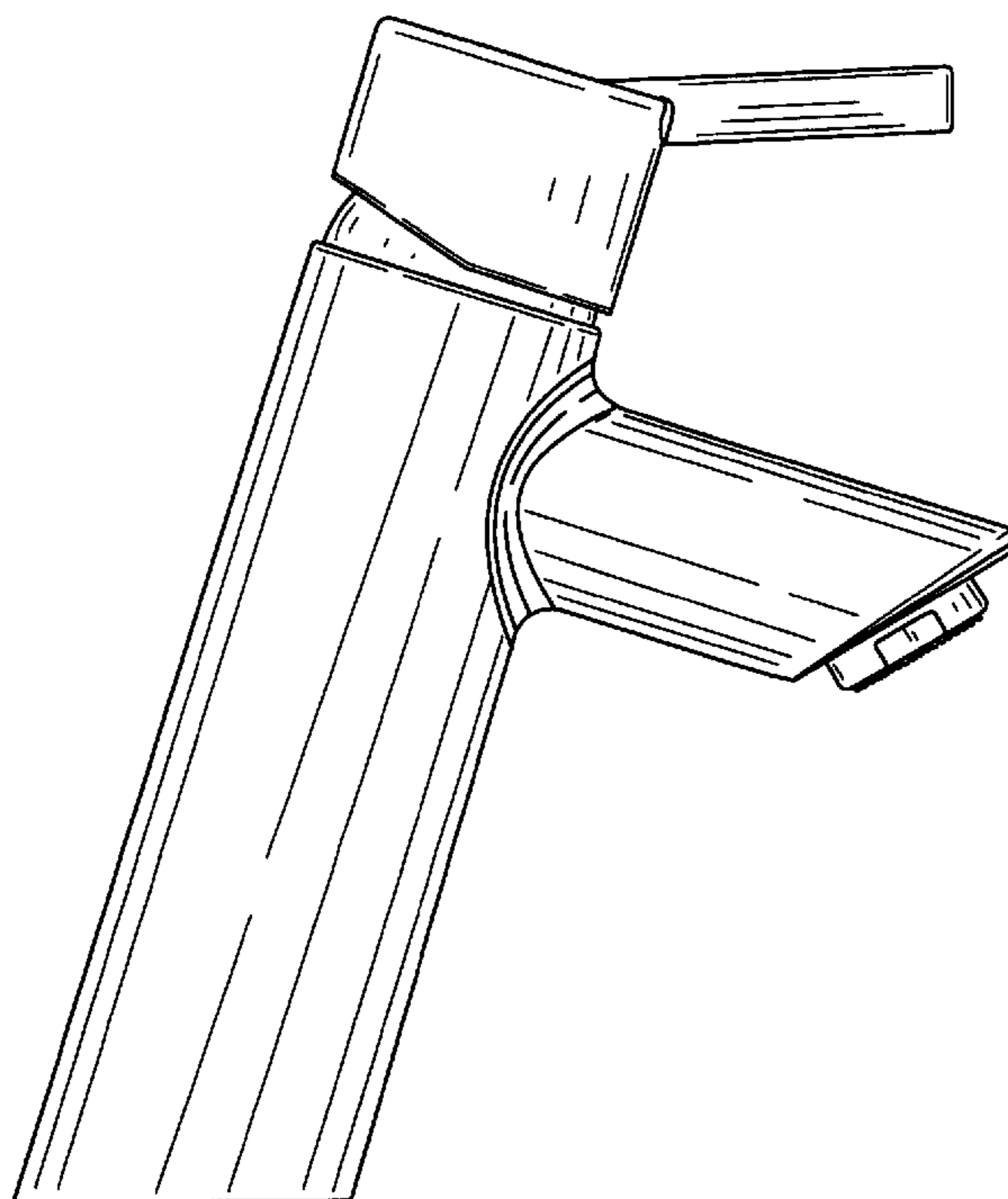


FIG. 6