



US00D531697S

(12) **United States Design Patent**  
**Hofmann**

(10) **Patent No.:** **US D531,697 S**

(45) **Date of Patent:** **\*\* Nov. 7, 2006**

(54) **VACUUM BREAKER**

(75) **Inventor:** **Steven Hofmann**, Haverhill, MA (US)

(73) **Assignee:** **Watts Drainage Products Inc.**, North Andover, MA (US)

(\*\*) **Term:** **14 Years**

(21) **Appl. No.:** **29/233,185**

(22) **Filed:** **Jun. 29, 2005**

(51) **LOC (8) Cl.** ..... **23-01**

(52) **U.S. Cl.** ..... **D23/237**

(58) **Field of Classification Search** ..... D23/230-239,  
D23/244-250, 259-269; 137/215-218, 526,  
137/541, 543.17, 542

See application file for complete search history.

(56) **References Cited**

**U.S. PATENT DOCUMENTS**

2,028,101 A \* 1/1936 Fredrickson ..... 137/217  
2,600,731 A \* 6/1952 Carlton et al. .... 137/217

D278,740 S \* 5/1985 Bolgert ..... D23/235  
D309,173 S \* 7/1990 Stipe ..... D23/233  
D319,866 S \* 9/1991 Rogers ..... D23/235  
5,360,029 A \* 11/1994 Goughneur ..... 137/218

\* cited by examiner

*Primary Examiner*—Ian Simmons

*Assistant Examiner*—Maurice Stevens

(74) *Attorney, Agent, or Firm*—Fish & Richardson P.C.

(57) **CLAIM**

The ornamental design for a vacuum breaker, as shown and described.

**DESCRIPTION**

FIG. 1 is a perspective view of a vacuum breaker, showing my new design;

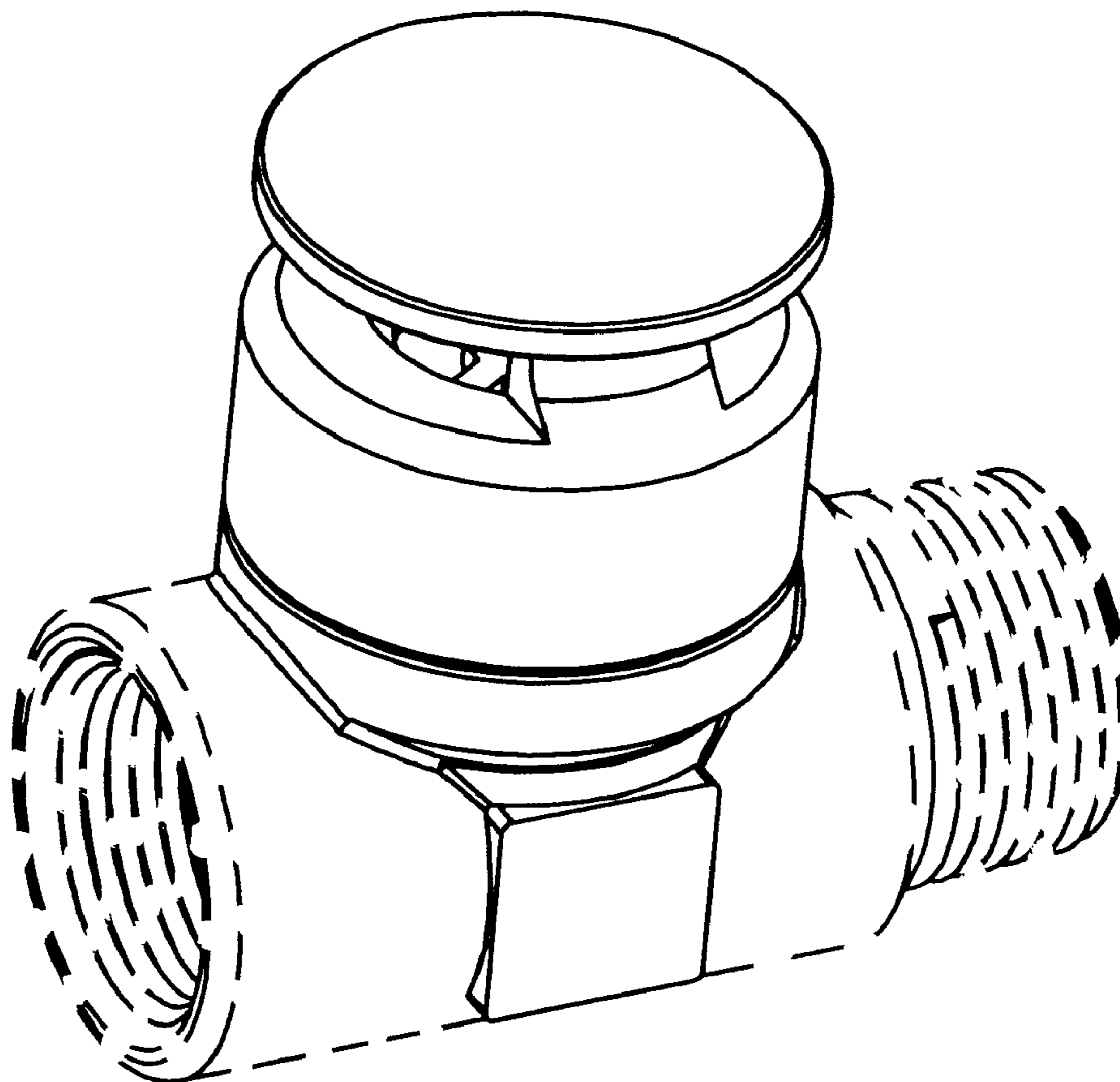
FIG. 2 is a side elevation view thereof;

FIG. 3 is a front view thereof; and,

FIG. 4 is a top plan view thereof.

The broken lines shown in FIGS. 1-4 are for illustrative purposes only and form no part of the claimed design.

**1 Claim, 4 Drawing Sheets**



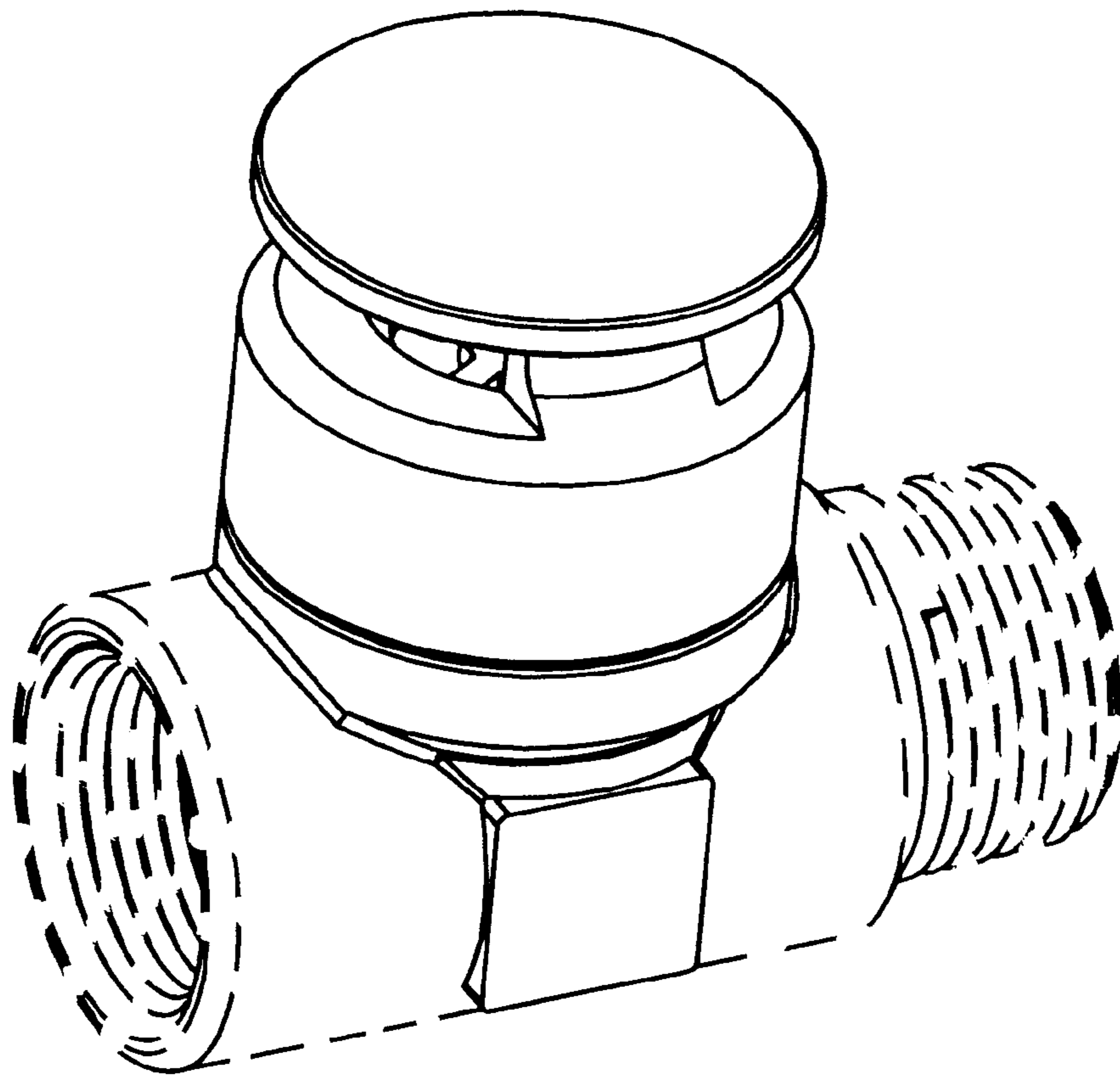


FIG. 1

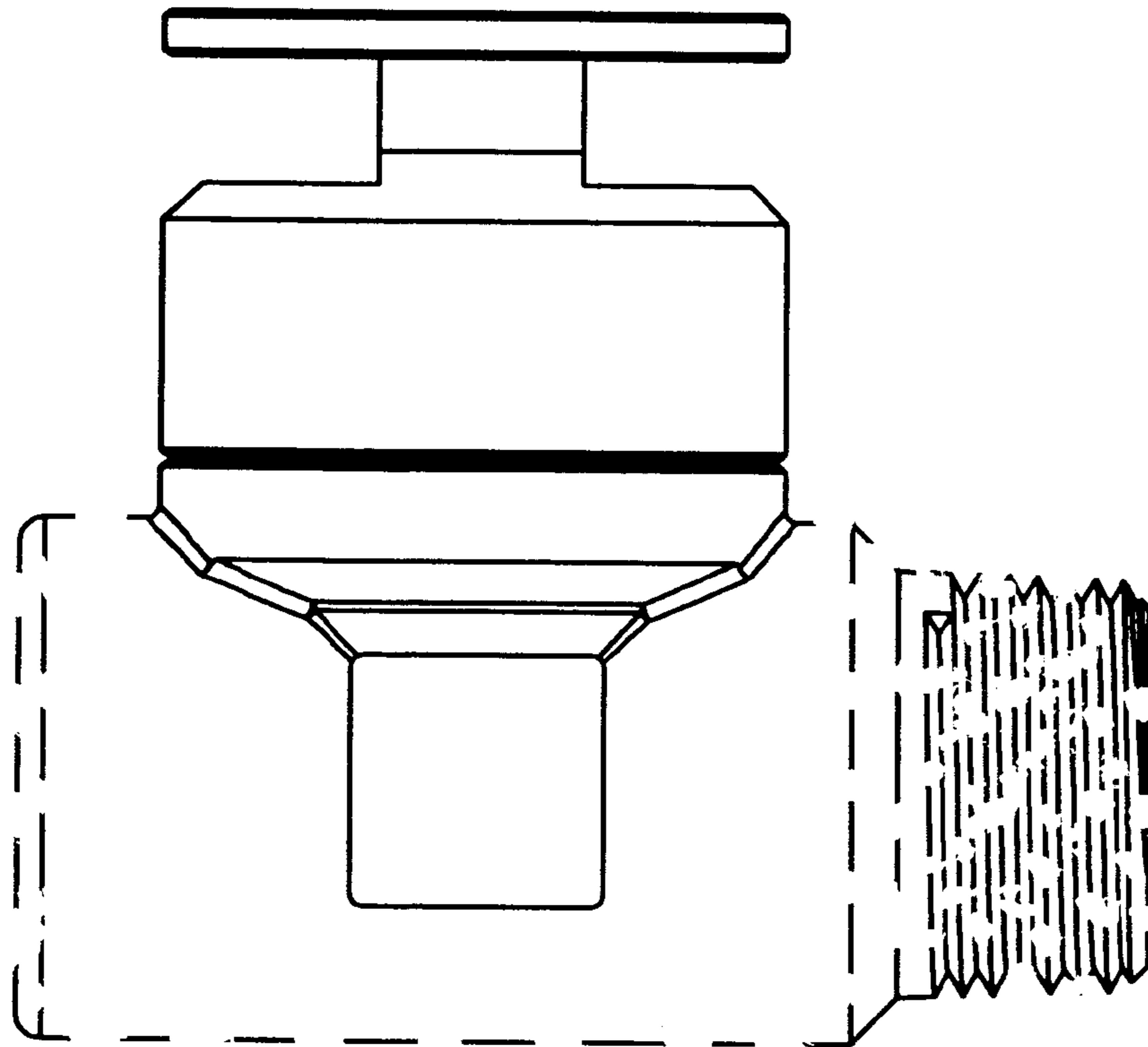


FIG. 2

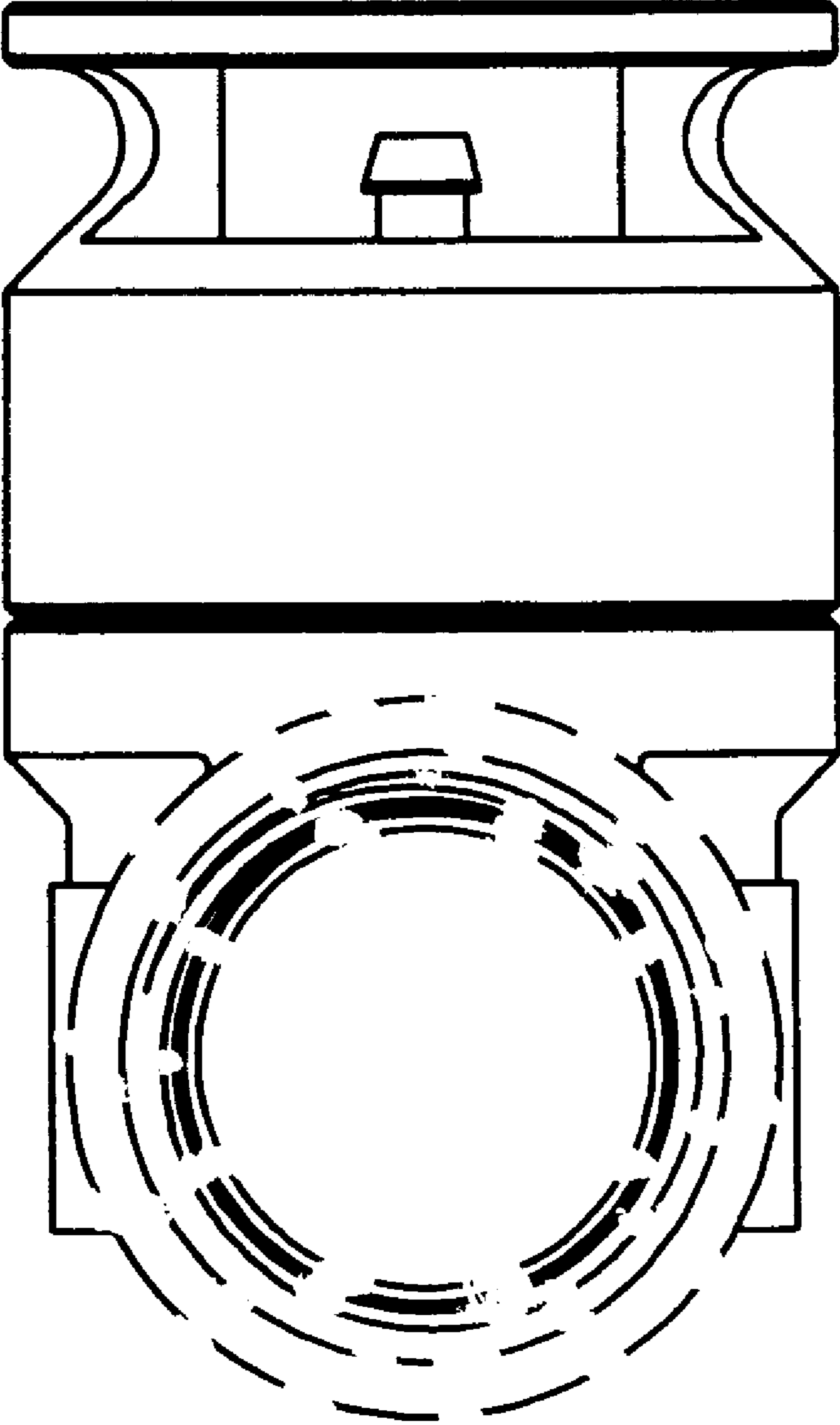


FIG. 3

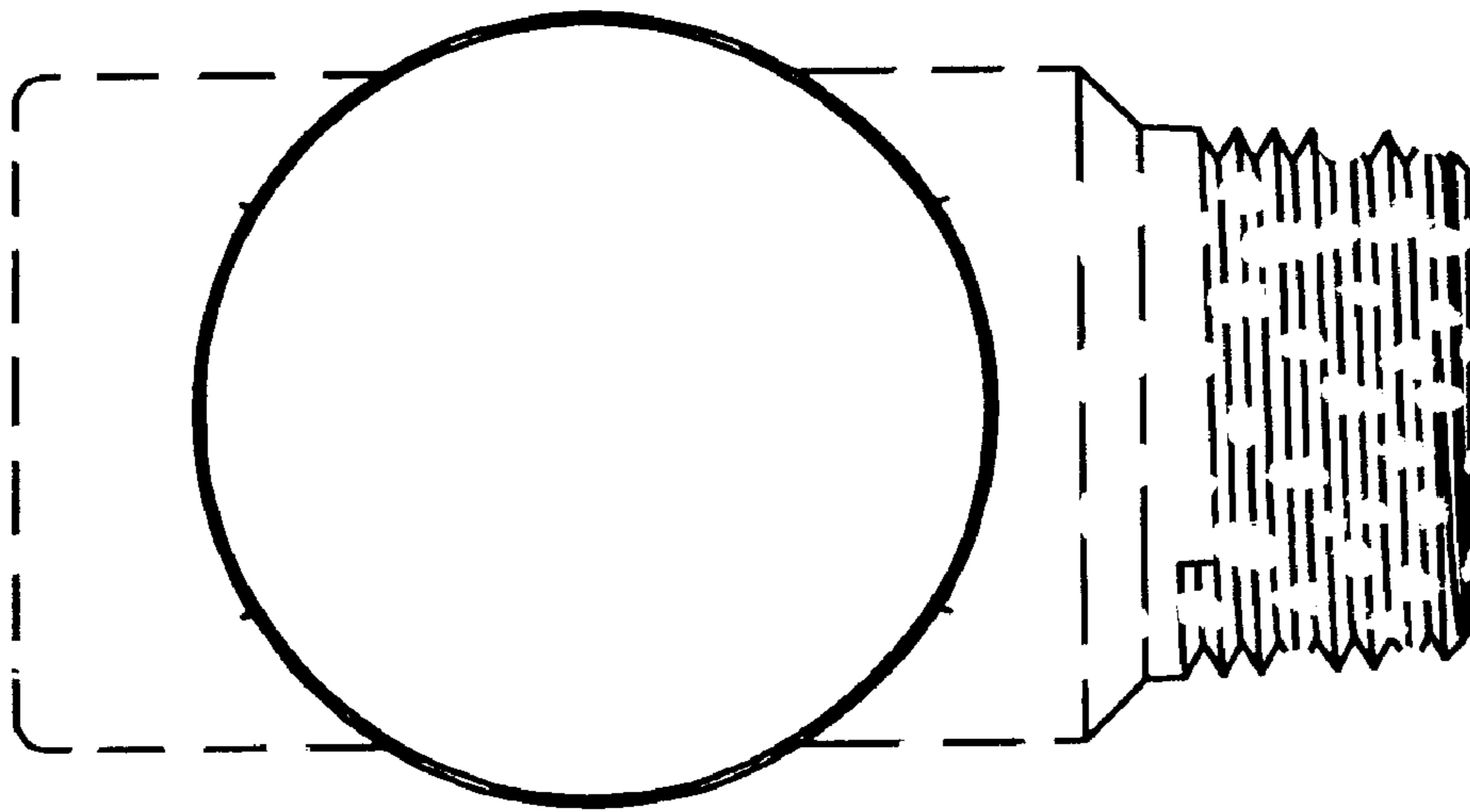


FIG. 4