



US00D531696S

(12) **United States Design Patent**
Lopez

(10) **Patent No.:** **US D531,696 S**

(45) **Date of Patent:** **** *Nov. 7, 2006**

(54) **LEVER-TYPE FLUSH VALVE FOR TOILETS**

(75) **Inventor:** **Arturo Villalobos Lopez, Mexico**
(MX)

(73) **Assignee:** **Helvex, S.A. de C.V., Mexico (MX)**

(*) **Notice:** This patent is subject to a terminal disclaimer.

(**) **Term:** **14 Years**

(21) **Appl. No.:** **29/219,105**

(22) **Filed:** **Dec. 14, 2004**

(30) **Foreign Application Priority Data**

Jun. 14, 2004 (MX) PA/f/2004/000891

(51) **LOC (8) Cl.** **23-01**

(52) **U.S. Cl.** **D23/235**

(58) **Field of Classification Search** D23/233-237,
D23/244-250; 251/15, 17, 38, 40, 236, 243;
137/549; 4/305, 422, DIG. 3, 249
See application file for complete search history.

(56) **References Cited**

U.S. PATENT DOCUMENTS

2,205,801 A * 6/1940 Newman 4/312

4,847,924 A * 7/1989 Samaniego 4/249
4,868,931 A * 9/1989 Schneeweiss 4/308
D355,478 S * 2/1995 Allen et al. D23/249
5,388,610 A * 2/1995 Chuang 137/549
D366,929 S * 2/1996 Allen et al. D23/236
D434,110 S * 11/2000 Kim D23/236

* cited by examiner

Primary Examiner—Ian Simmons

Assistant Examiner—Maurice Stevens

(74) *Attorney, Agent, or Firm*—Connolly Bove Lodge & Hutz LLP

(57) **CLAIM**

The ornamental design for a lever-type flush valve for toilets, as shown and described.

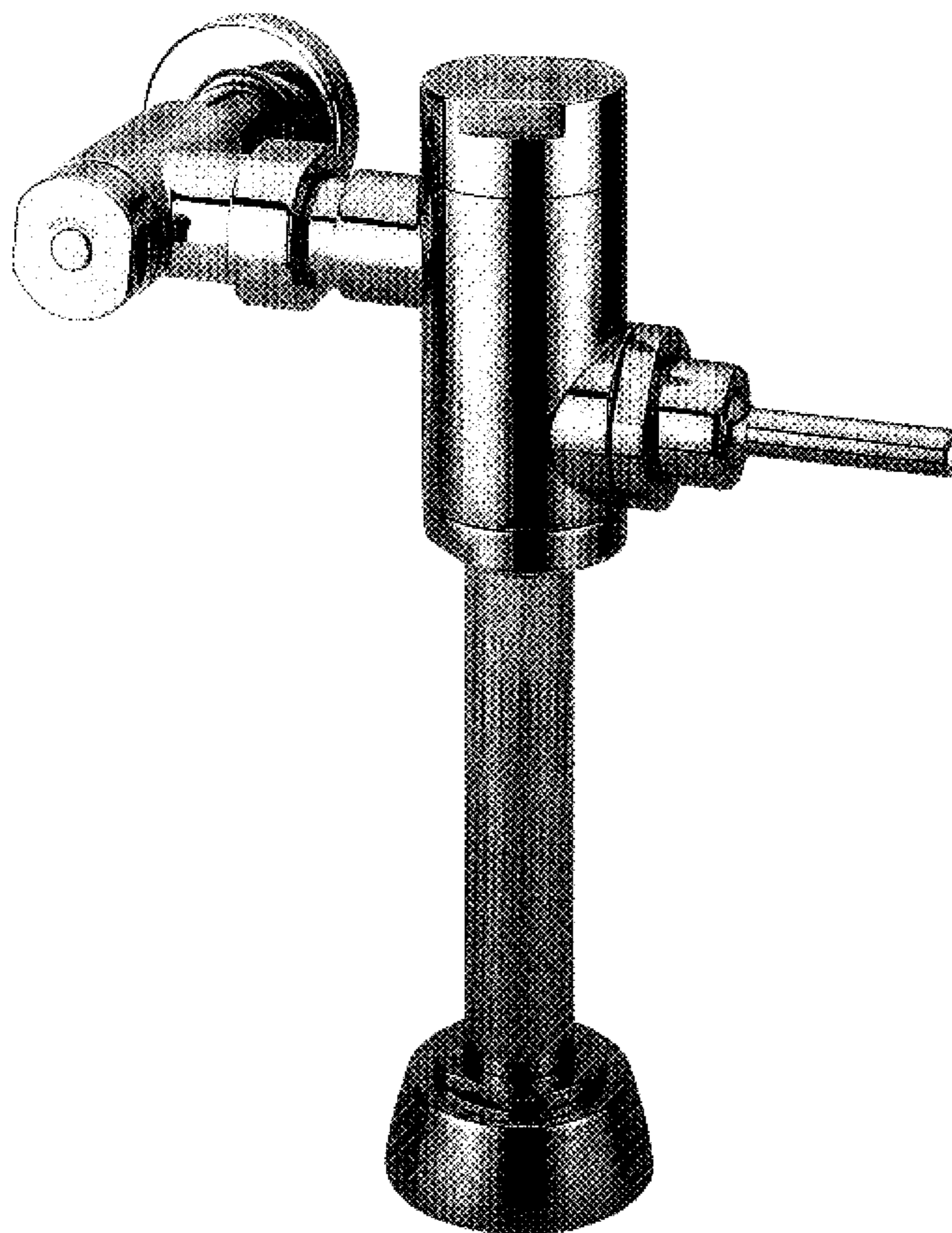
DESCRIPTION

FIG. 1 is a right side perspective view of a lever-type flush valve for toilets, in which the design and the relative proportions thereof are shown; and,

FIG. 2 is a left side perspective view of the lever-type flush valve, in which the design and the relative proportions thereof are shown.

In the figures, dark shading represents surface reflections.

1 Claim, 2 Drawing Sheets



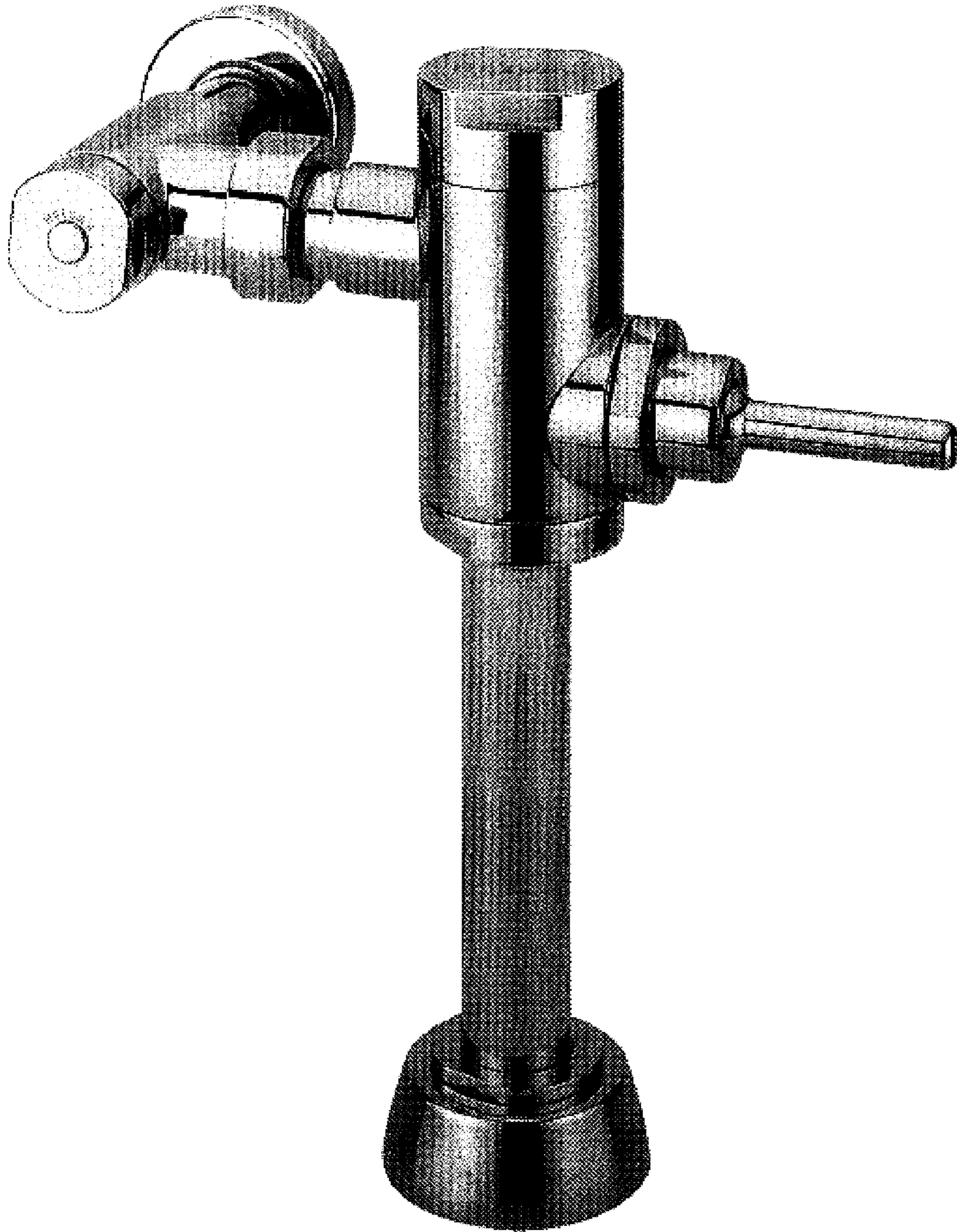


FIG. 1

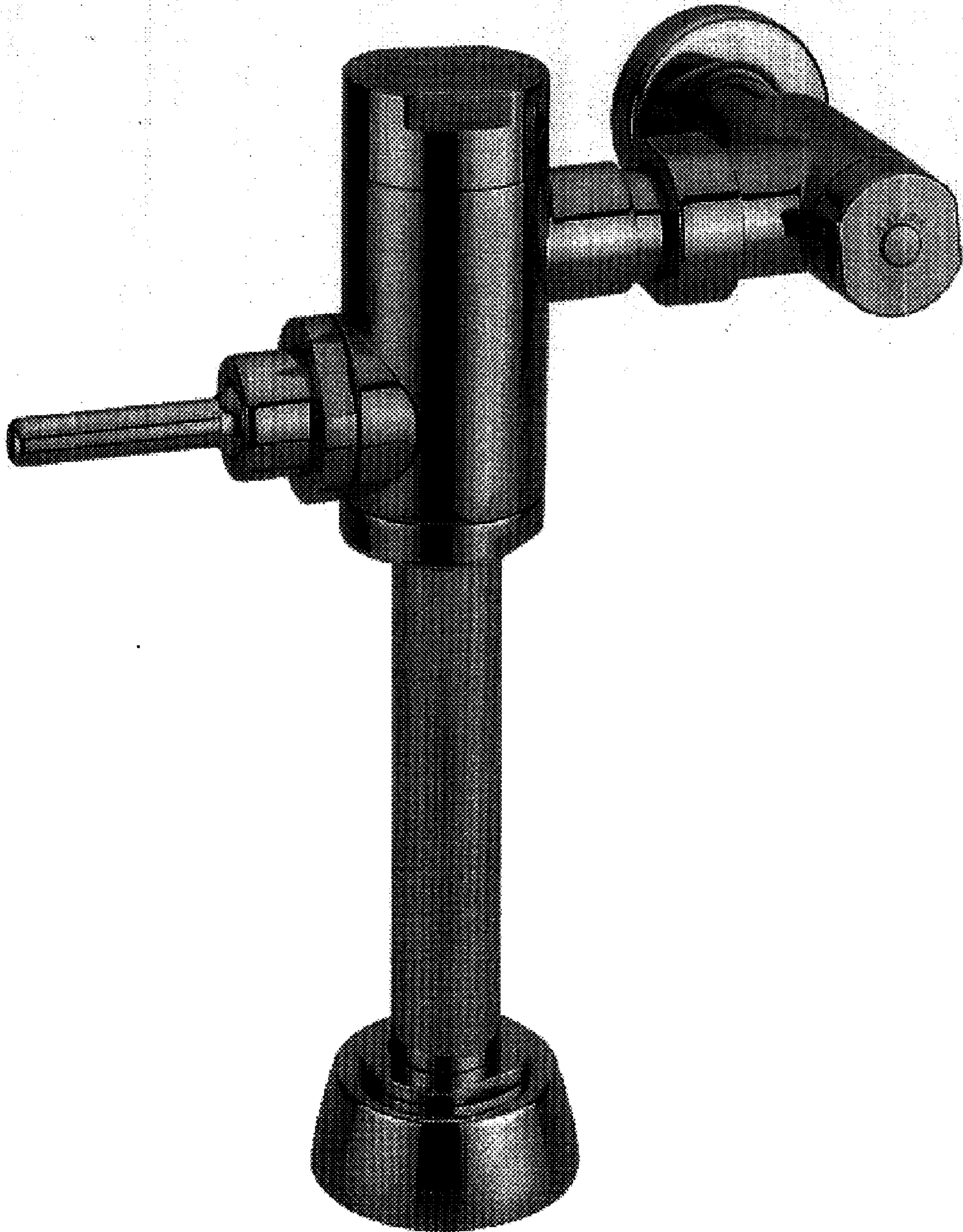


FIG. 2