



US00D531695S

(12) **United States Design Patent**
Fregnani

(10) **Patent No.:** **US D531,695 S**

(45) **Date of Patent:** **** Nov. 7, 2006**

(54) **HAND SHOWER**

D509,280 S * 9/2005 Bailey et al. D23/223
D509,563 S * 9/2005 Bailey et al. D23/223

(76) Inventor: **Mara Fregnani**, Via Morine, 13/b,
40026 Imola (IT)

* cited by examiner

(**) Term: **14 Years**

Primary Examiner—Robin Webster
(74) *Attorney, Agent, or Firm*—Modiano & Associati;
Albert Josif; Daniel J. O’Byrne

(21) Appl. No.: **29/230,377**

(22) Filed: **May 20, 2005**

(57) **CLAIM**

(51) **LOC (8) Cl.** **23-01**

The ornamental design for “hand shower”, as shown and described.

(52) **U.S. Cl.** **D23/223**

(58) **Field of Classification Search** D23/213,
D23/223, 226, 229–30; 239/587.1, 282–3,
239/394, 462

DESCRIPTION

See application file for complete search history.

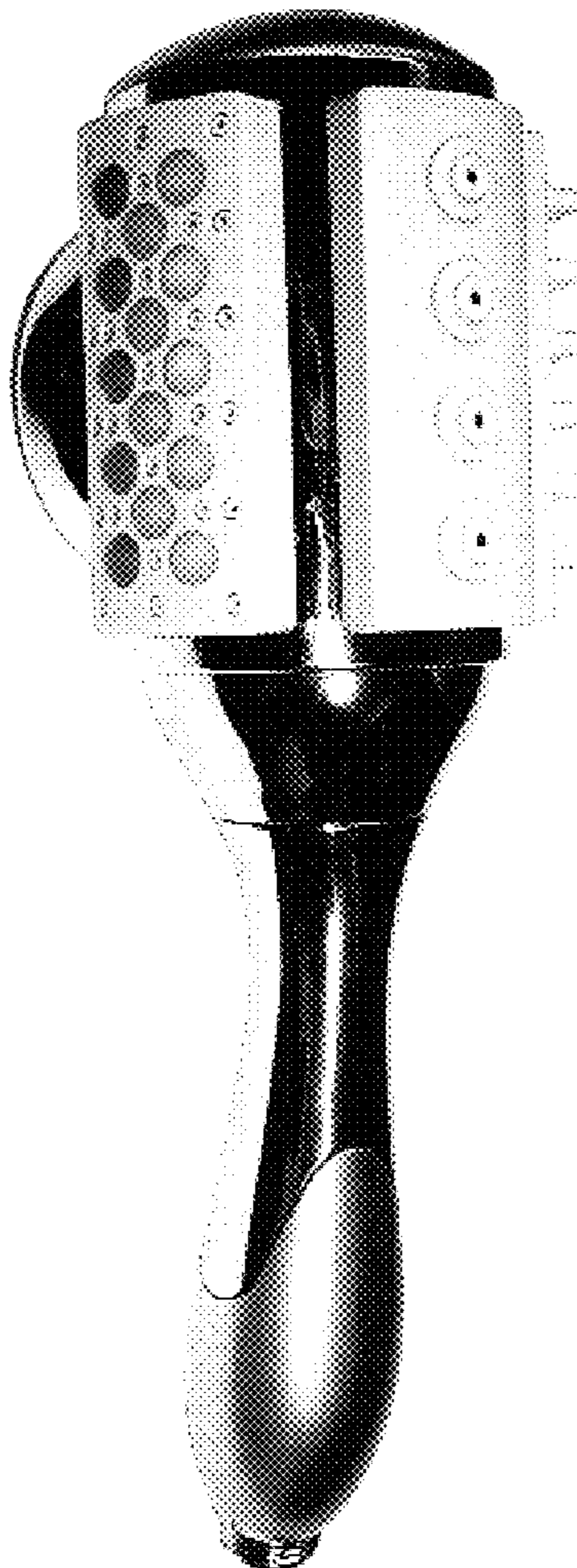
FIG. 1 is a front view, showing my new design;
FIG. 2 is a right side view thereof;
FIG. 3 is a left side view thereof;
FIG. 4 is a rear view thereof;
FIG. 5 is a plan view from above thereof.
FIG. 6 is a plan view from below thereof; and,
FIG. 7 is a perspective view thereof.

(56) **References Cited**

U.S. PATENT DOCUMENTS

D431,278 S * 9/2000 Tse D23/223
D432,624 S * 10/2000 Chan D23/223
D503,776 S * 4/2005 Lin D23/223

1 Claim, 3 Drawing Sheets



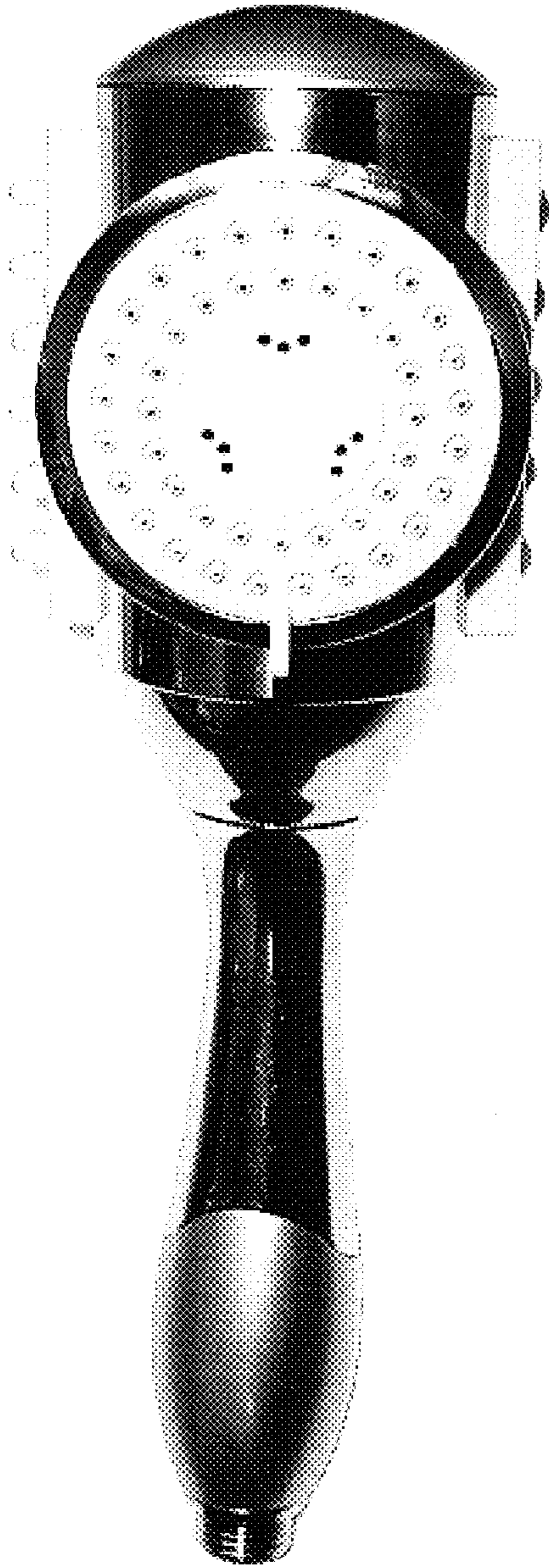


Fig. 1

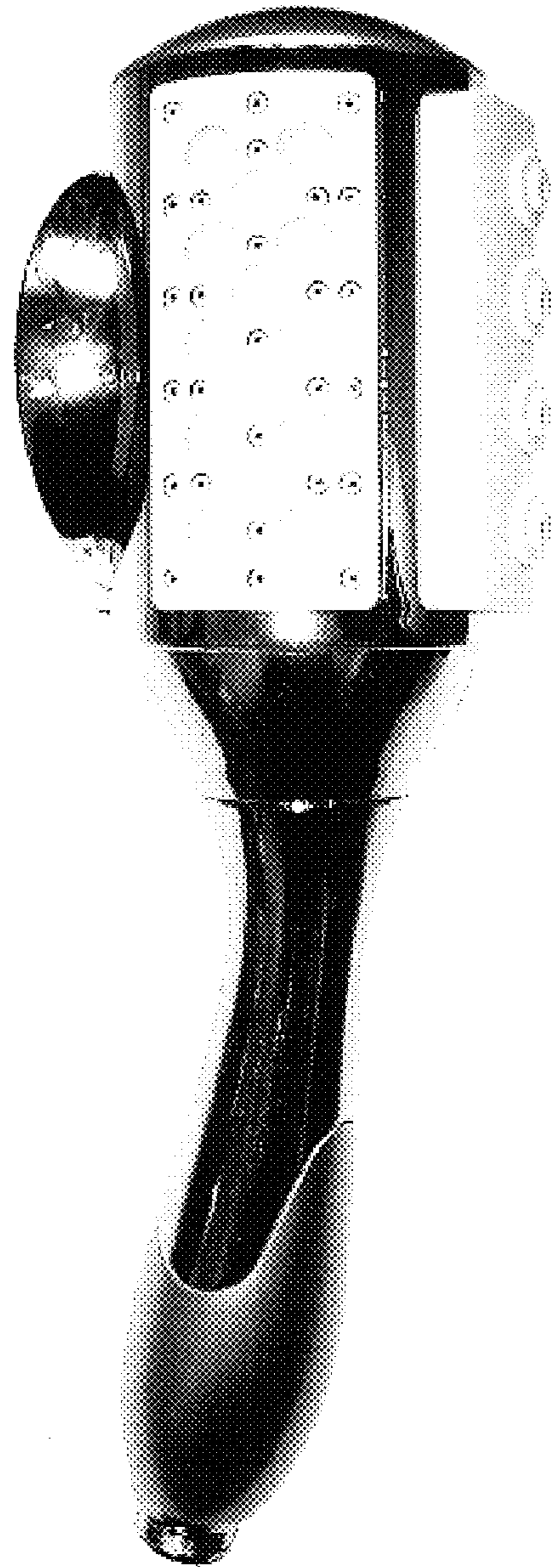


Fig. 2

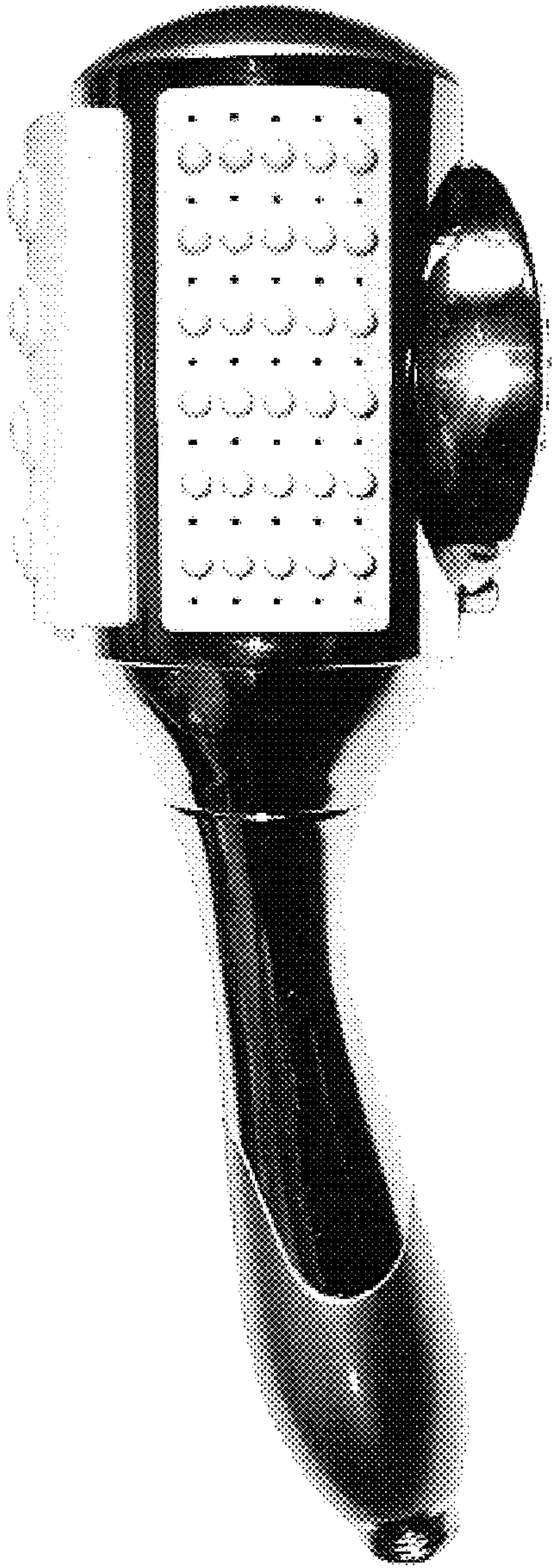


Fig. 3

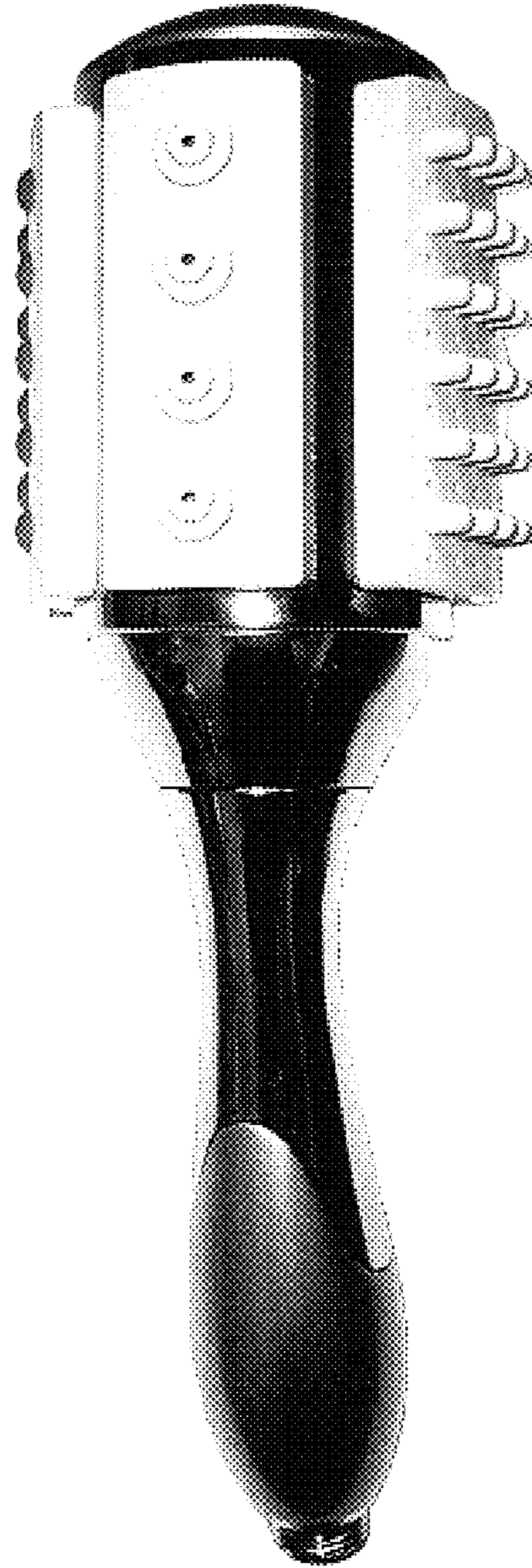


Fig. 4

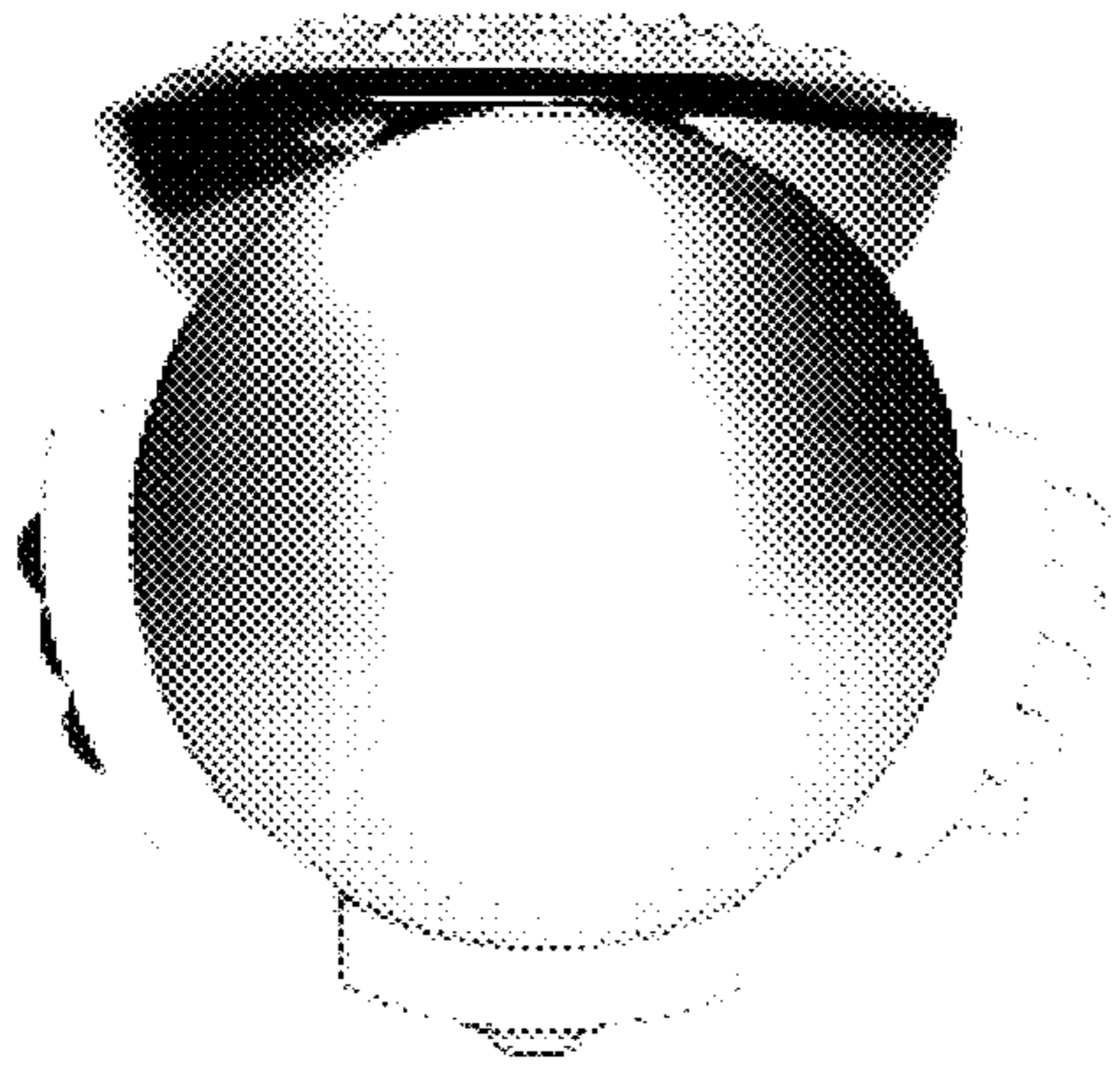


Fig. 5

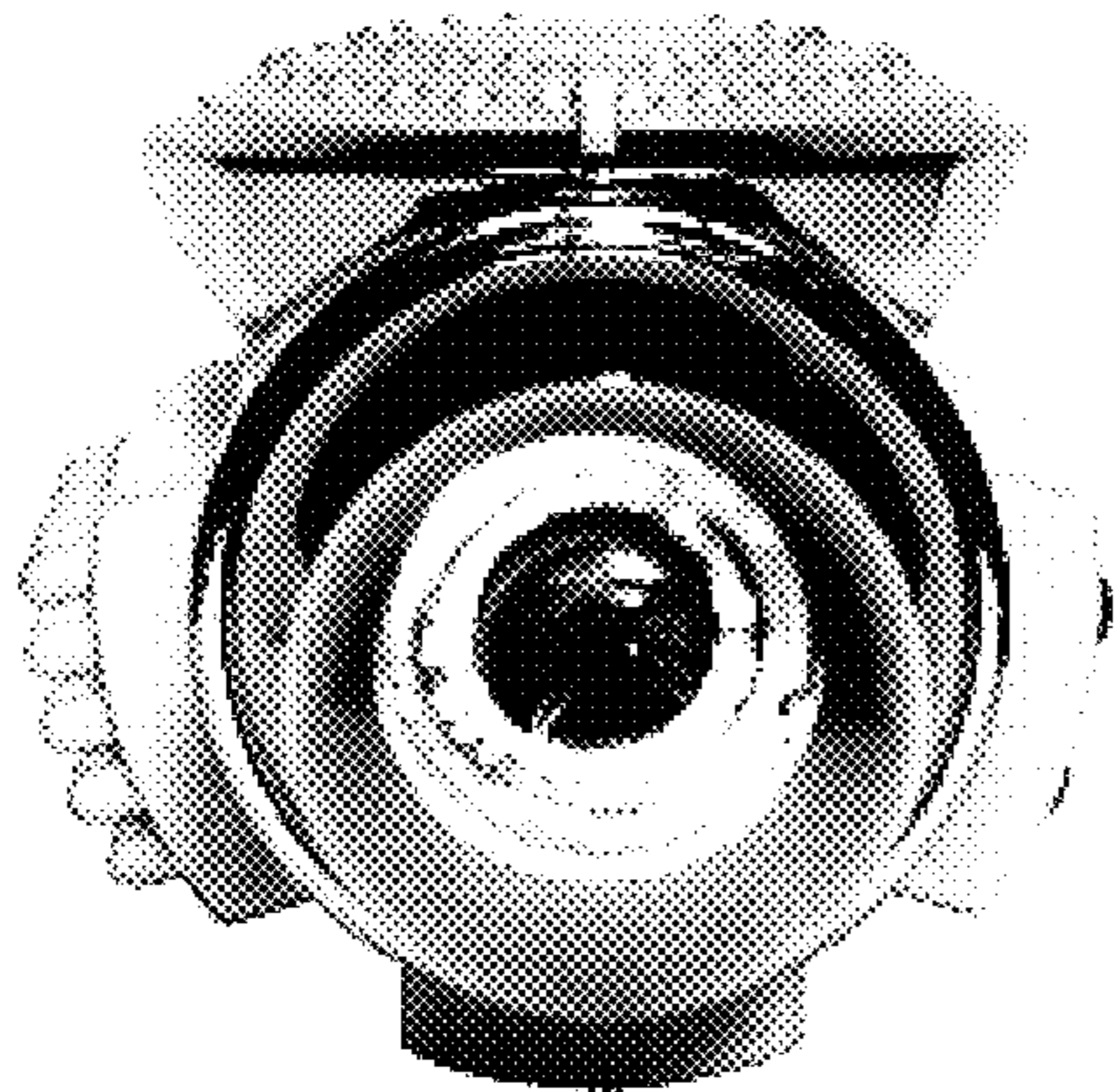


Fig. 6

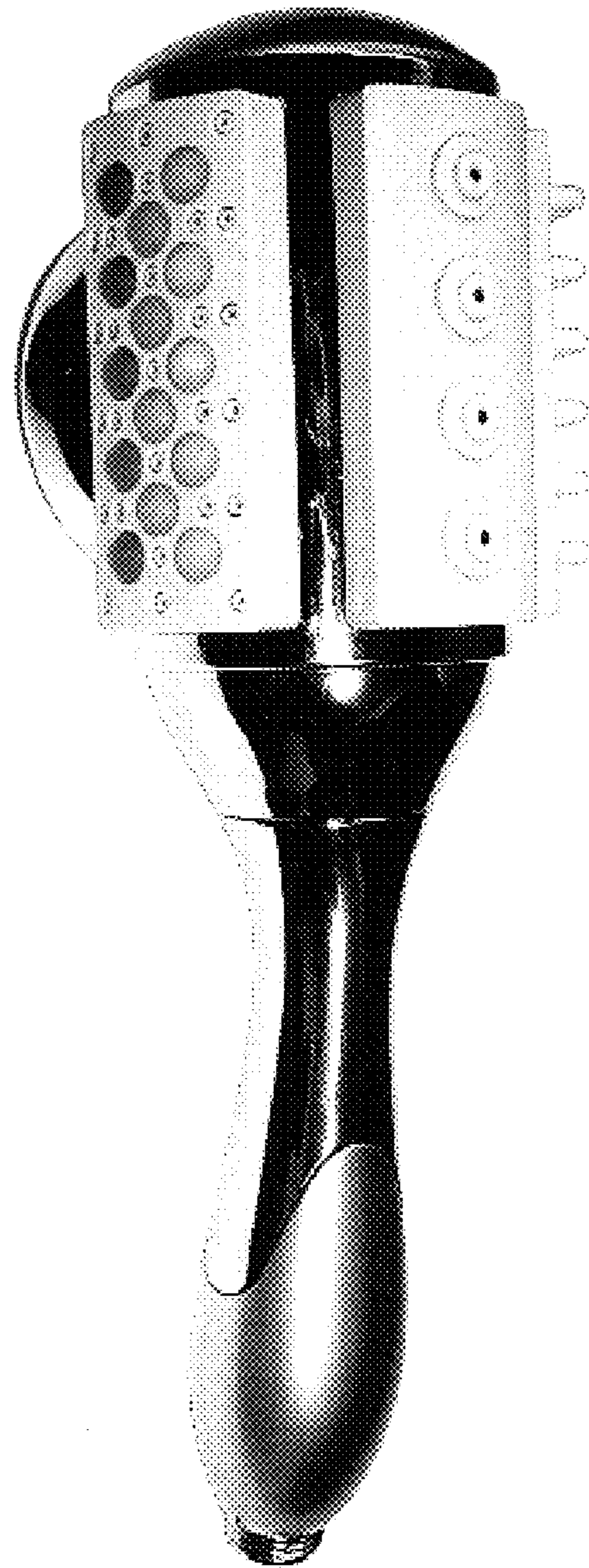


Fig. 7