



US00D531694S

(12) **United States Design Patent** (10) **Patent No.:** **US D531,694 S**
Kirar (45) **Date of Patent:** **** Nov. 7, 2006**

(54) **SPRAY HEAD**

(75) Inventor: **Laura K. Kirar**, New York, NY (US)

(73) Assignee: **Kohler Co.**, Kohler, WI (US)

(**) Term: **14 Years**

(21) Appl. No.: **29/229,658**

(22) Filed: **May 10, 2005**

(51) **LOC (8) Cl.** **23-01**

(52) **U.S. Cl.** **D23/213**

(58) **Field of Classification Search** D23/213,
D23/223, 229-30; 239/282-3, 462
See application file for complete search history.

(56) **References Cited**

U.S. PATENT DOCUMENTS

D261,417 S	*	10/1981	Klose	D23/229
D297,160 S	*	8/1988	Robbins	D23/213
6,264,121 B1	*	7/2001	McClary	239/525
D501,243 S	*	1/2005	Blomstrom	D23/229
D512,120 S	*	11/2005	Haug et al.	D23/213
D512,764 S	*	12/2005	Kohler et al.	D23/229

OTHER PUBLICATIONS

Website page, Newport Brass, Accessory Body Spray, May 9, 2005.

Website page, Brass Tech, Body Spray, May 9, 2005.

Website page, Ondine Luxury Shower Systems, Accessory Body Spray, May 9, 2005.

Website page, Brass Tech, Slide Bar Hand Shower Kit, May 9, 2005.

* cited by examiner

Primary Examiner—Robin Webster

(74) *Attorney, Agent, or Firm*—Quarles & Brady LLP

(57) **CLAIM**

The ornamental design for a spray head, as shown and described.

DESCRIPTION

In a preferred embodiment, the nature of this product is a spray head for spraying a human with a water shower.

FIG. 1 is a right, top, front perspective view of a spray head according to my new design;

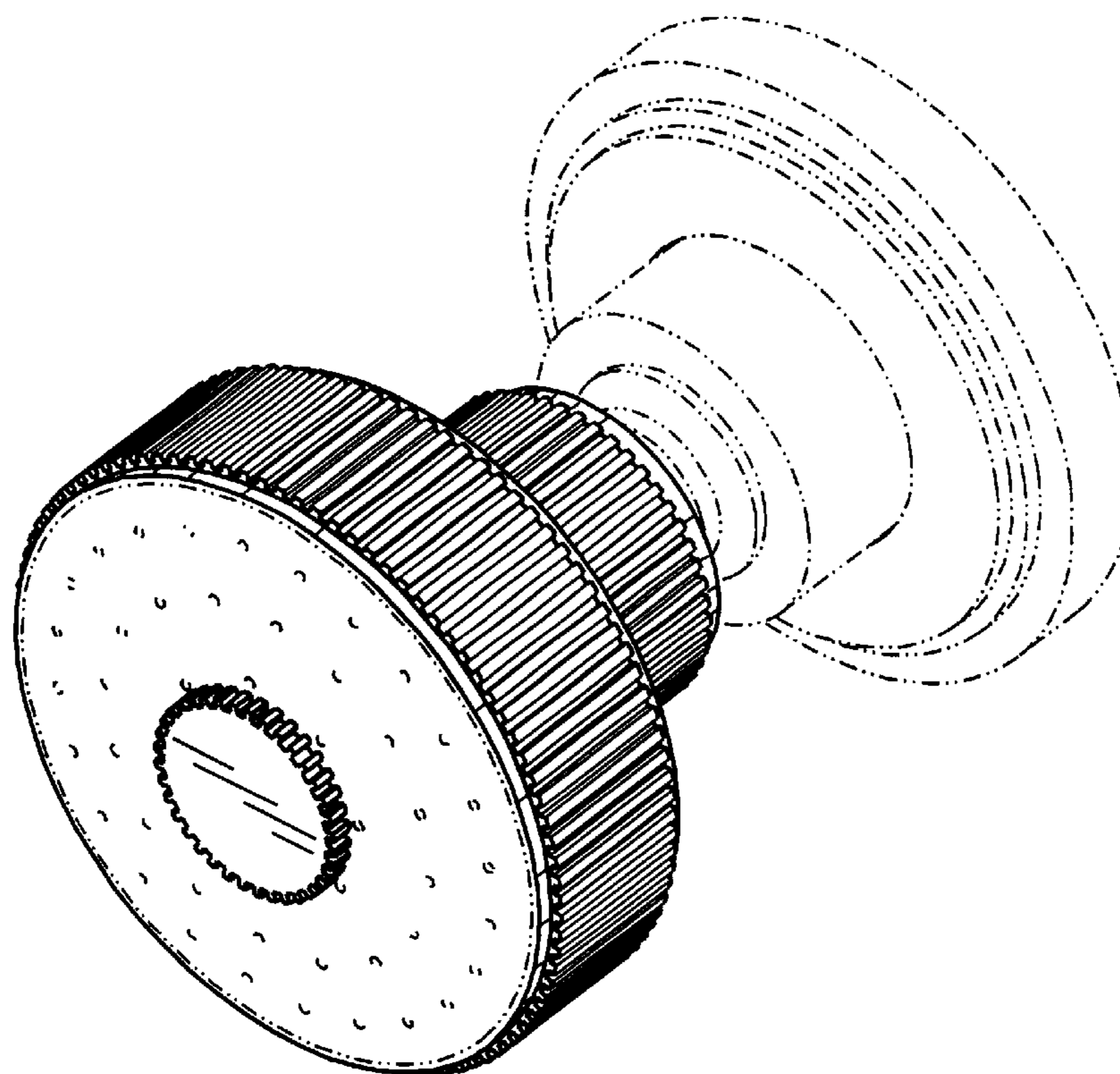
FIG. 2 is a front elevational view thereof;

FIG. 3 is a right side elevational view thereof, the left side elevational view thereof being a mirror image of the right side shown;

FIG. 4 is a top plan view thereof, the bottom plan view thereof being a mirror image of the top view shown; and, FIG. 5 is a rear elevational view thereof.

The broken line representations of holes in FIGS. 1-4 and of mounting structure in the figures are for the purpose of illustration only, and form no part of the claimed design.

1 Claim, 2 Drawing Sheets



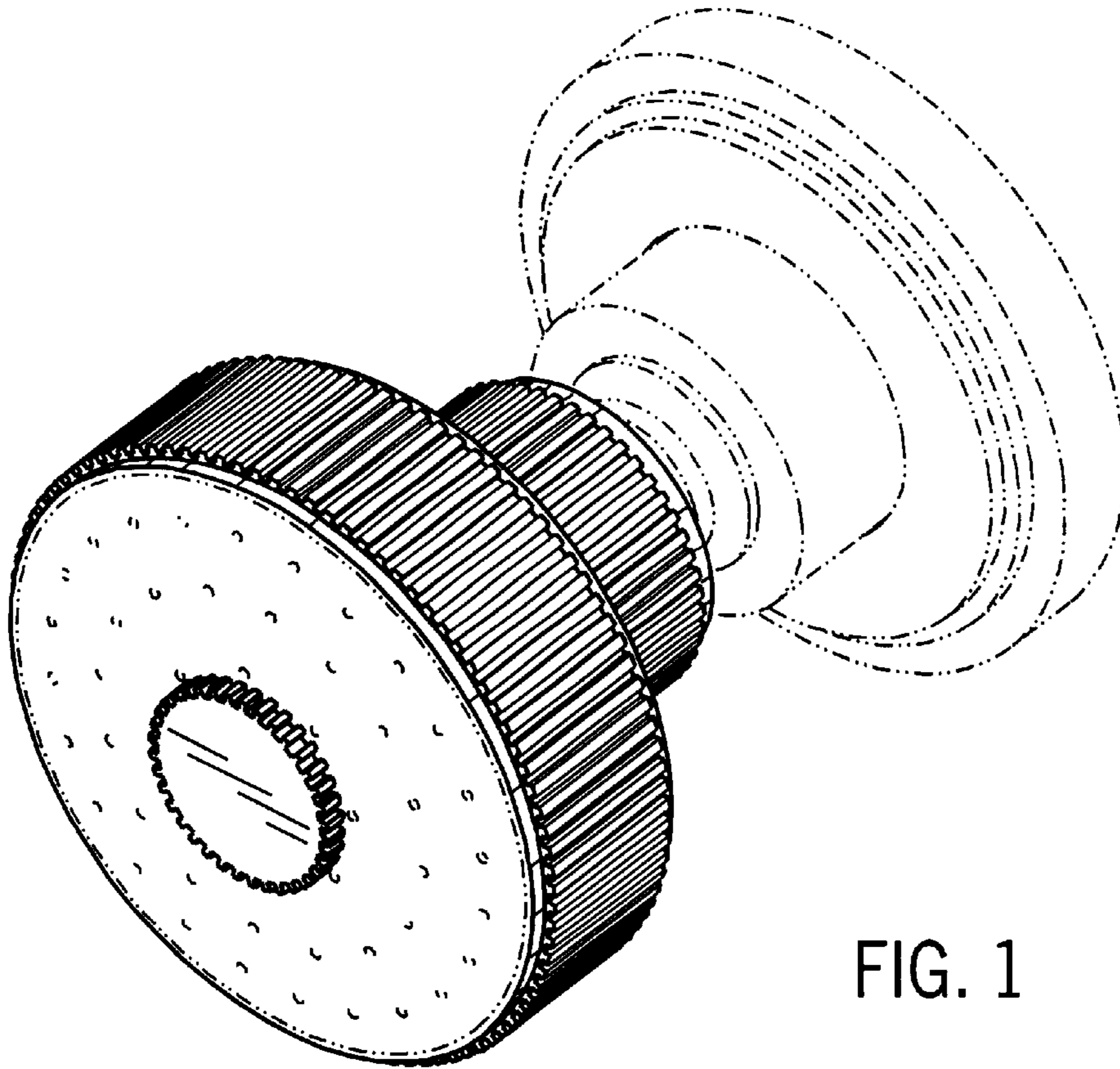


FIG. 1

FIG. 2

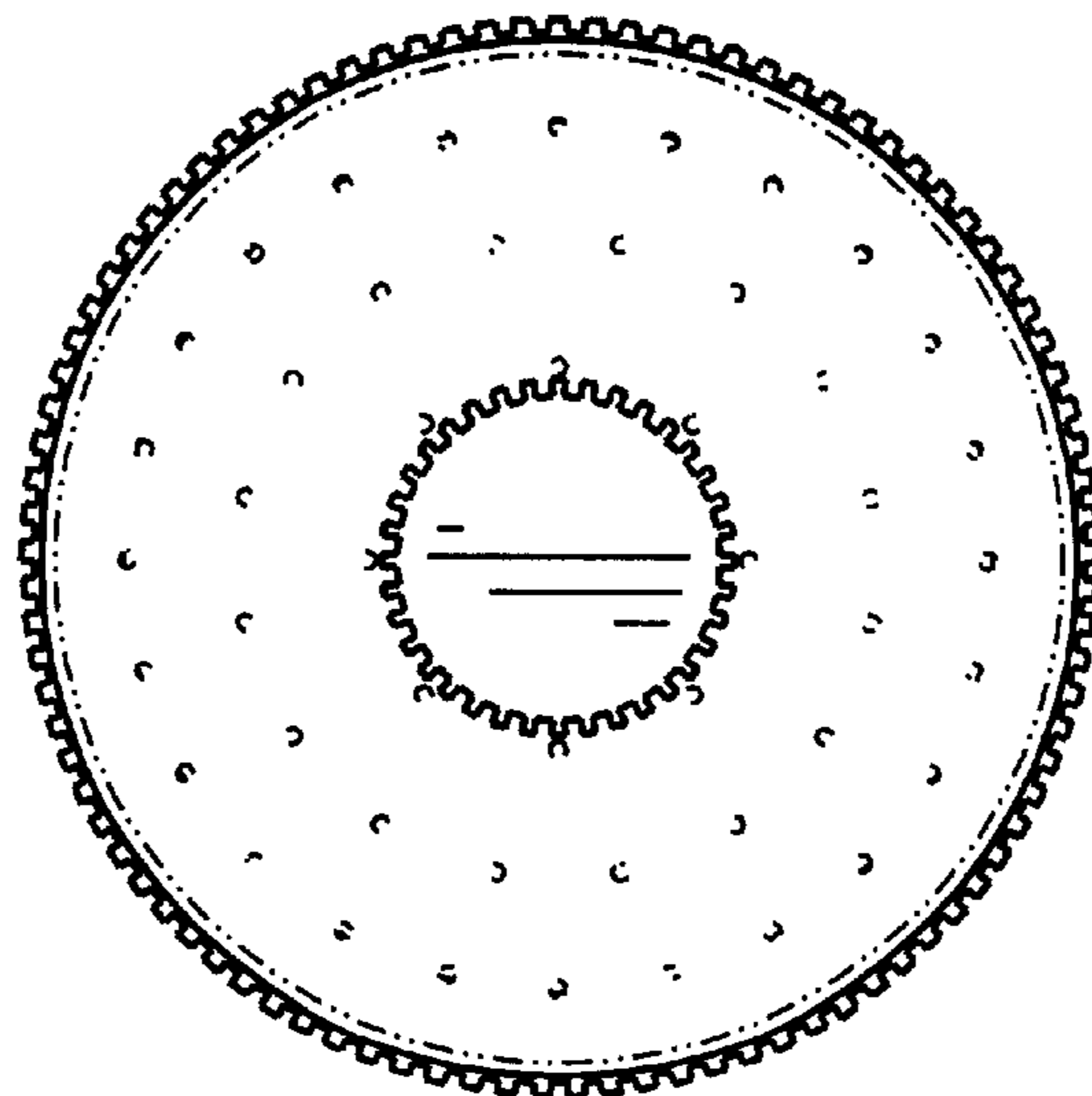


FIG. 3

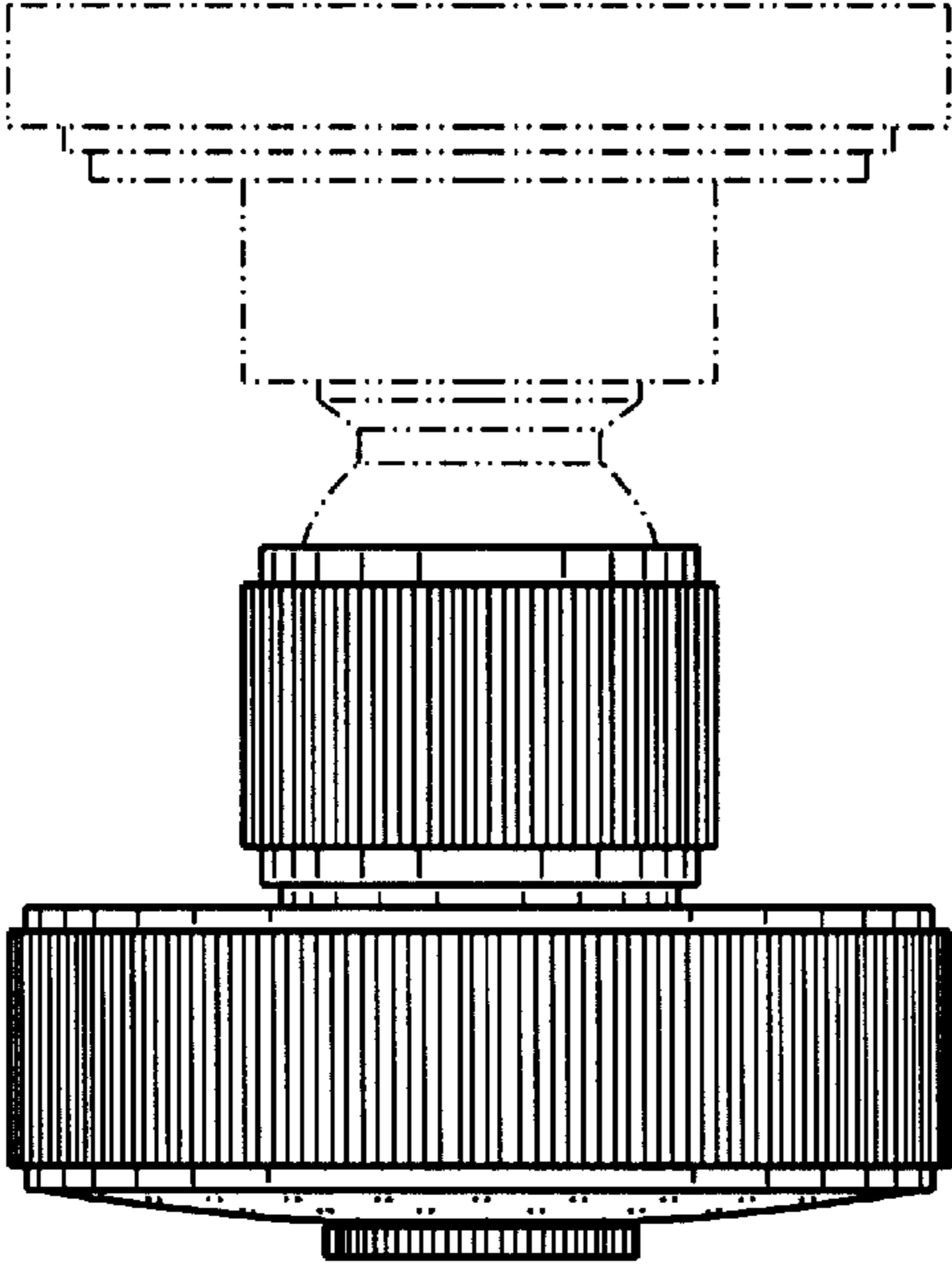
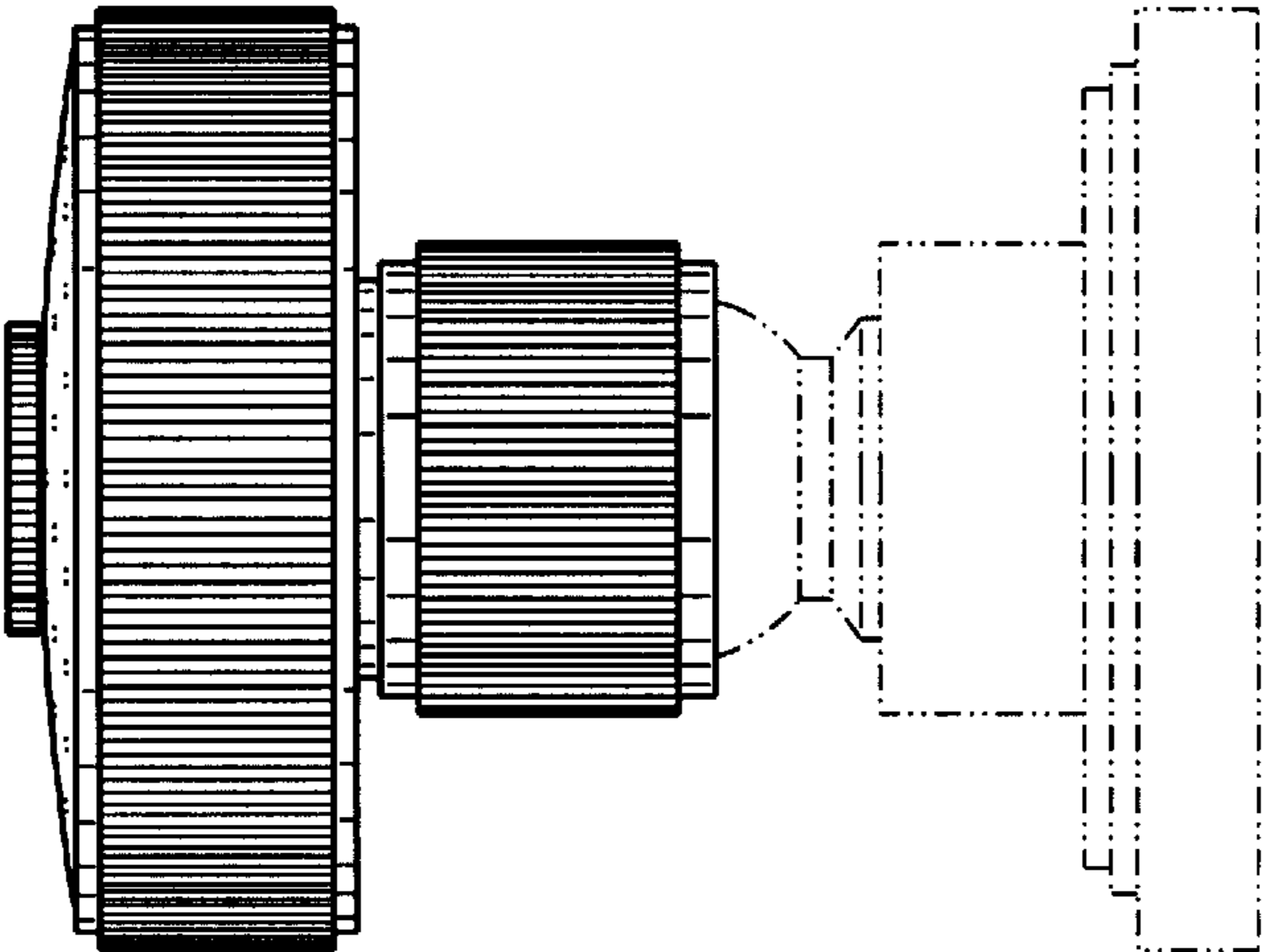


FIG. 4

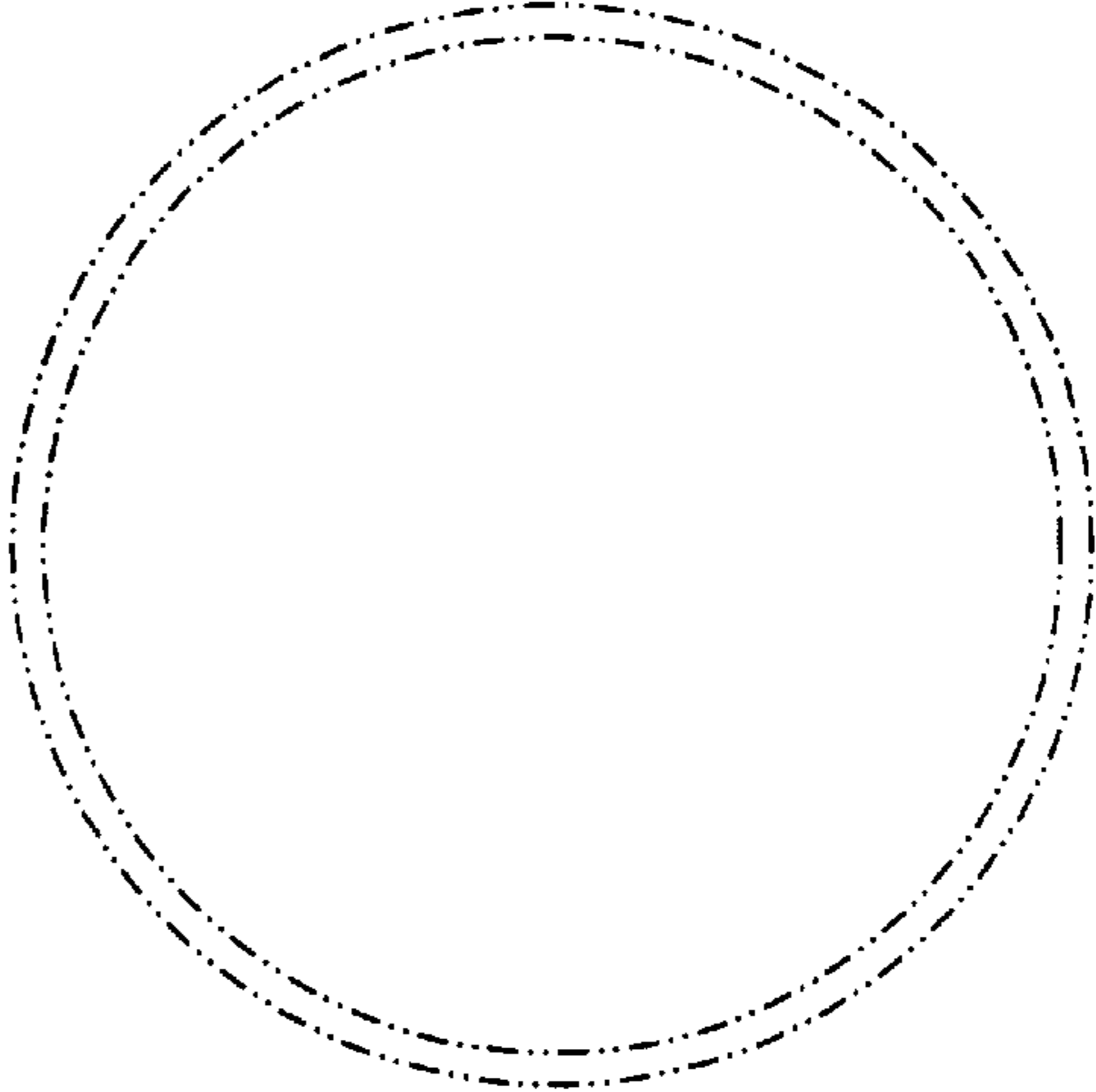


FIG. 5