

US00D531693S

(12) **United States Design Patent** (10) **Patent No.:** **US D531,693 S**
Warren et al. (45) **Date of Patent:** **** Nov. 7, 2006**

(54) **GUN SIGHT**

(76) Inventors: **Scott M. Warren**, 15702 Beacon Ct.,
Montclair, VA (US) 22026; **David J. Seigny**, 5671 Wandering Vine La.,
Mableton, GA (US) 30126

(**) Term: **14 Years**

(21) Appl. No.: **29/228,763**

(22) Filed: **Apr. 28, 2005**

(51) **LOC (8) Cl.** **22-01**

(52) **U.S. Cl.** **D22/109**

(58) **Field of Classification Search** D22/100,
D22/108-110, 199; 42/111-113, 124, 134-135;
89/161, 41.19, 200-204; 33/227

See application file for complete search history.

(56) **References Cited**

U.S. PATENT DOCUMENTS

1,363,553	A	12/1920	Barringer	
D273,217	S	3/1984	Swenson	
D296,227	S	6/1988	Novak	
D301,512	S	6/1989	Novak	
D305,146	S	12/1989	Novak	
D305,561	S	1/1990	Novak	
D315,776	S	3/1991	Novak	
D351,449	S	10/1994	Dagley	
D352,087	S	11/1994	Stevens et al.	
D361,366	S	* 8/1995	Emerson	D22/109
D363,334	S	* 10/1995	De Oliveira Masina	... D22/109
5,822,872	A	10/1998	Waki	
D403,734	S	1/1999	Kay	
D407,788	S	4/1999	Kay	
D420,088	S	* 2/2000	Sheehan	... D22/109
6,035,539	A	3/2000	Hollenbach et al.	
D428,102	S	* 7/2000	Flubacher et al.	... D22/109
D432,618	S	10/2000	Wilson	
D435,080	S	12/2000	Ling, Jr.	
D435,282	S	12/2000	Ling, Jr.	
D435,625	S	12/2000	Ling, Jr.	
D436,393	S	1/2001	Ling, Jr.	
6,216,351	B1	4/2001	Flubacher et al.	
6,230,414	B1	* 5/2001	Glock	... 42/139

D447,205	S	* 8/2001	Keng	... D22/109
D447,206	S	8/2001	Ling, Jr.	
D492,747	S	7/2004	LoRocco	
6,834,457	B1	* 12/2004	Warren	... 42/141
D512,118	S	* 11/2005	Warren	... D22/109
D512,760	S	* 12/2005	Warren	... D22/109
D512,761	S	* 12/2005	Warren	... D22/109
D515,170	S	* 2/2006	Price	... D22/109
D520,099	S	* 5/2006	Warren	... D22/109
D520,592	S	* 5/2006	Warren	... D22/109
D521,101	S	* 5/2006	Warren	... D22/109
D521,591	S	* 5/2006	Warren	... D22/109

OTHER PUBLICATIONS

Wilson Combat 2001 Master Catalog, cover and selected pp. 71-73.

* cited by examiner

Primary Examiner—Ian Simmons

Assistant Examiner—Melanie Levy

(74) *Attorney, Agent, or Firm*—Fay, Sharpe, Fagan, Minnich & McKee, LLP

(57) **CLAIM**

We claim the ornamental design for a gun sight, as shown and described.

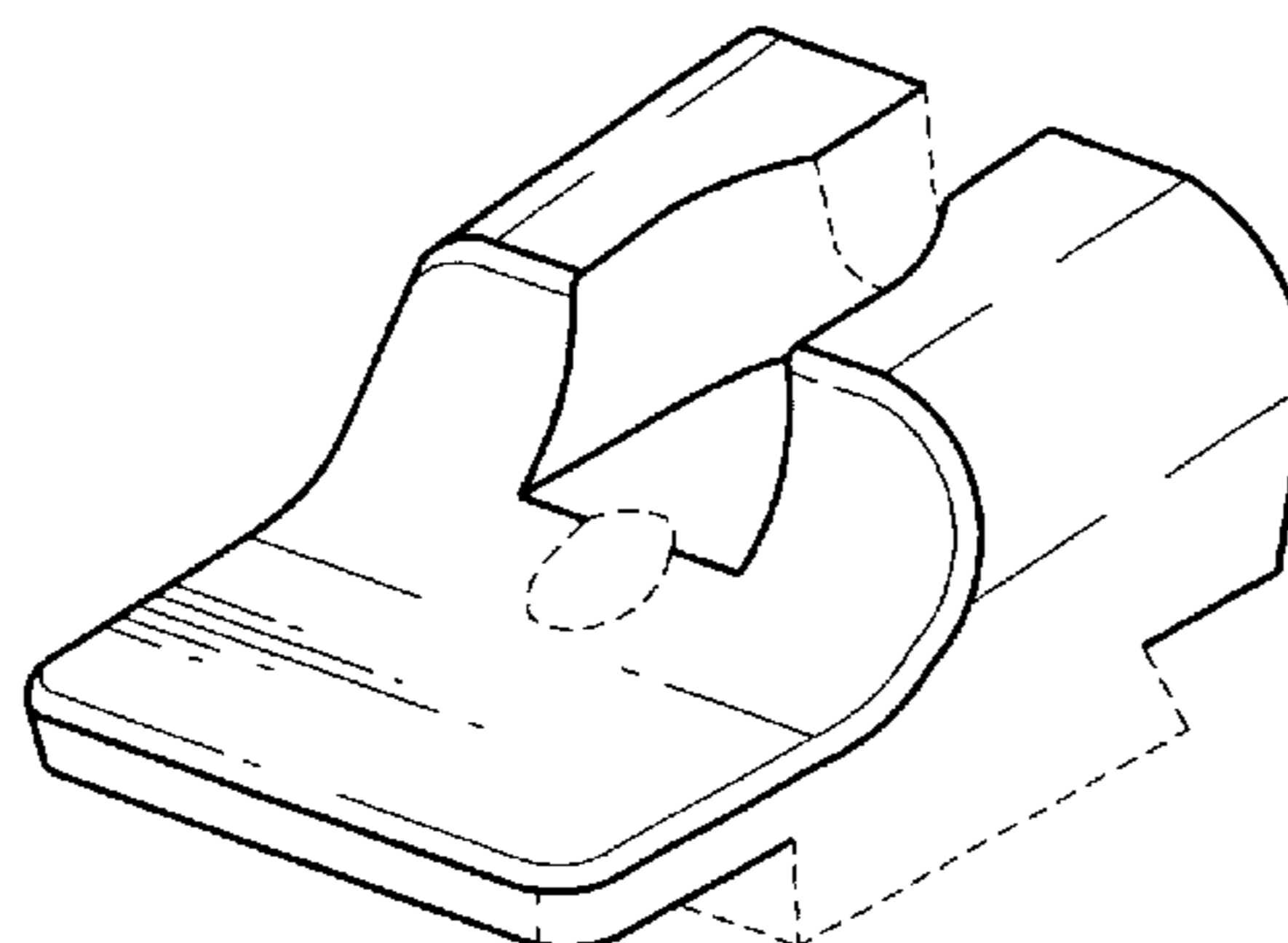
DESCRIPTION

FIG. 1 is a front perspective view of a rear gun sight according to the present invention showing our new design; FIG. 2 is a top plan view thereof; FIG. 3 is a front elevational view thereof; FIG. 4 is a right-side elevational view thereof looking at the sight from the front, the left-side elevational view being a mirror image of the right side; and, FIG. 5 is a rear elevational view thereof.

The bottom side has no ornamentation and therefore is not shown.

The broken lines showing the notch, mounting arrangement and sight dots are for illustrative purposes only and do not form a part of the claimed design.

1 Claim, 1 Drawing Sheet



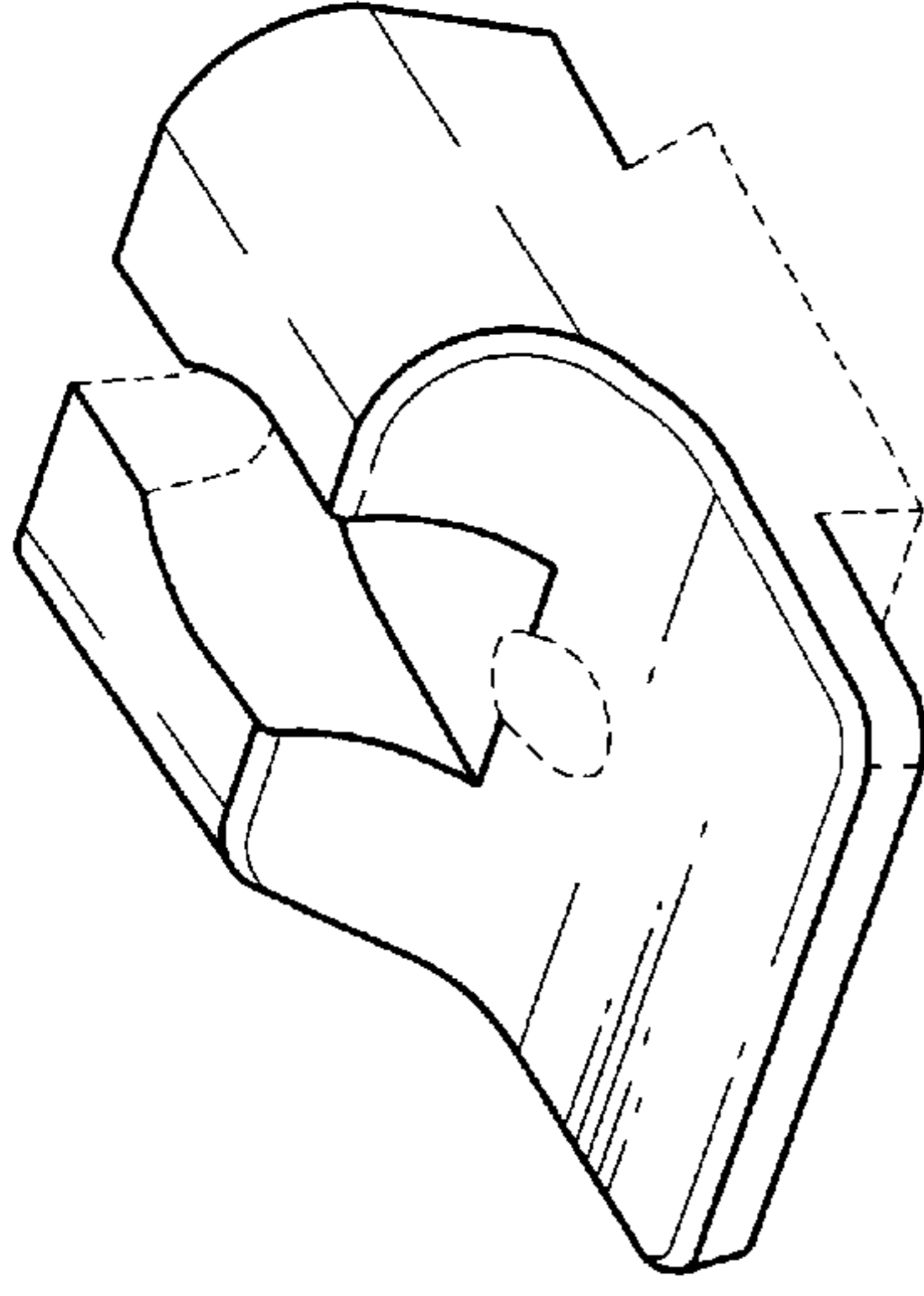


FIG. 1

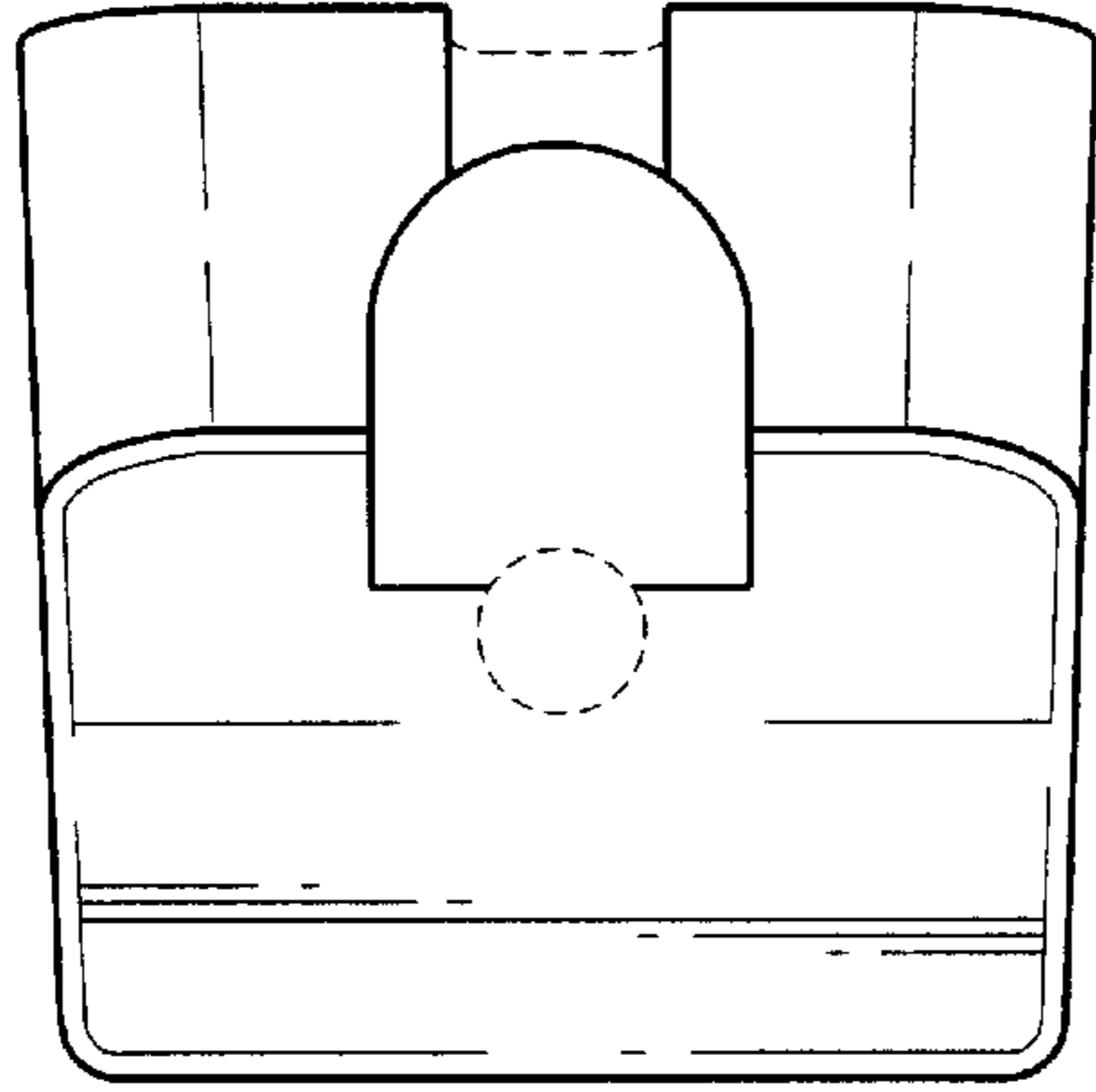


FIG. 2

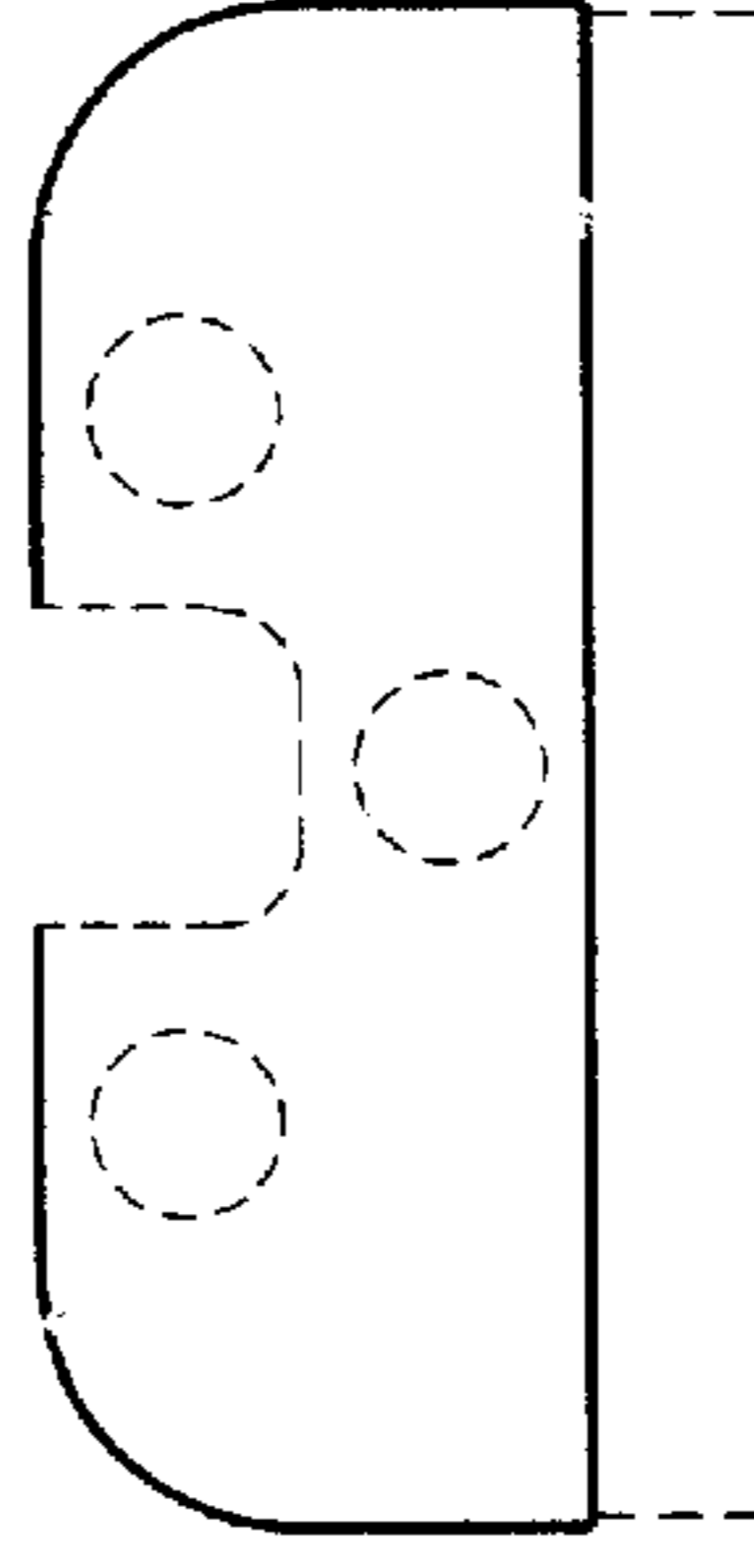


FIG. 5

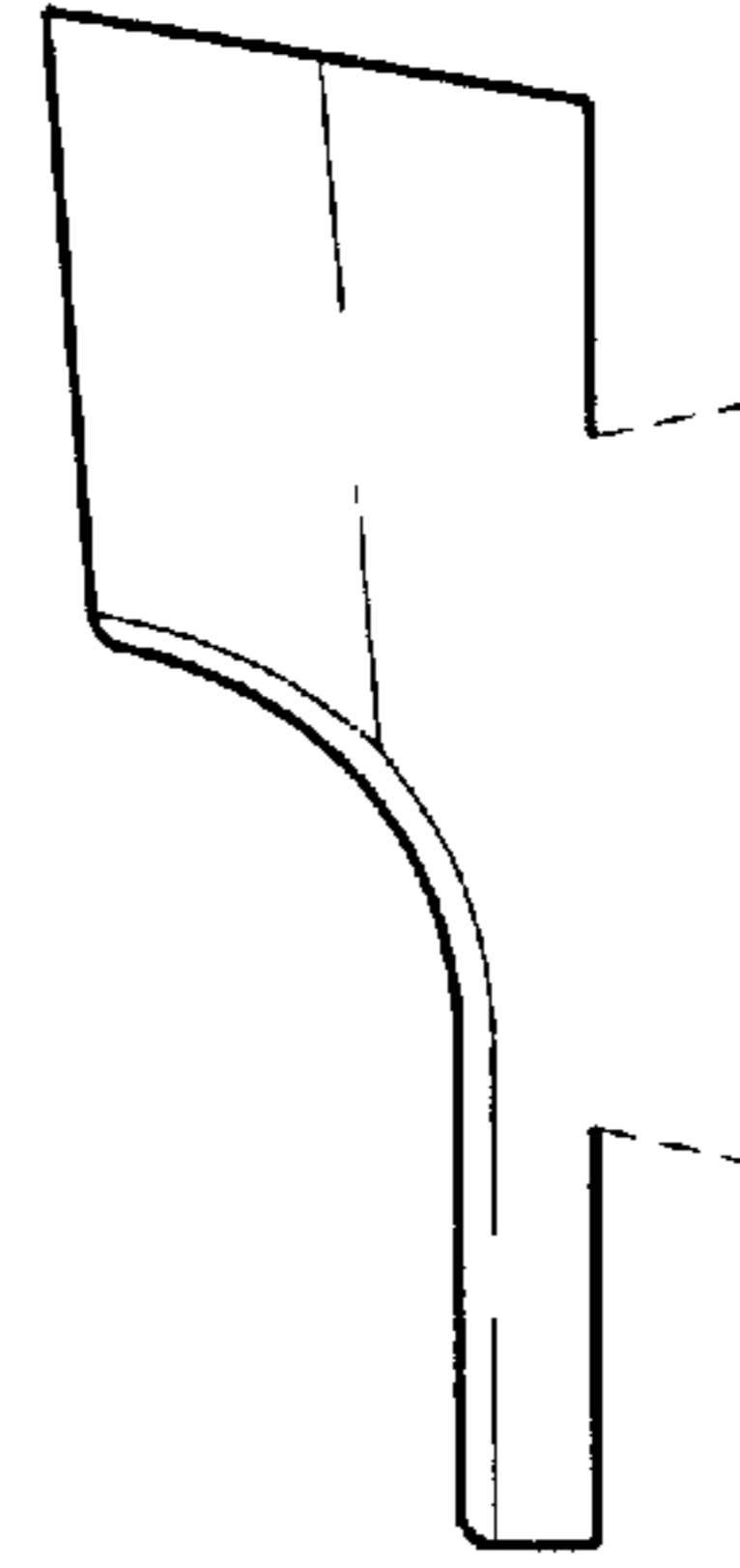


FIG. 4

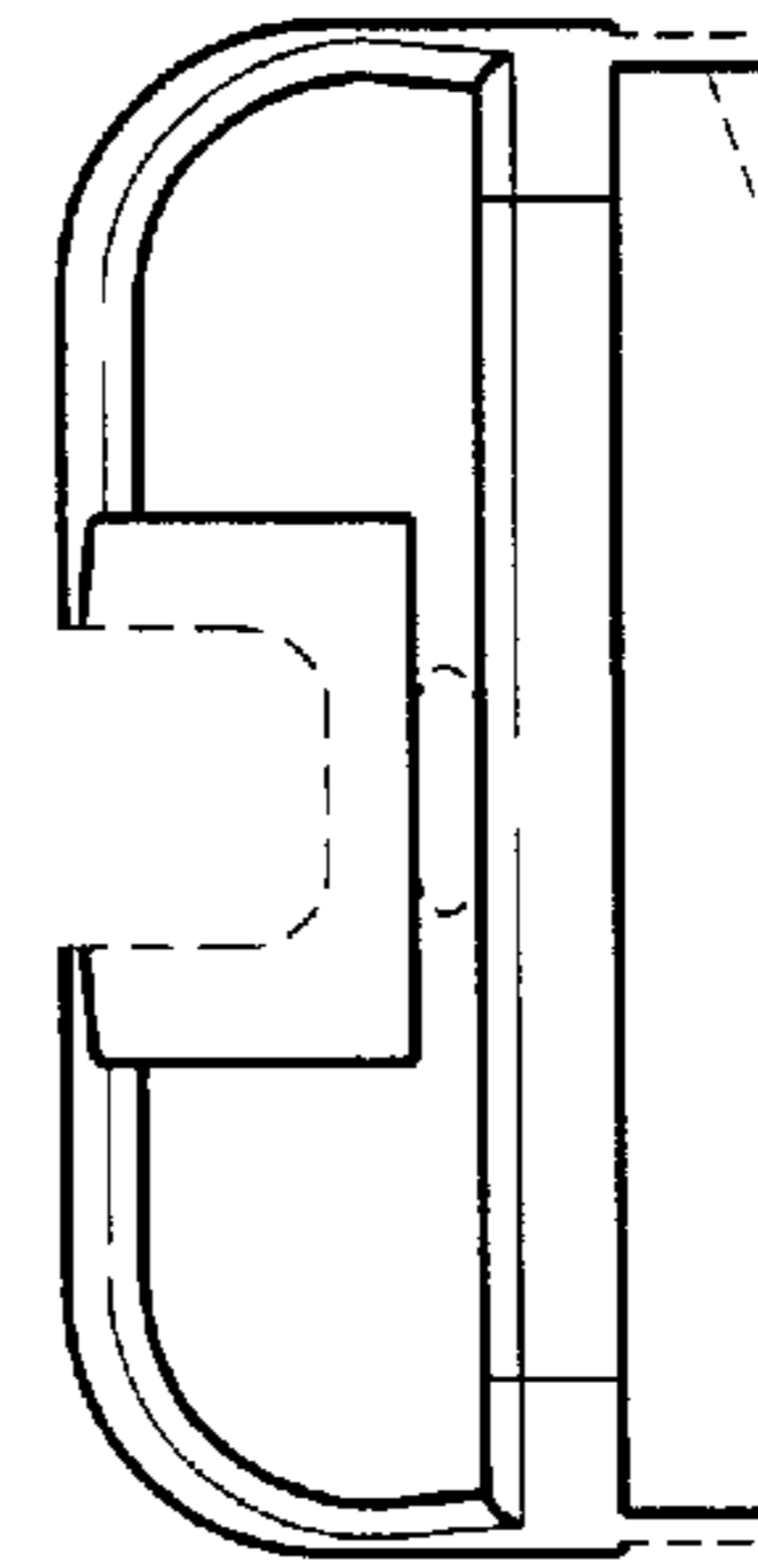


FIG. 3