

US00D531689S

(12) **United States Design Patent**  
**Gilbert et al.**

(10) **Patent No.:** **US D531,689 S**

(45) **Date of Patent:** **\*\* Nov. 7, 2006**

(54) **GOLF CLUB CAVITY**

(75) Inventors: **Peter J. Gilbert**, Carlsbad, CA (US);  
**John Kelley**, San Francisco, CA (US);  
**Christopher R. Kays**, San Marcos, CA  
(US); **Bruce R. Pettibone**, Carlsbad,  
CA (US)

(73) Assignee: **Acushnet Company**, Fairhaven, MA  
(US)

(\*\*) Term: **14 Years**

(21) Appl. No.: **29/240,669**

(22) Filed: **Oct. 17, 2005**

(51) **LOC (8) Cl.** ..... **21-02**

(52) **U.S. Cl.** ..... **D21/759**

(58) **Field of Classification Search** ..... D21/747-751,  
D21/759; 473/324-331, 350  
See application file for complete search history.

(56) **References Cited**

**U.S. PATENT DOCUMENTS**

D383,820 S \* 9/1997 Watanabe ..... D21/749  
D435,278 S \* 12/2000 Reed et al. .... D21/747

D466,576 S \* 12/2002 Nagai et al. .... D21/759  
D490,490 S 5/2004 Gilbert et al.  
D490,871 S 6/2004 Gilbert et al.  
D511,360 S \* 11/2005 Kawami ..... D21/747  
D512,475 S \* 12/2005 Madore ..... D21/759  
D516,152 S \* 2/2006 Madore ..... D21/759  
D517,626 S \* 3/2006 Gilbert et al. .... D21/747

\* cited by examiner

*Primary Examiner*—Mitchell Siegel

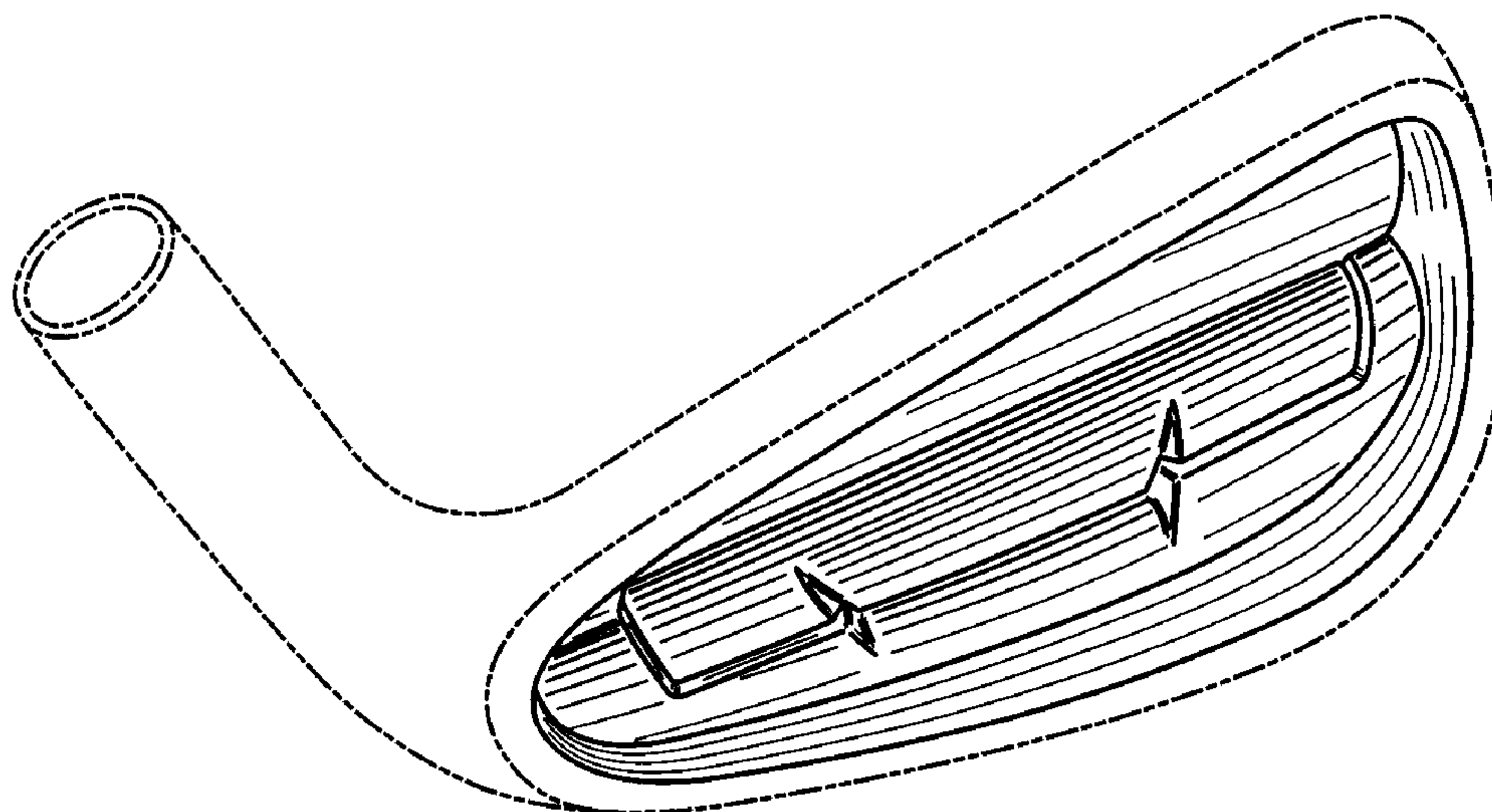
(57) **CLAIM**

The ornamental design for a golf club cavity, as shown and described.

**DESCRIPTION**

FIG. 1 is a heel side perspective view of our new golf club cavity;  
FIG. 2 is a toe side perspective view thereof;  
FIG. 3 is a bottom perspective view thereof;  
FIG. 4 is a toe side view thereof; and,  
FIG. 5 is a back side view thereof.  
The portion of the golf club shown in phantom does not form any portion of the present invention.

**1 Claim, 2 Drawing Sheets**



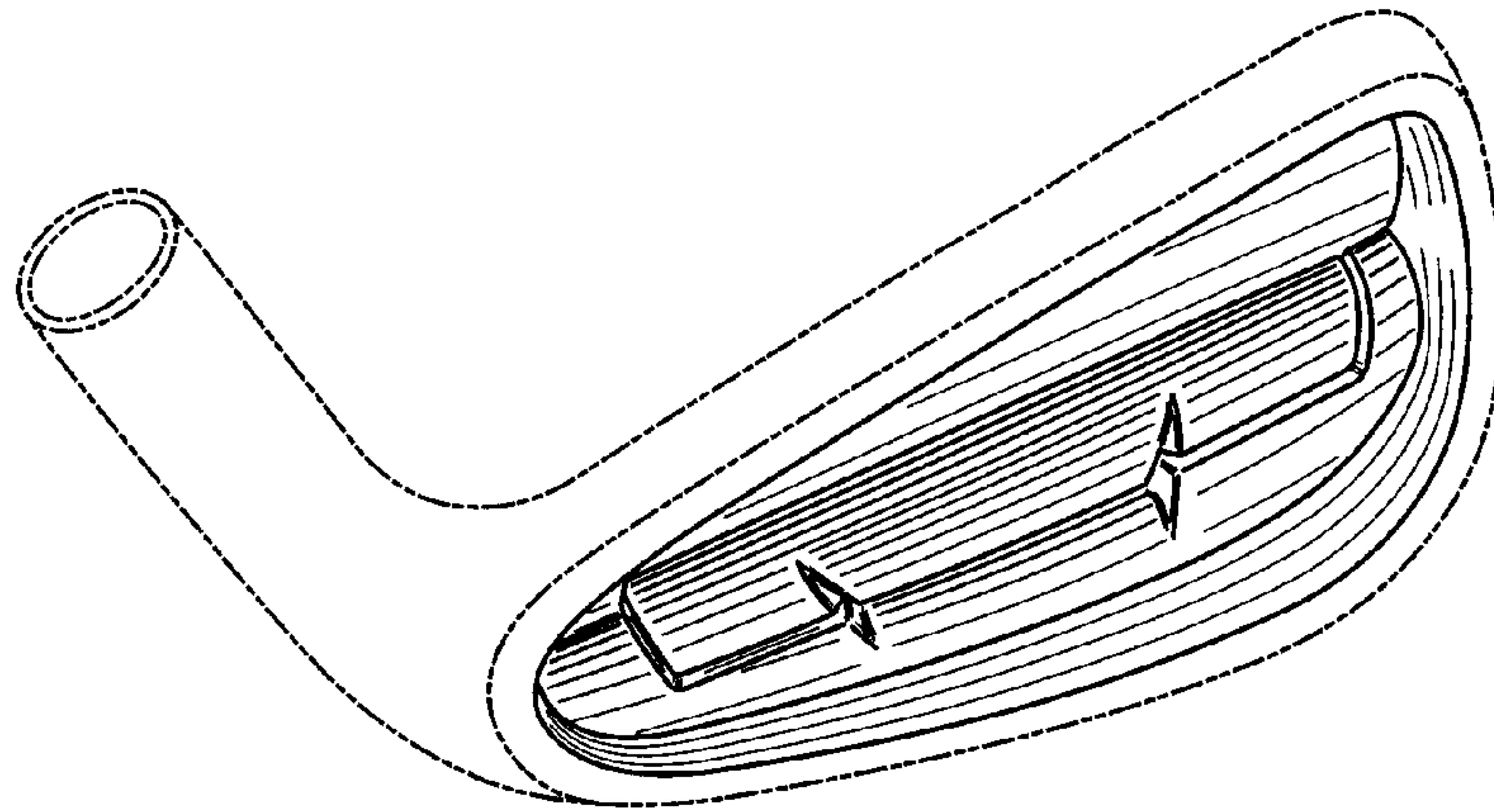


FIG. 1

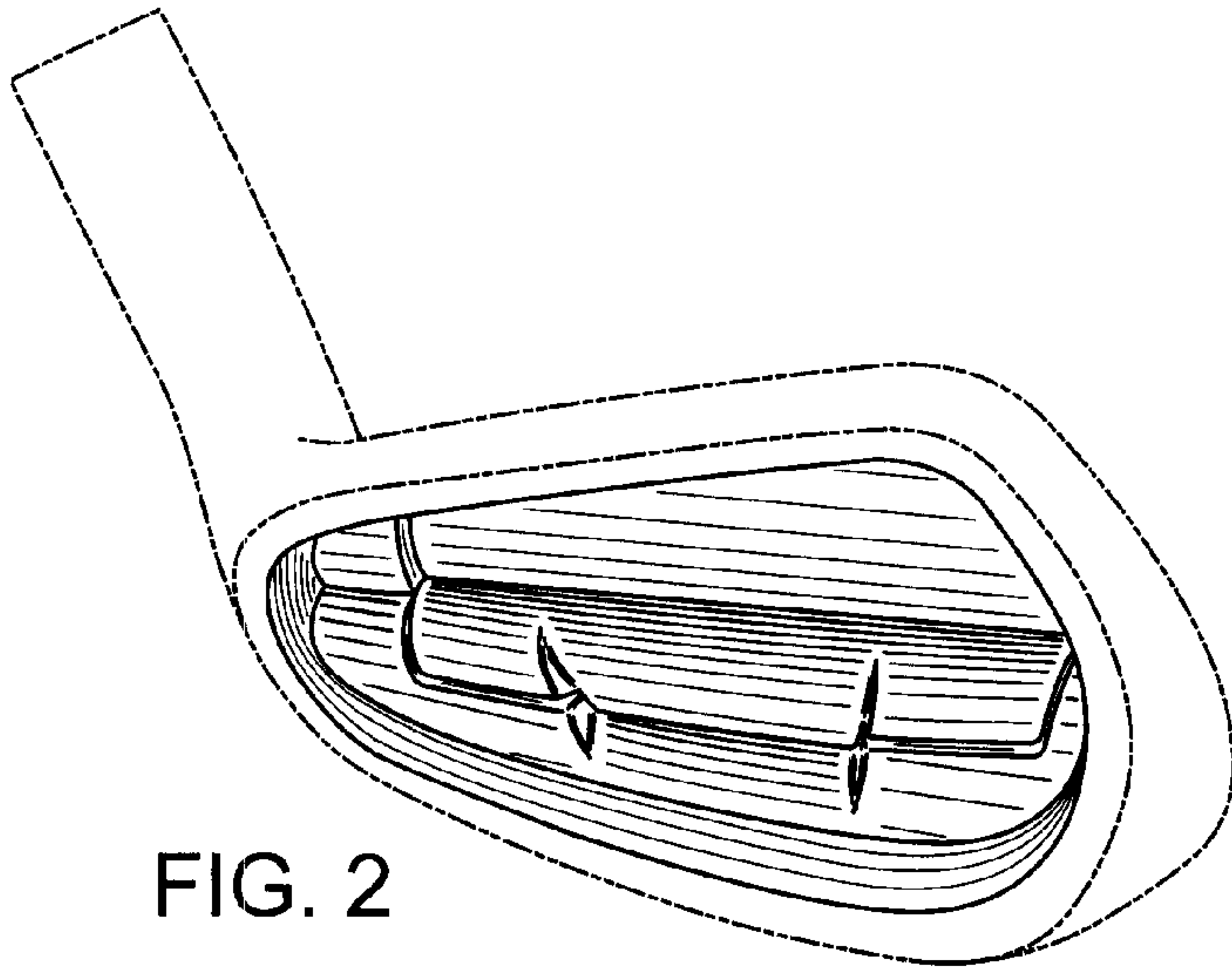


FIG. 2

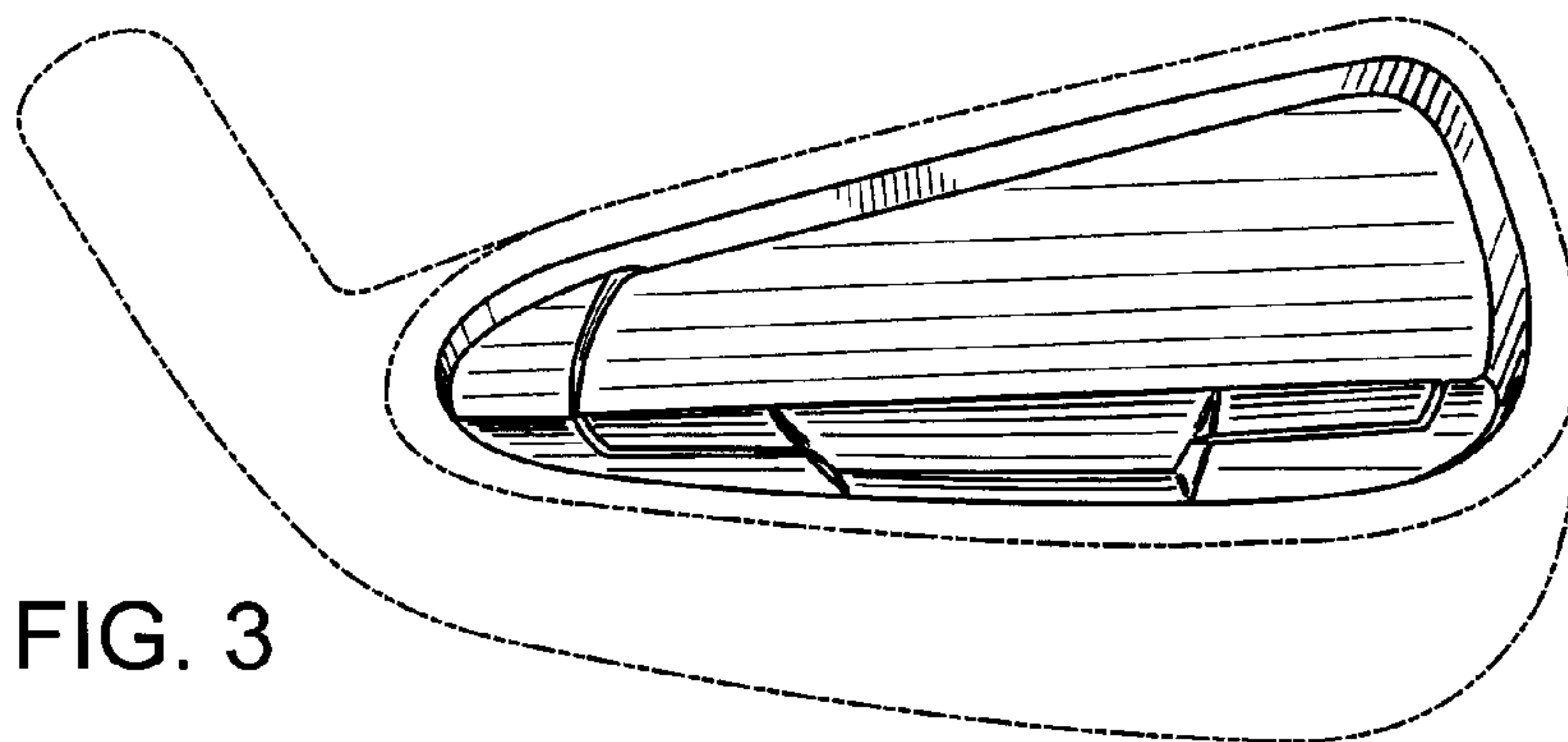


FIG. 3

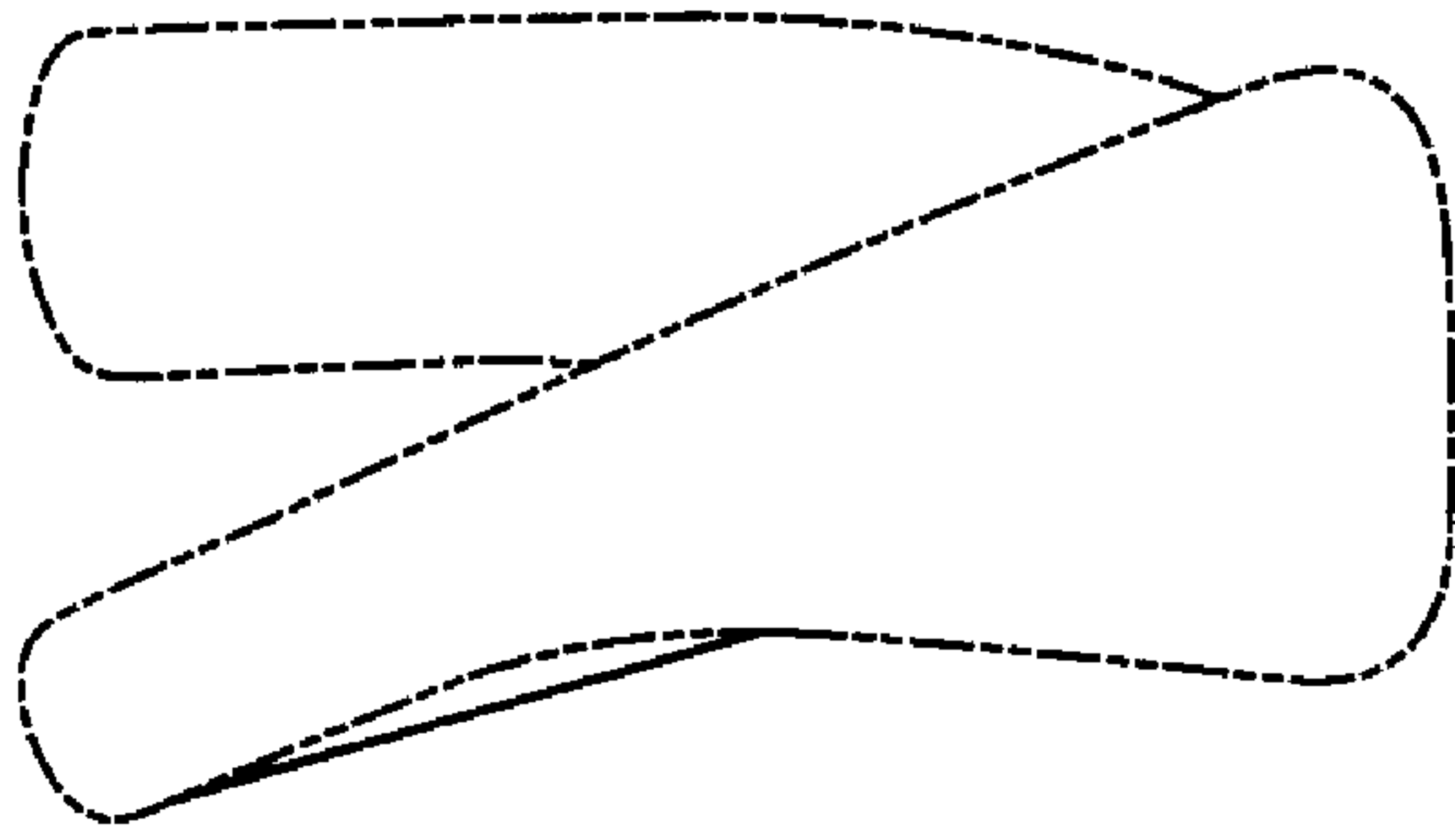


FIG. 5

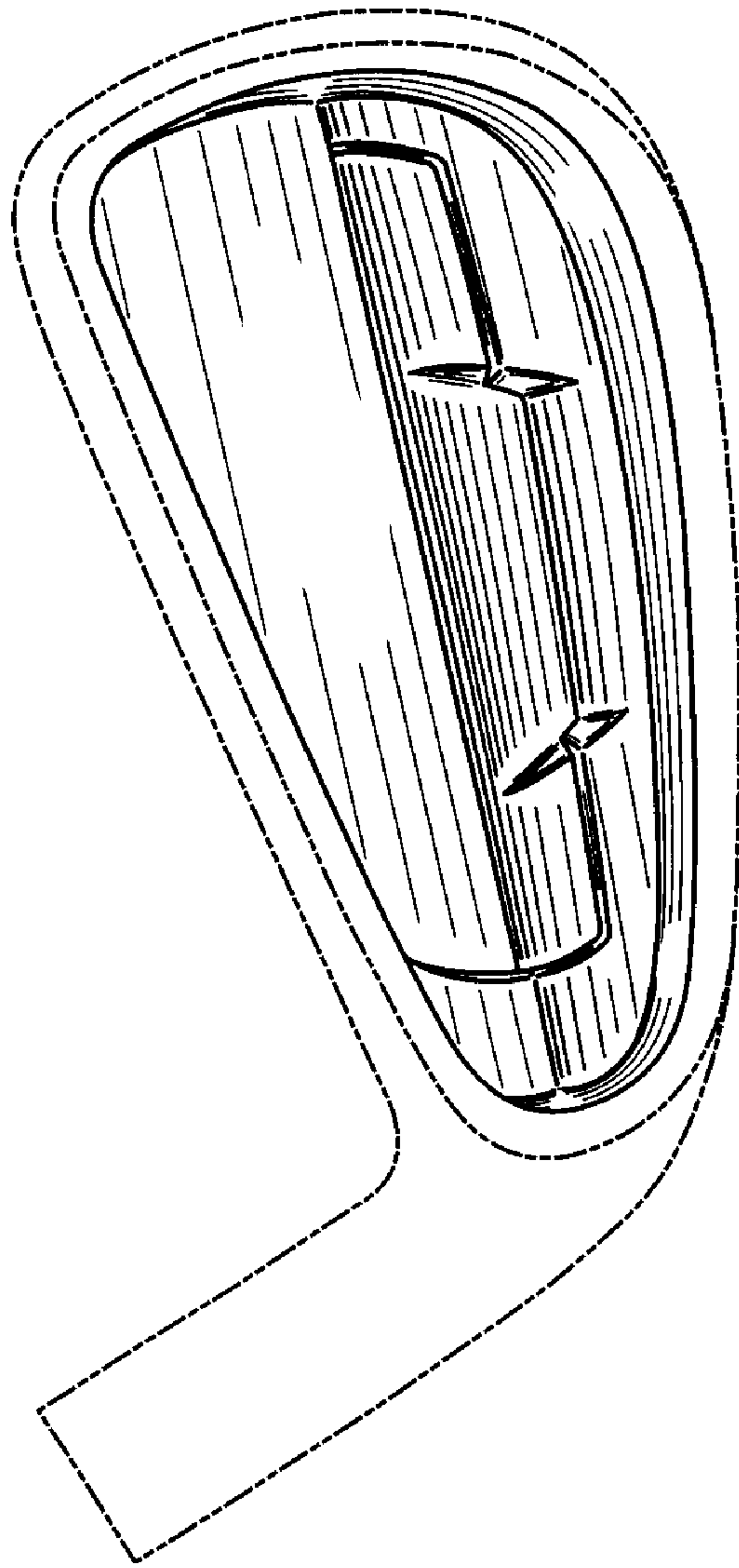


FIG. 4