



US00D531688S

(12) **United States Design Patent**
Frame et al.

(10) **Patent No.:** **US D531,688 S**

(45) **Date of Patent:** **** Nov. 7, 2006**

(54) **IRON GOLF CLUB HEAD**

(75) Inventors: **Nicholas Frame**, Vista, CA (US);
Marni Ines, San Marcos, CA (US);
Jose Mirafior, Oceanside, CA (US);
Bret H. Wahl, Escondido, CA (US);
Michael Walker, Vista, CA (US)

(73) Assignee: **Taylor Made Golf Company, Inc.**,
Carlsbad, CA (US)

(**) Term: **14 Years**

(21) Appl. No.: **29/241,379**

(22) Filed: **Oct. 25, 2005**

(51) **LOC (8) Cl.** **21-02**

(52) **U.S. Cl.** **D21/747**

(58) **Field of Classification Search** D21/747-751;
473/324-331, 350
See application file for complete search history.

(56) **References Cited**

U.S. PATENT DOCUMENTS

D389,540 S	*	1/1998	Mendenhall	D21/750
5,879,242 A	*	3/1999	Mendenhall	473/328
D444,195 S		6/2001	Wahl et al.		
D445,157 S		7/2001	Jones et al.		
D468,382 S		1/2003	Wahl et al.		
6,551,200 B1		4/2003	Golden et al.		
D476,708 S		7/2003	Wahl et al.		
6,592,468 B1		7/2003	Vincent et al.		
6,616,547 B1		9/2003	Vincent et al.		
D488,201 S		4/2004	Wahl et al.		
D489,106 S		4/2004	Wahl et al.		
6,719,642 B1		4/2004	Wahl et al.		

D496,973 S		10/2004	Wahl et al.		
6,811,496 B1		11/2004	Wahl et al.		
D501,035 S		1/2005	Wahl et al.		
D513,051 S		12/2005	Barez et al.		
D514,185 S		1/2006	Barez et al.		
D517,626 S	*	3/2006	Gilbert et al.	D21/747

* cited by examiner

Primary Examiner—Mitchell Siegel

(74) *Attorney, Agent, or Firm*—Klarquist Sparkman, LLP

(57) **CLAIM**

We claim the ornamental design for an iron golf club head, as shown and described.

DESCRIPTION

FIG. 1 is a perspective view of an iron golf club head, as viewed from the rear, bottom, and one side thereof, according to one embodiment.

FIG. 2 is a bottom plan view of the iron golf club head of FIG. 1.

FIG. 3 is a top plan view of the iron golf club head of FIG. 1.

FIG. 4 is a side elevation view of the heel of the iron golf club head of FIG. 1.

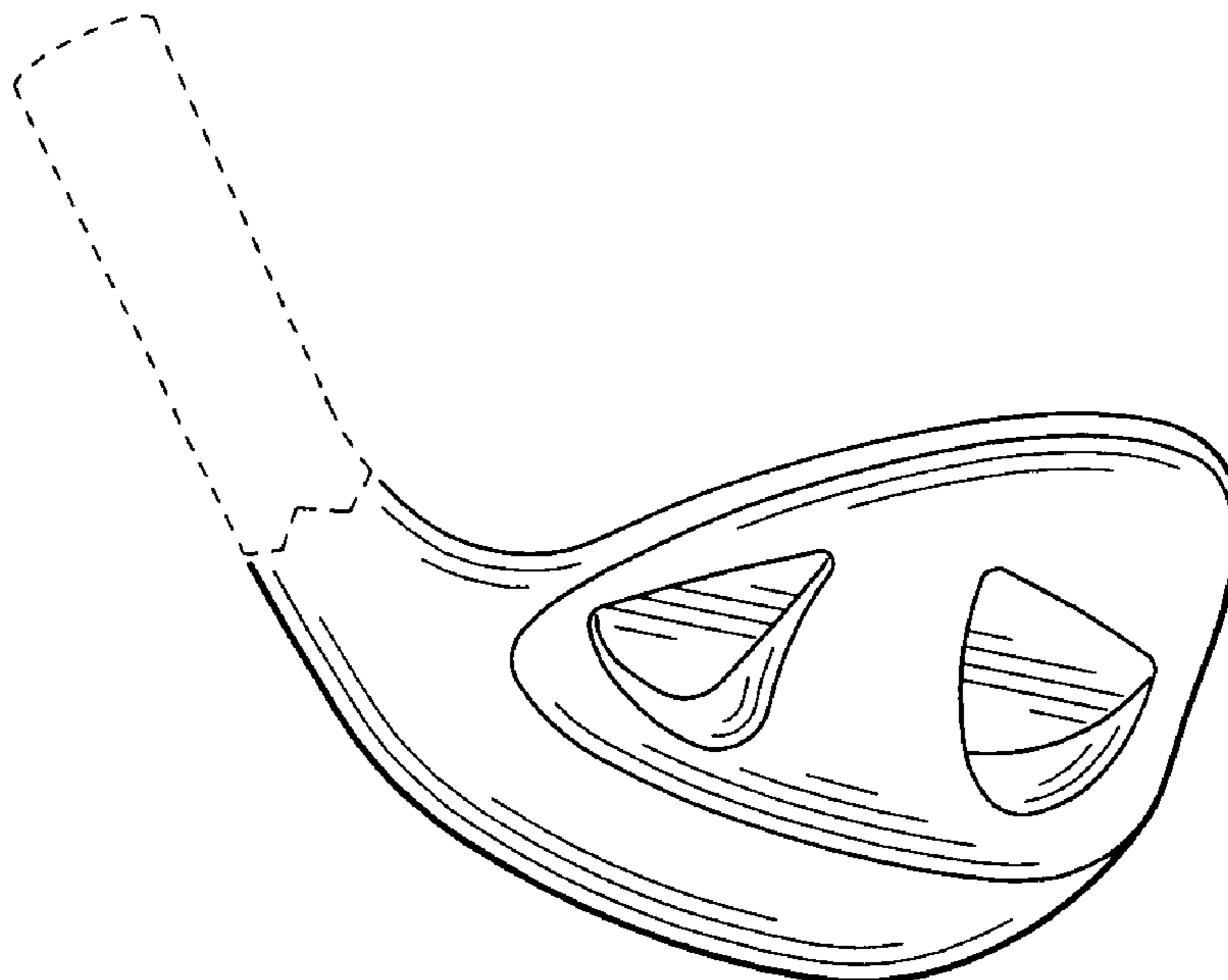
FIG. 5 is a side elevation view of the toe of the iron golf club head of FIG. 1.

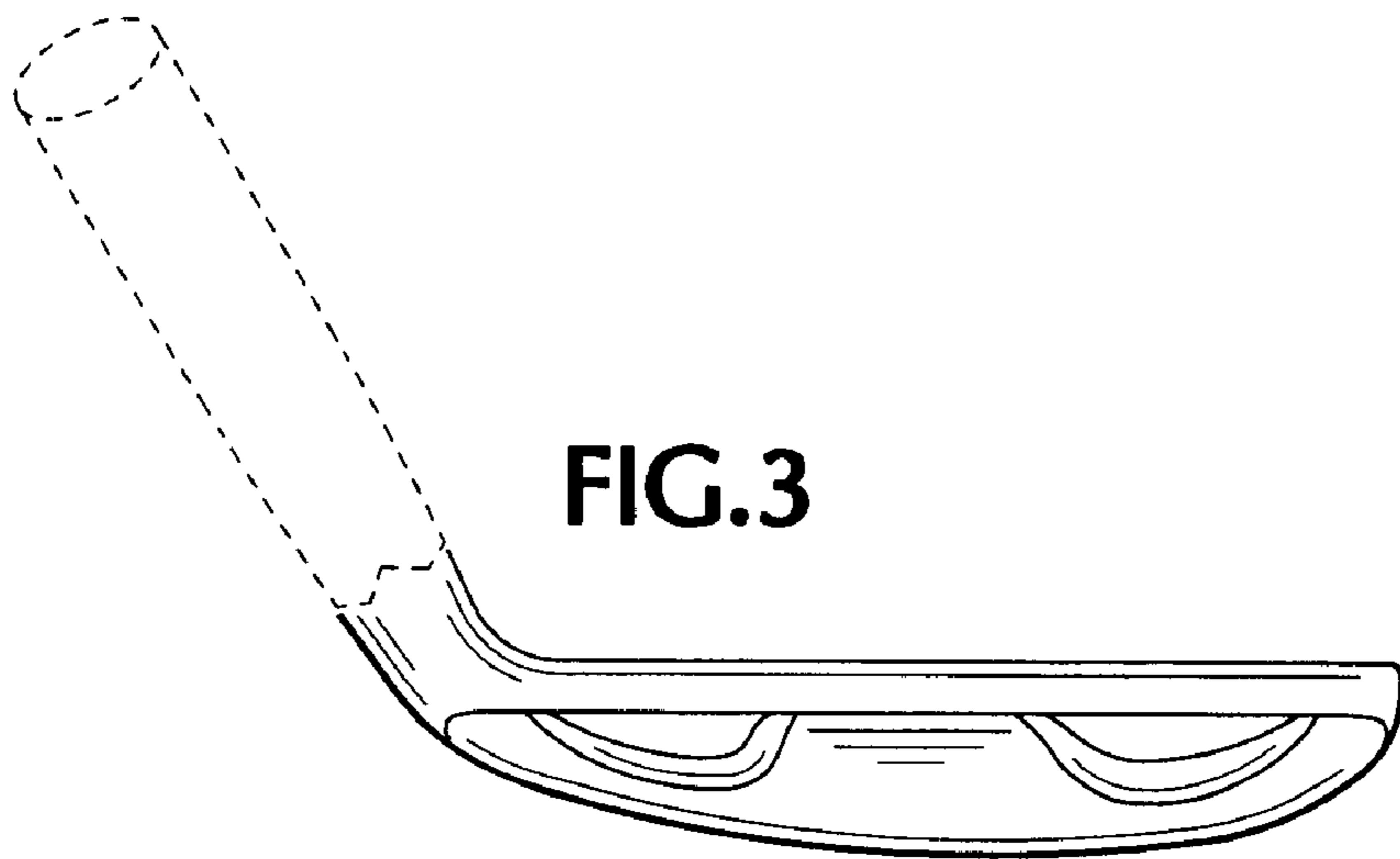
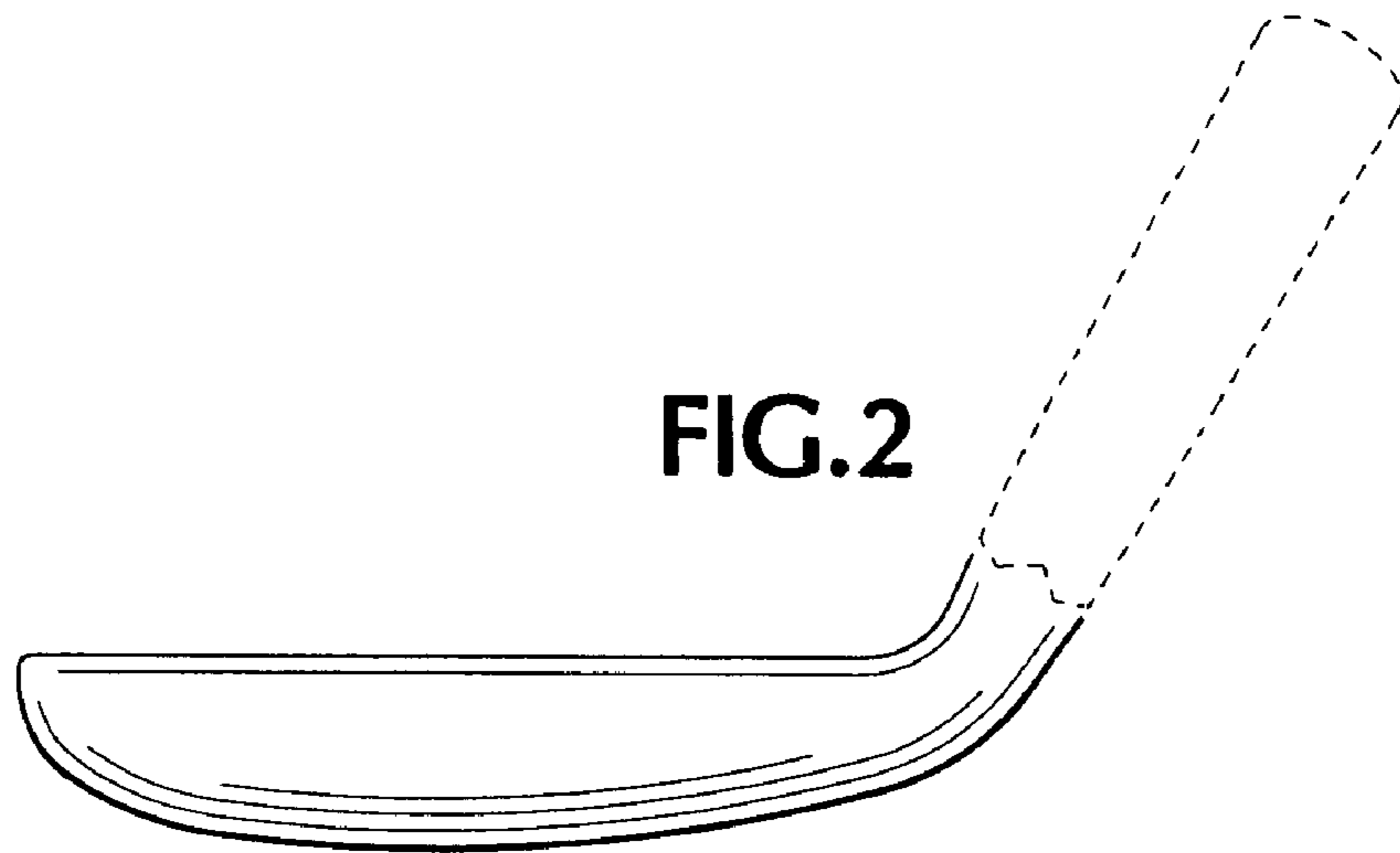
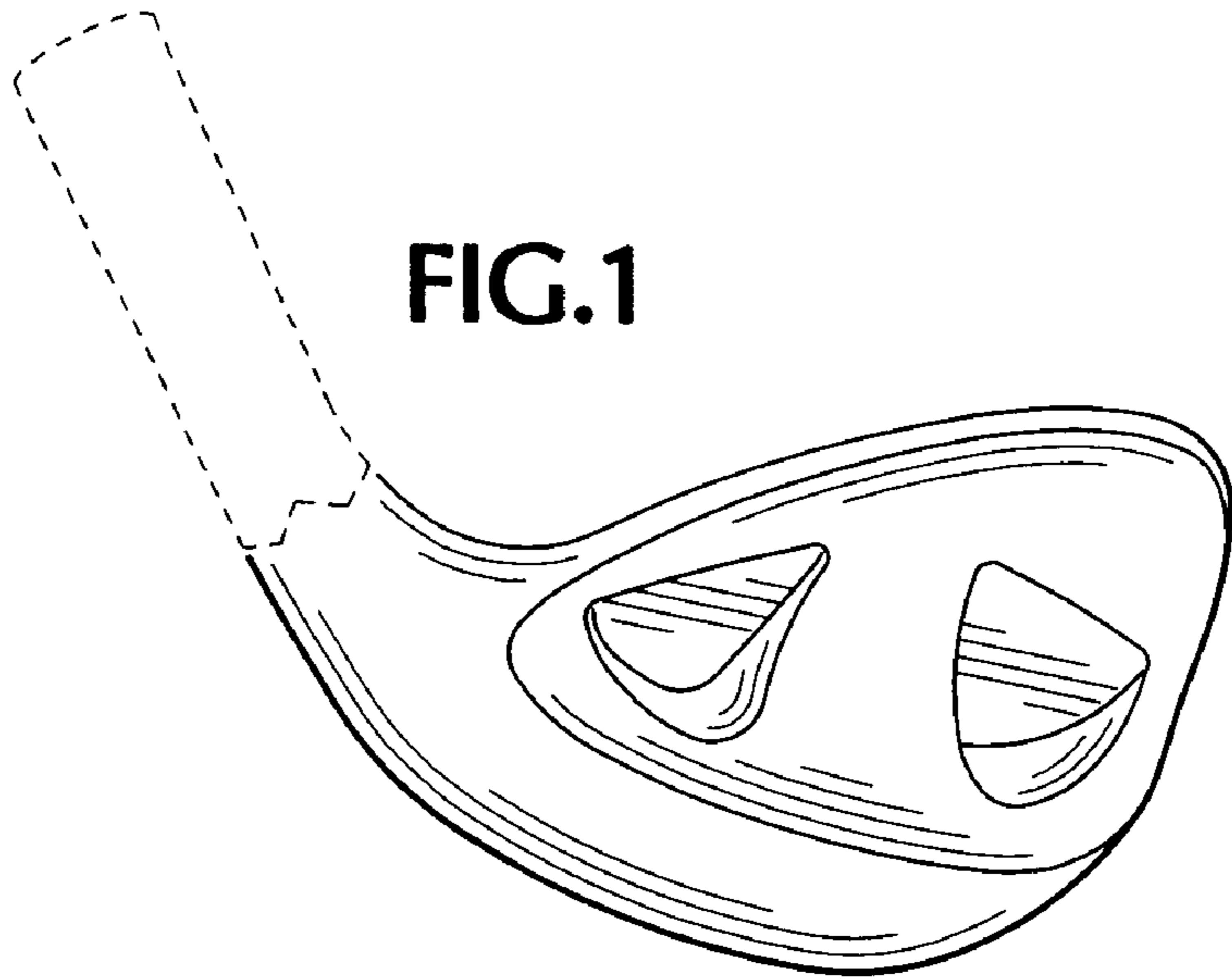
FIG. 6 is a front elevation view of the iron golf club head of FIG. 1; and,

FIG. 7 is a rear elevation view of the iron golf club head of FIG. 1.

The dashed lines in the drawings are for illustrative purposes only and form no part of the claimed design.

1 Claim, 2 Drawing Sheets





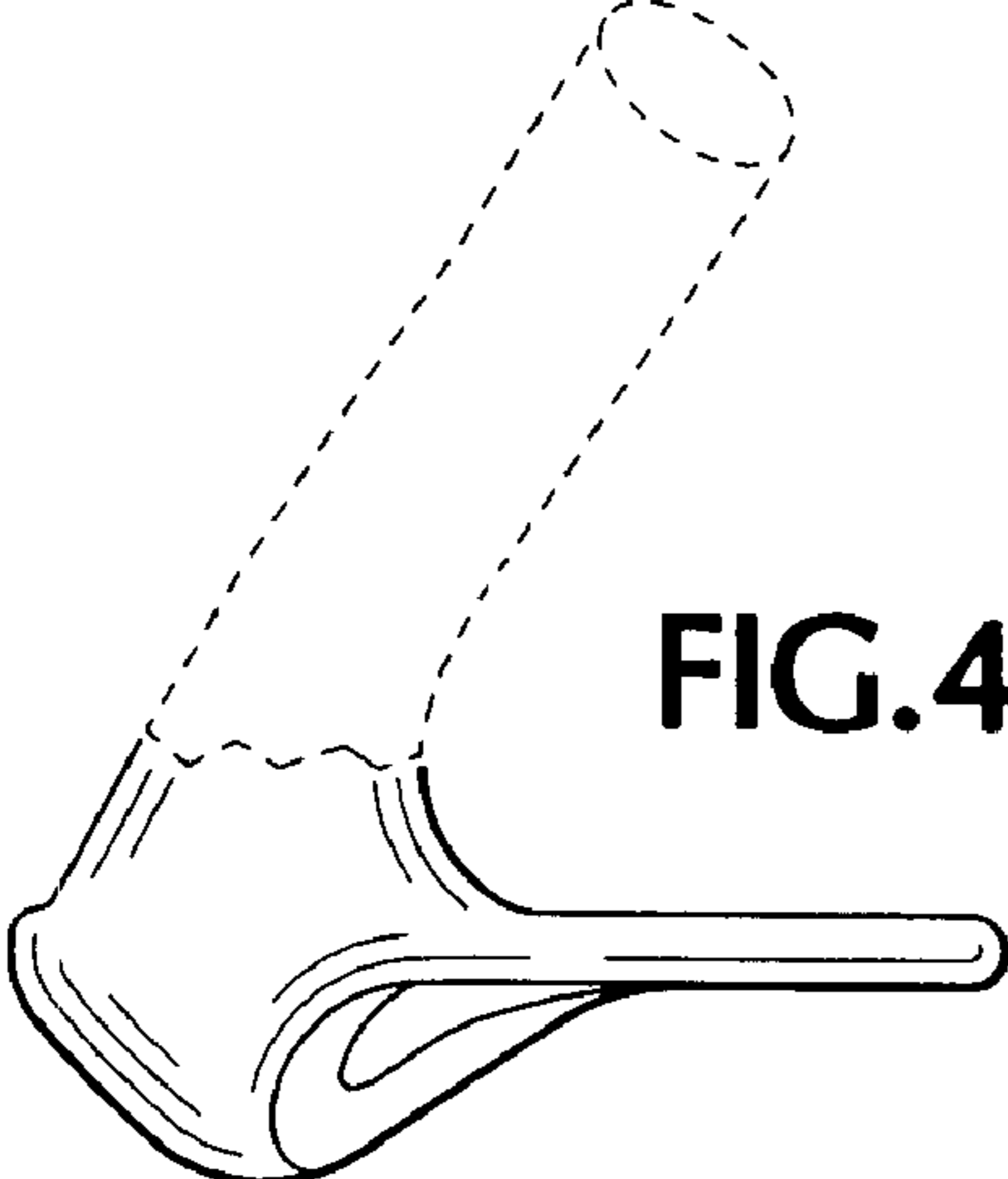


FIG. 4

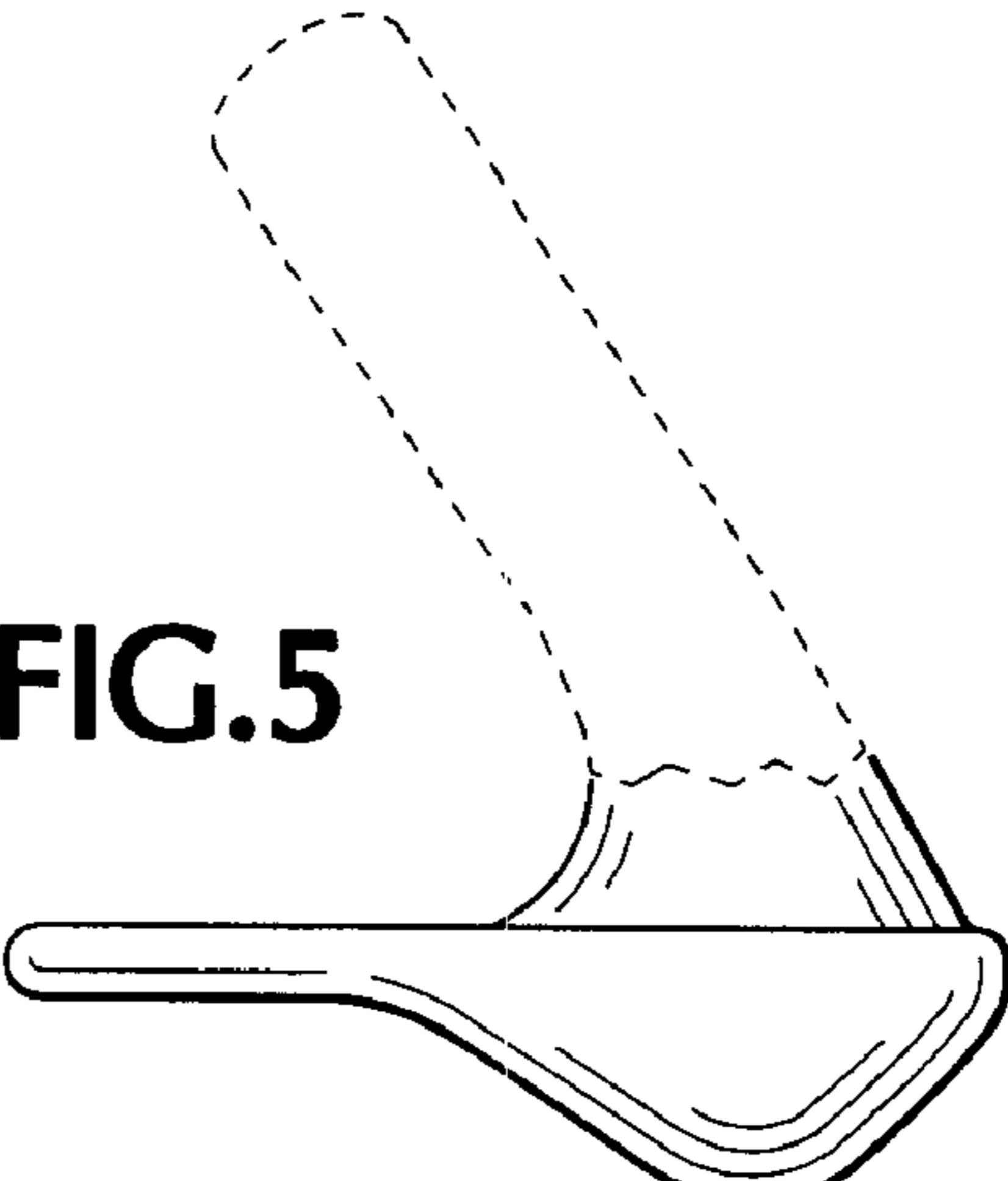


FIG. 5

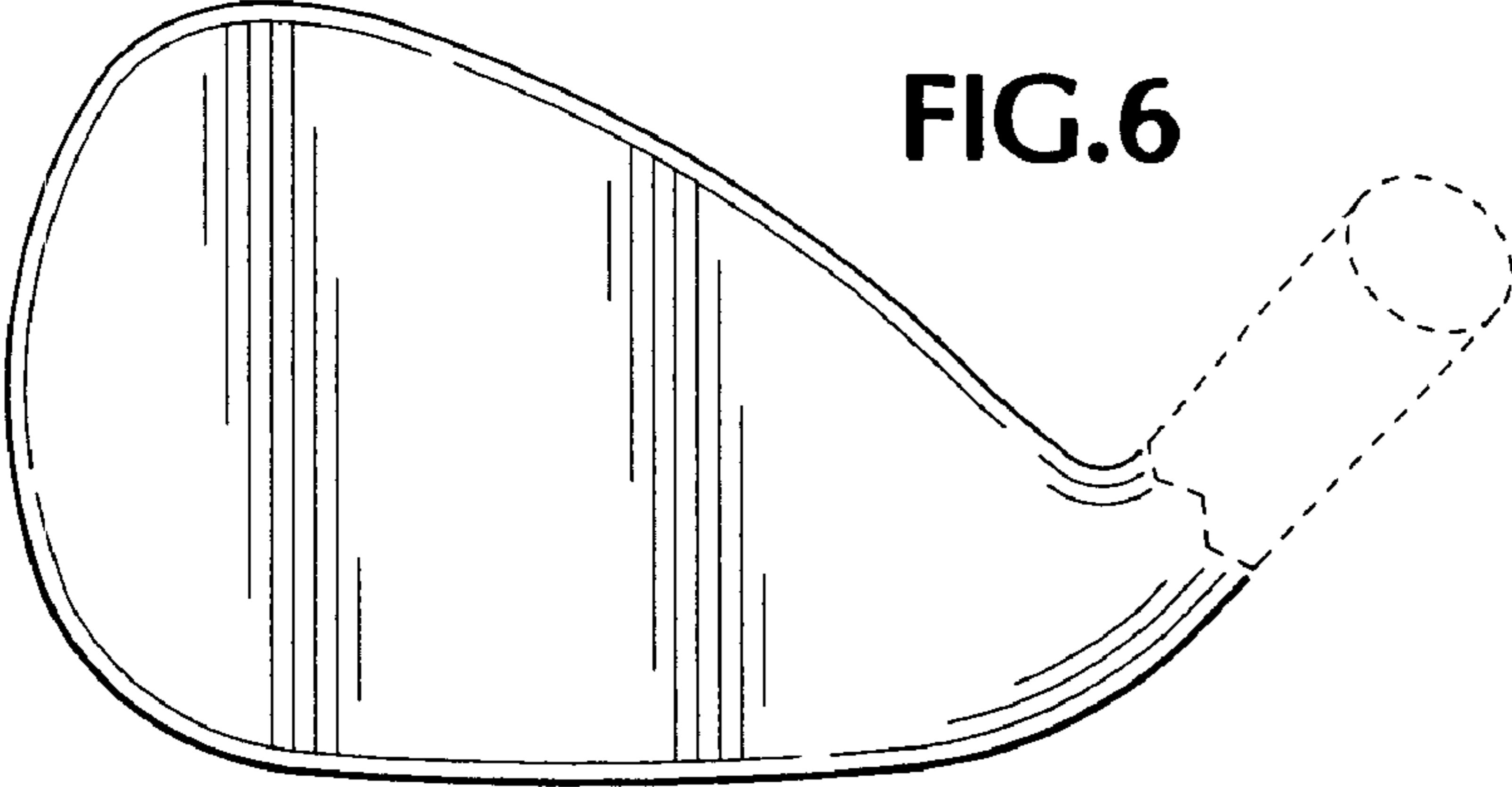


FIG. 6

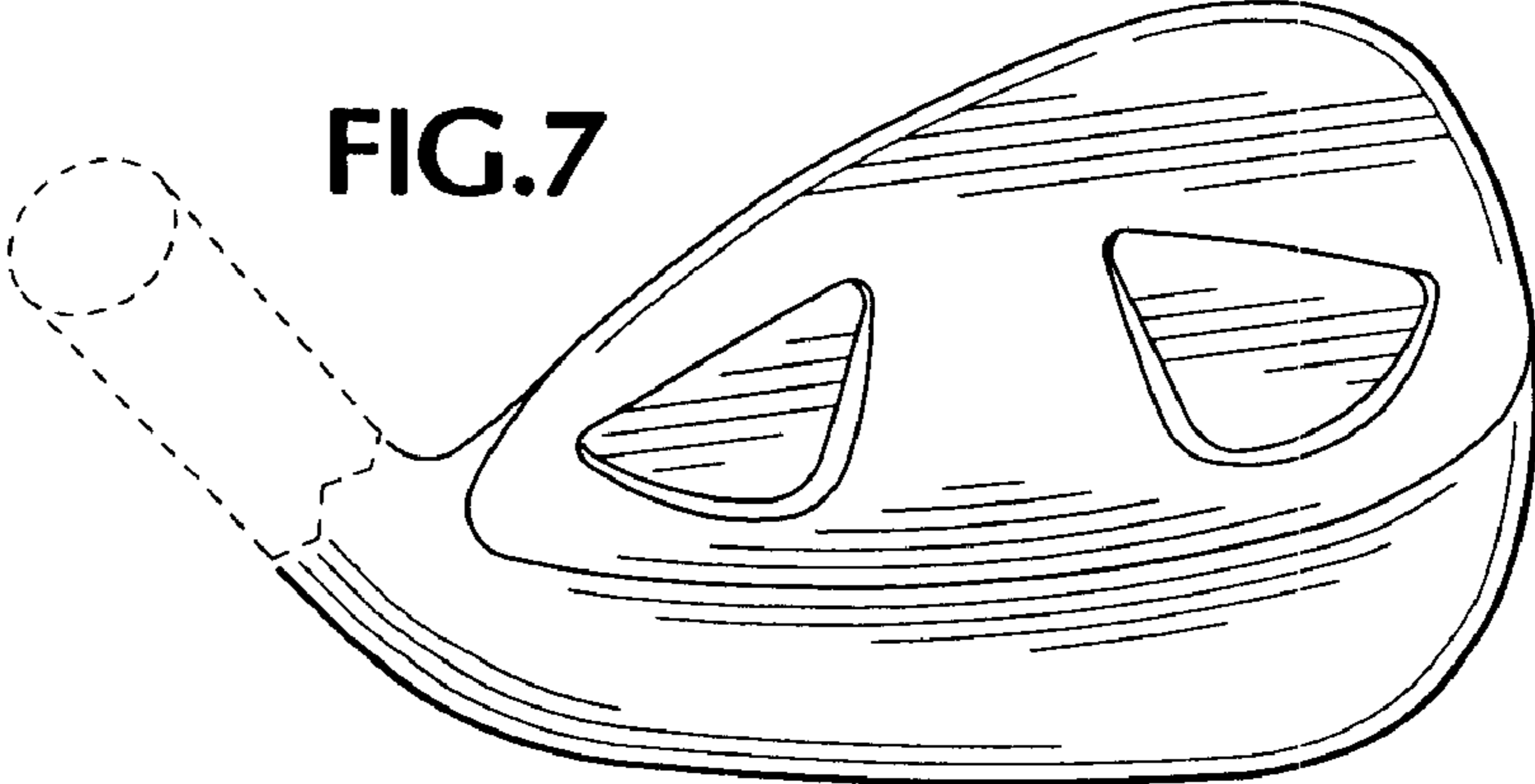


FIG. 7