



US00D531685S

(12) **United States Design Patent**  
**Frankel**

(10) **Patent No.:** **US D531,685 S**

(45) **Date of Patent:** **\*\* Nov. 7, 2006**

(54) **FOOTBALL GOALPOST**

(76) Inventor: **Bruce Frankel**, 1106 Galway Ct.,  
Northbrook, IL (US) 60062

(\*\*) Term: **14 Years**

(21) Appl. No.: **29/252,538**

(22) Filed: **Jan. 24, 2006**

(51) **LOC (8) Cl.** ..... **21-02**

(52) **U.S. Cl.** ..... **D21/699**

(58) **Field of Classification Search** ..... D21/300–305,  
D21/698, 699, 701, 702, 705, 788; 473/415,  
473/416, 422, 439, 470, 476, 477; 273/317.1,  
273/317.5, 348, 398, 399, 402, 407, 408  
See application file for complete search history.

(56) **References Cited**

**U.S. PATENT DOCUMENTS**

3,675,922	A	*	7/1972	Nieland	.....	473/420
3,825,261	A	*	7/1974	Zapos	.....	473/477
3,831,941	A	*	8/1974	Pease	.....	267/116
D275,967	S	*	10/1984	Morano, Jr.	.....	D19/75
4,535,988	A	*	8/1985	Foley	.....	473/477
D324,554	S	*	3/1992	McKinney	.....	D21/699
D347,033	S	*	5/1994	Moretz	.....	D21/699
5,513,843	A	*	5/1996	Russell	.....	473/416
5,558,338	A	*	9/1996	Taub	.....	473/416

D500,105 S \* 12/2004 Szaroletta et al. .... D21/699

\* cited by examiner

*Primary Examiner*—Catherine Tuttle

(74) *Attorney, Agent, or Firm*—Sonnenschein Nath &  
Rosenthal LLP

(57) **CLAIM**

The ornamental design for a football goalpost, as shown and described.

**DESCRIPTION**

FIG. 1 is a perspective view of a football goalpost showing the new design;

FIG. 2 is a top view of a football goalpost as shown in FIG. 1;

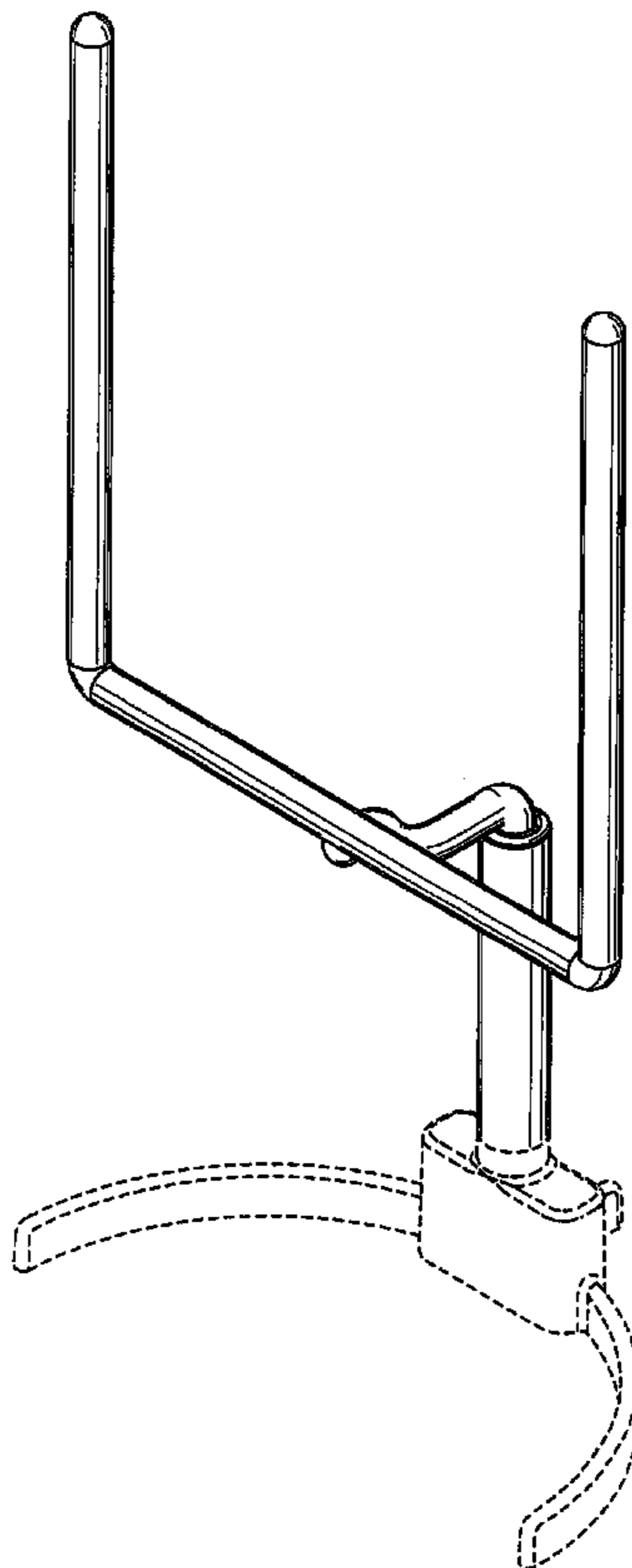
FIG. 3 is a left side elevational view of the football goalpost as shown in FIG. 1, the right side view being a mirror image of the left side view;

FIG. 4 is a front elevational view of the football goalpost as shown in FIG. 1; and,

FIG. 5 is a back elevational view of the football goalpost as shown in FIG. 1.

Features shown in dashed lines immediately adjacent the shaded areas or adjacent the solid lines represent the bounds of the claim and all other dashed lines are for illustrative purposes only. None of the dashed lines form a part of the claimed design.

**1 Claim, 5 Drawing Sheets**



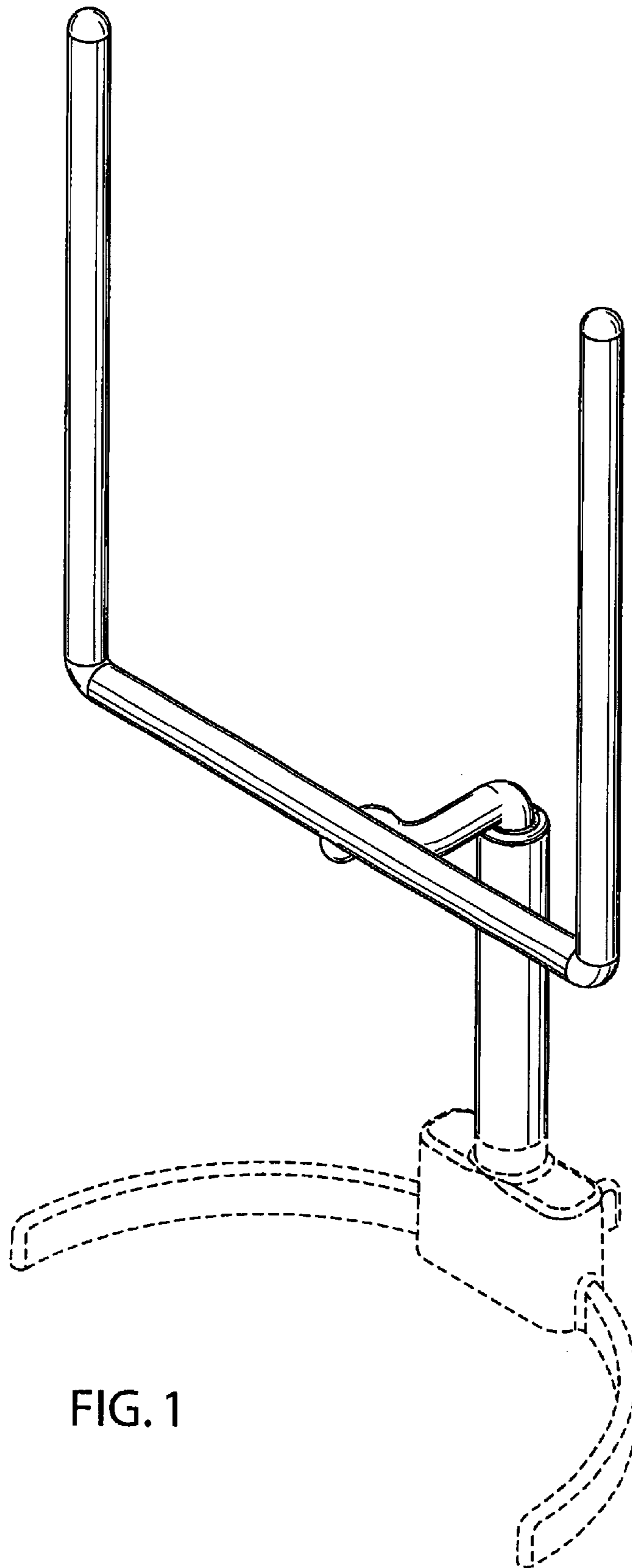


FIG. 1

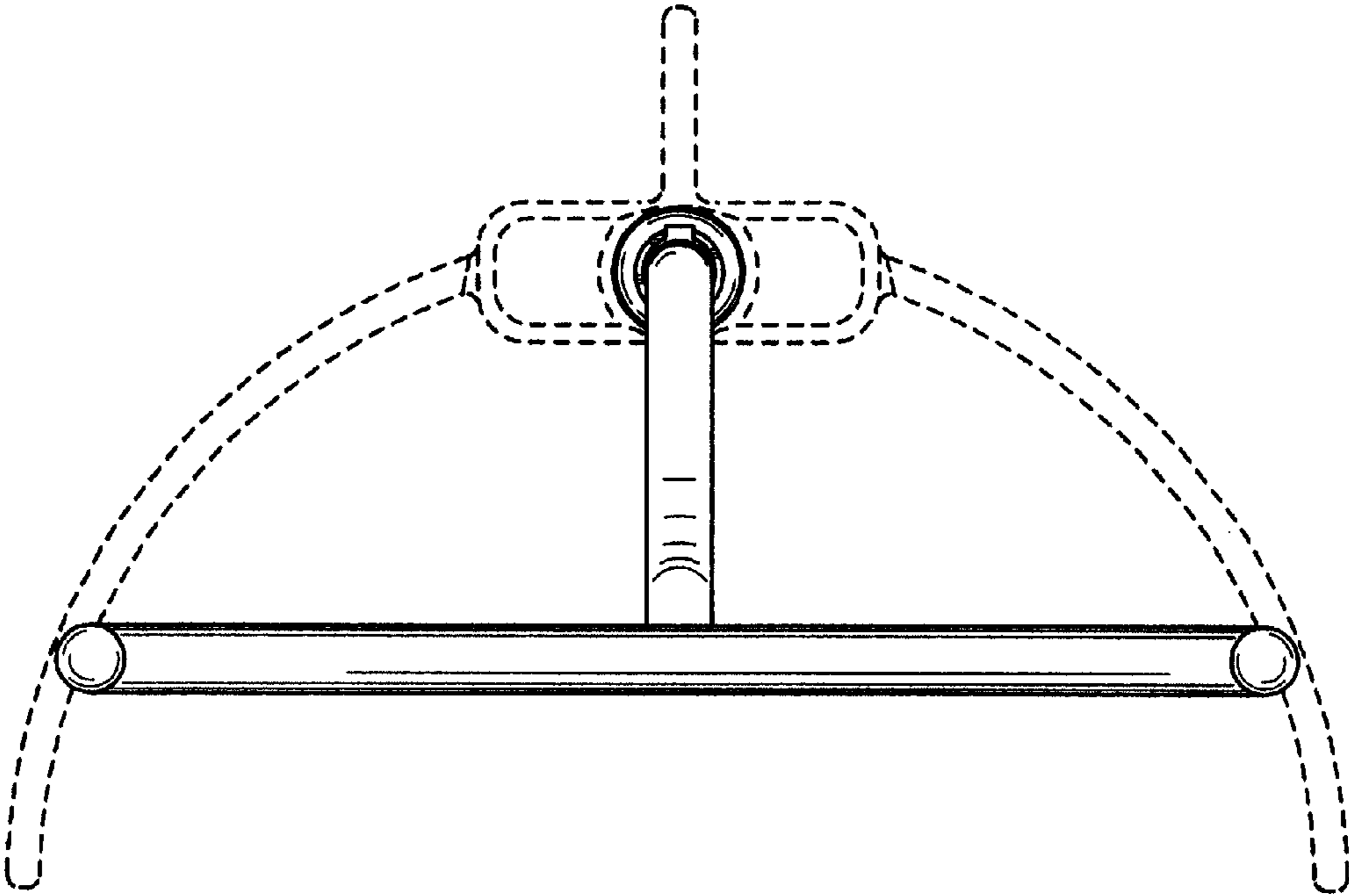


FIG. 2

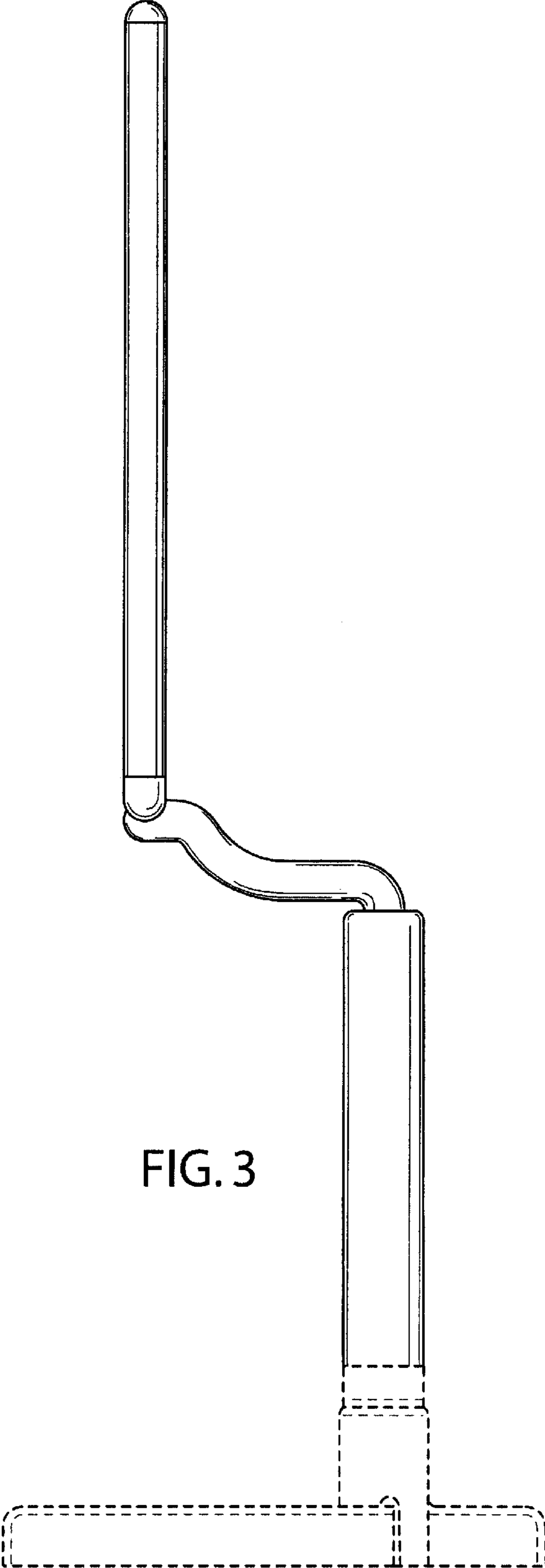


FIG. 3

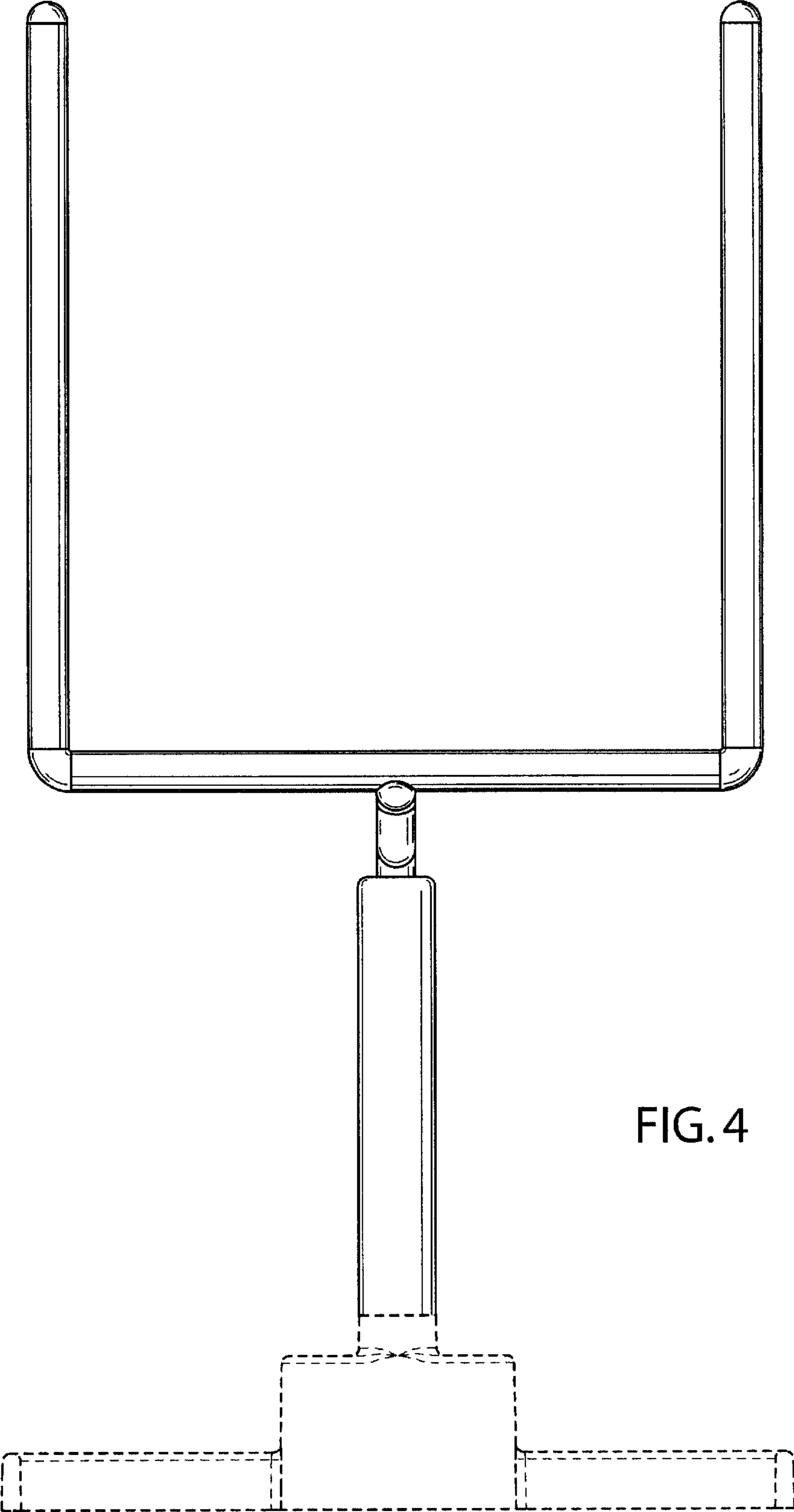


FIG. 4

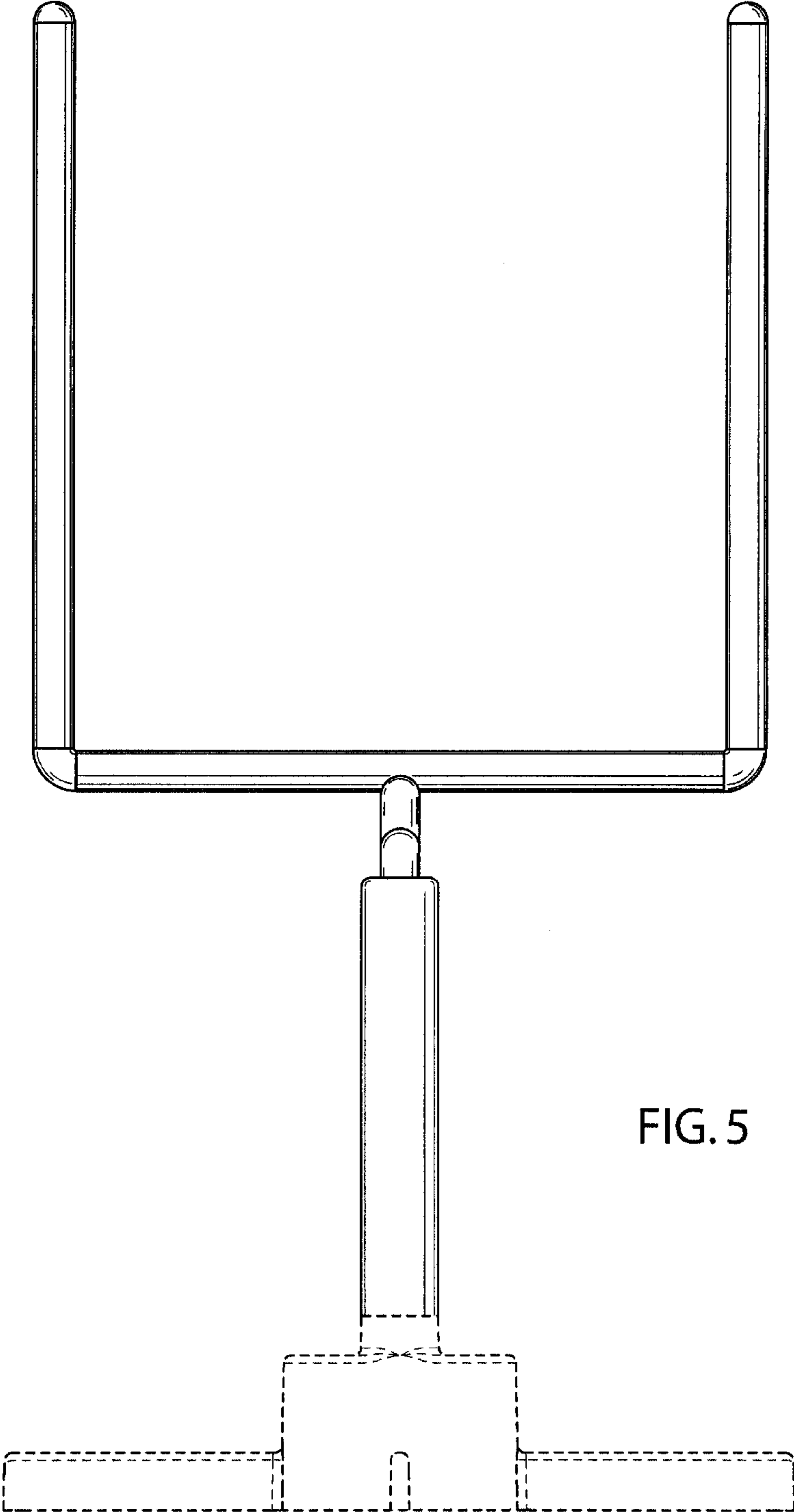


FIG. 5