



US00D531684S

(12) **United States Design Patent** (10) **Patent No.:** **US D531,684 S**
Bouffard et al. (45) **Date of Patent:** **** Nov. 7, 2006**

(54) **FRAMELESS PORTABLE SUSPENSION SYSTEM**

5,562,288 A 10/1996 Erkebaev

(Continued)

(76) Inventors: **Rafael P. Bouffard**, 10 Lake Helix Dr., La Mesa, CA (US) 91941; **Barton G. Dunlevy**, 9812 Bonnie Vista Dr., La Mesa, CA (US) 91941

Primary Examiner—Catherine Tuttle
(74) *Attorney, Agent, or Firm*—Stephen C. Beuerle; Procopio Cory Hargraves & Savitch LLP

(**) **Term:** **14 Years**

(57) **CLAIM**

The ornamental design for a frameless portable suspension system, as shown and described.

(21) **Appl. No.:** **29/203,299**

(22) **Filed:** **Apr. 13, 2004**

DESCRIPTION

(51) **LOC (8) Cl.** **21-02**

(52) **U.S. Cl.** **D21/698; D21/699**

(58) **Field of Classification Search** D21/305, D21/698, 699, 705, 706, 839, 840; D20/10, D20/12, 17, 19, 39, 41, 42; D25/38, 45, 53; D8/388, 391–393; 273/398–404, 407, 409, 273/410; 473/415–495, 164, 170, 172, 173, 473/195, 197; 40/610, 611.11, 624, 602–604, 40/606.01, 606.03, 606.11, 606.13, 606.17, 40/607.04, 607.05, 607.06, 607.07; 160/327–329, 160/351, 368.1; 248/545, 460, 530, 533, 248/156, 160, 163.1, 163.2, 165, 351, 507–509; 135/87, 121, 142, 118, 120.4, 901
See application file for complete search history.

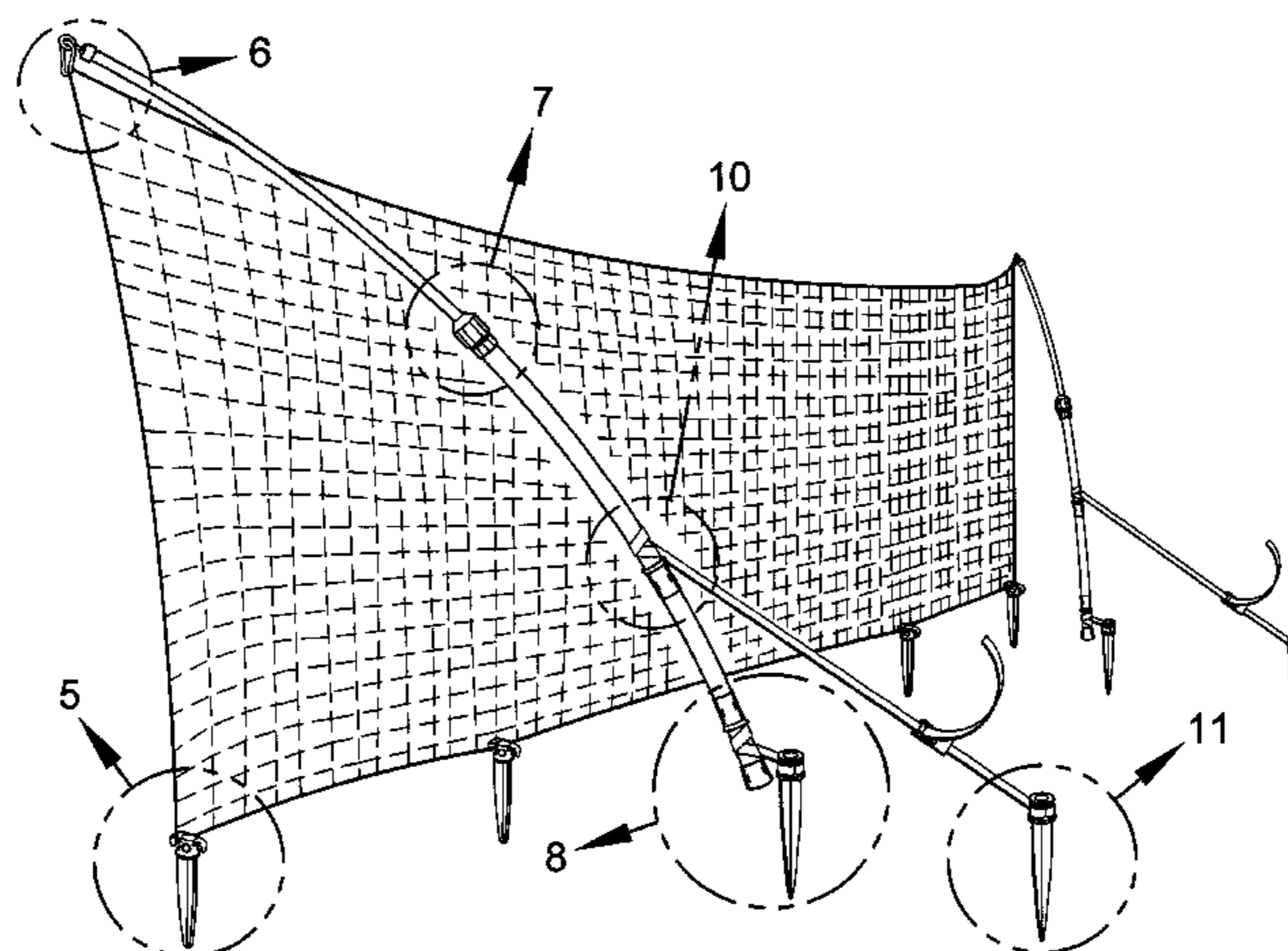
FIG. 1 is a rear perspective view of a frameless portable suspension system showing our new design; FIG. 2 is a rear elevational view thereof; FIG. 3 is a front elevational view thereof; FIG. 4 is a left side elevational view thereof; FIG. 5 is an enlarged fragmentary view taken from area 5 in FIG. 1, which shows the detail of one of the ground anchors connected to the bottom corner of the net; FIG. 6 is an enlarged fragmentary view taken from area 6 in FIG. 1, which shows in detail the upper end of one of the telescoping poles connected to the upper corner of the net; FIG. 7 is an enlarged fragmentary view taken from area 7 of FIG. 1, which shows in detail the telescoping connection portion of one of the telescoping poles; FIG. 8 is an enlarged fragmentary view taken from area 8 in FIG. 1; which shows in detail the lower end of one of the telescoping poles together with one of the ground anchors and high-strength straps; FIG. 9 is a top plan view of the overall design; FIG. 10 is an enlarged fragmentary view taken from area 10 of FIG. 1, which shows in detail the connection section of the telescoping pole together with the upper end of the adjustable strap; and, FIG. 11 is an enlarged fragmentary view taken from area 11 of FIG. 1, which shows in detail the lower end of one of the adjustable straps connected to the ground anchor.
The broken lines shown in FIGS. 1–11 are included for the purpose of illustrating environmental elements only and form no part of the claimed design.

(56) **References Cited**

U.S. PATENT DOCUMENTS

965,097 A	*	7/1910	Fisher	40/603
1,566,945 A		12/1925	Winkley	
1,602,441 A	*	10/1926	Mallery	273/404
3,001,795 A		9/1961	Johnson, Jr.	
3,184,235 A	*	5/1965	Hilbrich	473/421
3,195,898 A		7/1965	Respini	
3,856,301 A		12/1974	Davidson	
4,127,267 A		11/1978	Bay et al.	
4,264,070 A		4/1981	Torres	
4,986,389 A	*	1/1991	Halligan et al.	182/138
5,263,468 A	*	11/1993	Powell	126/204
5,342,063 A		8/1994	O'Brien et al.	
5,407,211 A		4/1995	Bottiglieri	
5,487,402 A	*	1/1996	Clary	135/87

1 Claim, 5 Drawing Sheets



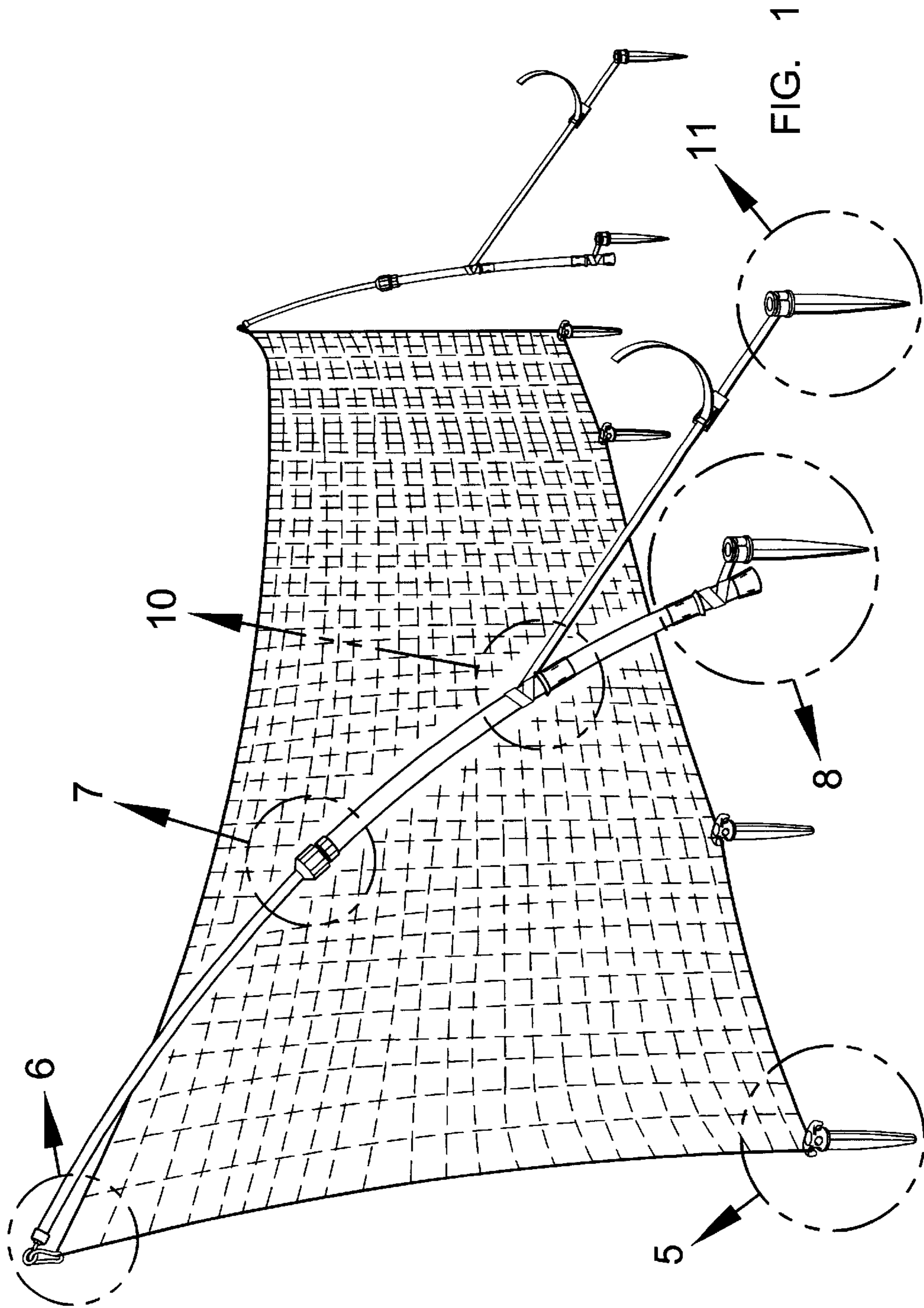
US D531,684 S

Page 2

U.S. PATENT DOCUMENTS

5,690,339	A	11/1997	Chen			
5,810,363	A	* 9/1998	Saunders et al.	273/407	
D434,806	S	* 12/2000	Justen et al.	D20/10	
6,336,599	B1	* 1/2002	Herr et al.	239/522	
6,454,227	B1	* 9/2002	LaMotte	248/165	
6,938,384	B1	* 9/2005	Hodge	52/155	
						2001/0034274 A1 10/2001 Tulipani et al.
						2002/0013187 A1 1/2002 Grunfeld
						2002/0030324 A1 3/2002 Macaluso
						2002/0119842 A1 8/2002 Vermeulen
						2003/0226495 A1 * 12/2003 Courtemanche 116/63 P

* cited by examiner



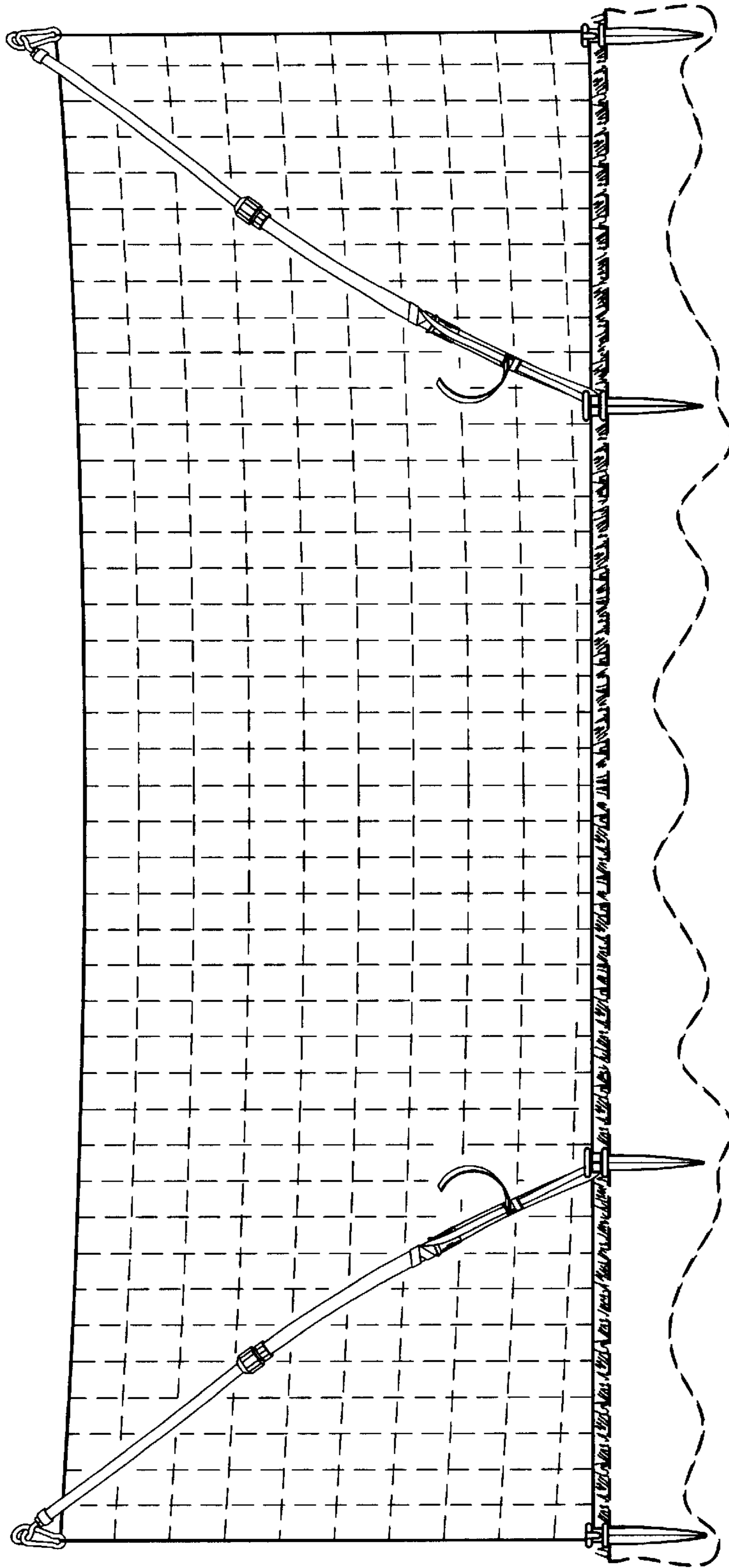


FIG. 2

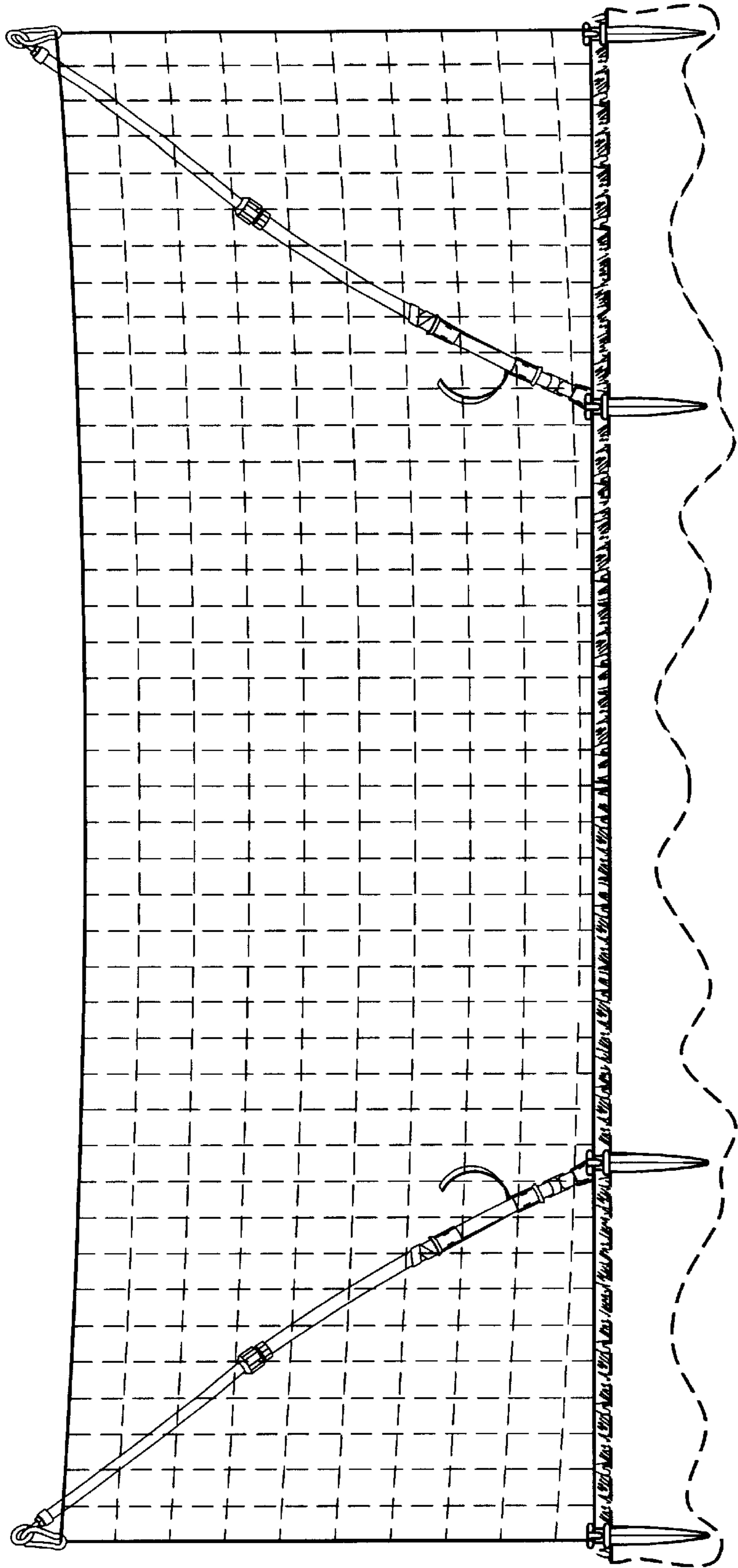


FIG. 3

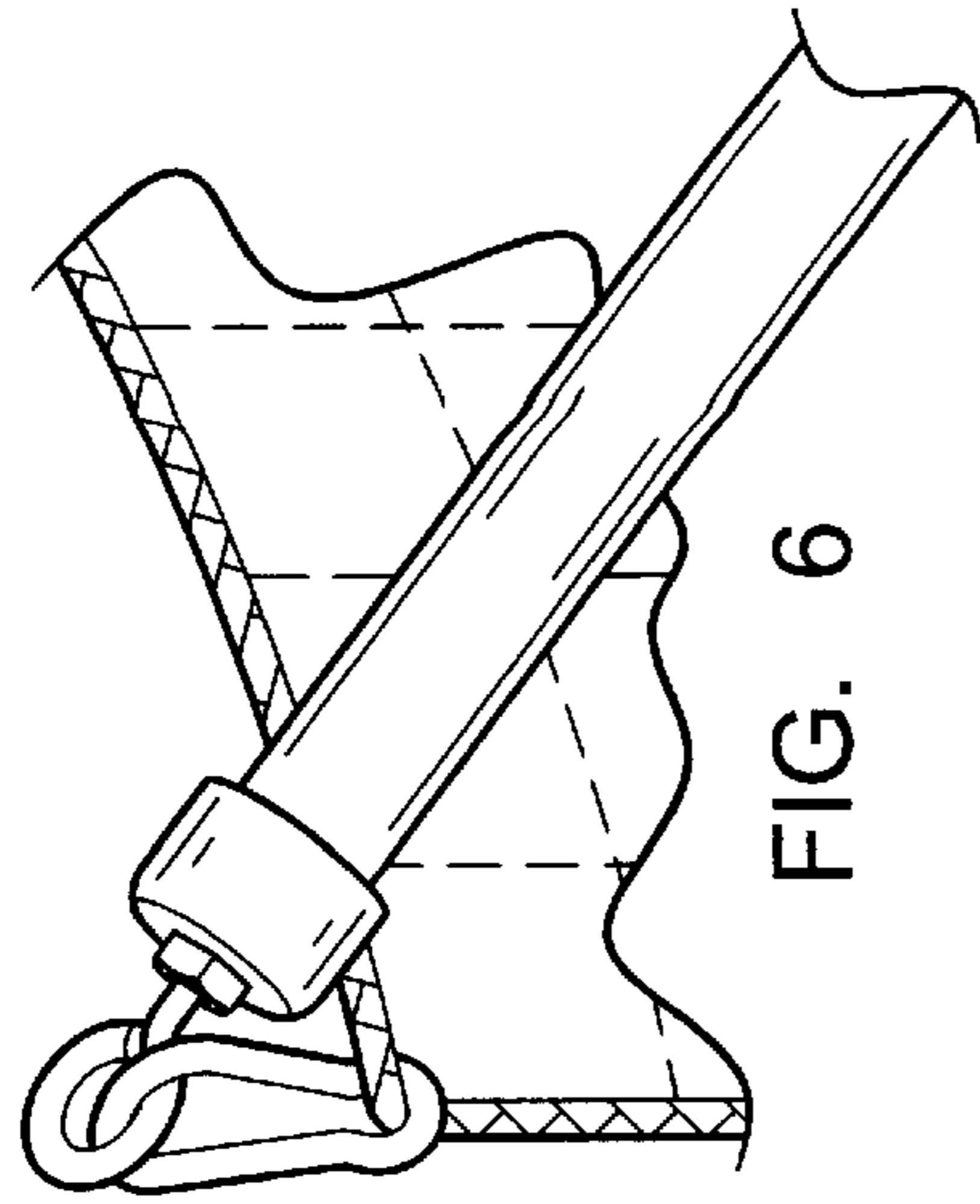


FIG. 6

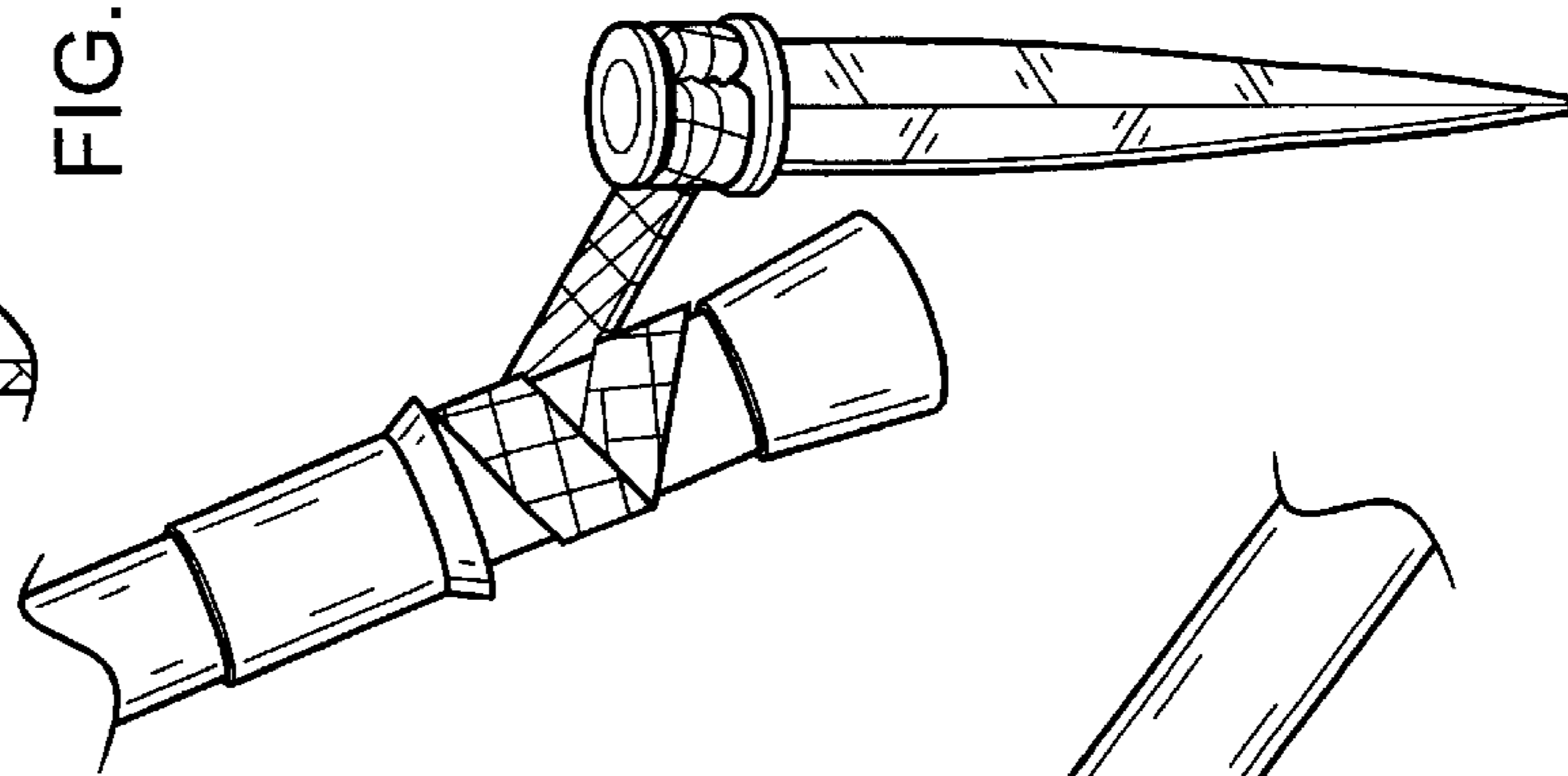


FIG. 8

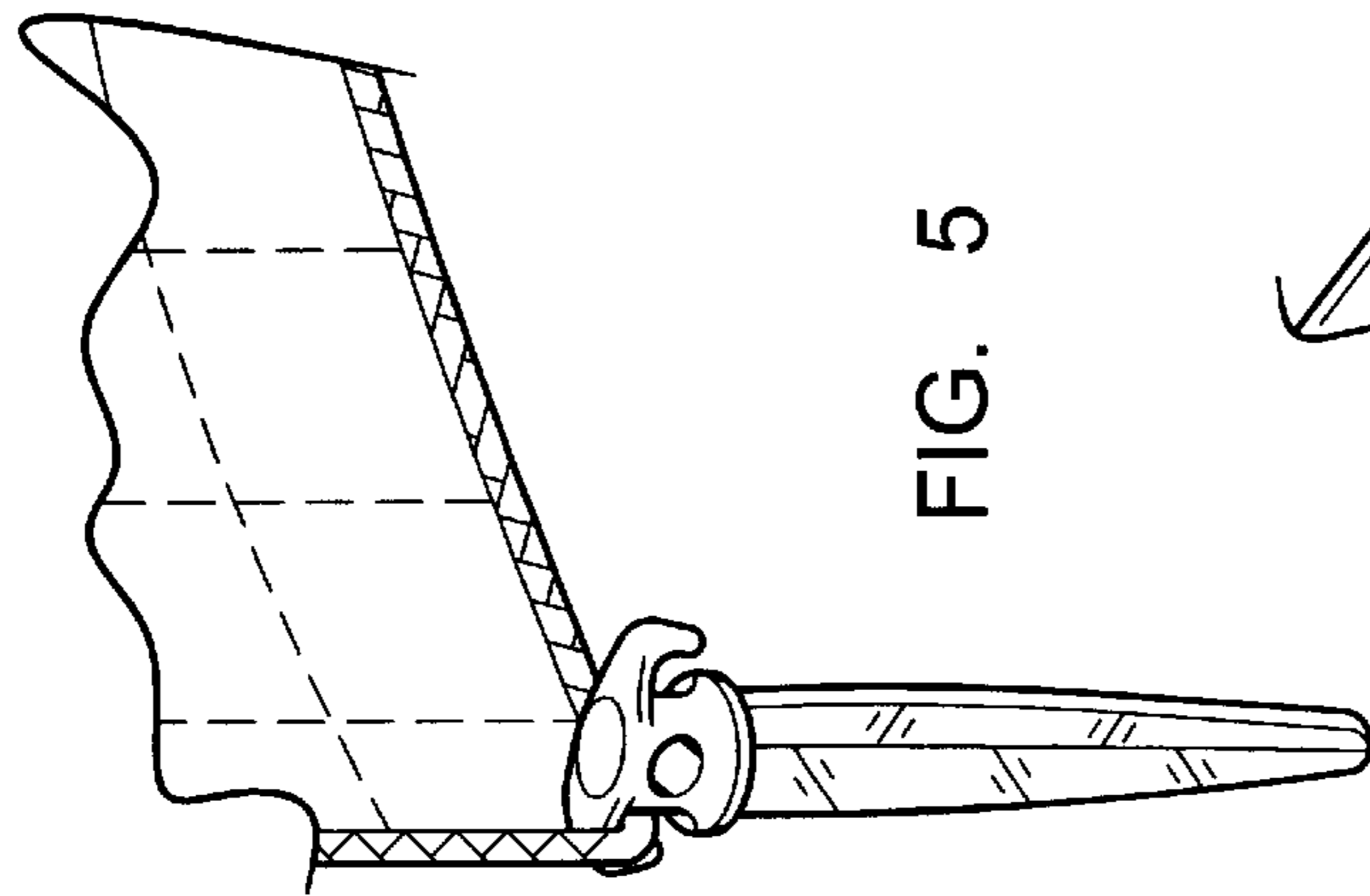


FIG. 5

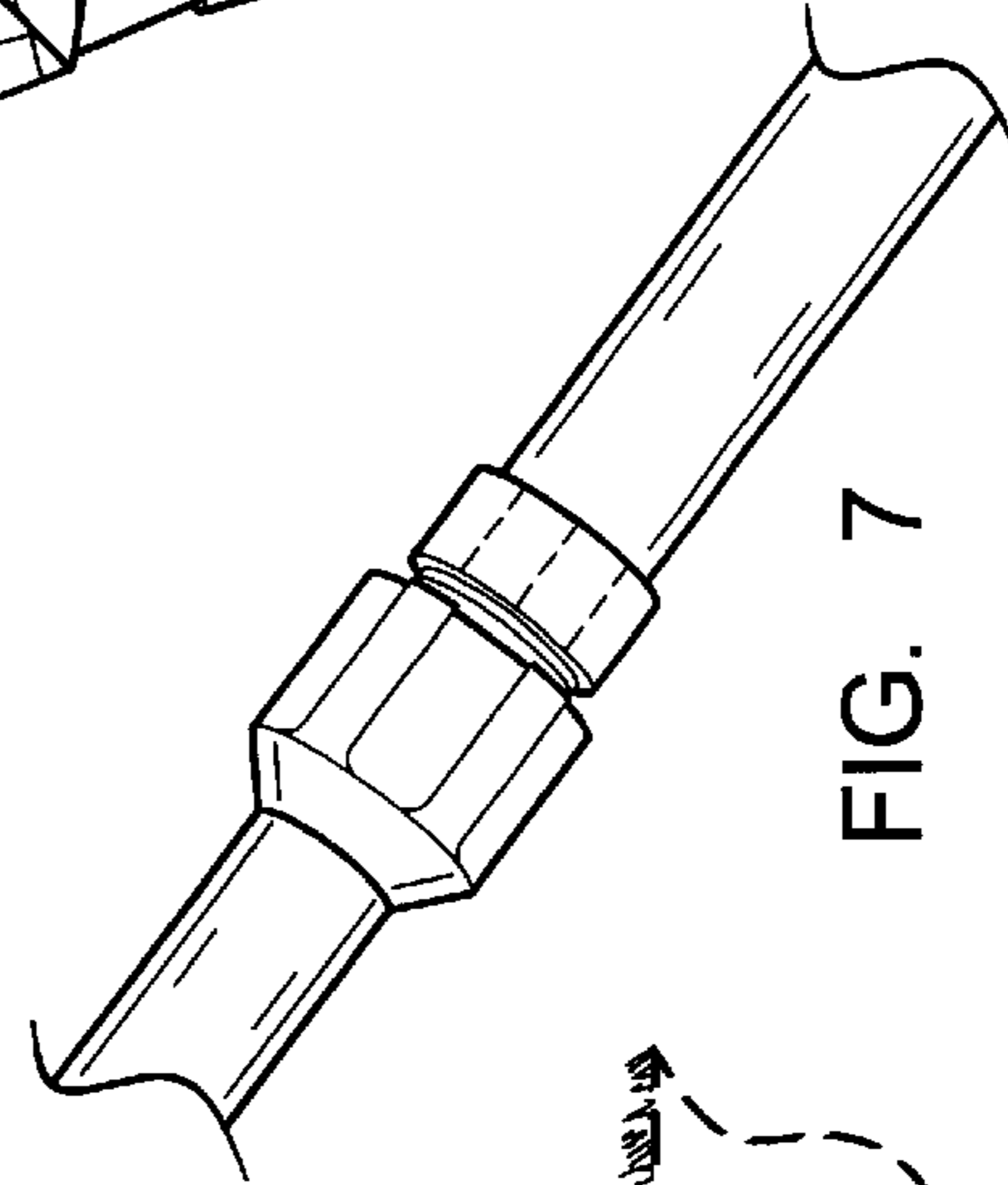


FIG. 7

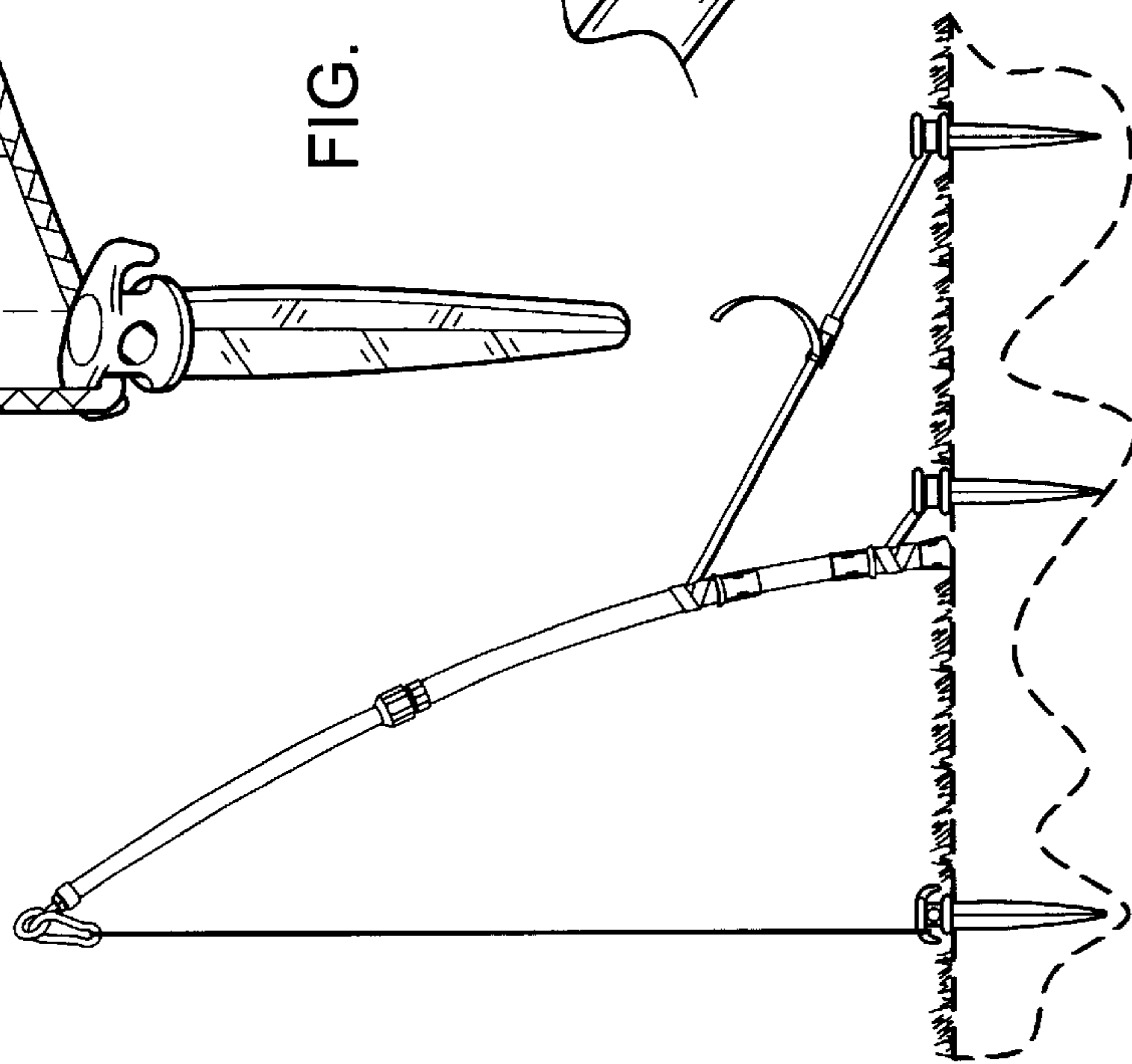


FIG. 4

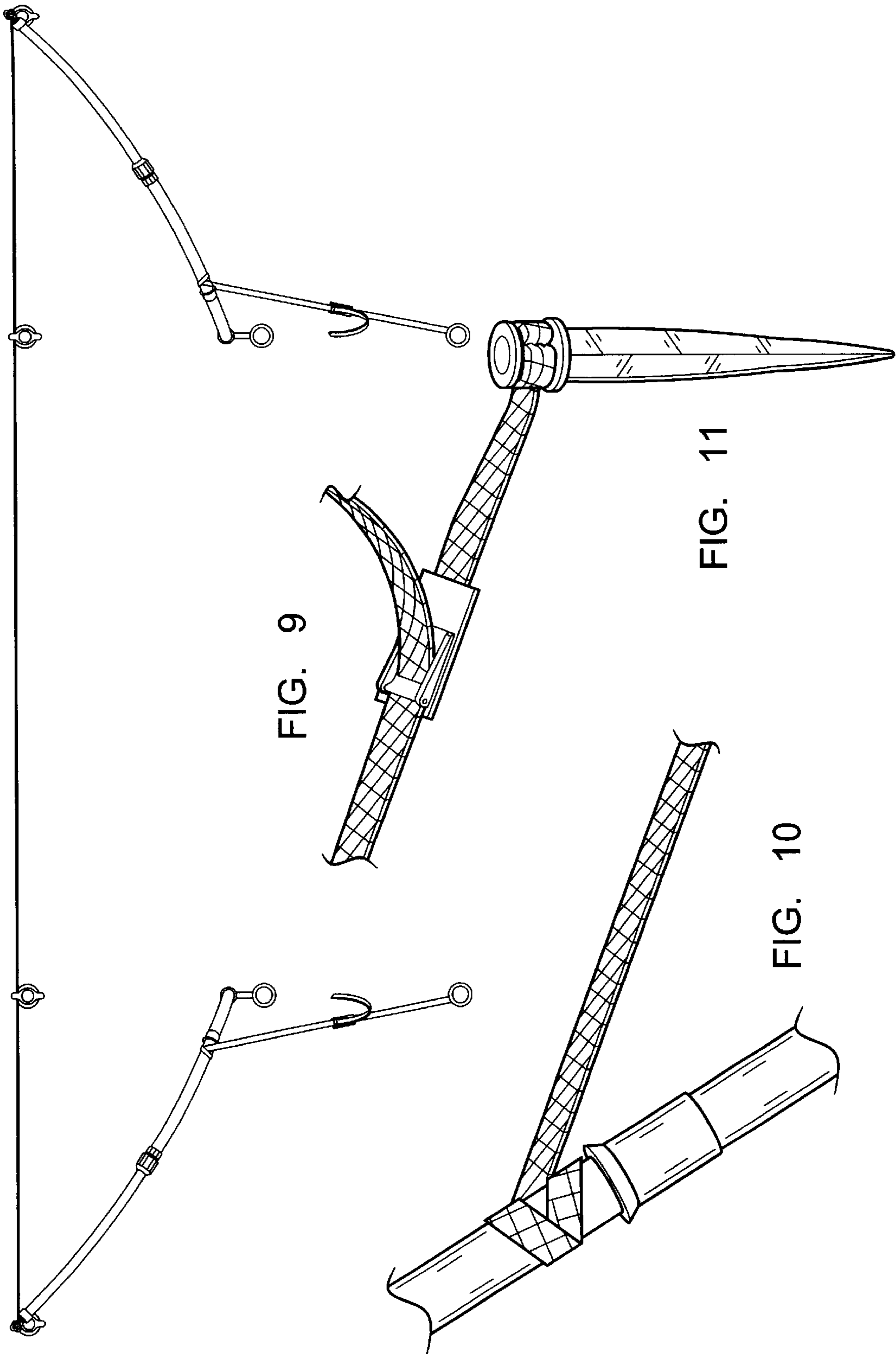


FIG. 9

FIG. 11

FIG. 10