



US00D531678S

(12) **United States Design Patent**  
**Chen**

(10) **Patent No.:** **US D531,678 S**

(45) **Date of Patent:** **\*\* Nov. 7, 2006**

(54) **SCOOTER FRAME WITH A WHEEL**

(75) Inventor: **Ting-Hsing Chen**, Tainan Hsien (TW)

(73) Assignee: **Far Great Plastic Industrial Co., Ltd.**,  
Tainan Hsien (TW)

(\*\*) Term: **14 Years**

(21) Appl. No.: **29/223,021**

(22) Filed: **Feb. 9, 2005**

(51) **LOC (8) Cl.** ..... **21-01**

(52) **U.S. Cl.** ..... **D21/423**

(58) **Field of Classification Search** ..... D21/423,  
D21/111, 421-424, 435, 533, 760, 765, 771,  
D21/779, 763, 419; D12/110-112, 115, 117,  
D12/107; 280/87.021, 87.041, 229, 274-279,  
280/281.1, 282, 283, 287, 288, 288.1, 288.3,  
280/280.1; 180/180, 181

See application file for complete search history.

(56) **References Cited**

**U.S. PATENT DOCUMENTS**

3,355,185	A	*	11/1967	Carter	.....	280/11.226
4,844,492	A	*	7/1989	Ludwig	.....	280/11.227
D420,942	S	*	2/2000	Chen	.....	D12/111
D452,885	S	*	1/2002	Chen	.....	D21/423
D459,762	S	*	7/2002	Chen	.....	D21/423
D474,815	S	*	5/2003	Chen	.....	D21/423
D475,755	S	*	6/2003	Chen	.....	D21/423

D476,042	S	*	6/2003	Hsieh	.....	D21/423
D480,023	S	*	9/2003	Hsaio	.....	D12/112
D481,422	S	*	10/2003	Chen	.....	D21/423
D495,759	S	*	9/2004	Chen	.....	D21/423
D495,760	S	*	9/2004	Chen	.....	D21/423

**OTHER PUBLICATIONS**

Fisher-Price holiday 2001 cat. p. 15.\*  
Sensational Beginnings holiday 2001 cat. p. 51.\*

\* cited by examiner

*Primary Examiner*—Raphael Barkai  
*Assistant Examiner*—Randall H. Gholson  
(74) *Attorney, Agent, or Firm*—Rosenberg, Klein & Lee

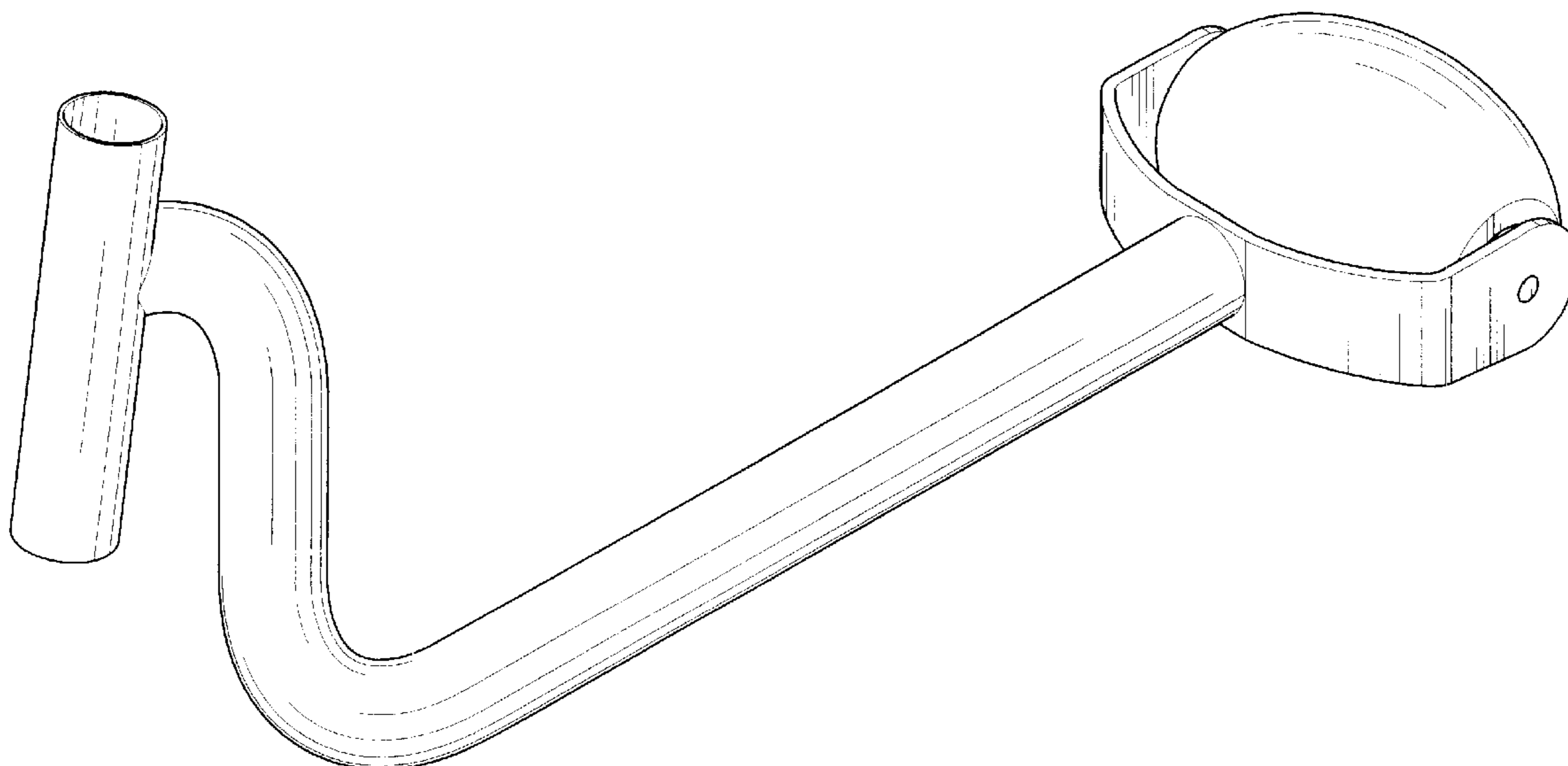
(57) **CLAIM**

I claim the ornamental design for a scooter frame with a wheel, as shown and described.

**DESCRIPTION**

FIG. 1 is a perspective view of a scooter frame with a wheel showing my present design;  
FIG. 2 is a front view thereof;  
FIG. 3 is a rear view thereof;  
FIG. 4 is a left view thereof;  
FIG. 5 is a right view thereof;  
FIG. 6 is a top plan view thereof; and,  
FIG. 7 is a bottom plan view.

**1 Claim, 5 Drawing Sheets**



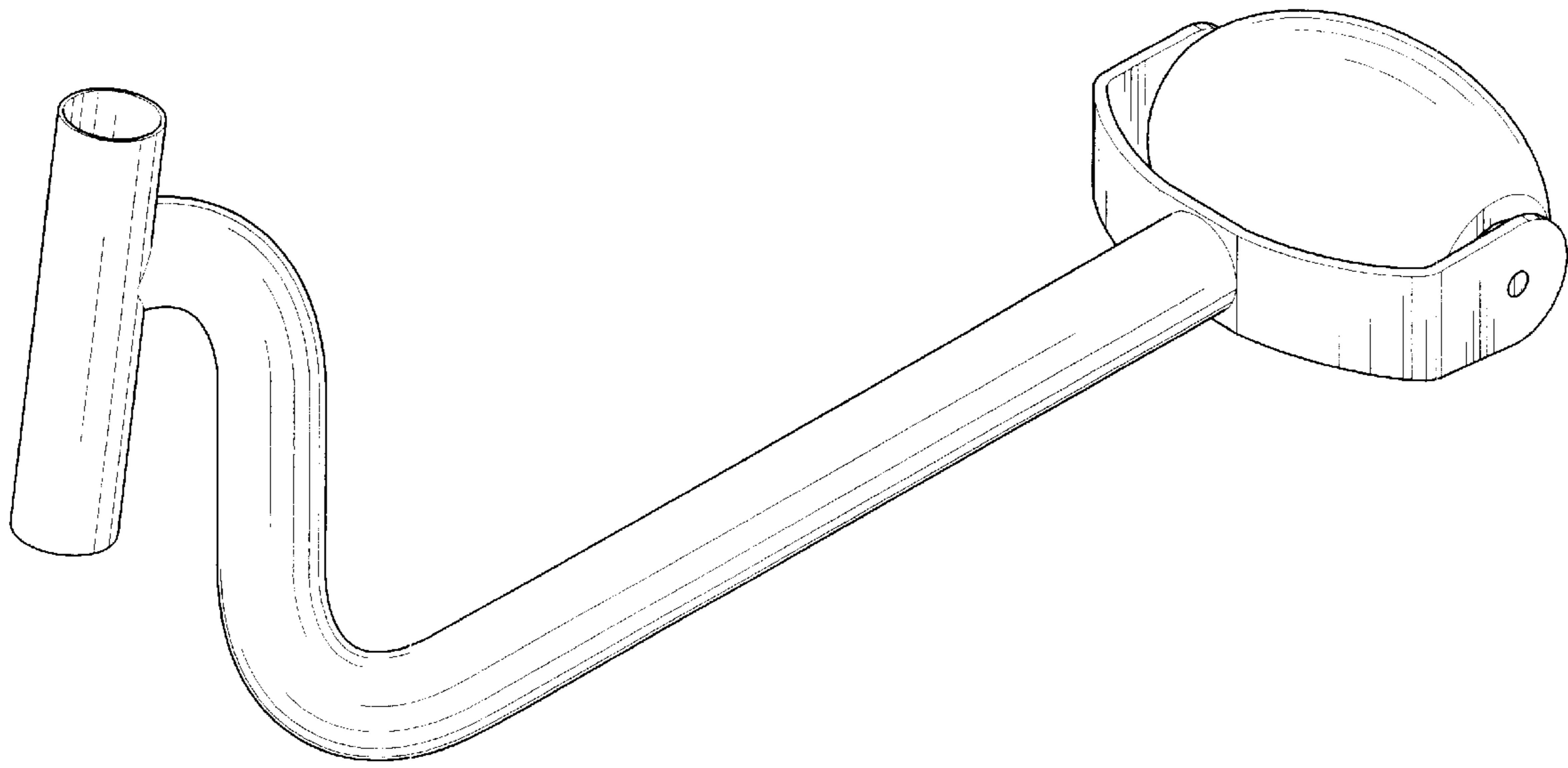


FIG. 1

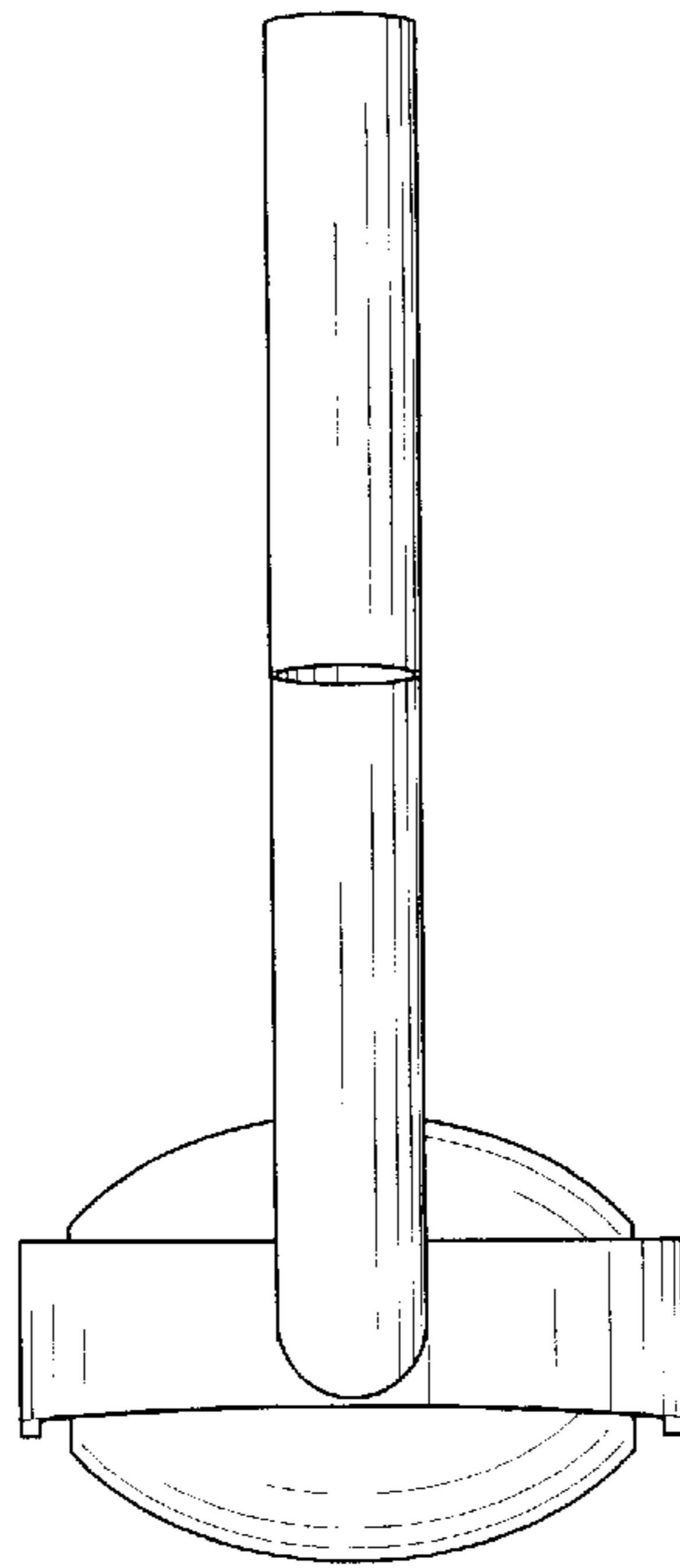


FIG. 2

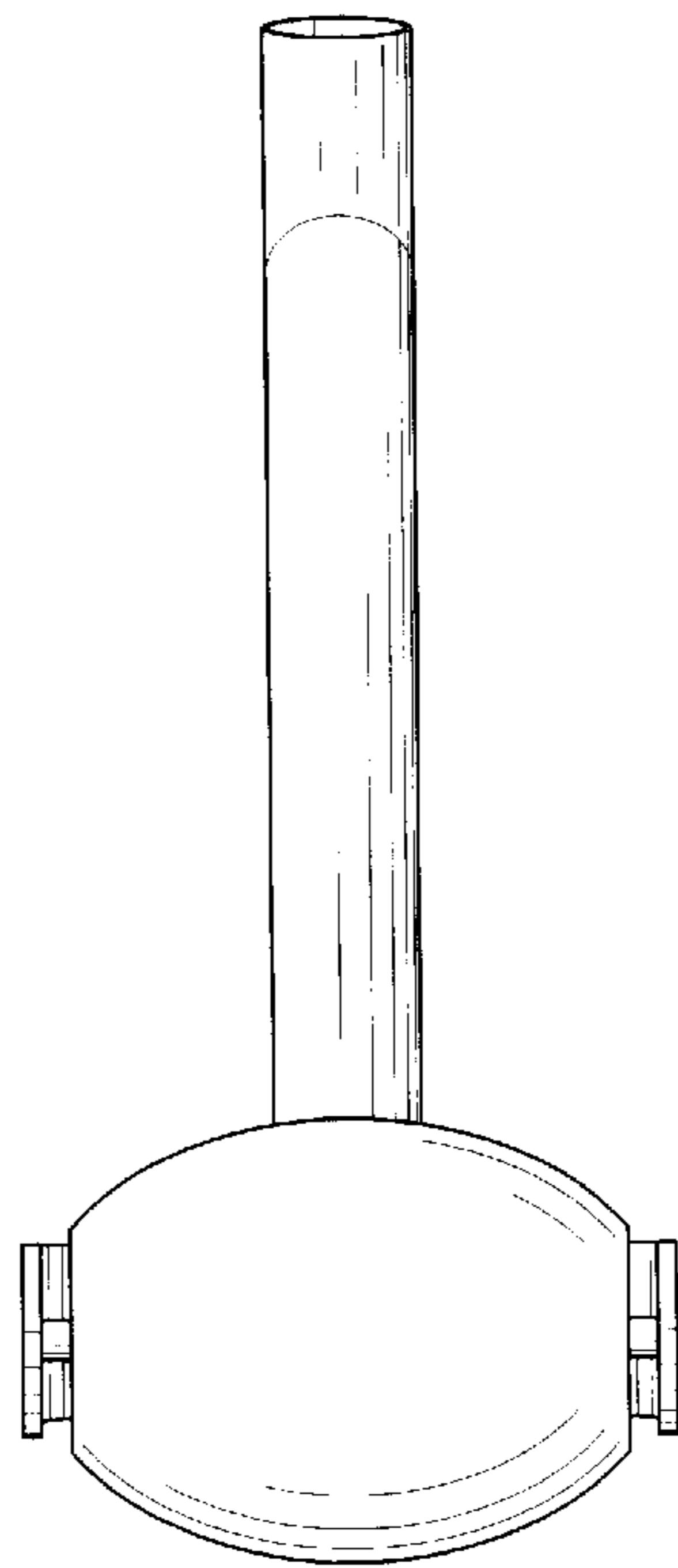


FIG. 3

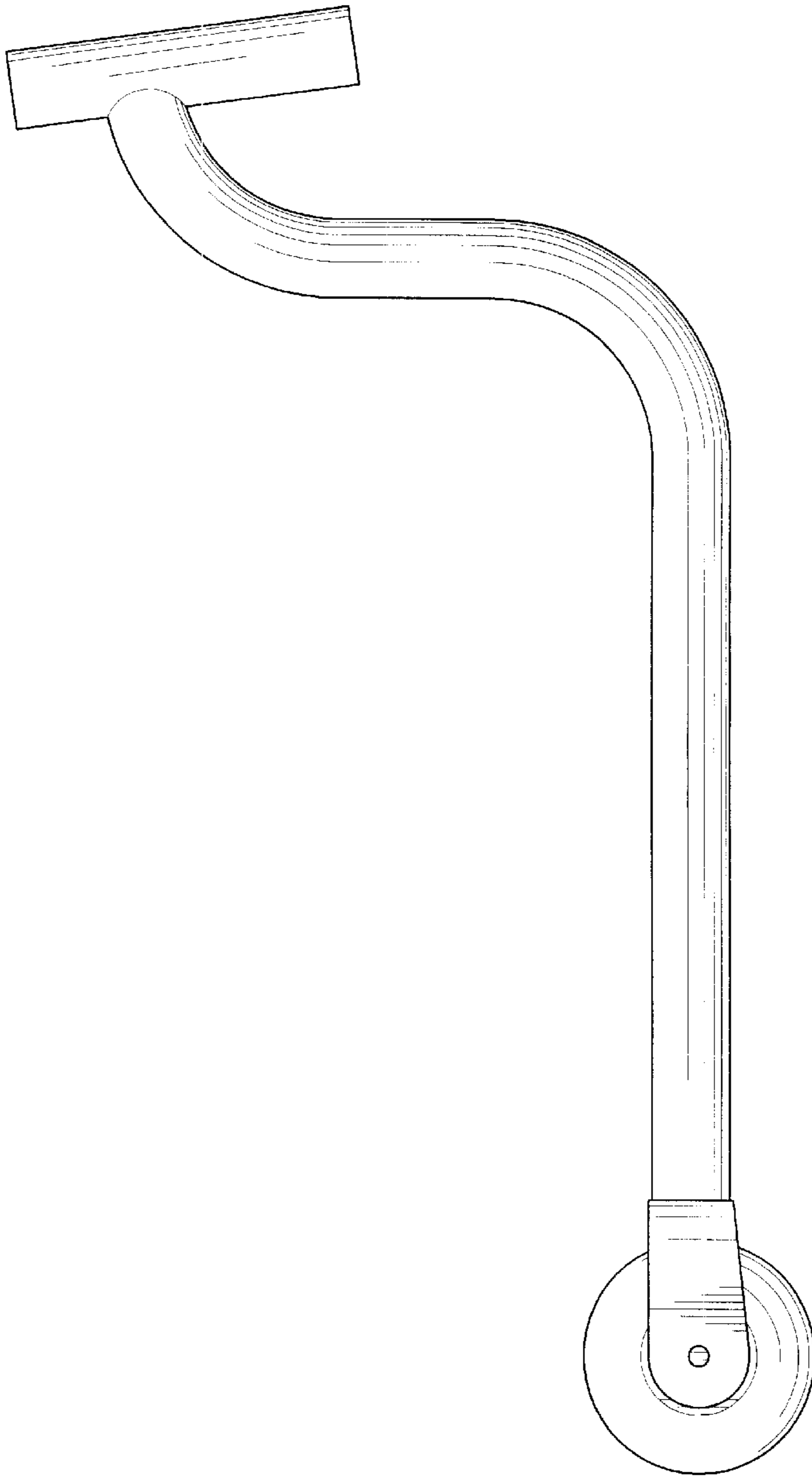


FIG. 4

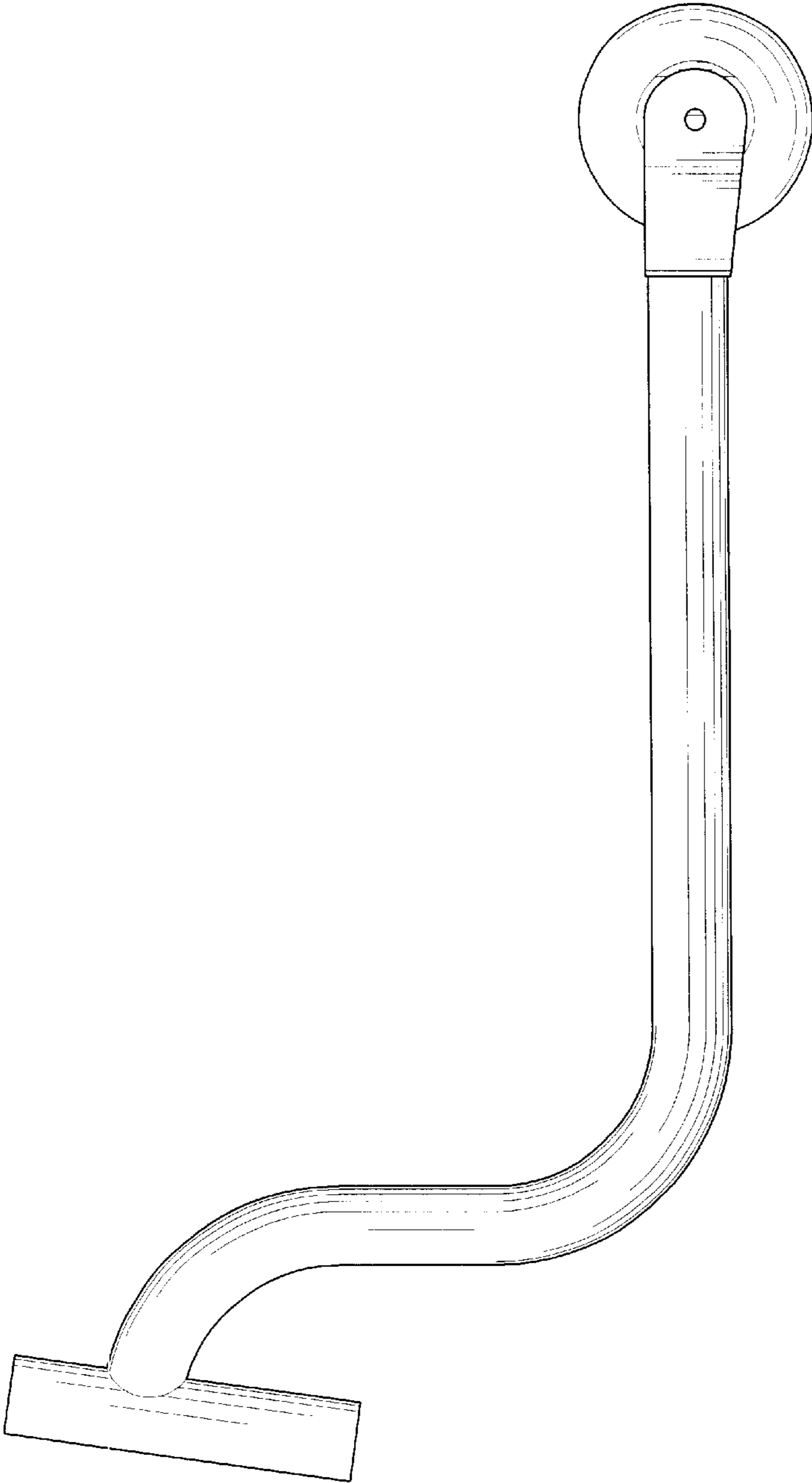


FIG. 5

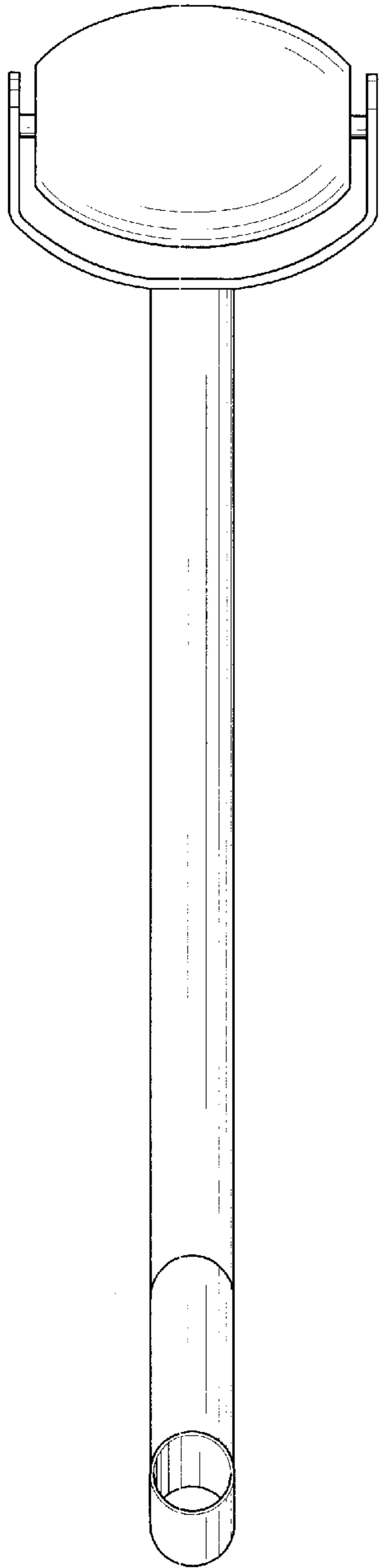


FIG. 6

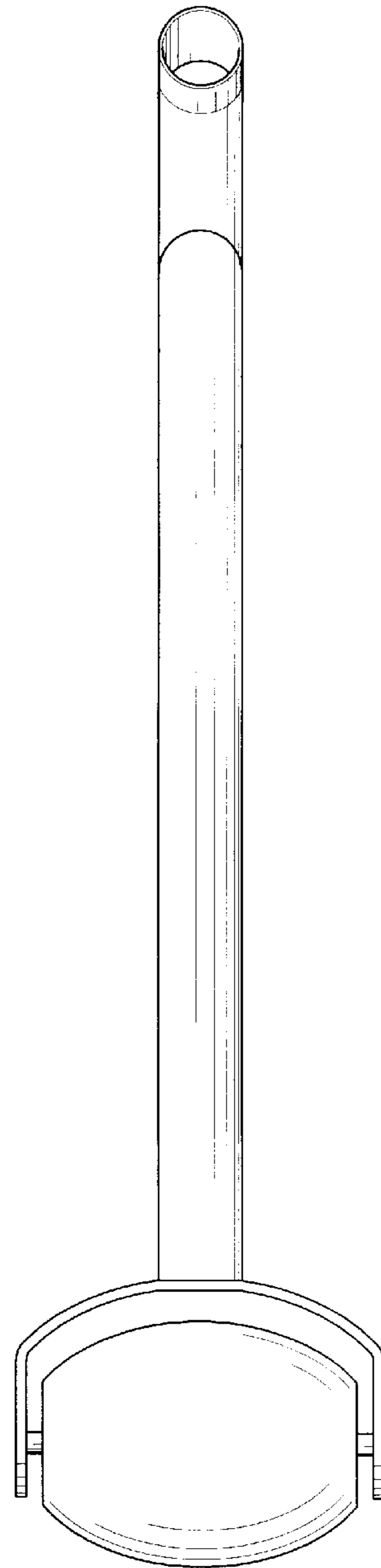


FIG. 7